

US00D756053S

(12) **United States Design Patent**
Nolet

(10) **Patent No.:** **US D756,053 S**

(45) **Date of Patent:** **** May 10, 2016**

(54) **CONTAINER LID**

(71) Applicant: **IPL INC.**, St-Damien (CA)

(72) Inventor: **Roch Nolet**, St-Joseph (CA)

(73) Assignee: **IPL INC.**, St-Damien (CA)

(**) Term: **15 Years**

(21) Appl. No.: **29/529,473**

(22) Filed: **Jun. 8, 2015**

(51) **LOC (10) Cl.** **09-09**

(52) **U.S. Cl.**
USPC **D34/11**

(58) **Field of Classification Search**
USPC D34/1-11; 220/98, 252, 263, 343, 334,
220/337, 404, 708, 709, 910
CPC B65F 1/10; B65F 1/14; B65F 1/122
See application file for complete search history.

(56) **References Cited**

U.S. PATENT DOCUMENTS

- D388,577 S * 12/1997 Rehrig D34/5
- D410,125 S * 5/1999 Rehrig D34/11
- 5,899,468 A * 5/1999 Apps B65F 1/14
220/371
- D461,291 S * 8/2002 Kaminski D34/11
- D657,106 S * 4/2012 Talbot Pouliot D34/5

- D707,905 S * 6/2014 Nolet D34/5
- D707,908 S * 6/2014 Nolet D34/5
- D707,910 S * 6/2014 Nolet D34/11
- D707,911 S * 6/2014 Nolet D34/11
- 2003/0213808 A1 * 11/2003 Berger B65F 1/122
220/832

* cited by examiner

Primary Examiner — Cynthia Ramirez

(74) *Attorney, Agent, or Firm* — Goudreau Gage Dubuc;
Gwendoline Bruneau

(57) **CLAIM**

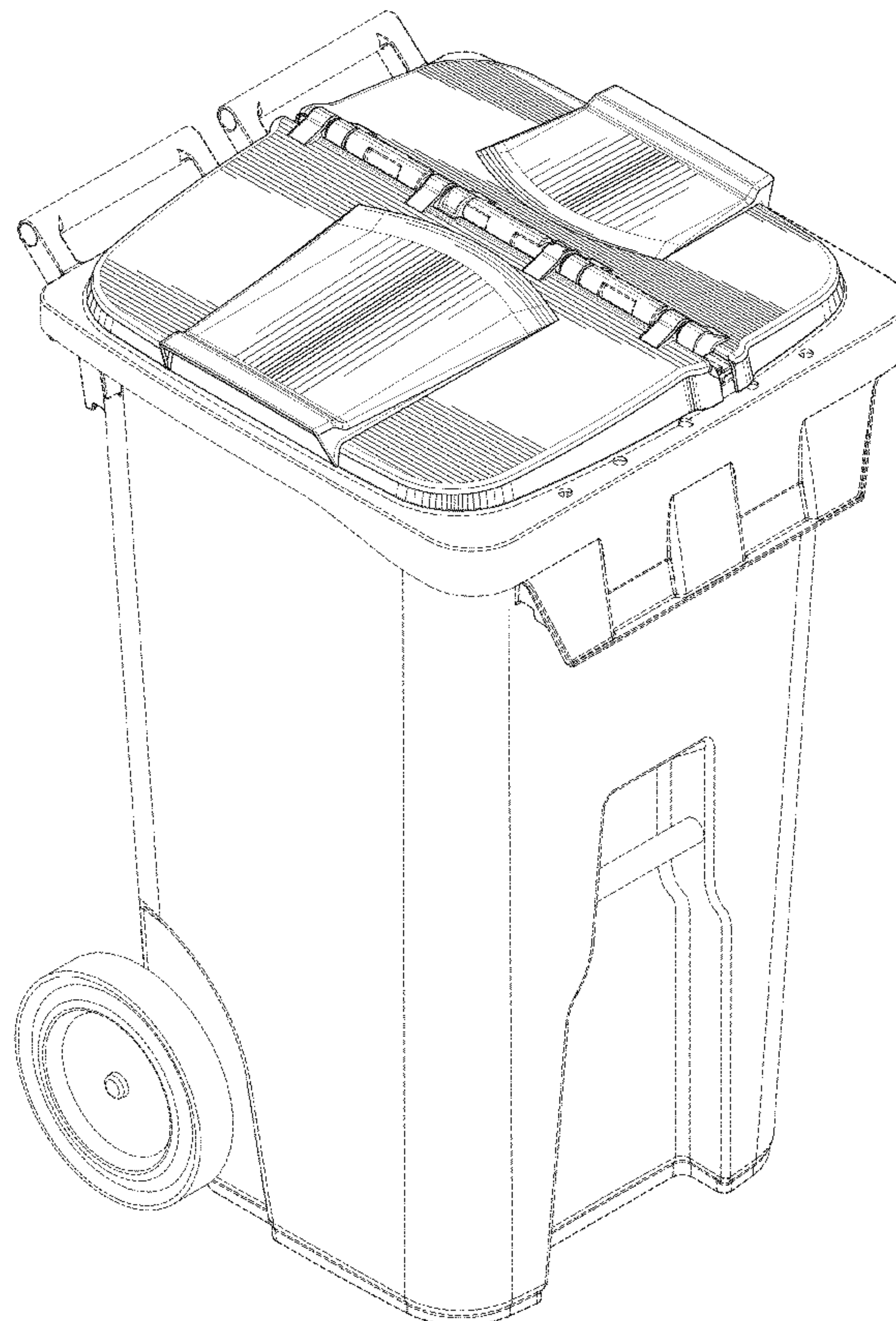
The ornamental design for a container lid, as shown and described.

DESCRIPTION

FIG. 1 is a perspective view of a container lid showing my new design;
FIG. 2 is a top view thereof;
FIG. 3 is a front view thereof;
FIG. 4 is a side view thereof;
FIG. 5 is the other side thereof;
FIG. 6 is a rear view thereof; and
FIG. 7 is a bottom view thereof.

The broken lines shown in the figures are included for the purpose of illustrating environment and forms no part of the claimed design.

1 Claim, 4 Drawing Sheets



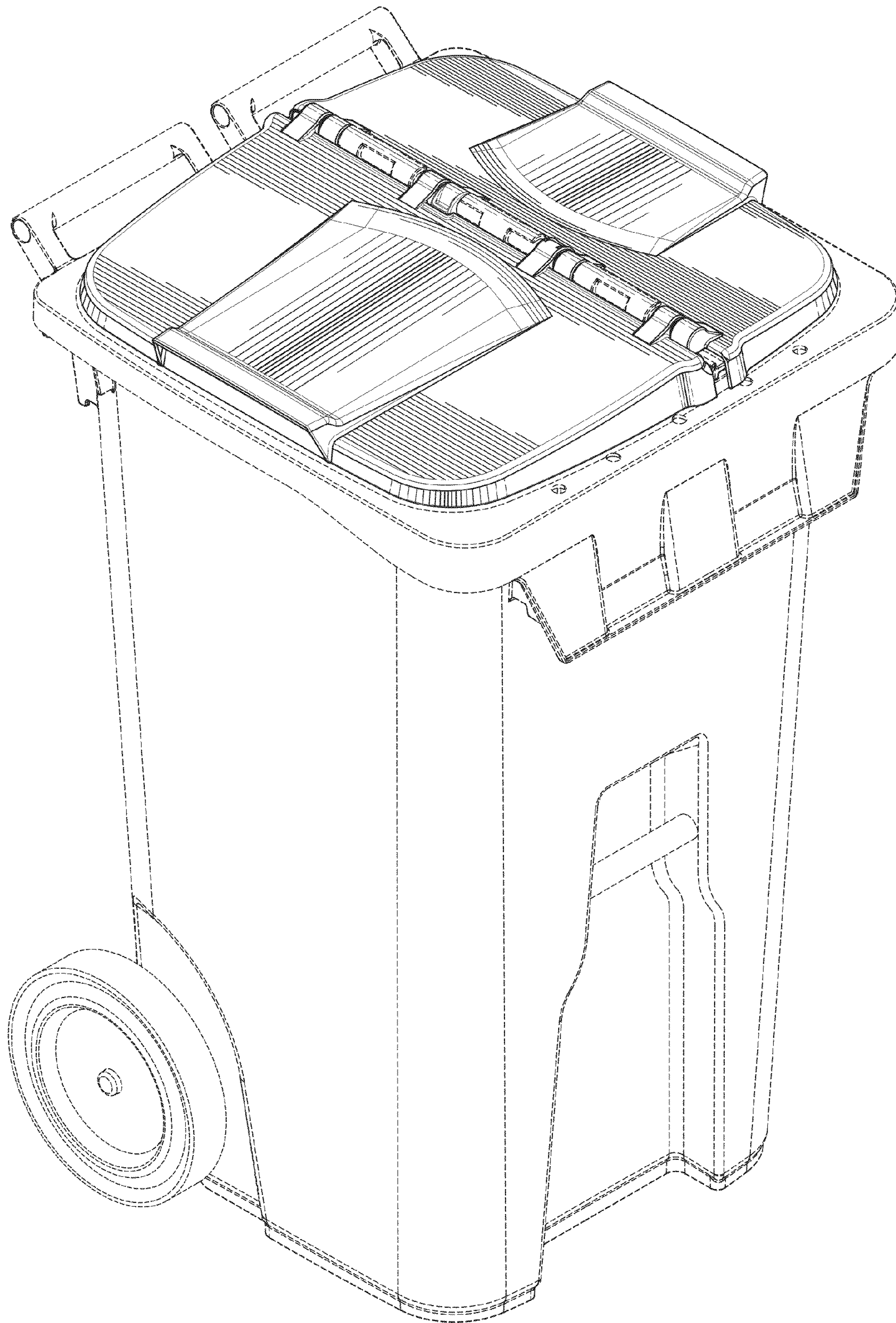


FIG. 1

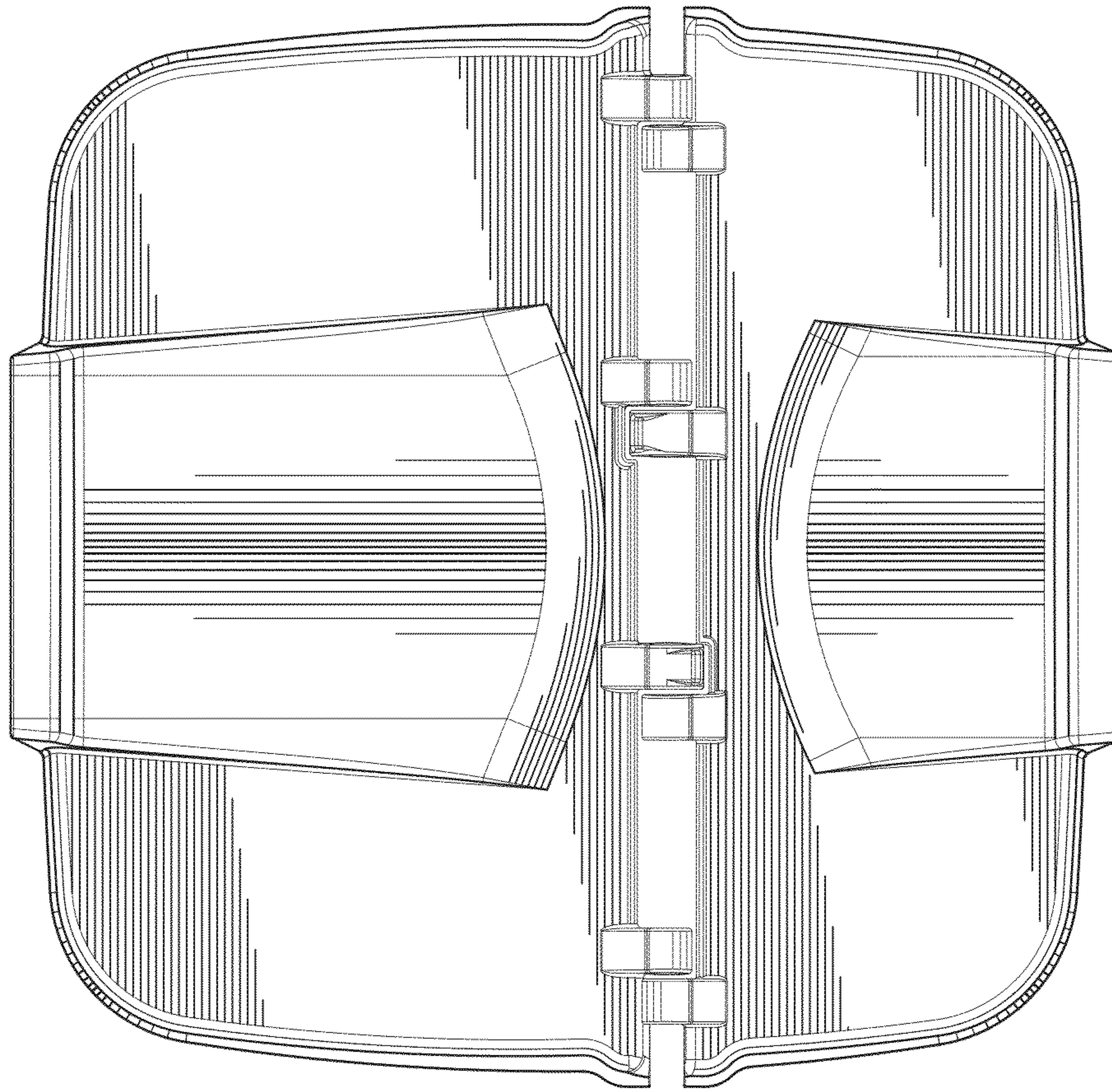


FIG. 2

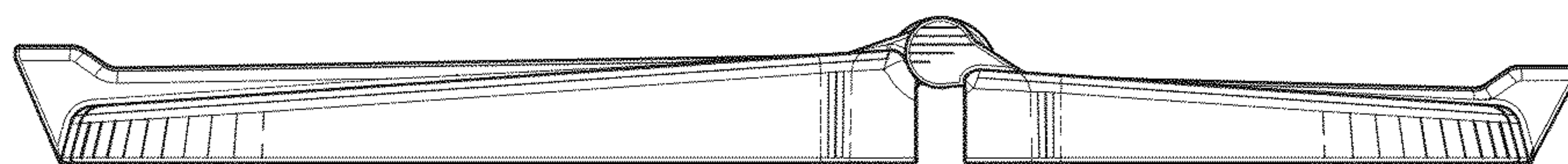


FIG. 3

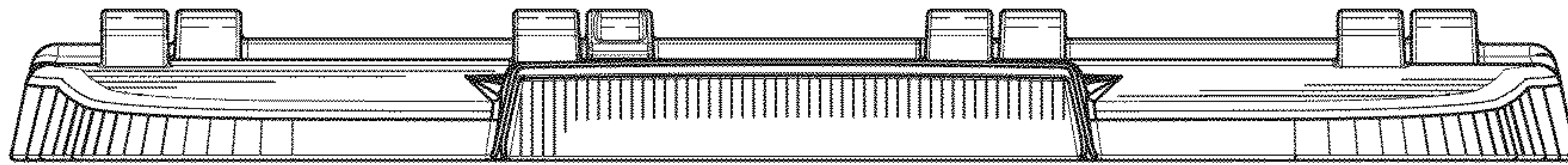


FIG. 4

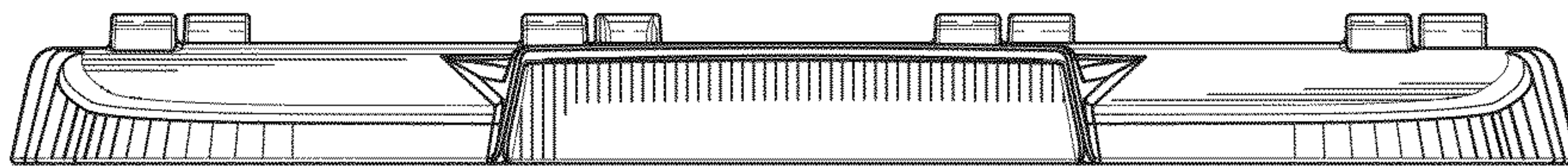


FIG. 5

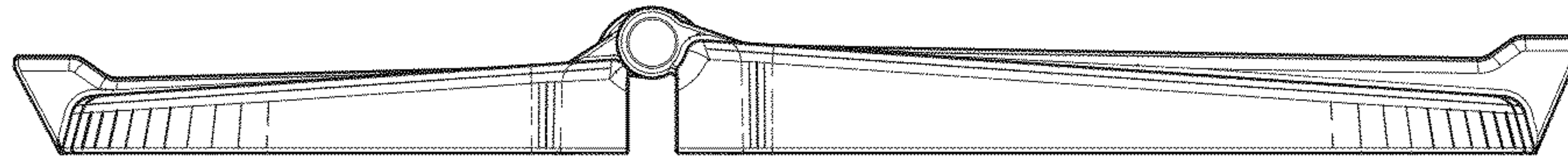


FIG. 6

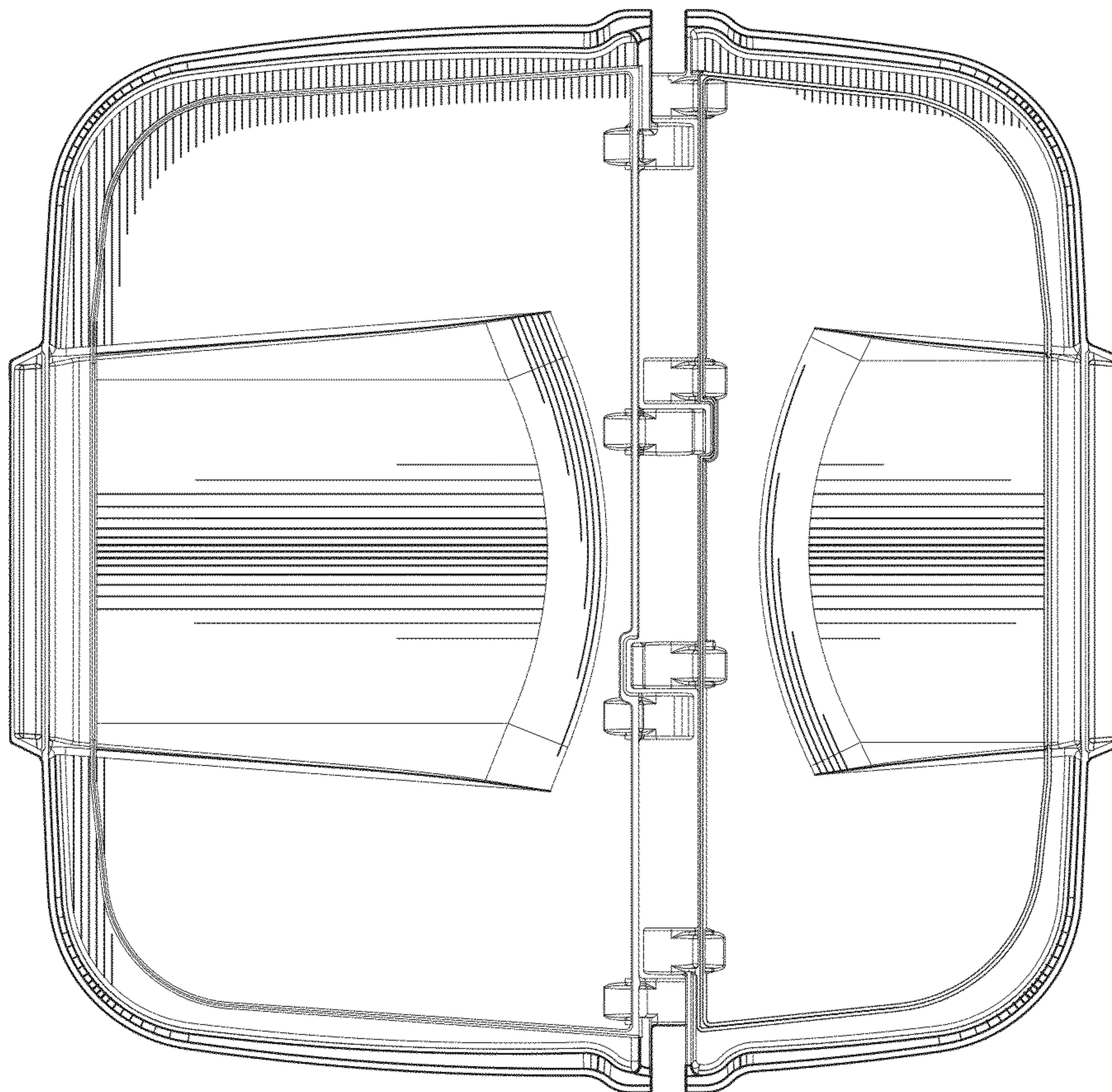


FIG. 7