



US00D756052S

(12) **United States Design Patent**
Del Rosario Roy et al.

(10) **Patent No.:** **US D756,052 S**
(45) **Date of Patent:** **** May 10, 2016**

(54) **CONTAINER LID**
(71) Applicant: **IPL INC., St-Damien (CA)**
(72) Inventors: **Daisy Del Rosario Roy, Pintendre (CA); Roch Nolet, St-Joseph (CA); Francis Côté, St-Nicolas (CA); Bernard Lefebvre, Boischatel (CA); Marc Jacques, Quebec (CA); Bernard Juneau, Quebec (CA)**

5,899,468 A * 5/1999 Apps B65F 1/14
220/371
D461,291 S * 8/2002 Kaminski D34/11
D657,106 S * 4/2012 Talbot Pouliot D34/5
D707,905 S * 6/2014 Nolet D34/5
D707,908 S * 6/2014 Nolet D34/5
D707,910 S * 6/2014 Nolet D34/11
D707,911 S * 6/2014 Nolet D34/11
2003/0213808 A1 * 11/2003 Berger B65F 1/122
220/832

* cited by examiner

(73) Assignee: **IPL INC., St-Damien (CA)**
(**) Term: **15 Years**

Primary Examiner — Cynthia Ramirez
(74) *Attorney, Agent, or Firm* — Goudreau Gage Dubuc;
Gwendoline Bruneau

(21) Appl. No.: **29/529,163**

(57) **CLAIM**

The ornamental design for a container lid, as shown and described.

(22) Filed: **Jun. 4, 2015**

(51) **LOC (10) Cl.** **09-09**

(52) **U.S. Cl.**
USPC **D34/11**

DESCRIPTION

(58) **Field of Classification Search**
USPC D34/1-11; 220/98, 252, 263, 343, 334,
220/337, 404, 708, 709, 910
CPC B65F 1/10; B65F 1/14; B65F 1/122
See application file for complete search history.

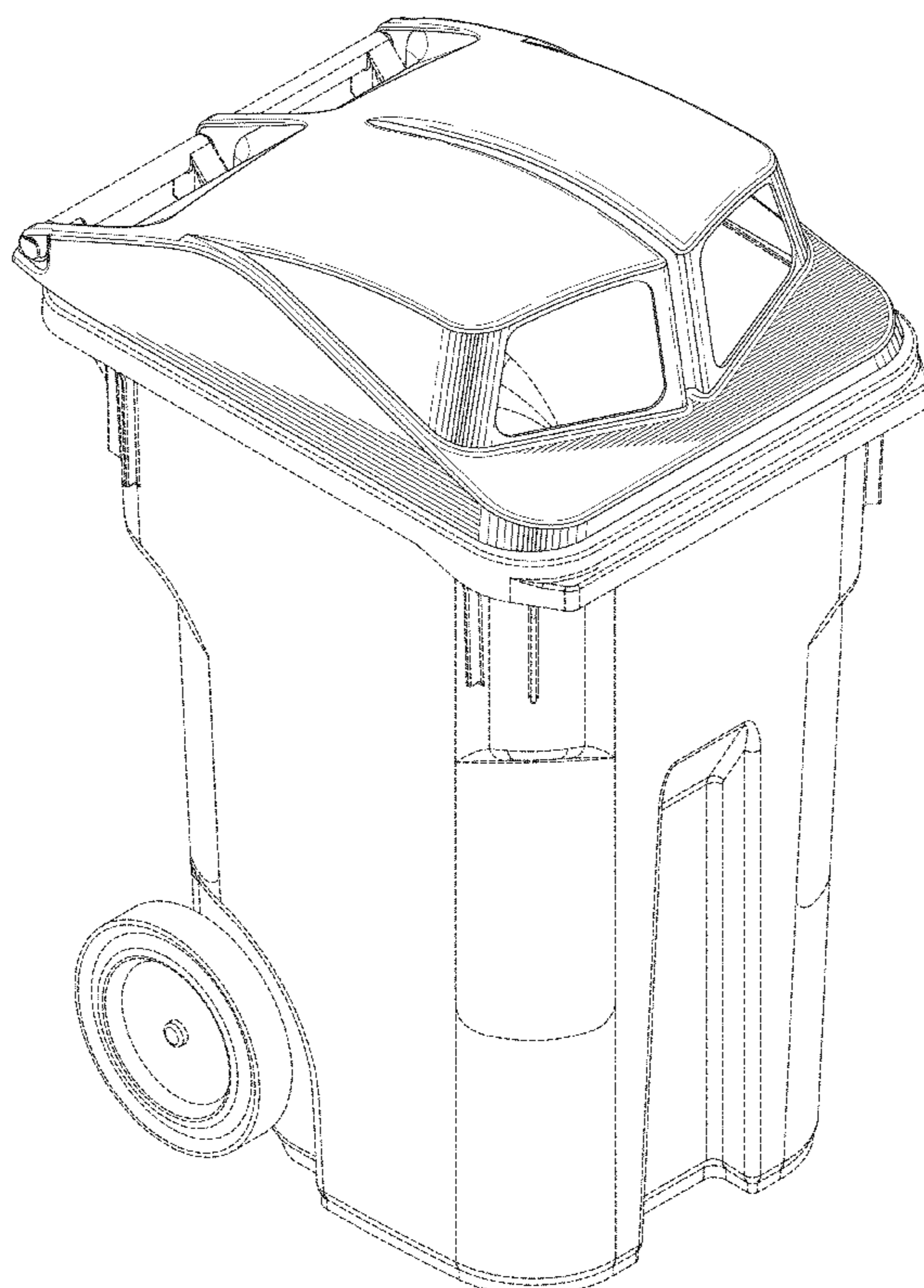
FIG. 1 is a perspective view of the container lid;
FIG. 2 is a top view of the container lid of FIG. 1;
FIG. 3 is front view of the container lid of FIG. 1;
FIG. 4 is a side view of the container lid of FIG. 1, the other side being a mirror image thereof;
FIG. 5 is a rear view of the container lid of FIG. 1; and,
FIG. 6 is a rear view of the container lid of FIG. 1.
The broken lines shown in the figures are included for the purpose of illustrating environment and forms no part of the claimed design.

(56) **References Cited**

U.S. PATENT DOCUMENTS

D388,577 S * 12/1997 Rehrig D34/5
D410,125 S * 5/1999 Rehrig D34/11

1 Claim, 4 Drawing Sheets



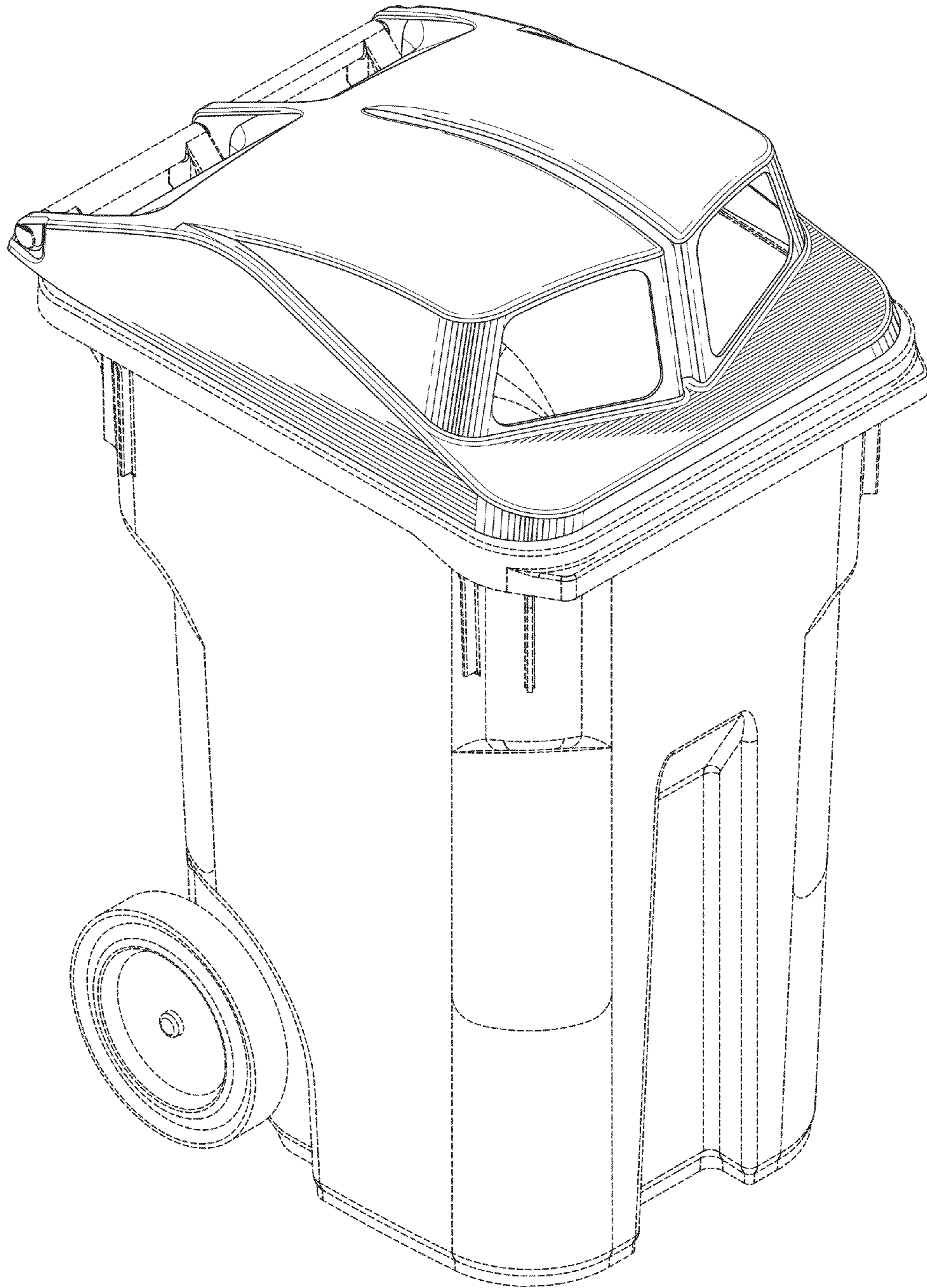


FIG. 1

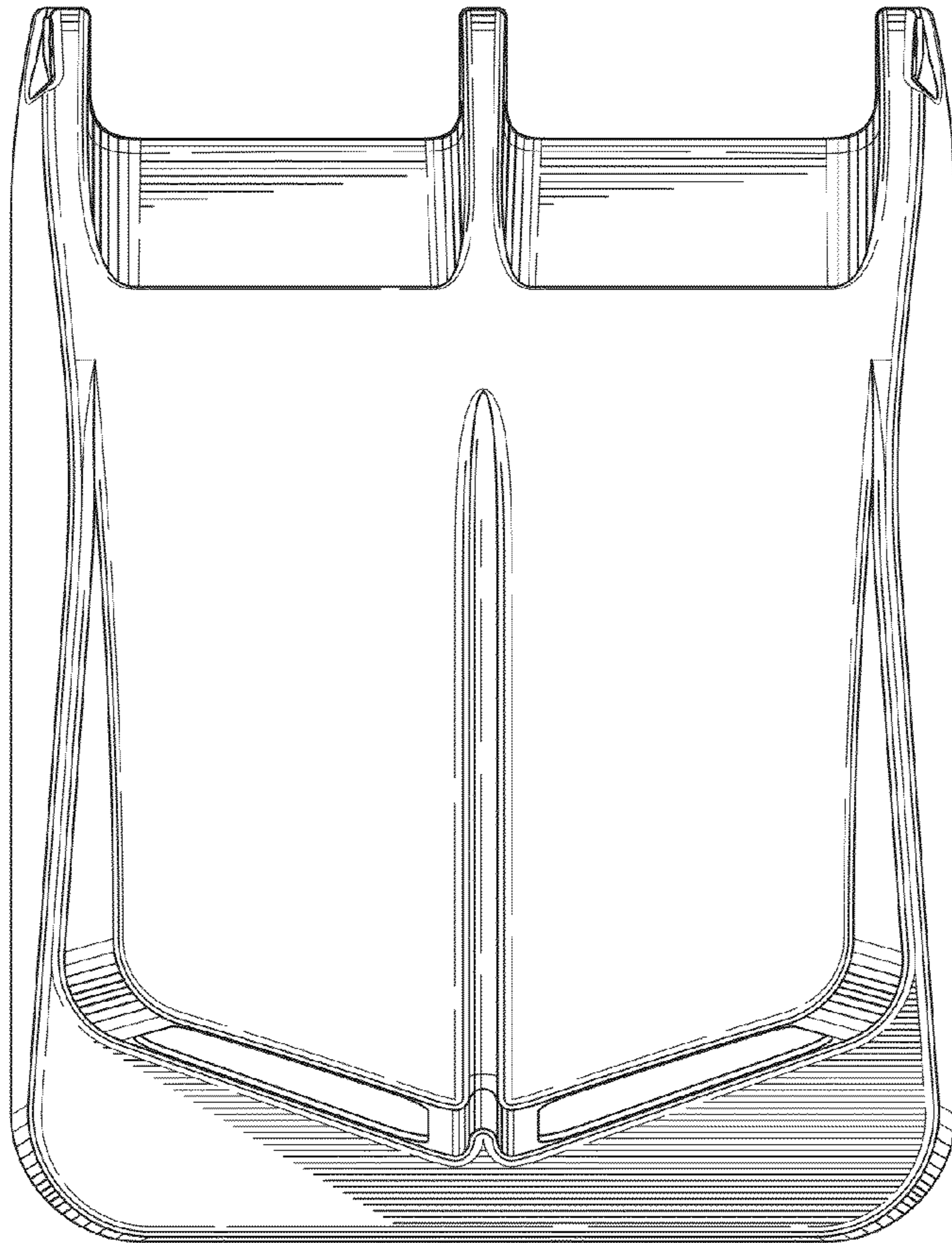


FIG. 2

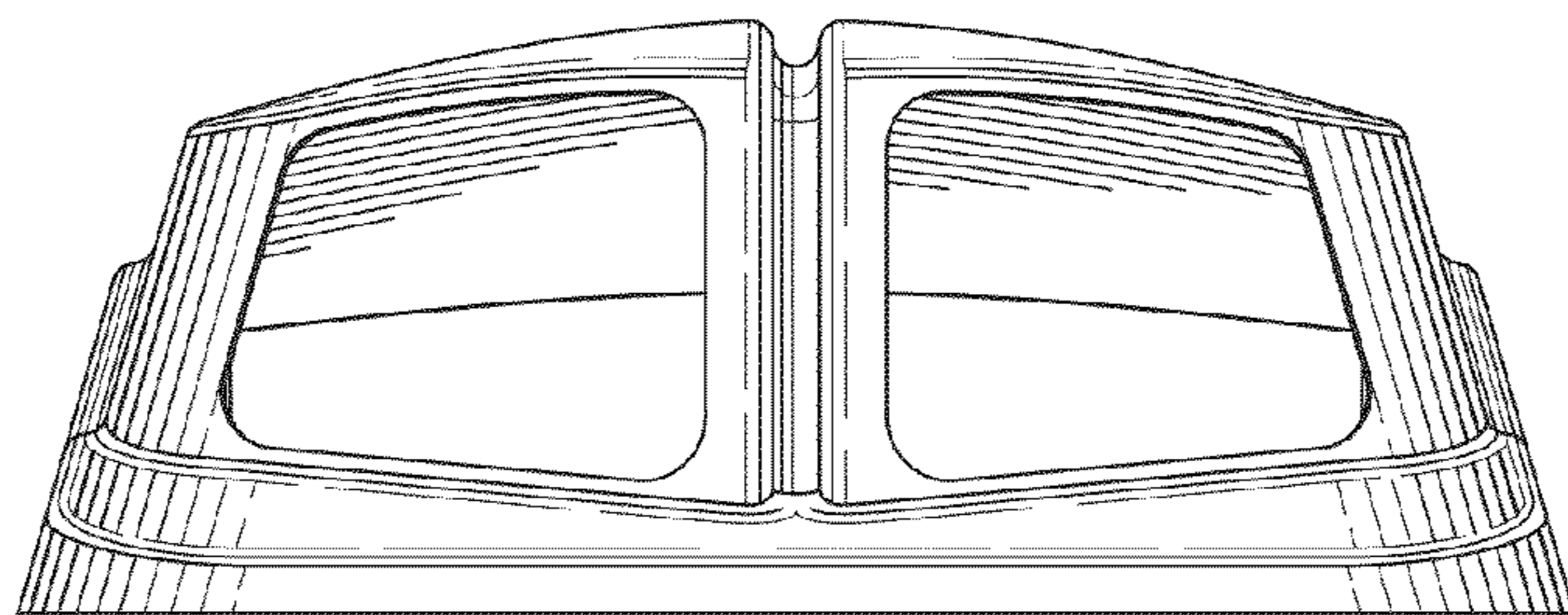


FIG. 3

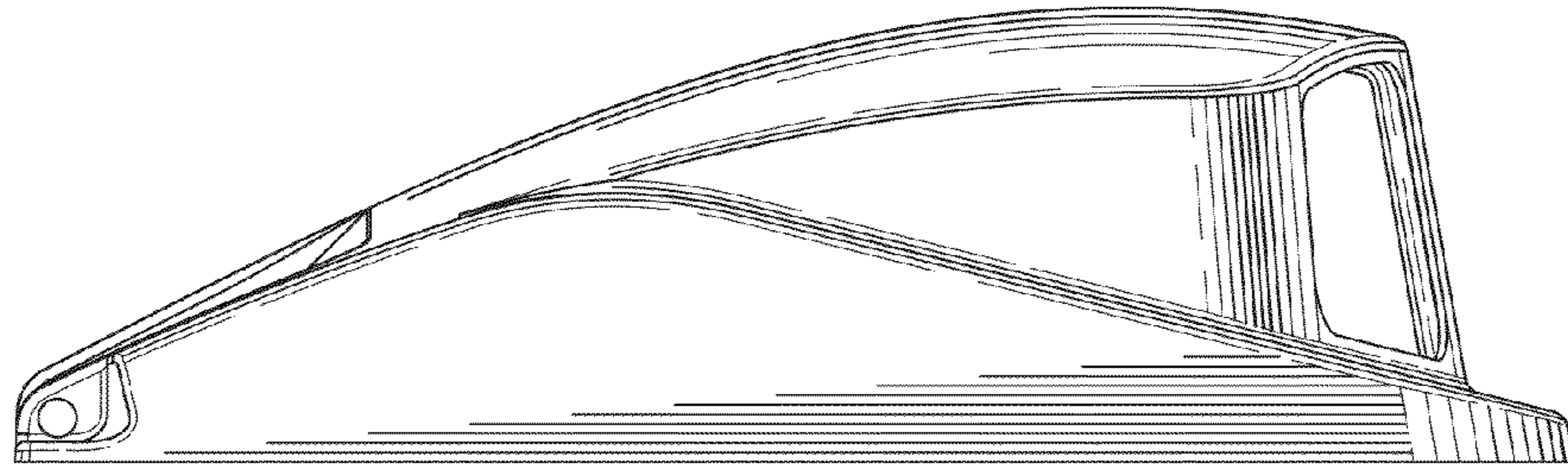


FIG. 4

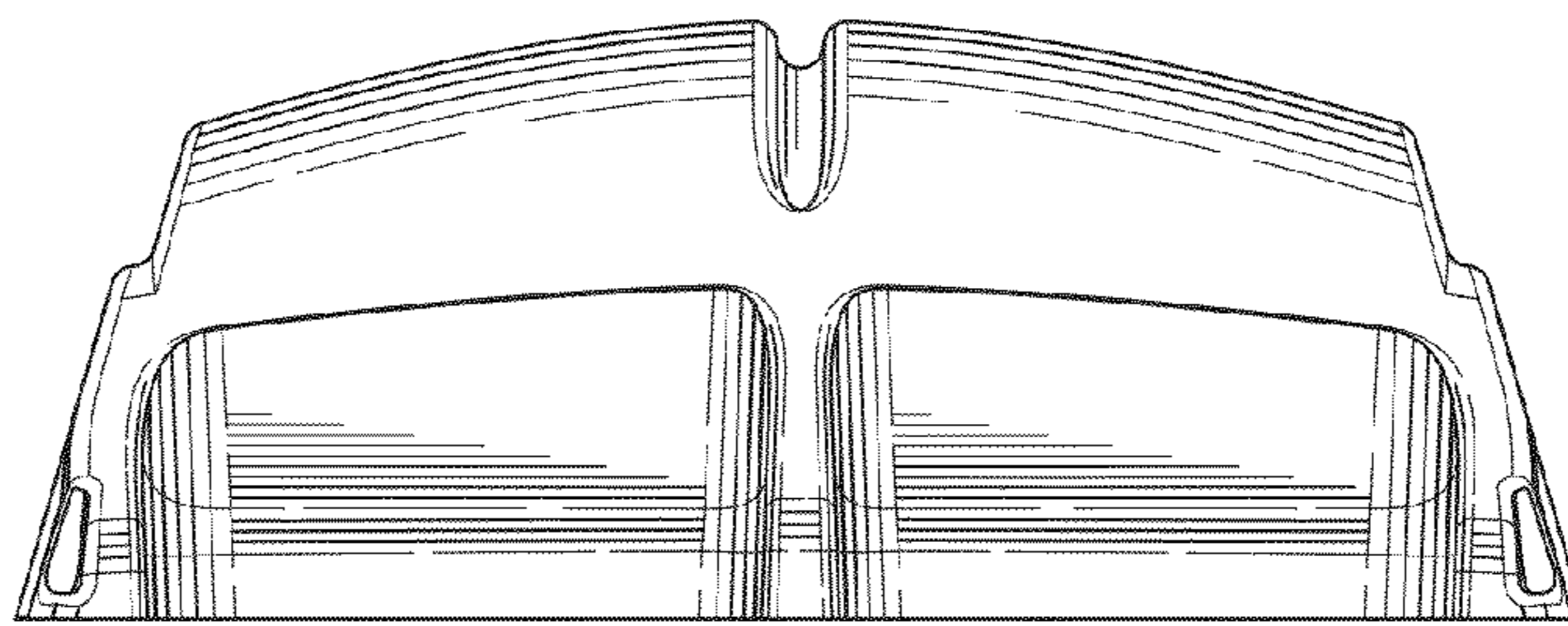


FIG. 5

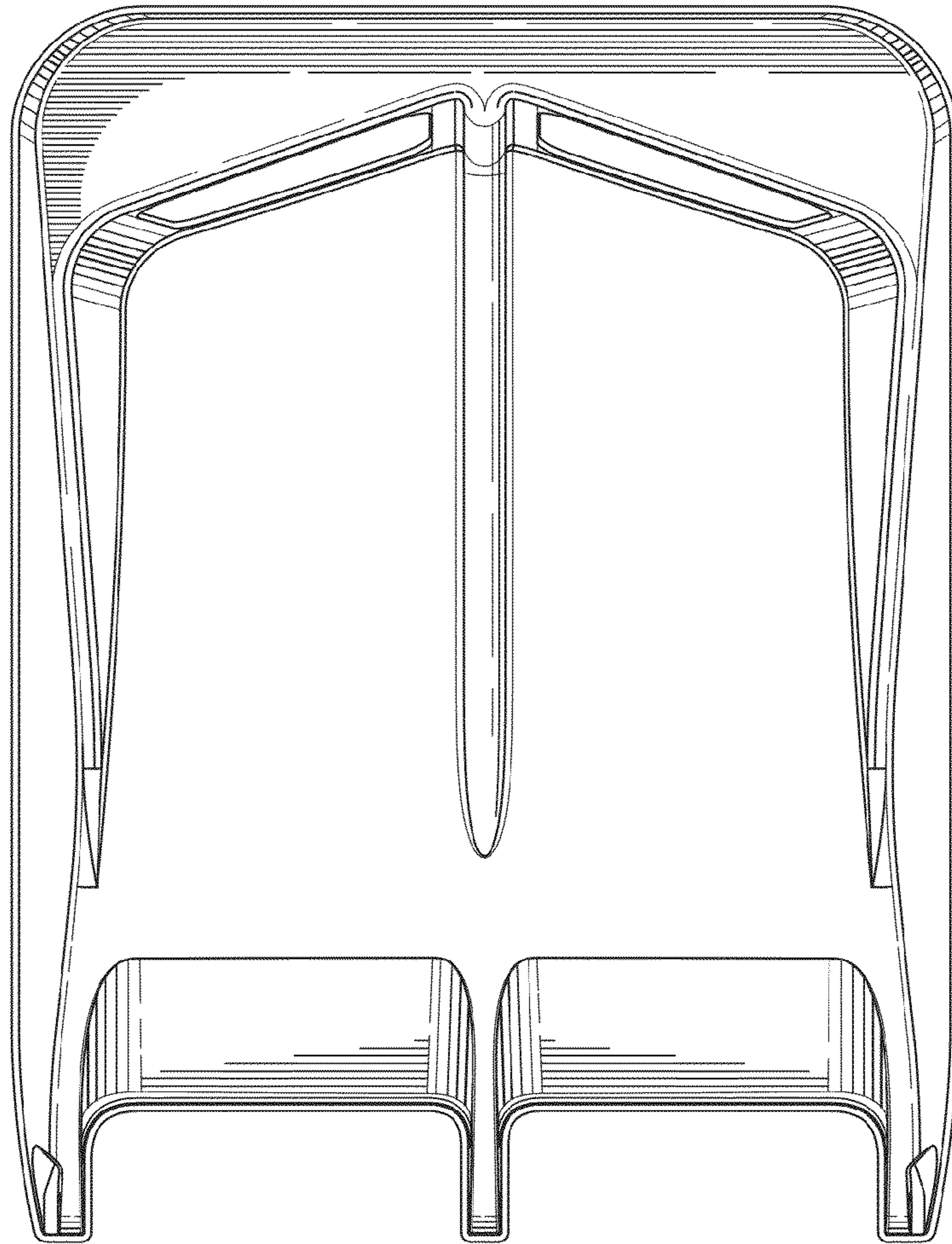


FIG. 6