

US00D756050S

(12) **United States Design Patent**
Lavoie

(10) **Patent No.:** **US D756,050 S**
(45) **Date of Patent:** **** May 10, 2016**

- (54) **RECEPTACLE ASSEMBLY**
- (71) Applicant: **TOMRA North America, Inc.**, Shelton, CT (US)
- (72) Inventor: **Peter Lavoie**, Shelton, CT (US)
- (73) Assignee: **TOMRA North America, Inc.**, Shelton, CT (US)
- (**) Term: **14 Years**
- (21) Appl. No.: **29/483,507**
- (22) Filed: **Feb. 28, 2014**
- (51) **LOC (10) Cl.** **09-09**
- (52) **U.S. Cl.**
USPC **D34/1**
- (58) **Field of Classification Search**
USPC D34/1-12; 220/4.11, 908, 908.1, 909
CPC B65F 1/068; B65F 1/062; B65F 1/06;
B65F 1/1615; B65F 1/1607; B65F 1/167;
B65F 1/16; B65F 1/141
See application file for complete search history.

5,503,287 A * 4/1996 Gammons B65F 1/0066
217/76
6,024,240 A 2/2000 Howard et al.
6,047,843 A 4/2000 Mecke

FOREIGN PATENT DOCUMENTS

WO WO 99/11525 A1 3/1999

* cited by examiner

Primary Examiner — Cynthia Ramirez

(74) *Attorney, Agent, or Firm* — Buchanan Ingersoll & Rooney P.C.

(57) **CLAIM**

The ornamental design for a receptacle assembly, as shown and described.

DESCRIPTION

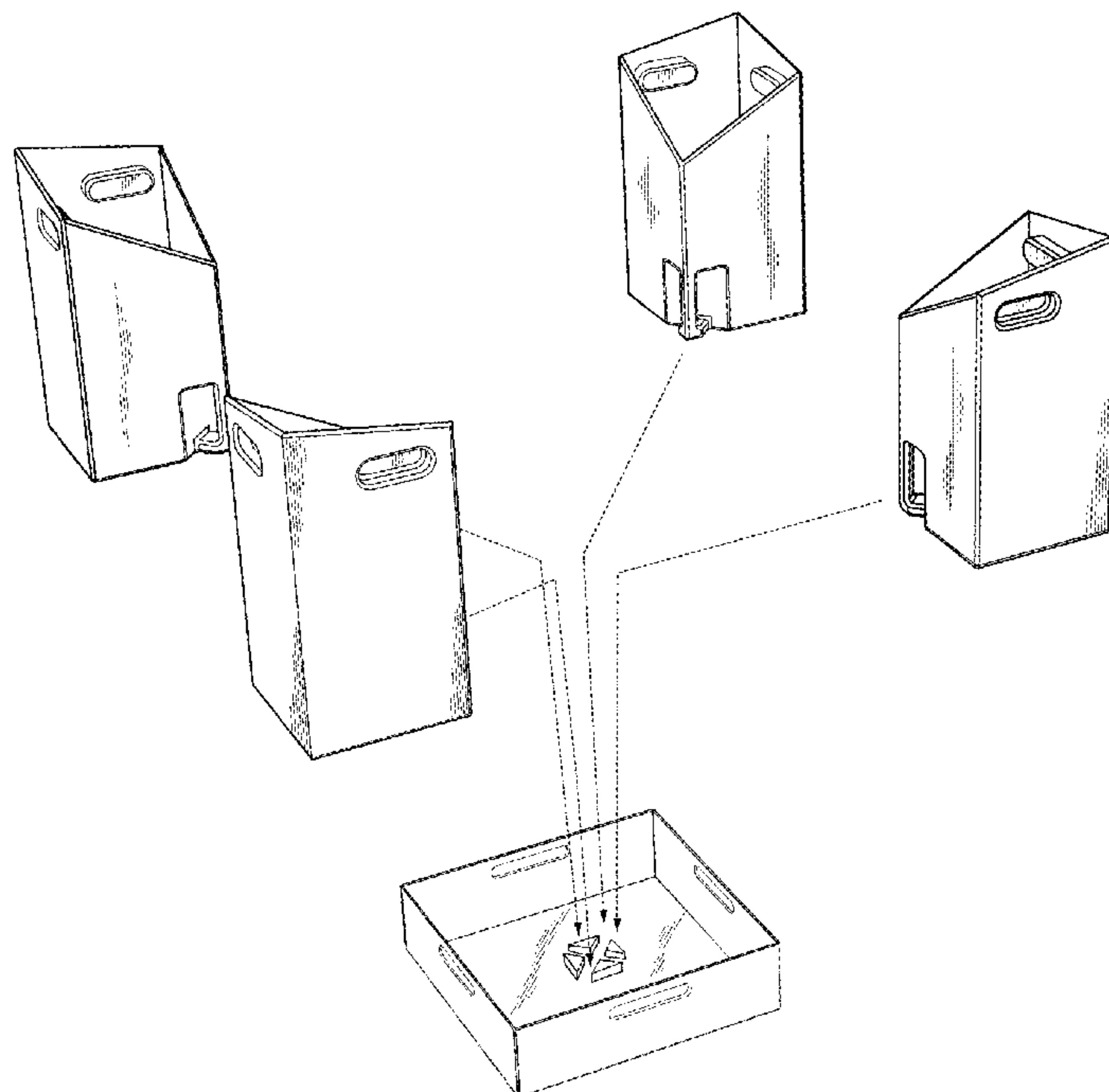
FIG. 1 is an exploded top perspective view of a receptacle assembly showing my new design;
 FIG. 2 is a bottom perspective view thereof;
 FIG. 3 is a top plan view thereof;
 FIG. 4 is a front elevational view thereof;
 FIG. 5 is a right side elevational view, the left side elevational being a mirror image thereof;
 FIG. 6 is a bottom plan view thereof;
 FIG. 7 is a top perspective view in an assembled configuration;
 FIG. 8 is a bottom perspective view thereof;
 FIG. 9 is a front elevational view thereof;
 FIG. 10 is a top plan view thereof;
 FIG. 11 is a right side elevational view thereof; and,
 FIG. 12 is a bottom plan view thereof.

1 Claim, 10 Drawing Sheets

(56) **References Cited**

U.S. PATENT DOCUMENTS

- 3,219,195 A * 11/1965 Mize B65F 1/141
211/85.19
- 3,625,370 A * 12/1971 Mintz B65F 1/141
211/84
- 4,874,111 A 10/1989 Heller
- 5,046,635 A 9/1991 Haas et al.
- 5,101,997 A * 4/1992 Bagwell B65F 1/0066
220/23.4
- 5,139,299 A * 8/1992 Smith B65F 1/0066
220/23.4



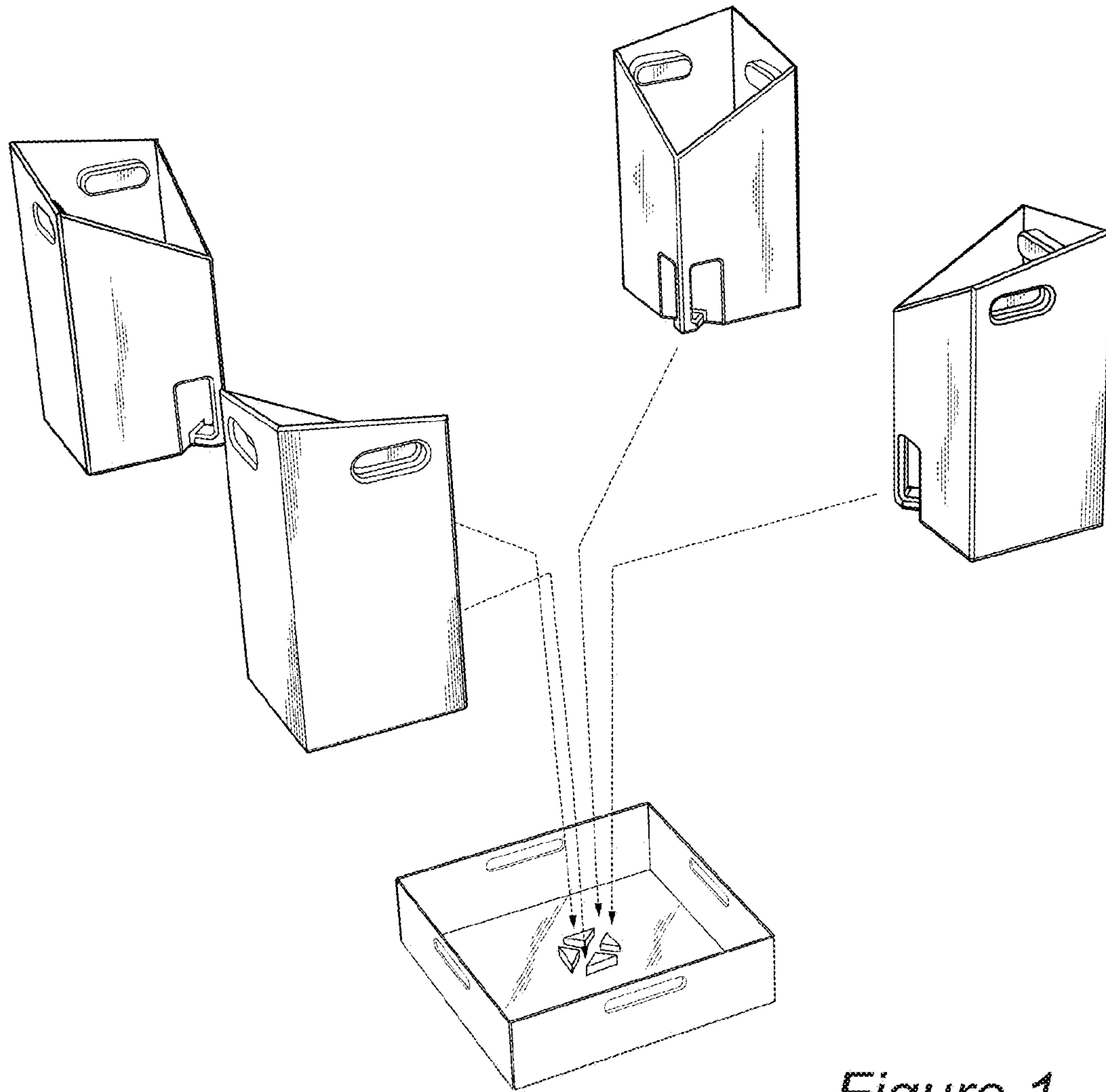


Figure 1

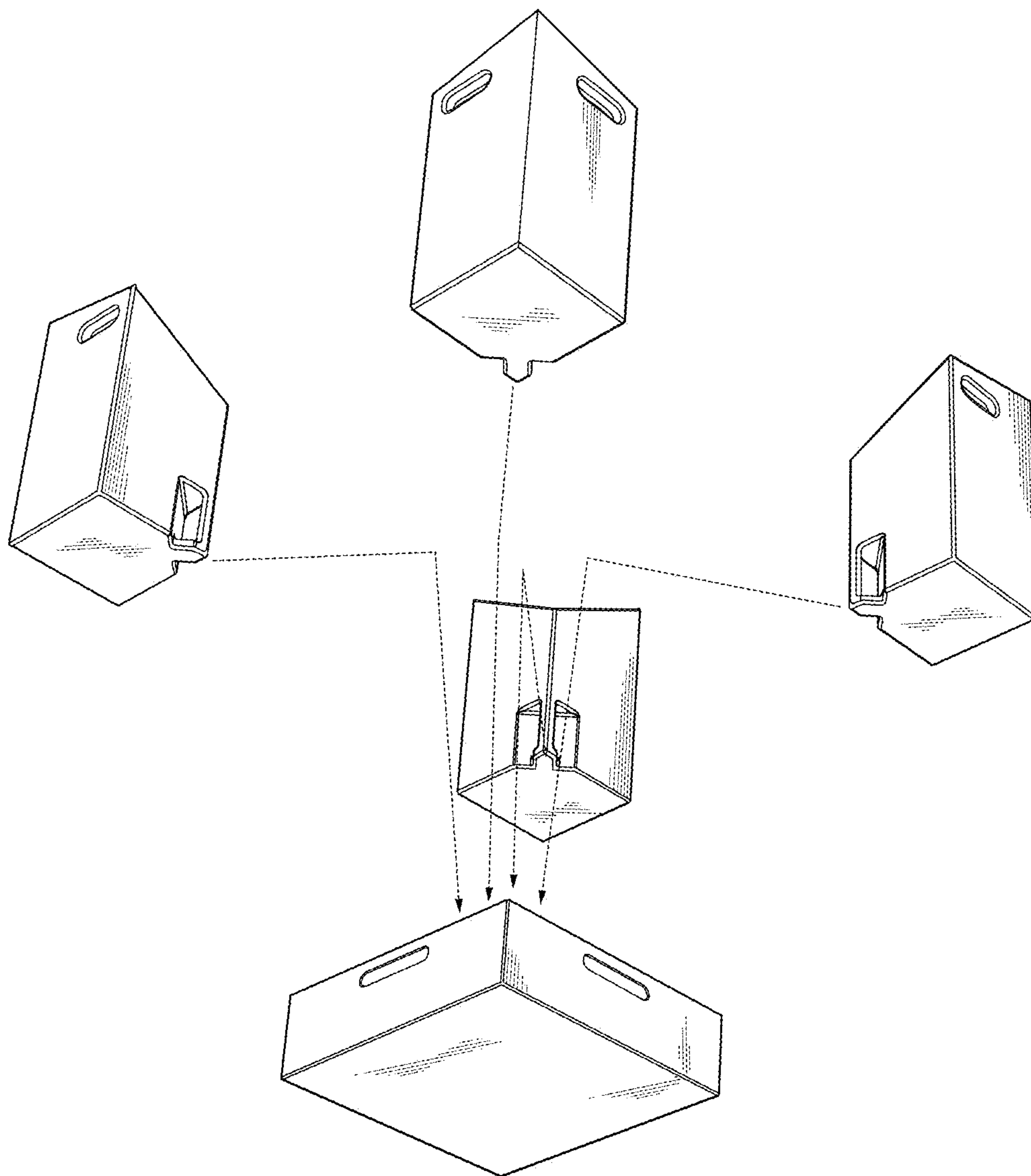


Figure 2

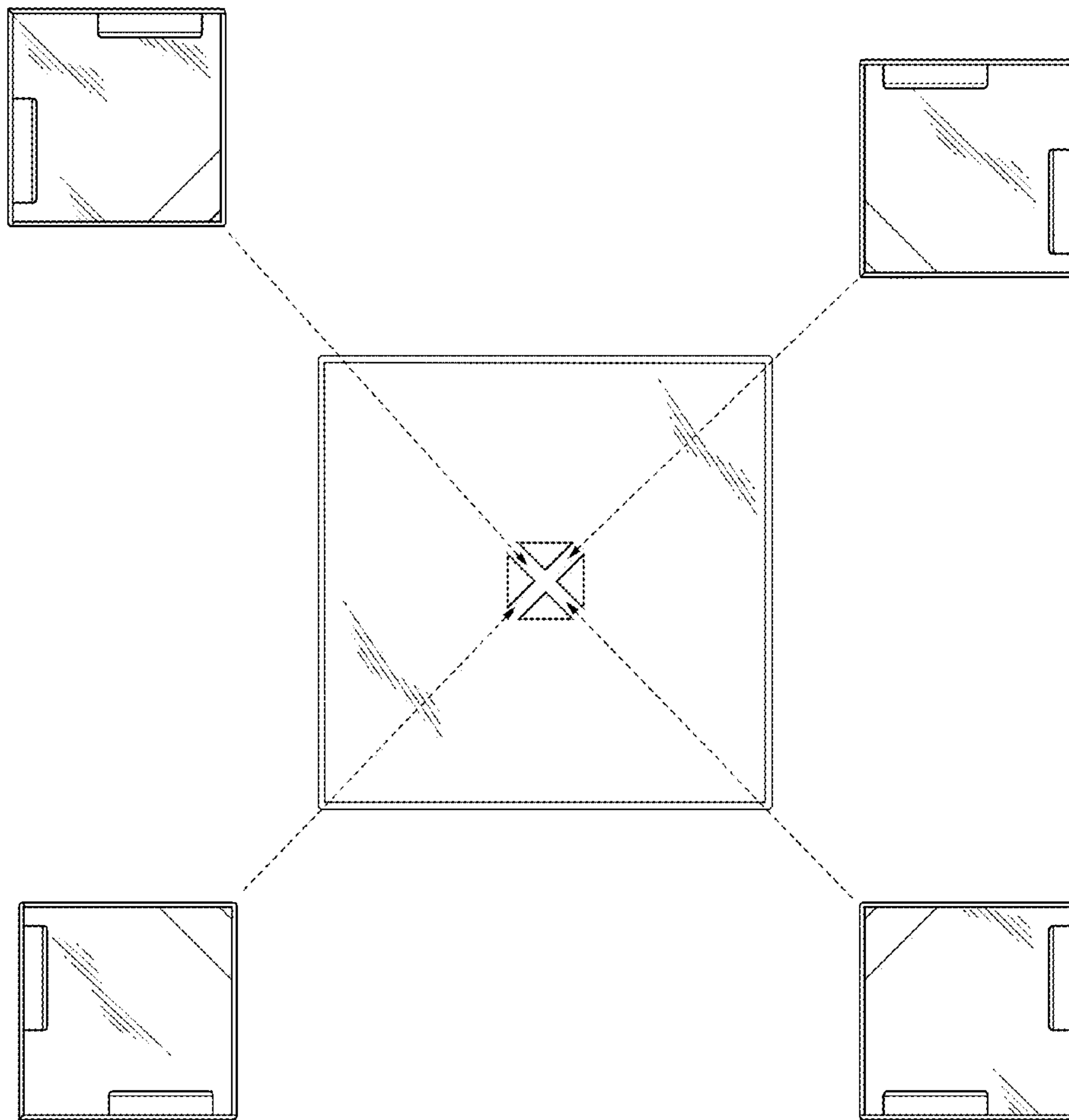


Figure 3

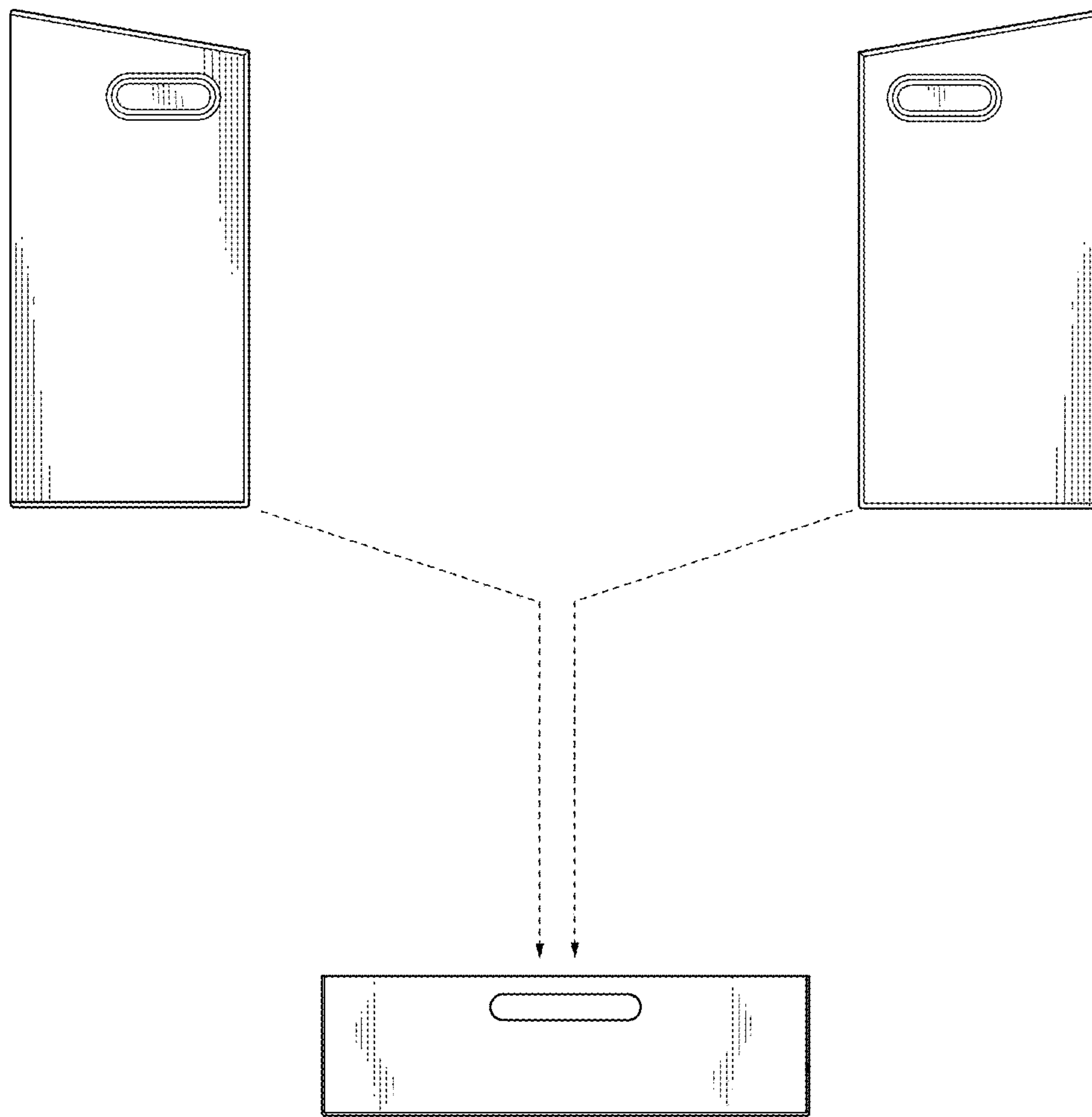


Figure 4

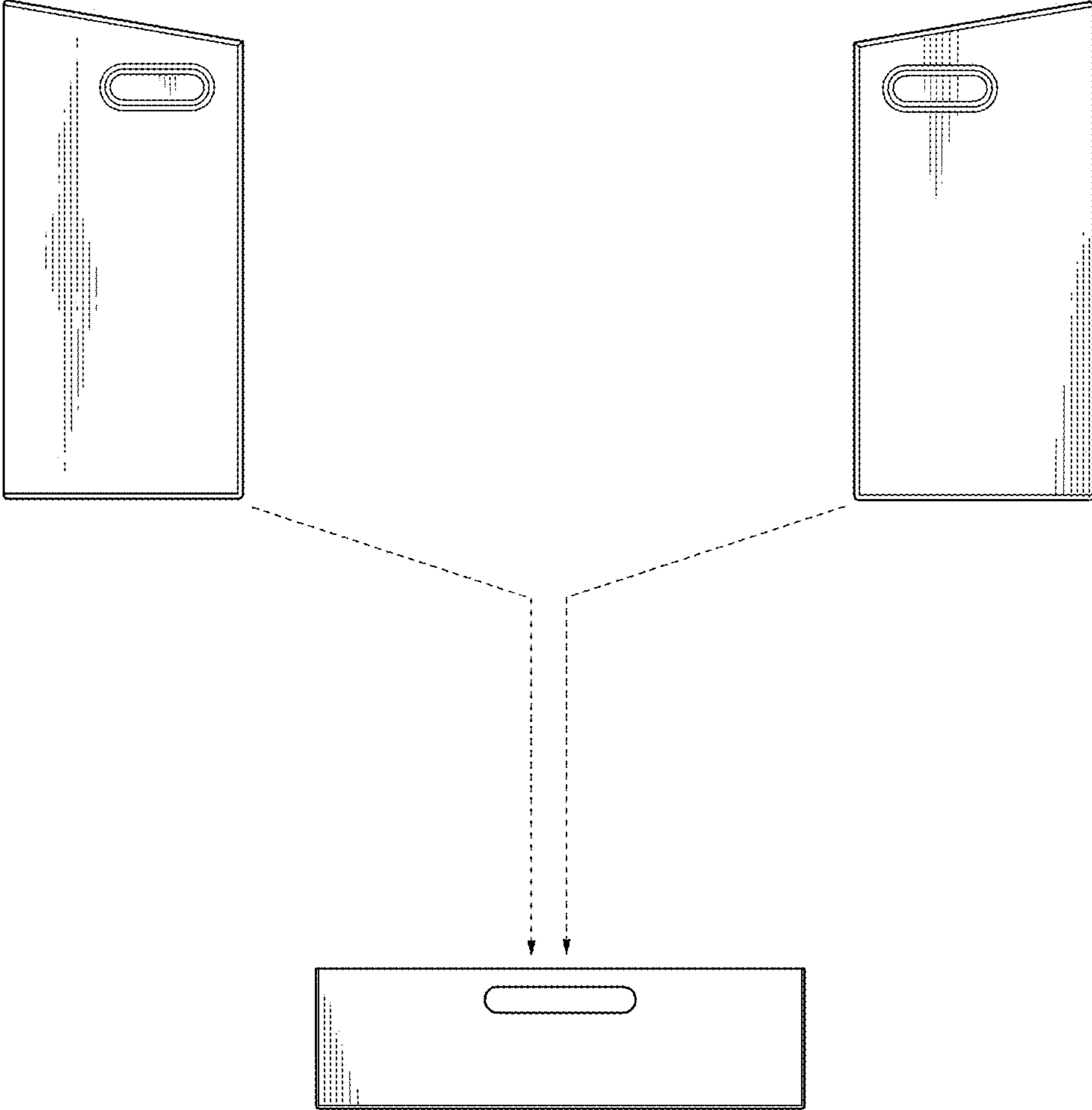


Figure 5

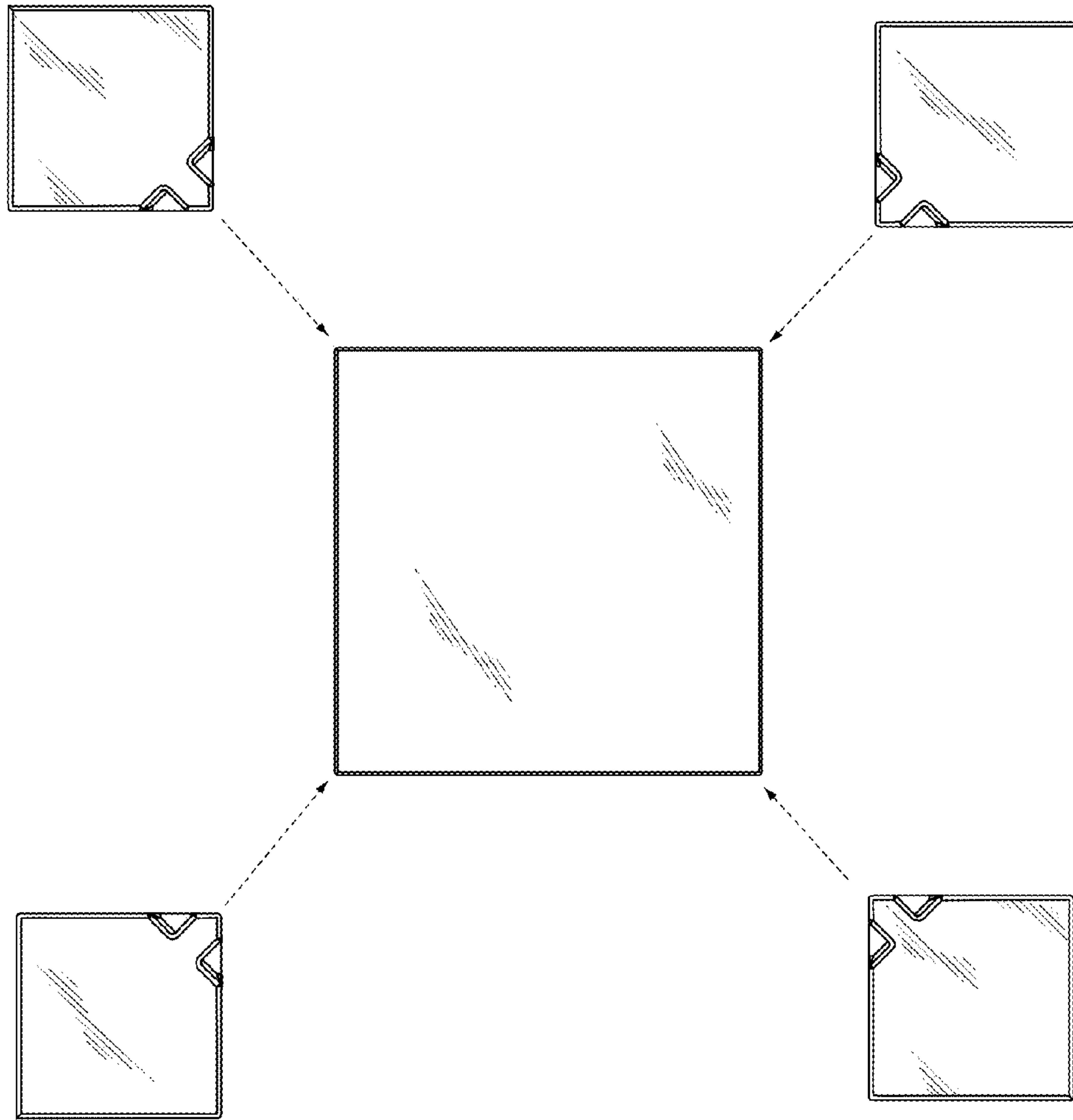


Figure 6

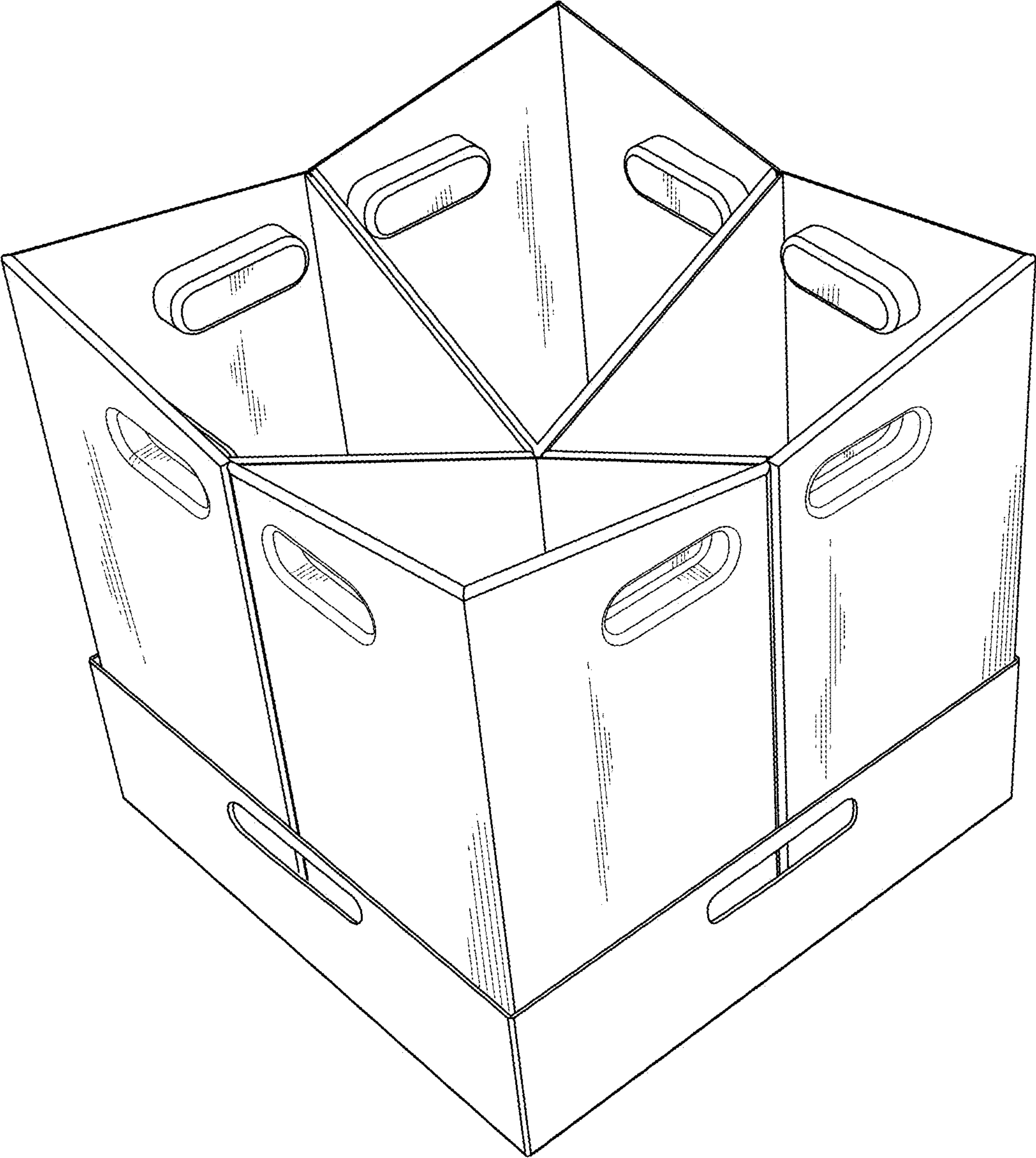


Figure 7

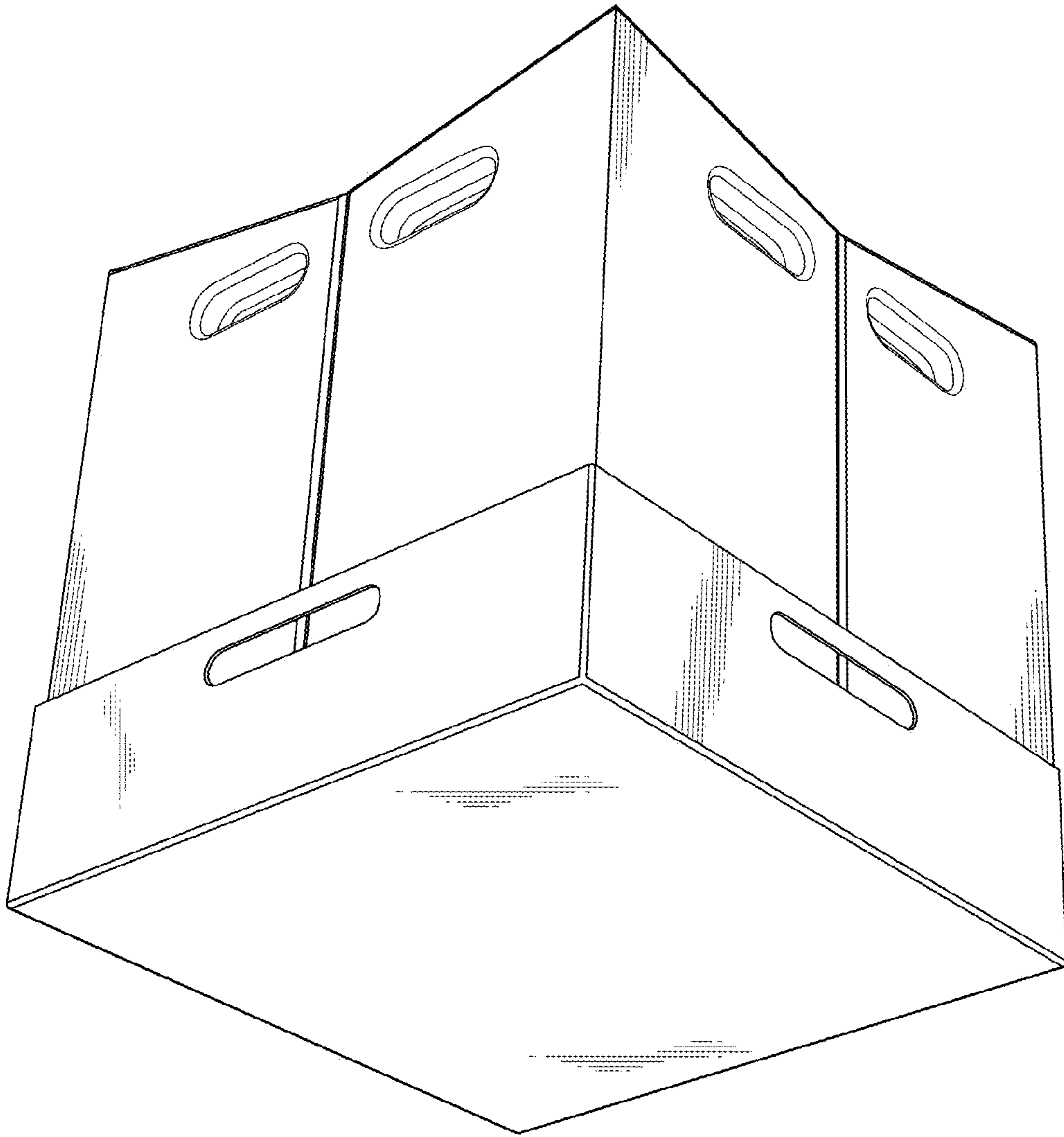


Figure 8

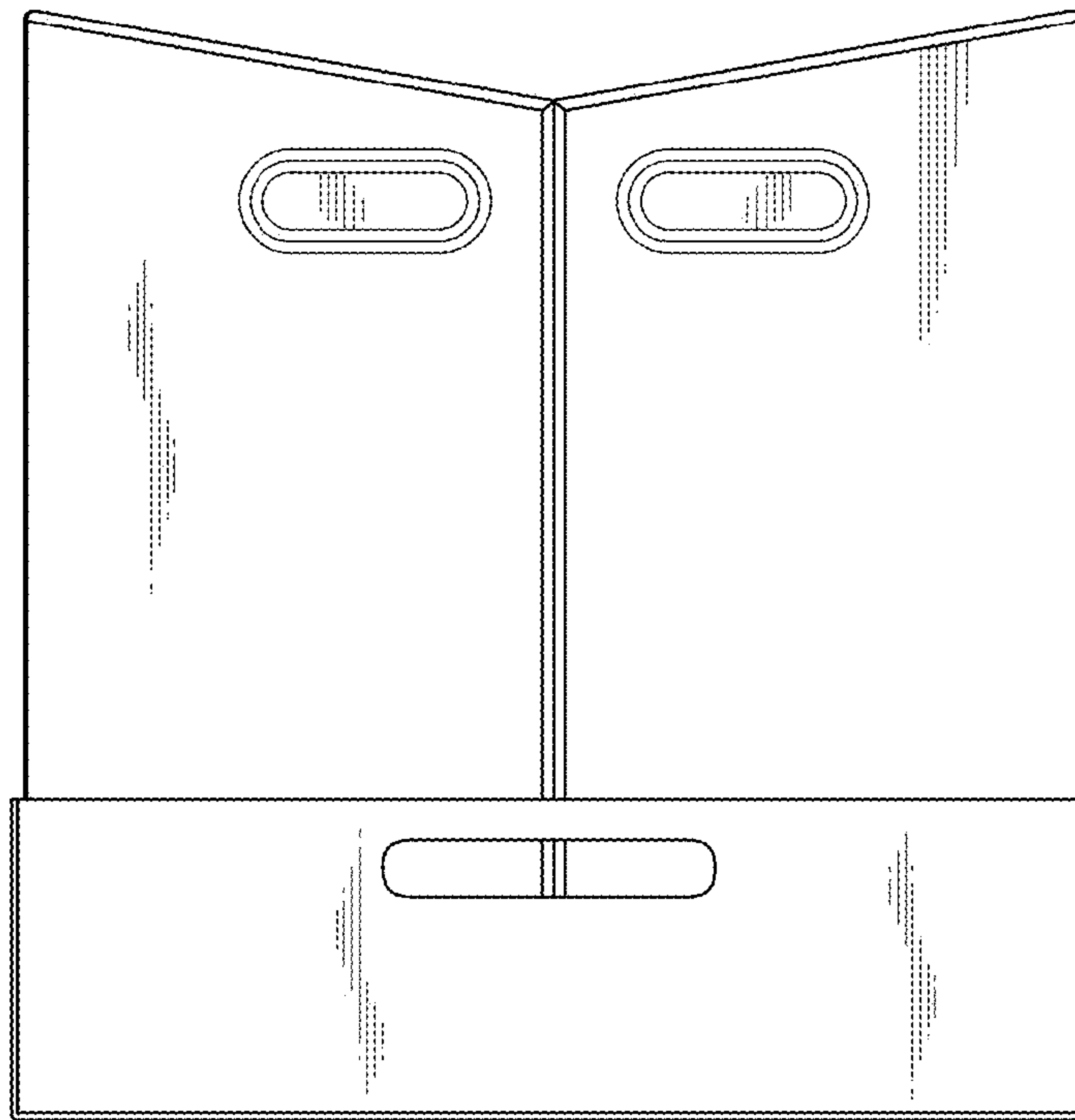


Figure 9

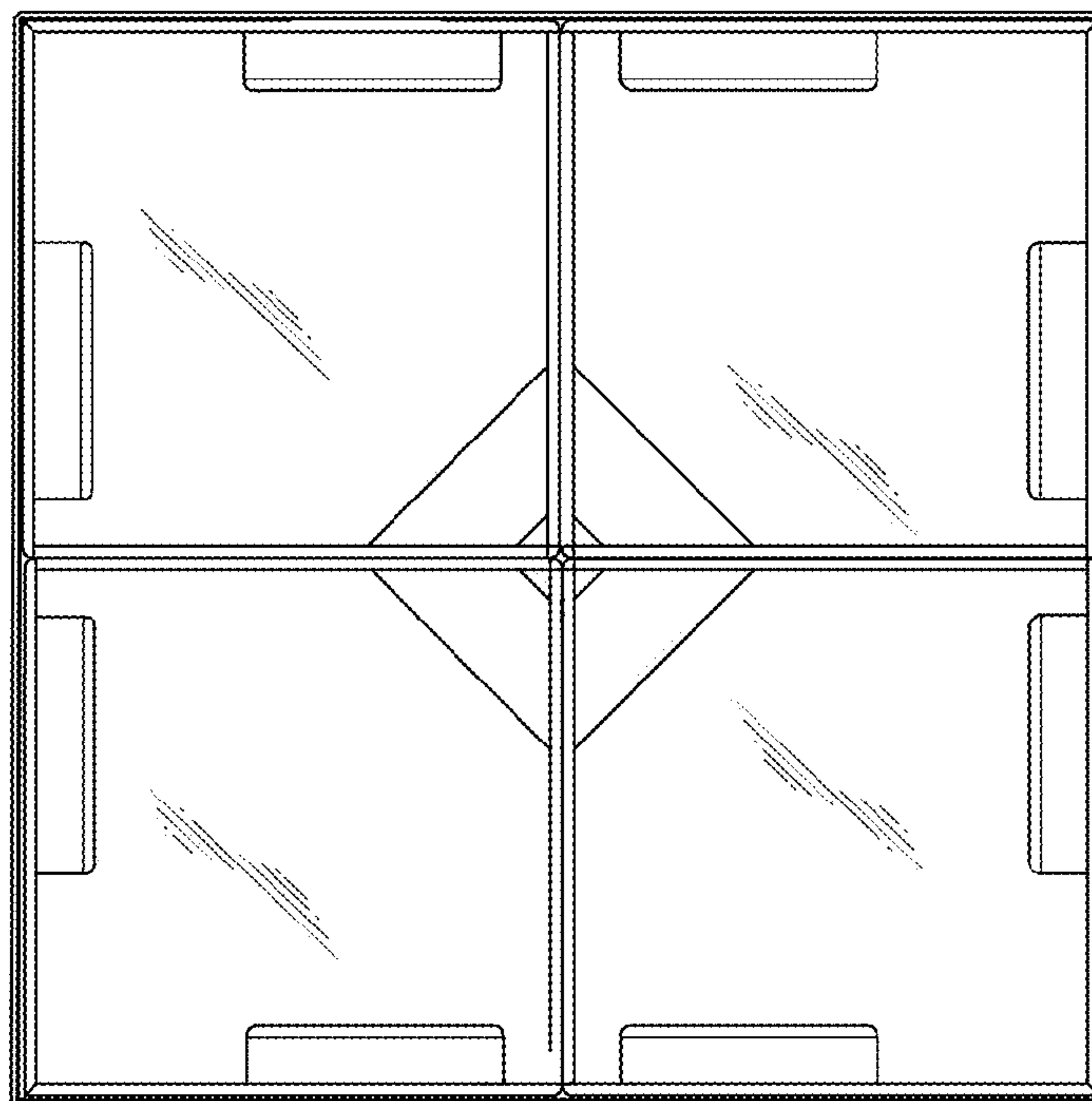


Figure 10

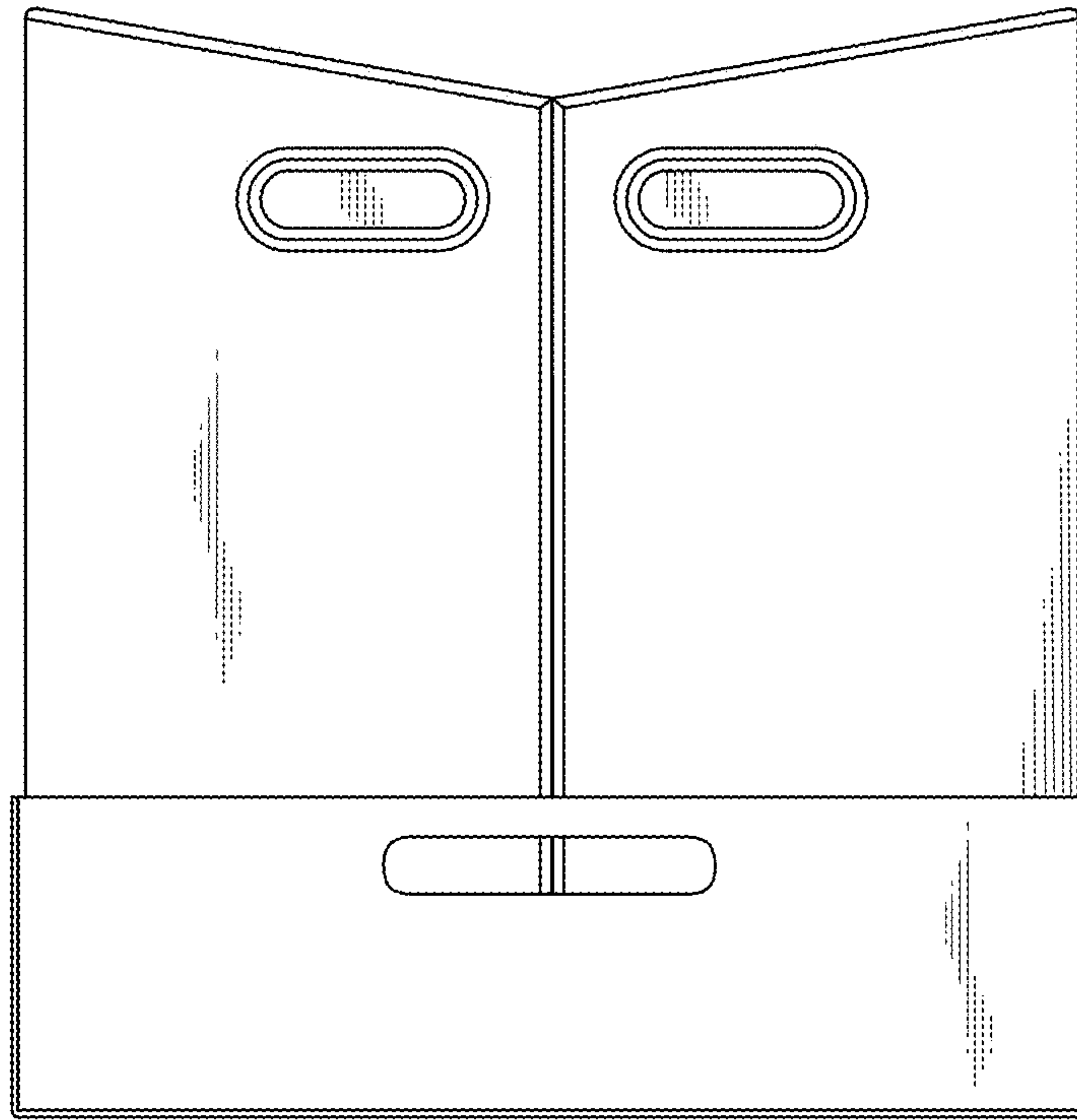


Figure 11

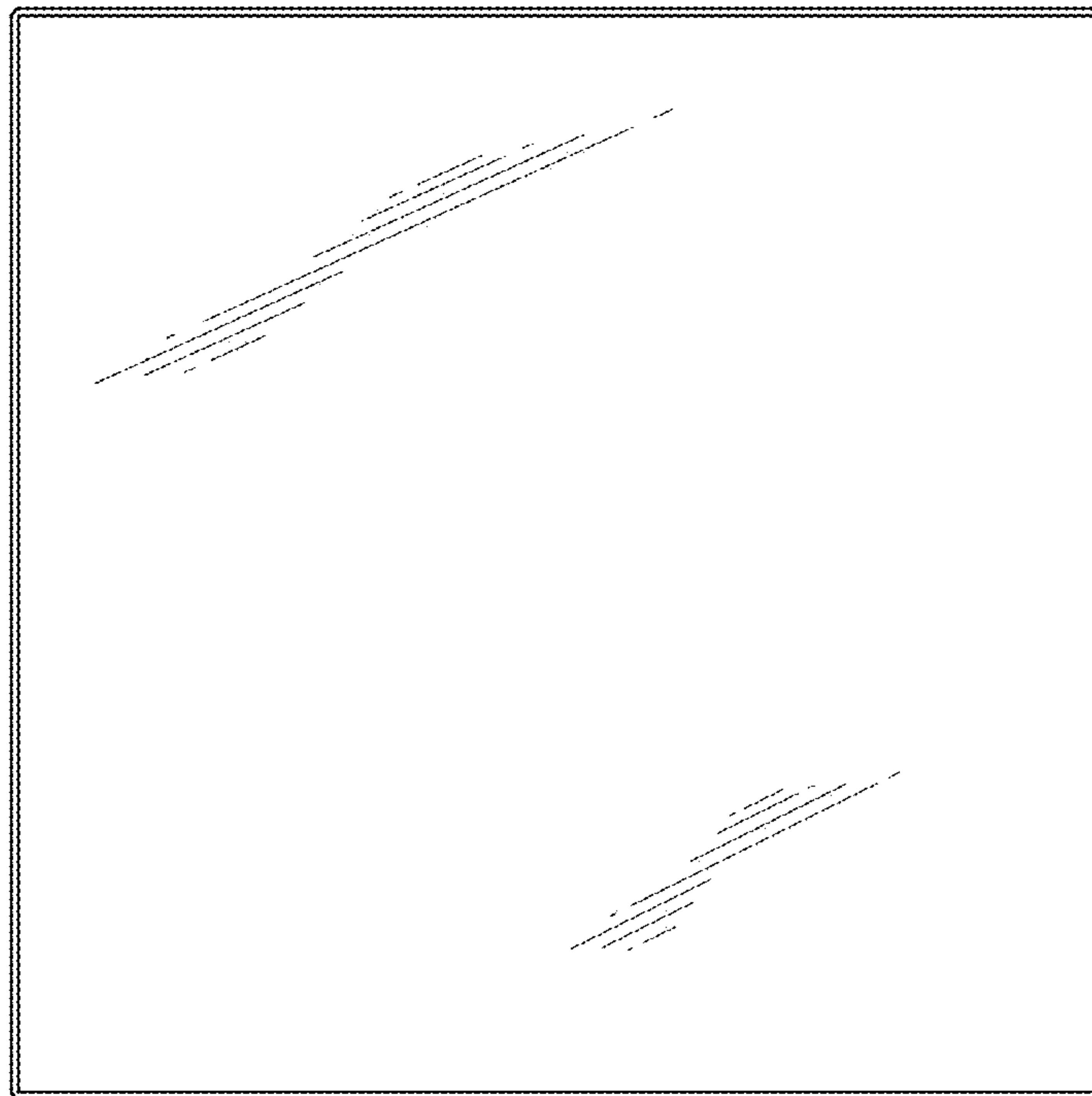


Figure 12