



US00D756048S

(12) **United States Design Patent**  
**Williams**

(10) **Patent No.:** **US D756,048 S**  
(45) **Date of Patent:** **\*\* May 10, 2016**

- (54) **ICE SCRAPER**
- (71) Applicant: **Dave L. Williams**, St. George (CA)
- (72) Inventor: **Dave L. Williams**, St. George (CA)
- (\*\*) Term: **14 Years**
- (21) Appl. No.: **29/517,546**
- (22) Filed: **Feb. 13, 2015**
- (51) **LOC (10) Cl.** ..... **08-05**
- (52) **U.S. Cl.**  
USPC ..... **D32/46**
- (58) **Field of Classification Search**  
USPC ..... D32/46, 49, 42; D8/14, 45, 46, 47, 105,  
D8/98, 90, 101  
CPC ..... B60S 3/045; A47L 1/16; B27G 17/00  
See application file for complete search history.

(56) **References Cited**

**U.S. PATENT DOCUMENTS**

D24,178 S *	4/1895	Hoffman	30/169
D28,096 S *	12/1897	Watson	30/169
D46,895 S *	2/1915	Campbell	30/169
D49,182 S *	6/1916	Gregwer	D32/46
D120,245 S *	4/1940	Osborne	D32/46
4,813,458 A	3/1989	Jacobucci	
D307,206 S *	4/1990	Boyd	D32/46
4,962,561 A	10/1990	Hamilton	
D313,880 S *	1/1991	Magnasco	D32/46
5,455,981 A	10/1995	Wiese	
D365,897 S *	1/1996	Pereira	D32/46
D366,130 S *	1/1996	Ordonez	D32/46
D398,111 S *	9/1998	Avrans	15/236.01
D403,816 S *	1/1999	Zeilinger	D32/46
D411,672 S *	6/1999	McCoy	D32/46
5,915,794 A	6/1999	Neff	

6,000,091 A *	12/1999	Bauer	B60J 3/0295 15/236.02
6,006,396 A	12/1999	Hellinger et al.	
6,018,836 A *	2/2000	Williams	A47L 1/16 15/111
D499,852 S *	12/2004	Truneczek	D32/46
7,103,936 B1 *	9/2006	Brandon	B27G 17/04 15/236.05
7,370,384 B2 *	5/2008	Miller	E04F 21/162 15/235.4
D584,870 S *	1/2009	Arvinte	D32/46
7,930,795 B1	4/2011	Johnston	
8,756,747 B2 *	6/2014	Rolph	A47L 1/16 15/236.02
2003/0106569 A1	6/2003	Marion et al.	
2006/0174449 A1	8/2006	Hughes	
2014/0150195 A1	6/2014	Mallin	

\* cited by examiner

*Primary Examiner* — T. Chase Nelson

*Assistant Examiner* — Michelle E Wilson

(74) *Attorney, Agent, or Firm* — Montgomery Patent and Design, LLC; Robert C. Montgomery

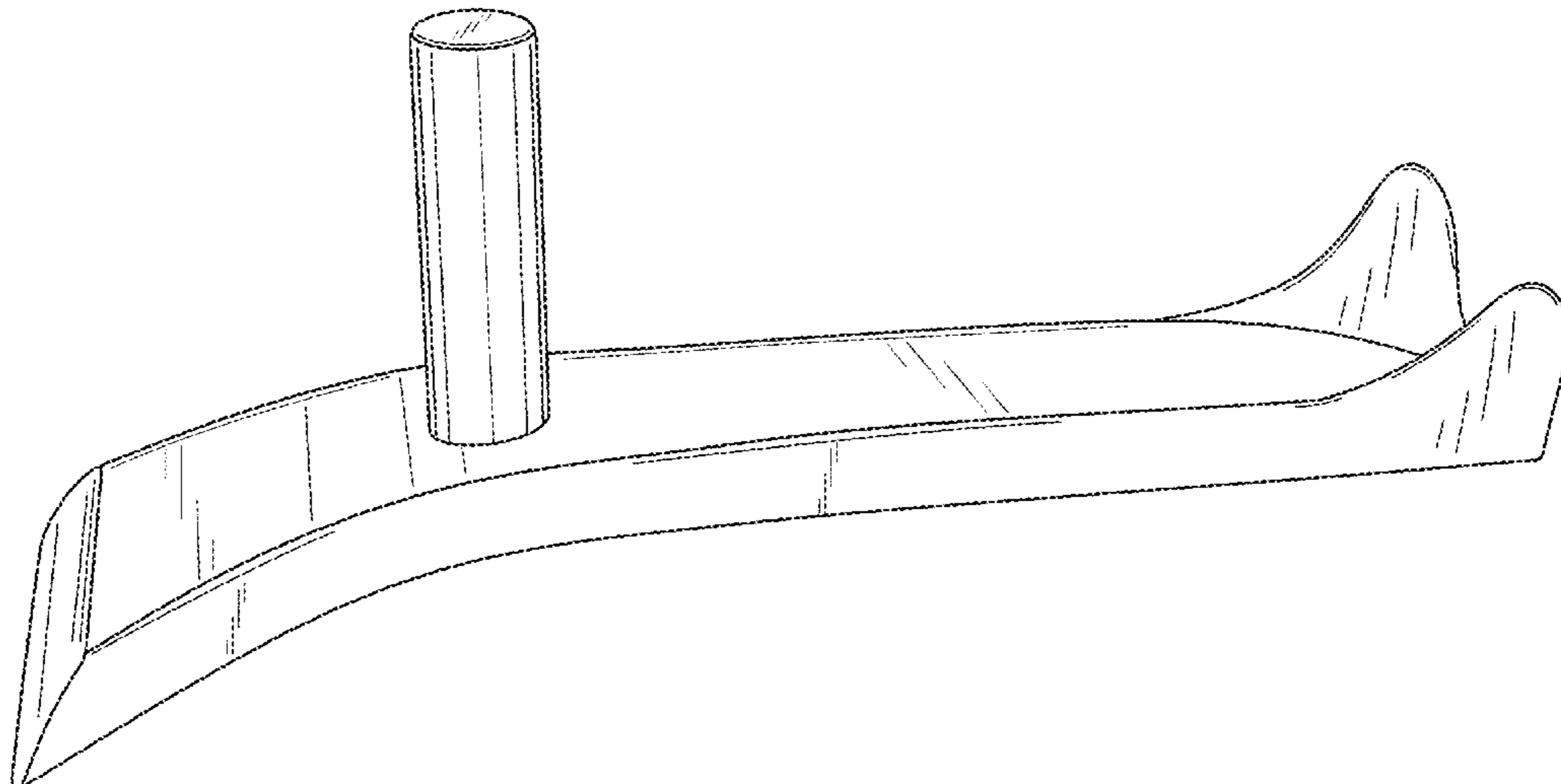
(57) **CLAIM**

The ornamental design for an ice scraper, as shown and described.

**DESCRIPTION**

FIG. 1 is a perspective front view of the ice scraper, showing my new design;  
 FIG. 2 is a front side view thereof;  
 FIG. 3 is a back side view thereof;  
 FIG. 4 is a right side view with the left side view being a mirror image thereof;  
 FIG. 5 is a top side view thereof; and,  
 FIG. 6 is a bottom side view thereof.

**1 Claim, 5 Drawing Sheets**



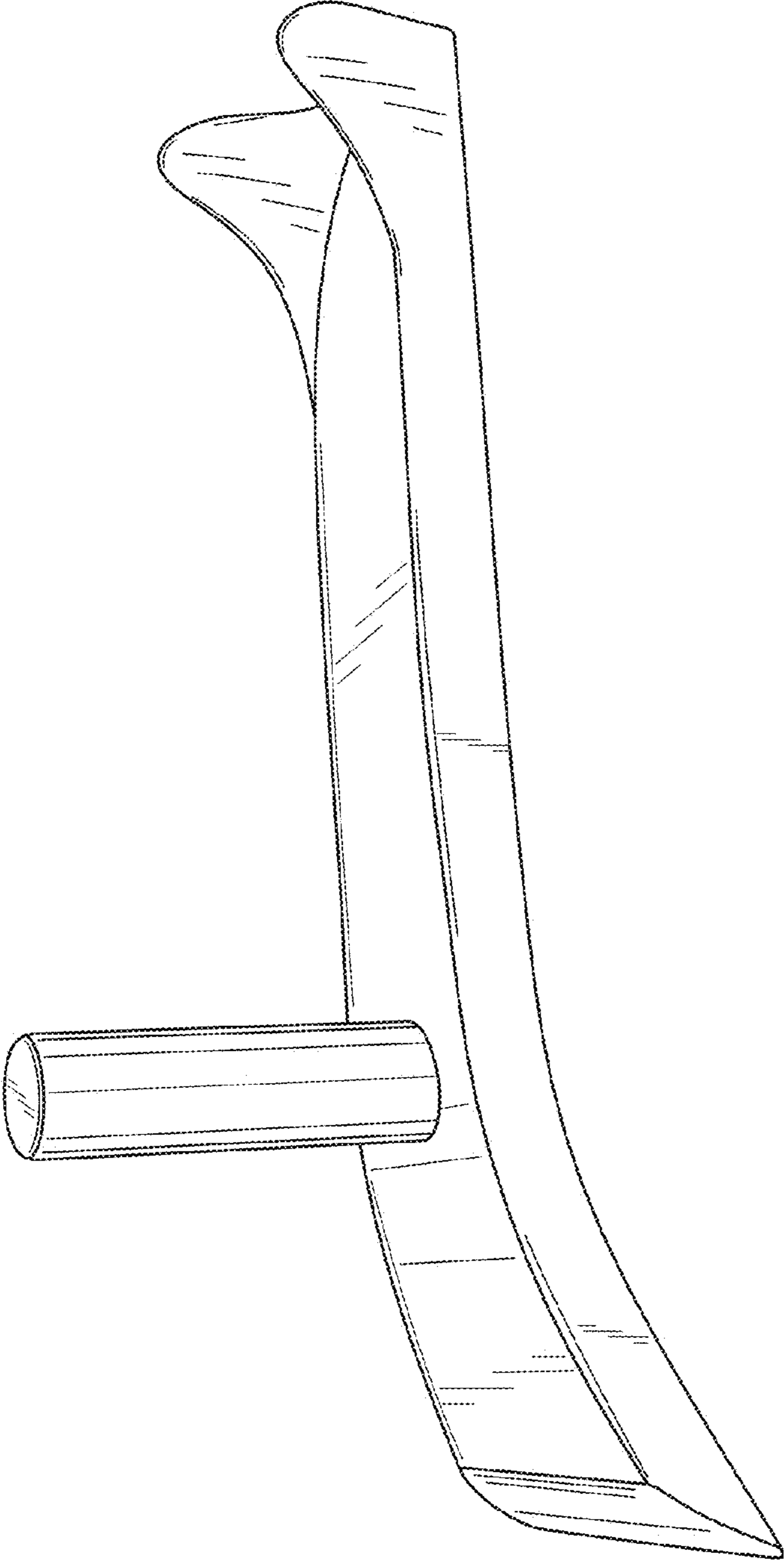


Fig. 1

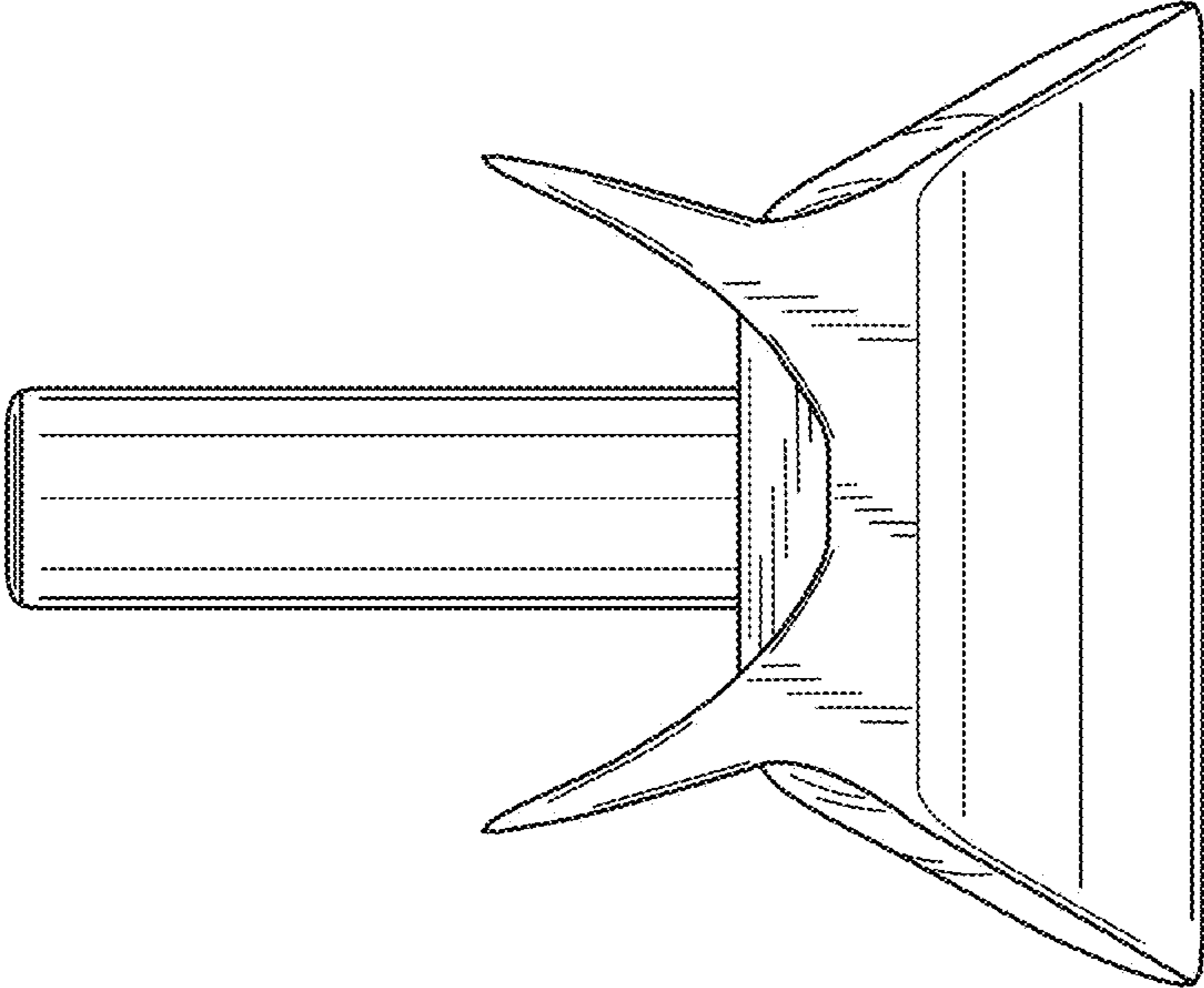


Fig. 3

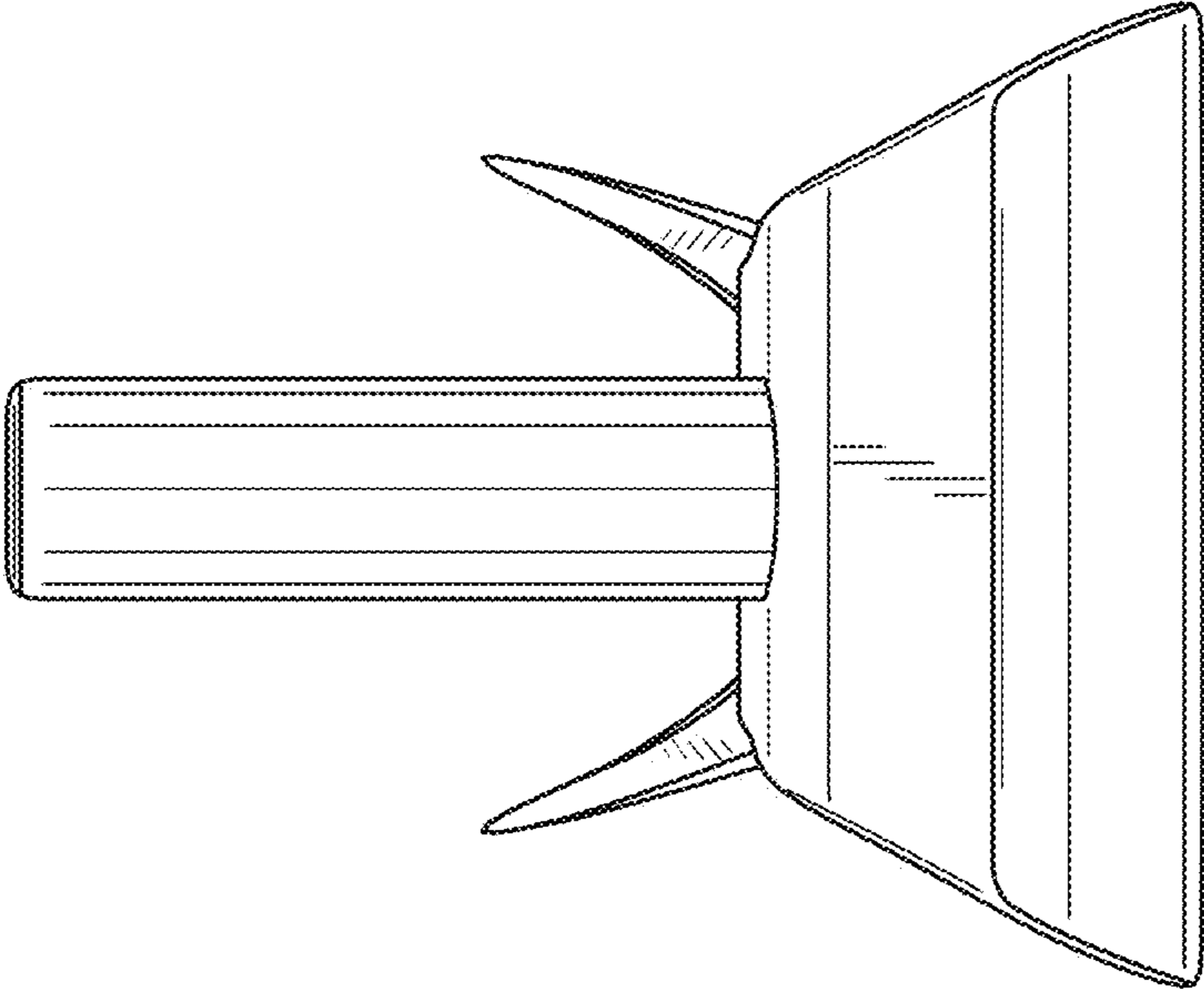


Fig. 2

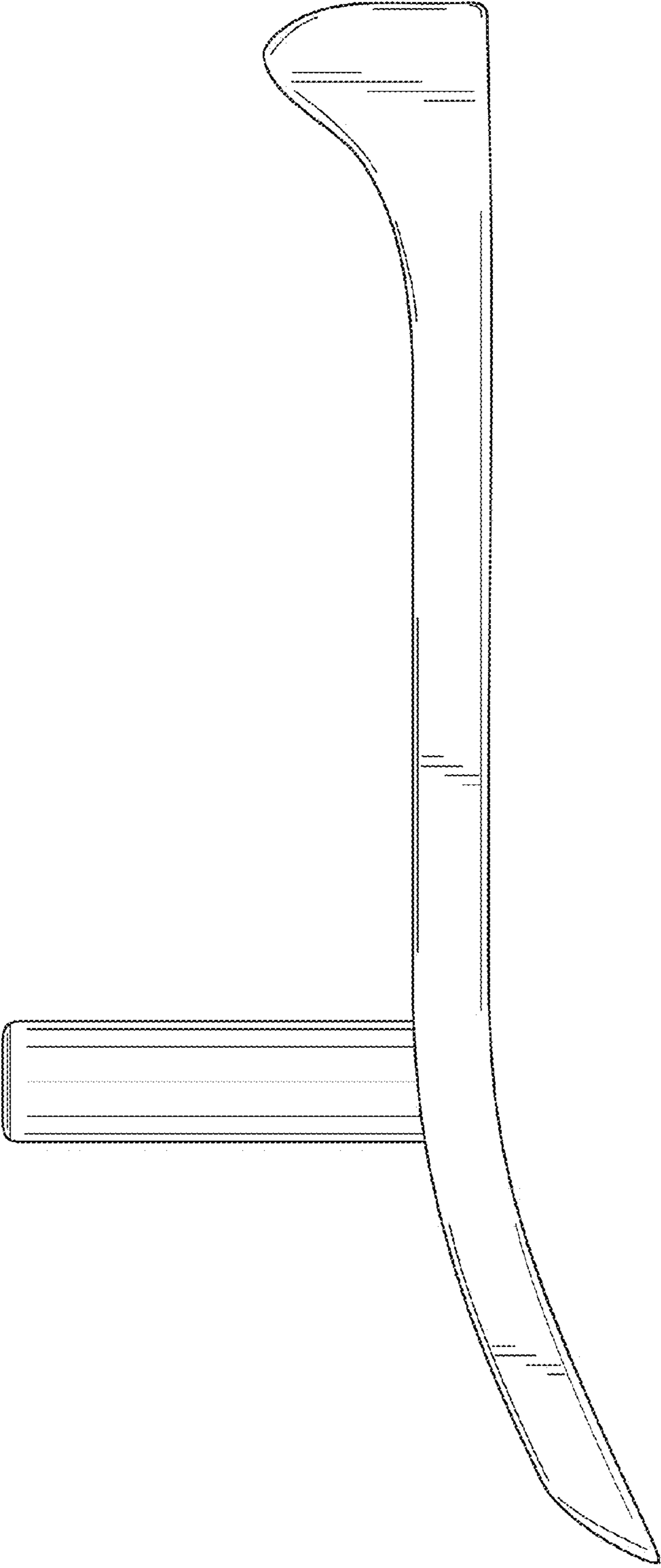


Fig. 4

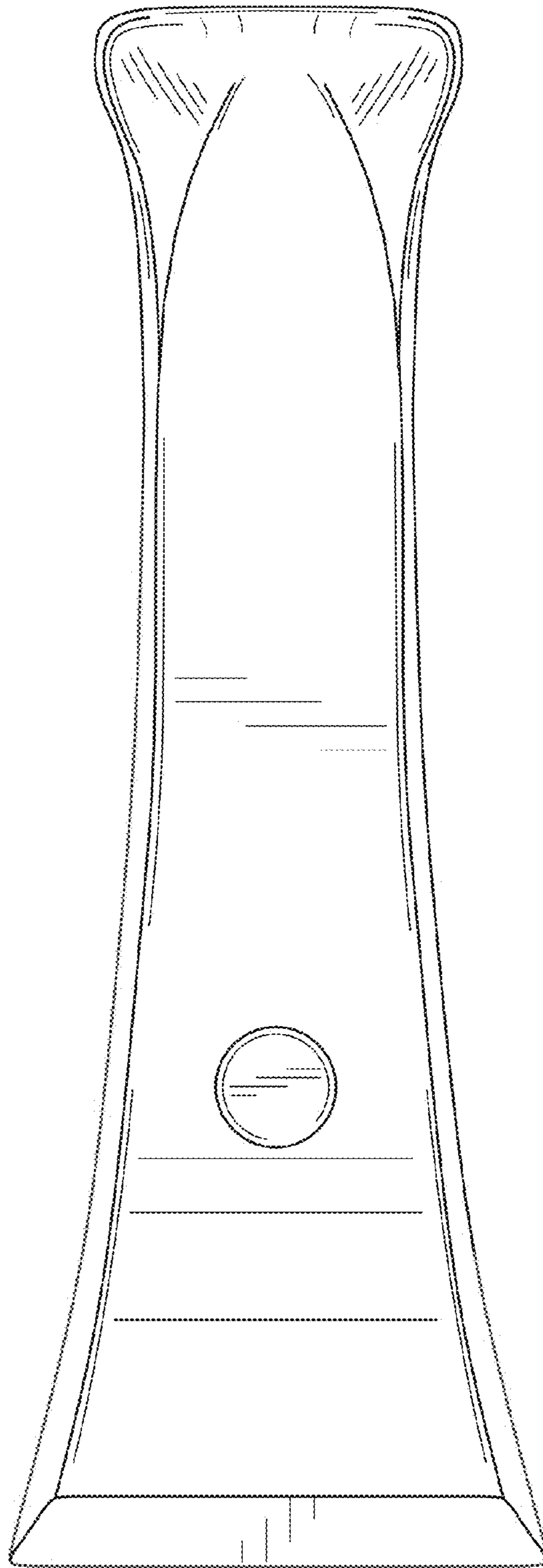


Fig. 5

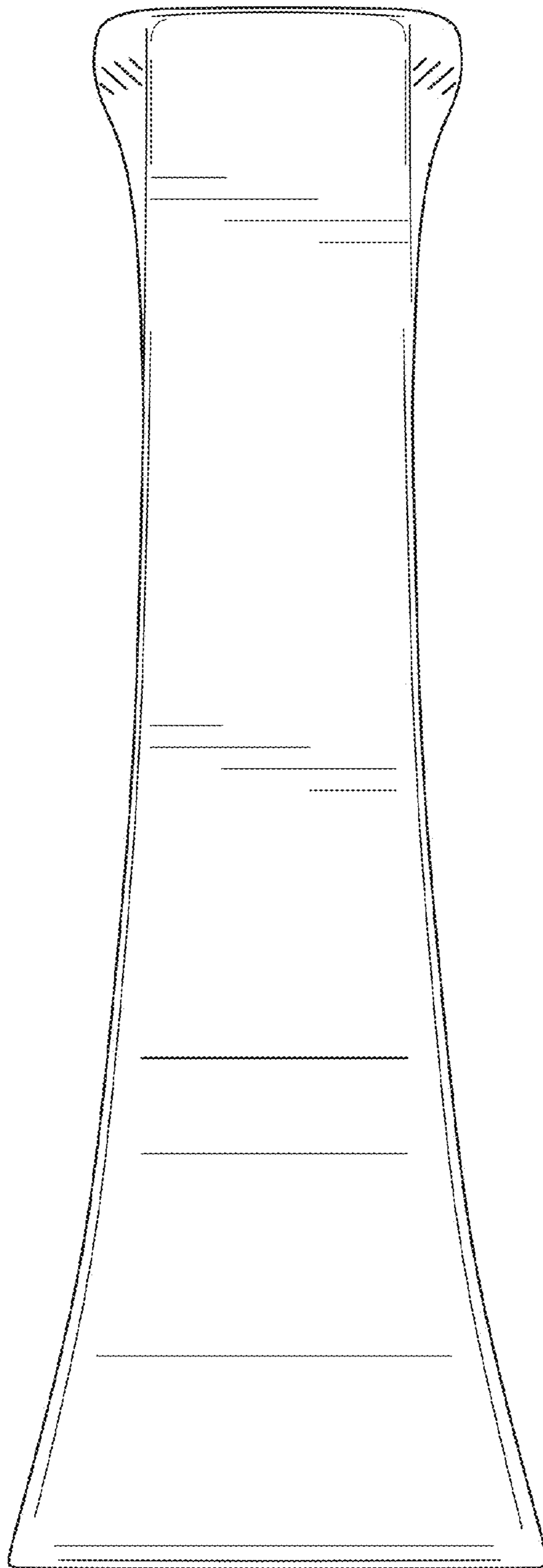


Fig. 6