



US00D756042S

(12) **United States Design Patent**  
**Kulesus et al.**

(10) **Patent No.:** **US D756,042 S**  
(45) **Date of Patent:** **\*\* May 10, 2016**

- (54) **PET FEEDER APPARATUS**
- (71) Applicant: **CATSBY, INC.**, New York, NY (US)
- (72) Inventors: **Loren Matthew Kulesus**, New York, NY (US); **Erik Christian Strom**, New York, NY (US)
- (73) Assignees: **Loren M. Kulesus**, New York, NY (US); **Erik C. Strom**, Brooklyn, NY (US)
- (\*\*) Term: **15 Years**
- (21) Appl. No.: **29/528,567**
- (22) Filed: **May 29, 2015**
- (51) **LOC (10) Cl.** ..... **30-03**
- (52) **U.S. Cl.**  
USPC ..... **D30/129**
- (58) **Field of Classification Search**  
USPC ..... D30/121, 122, 129-133; 119/61.5, 119/51.01, 61.56, 51.03, 59, 62, 63, 51.5, 119/57.8, 74, 61.54, 61.55, 61; 312/204; 248/151, 188; 108/156, 153.1-157; 220/23.87, 630, 737, 743, 9.4, 495.01, 220/574, 212, 255, 23.83, 575; 206/515; D7/586, 543, 550.1, 587, 505, 584, D7/545, 500, 553.1-553.8, 546, 555, 556, D7/504, 565, 562, 602, 507, 549, 558, D7/552.2, 560, 566, 548, 681; D9/429; 43/109; D22/122, 119; 99/430, DIG. 15  
CPC ..... A01K 5/01-5/0142; A01K 7/005  
See application file for complete search history.

(56) **References Cited**

**U.S. PATENT DOCUMENTS**

- 2,053,949 A \* 9/1936 Emery ..... B65D 1/34 220/574
- 2,623,369 A \* 12/1952 Haydu ..... A47G 19/10 248/362
- D352,139 S \* 11/1994 King ..... D30/130
- D353,233 S \* 12/1994 Robles ..... D30/130

- D377,961 S \* 2/1997 Dickson ..... D22/122
- D424,757 S \* 5/2000 Cooper ..... D30/129
- D439,707 S \* 3/2001 Hansen ..... D30/129
- D504,196 S \* 4/2005 Huthmaker ..... D30/129
- D516,255 S \* 2/2006 Maguire ..... D30/129
- D600,862 S \* 9/2009 Sin ..... D30/129
- D655,054 S \* 2/2012 Lipscomb ..... D30/129
- D703,393 S \* 4/2014 Henley ..... D30/129
- D716,003 S \* 10/2014 Brown ..... D30/129
- 2004/0231607 A1 \* 11/2004 Hollinger ..... A01K 5/0114 119/61.54

(Continued)

*Primary Examiner* — Susan Moon Lee

(74) *Attorney, Agent, or Firm* — Law Offices of Alozie Etufugh, PLLC

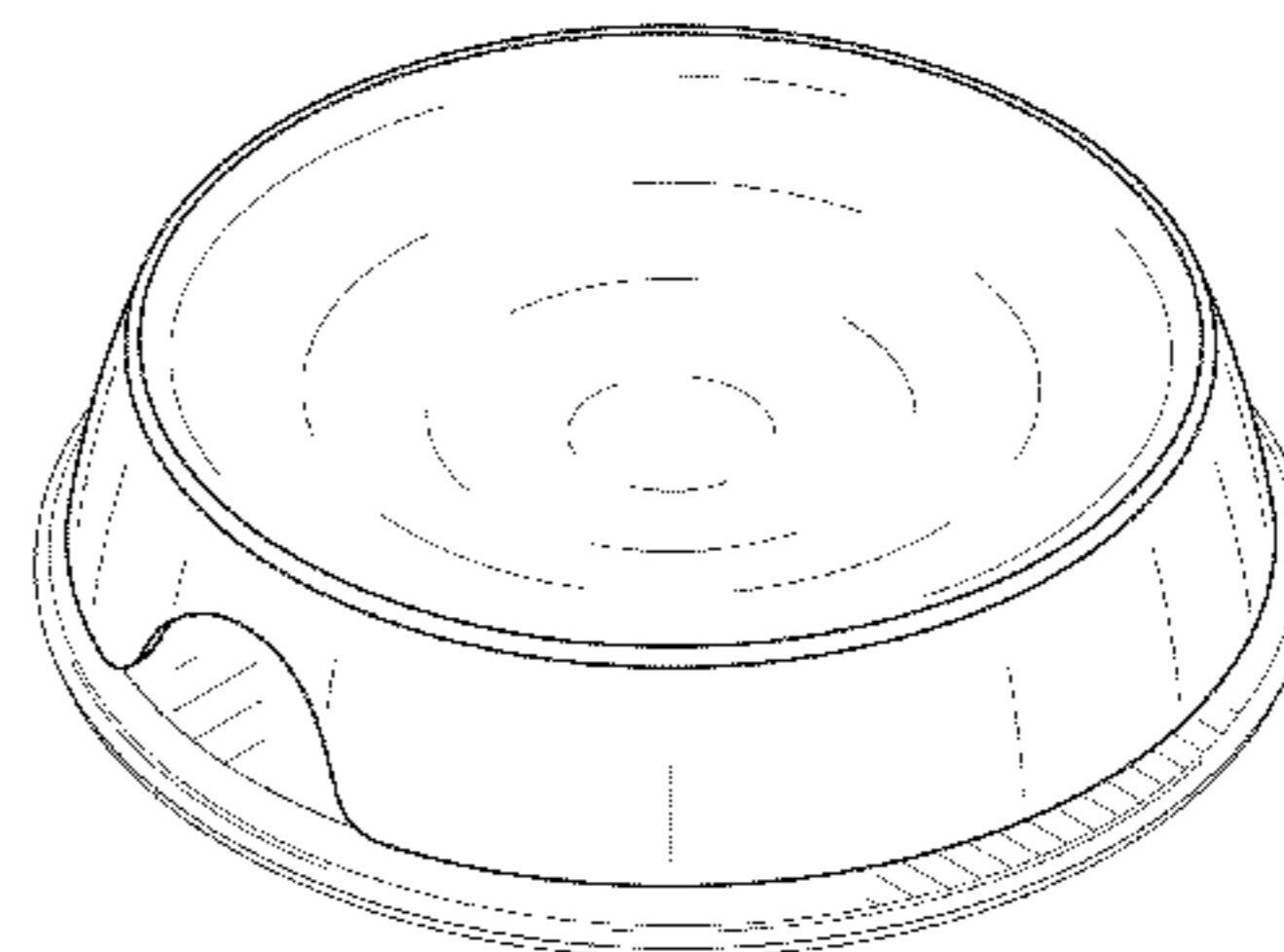
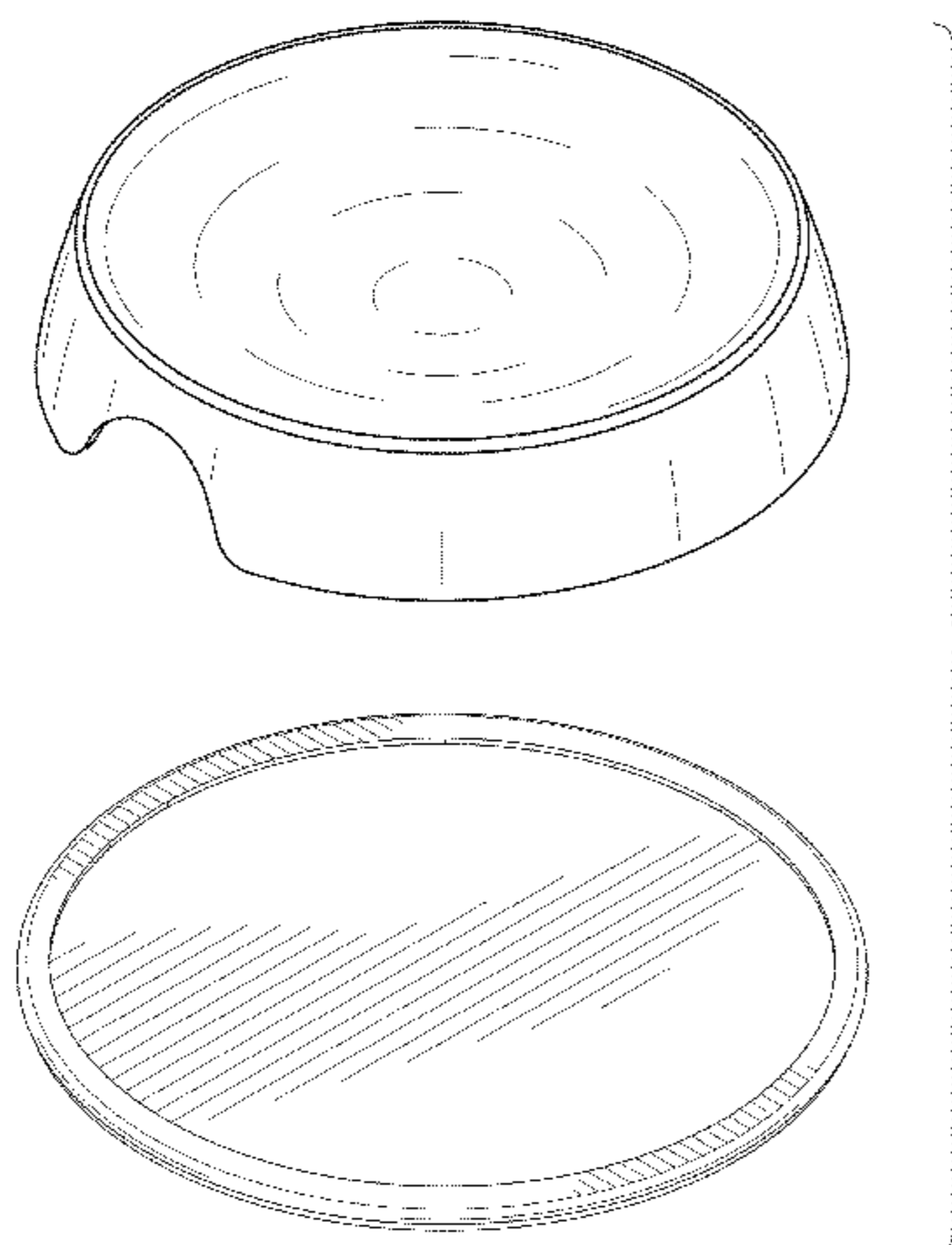
(57) **CLAIM**

We claim the ornamental design for a pet feeder apparatus, as shown and described.

**DESCRIPTION**

FIG. 1 is an exploded top perspective view of a pet feeder apparatus in accordance with our new design;  
 FIG. 2 is an exploded bottom perspective view thereof;  
 FIG. 3 is a top plan view thereof;  
 FIG. 4 is a bottom view thereof;  
 FIG. 5 is a right side elevation view of the pet feeder apparatus in explosion, the left side elevation being a mirror image thereof;  
 FIG. 6 is a front elevation view thereof;  
 FIG. 7 is a rear elevation view thereof;  
 FIG. 8 is an assembled top perspective view of the pet feeder apparatus;  
 FIG. 9 is a bottom perspective view thereof;  
 FIG. 10 is a top plan view thereof;  
 FIG. 11 is a bottom view thereof;  
 FIG. 12 is a right side elevation view of the assembled pet feeder apparatus, the left side elevation being a mirror image thereof;  
 FIG. 13 is a front elevation view thereof; and,  
 FIG. 14 is a rear elevation view thereof.

**1 Claim, 8 Drawing Sheets**



(56)

**References Cited**

U.S. PATENT DOCUMENTS

2009/0041910	A1 *	2/2009	Rabinovitch .....	A01K 5/0128 426/115	2010/0275852	A1 *	11/2010	Lipscomb .....	A01K 5/0114 119/61.5
2010/0012042	A1 *	1/2010	Lee .....	A01K 5/01 119/61.5	2012/0222624	A1 *	9/2012	Lanter .....	A01K 5/0114 119/61.52
					2014/0326189	A1 *	11/2014	Jain .....	A01K 5/0135 119/61.5

\* cited by examiner

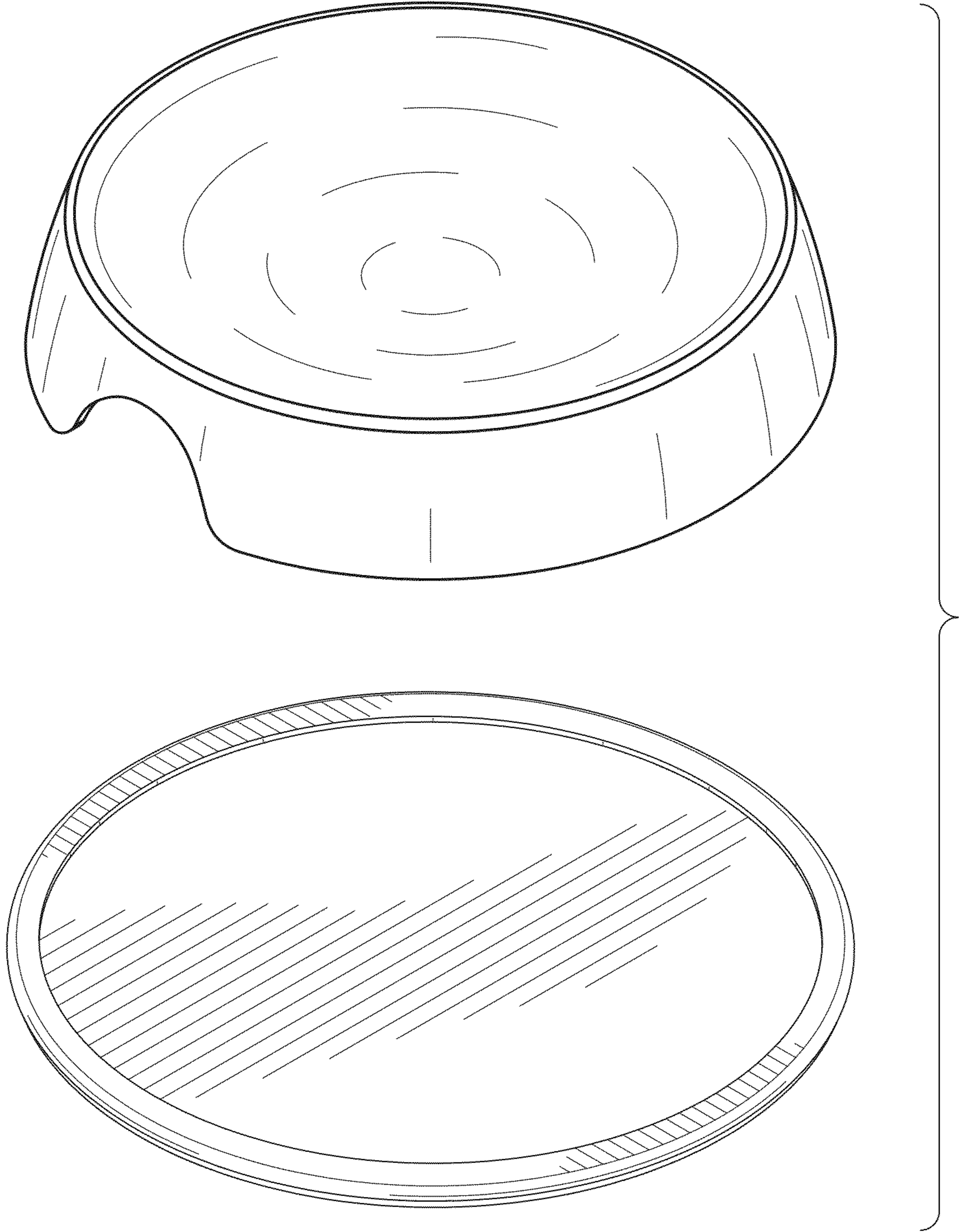


FIG. 1

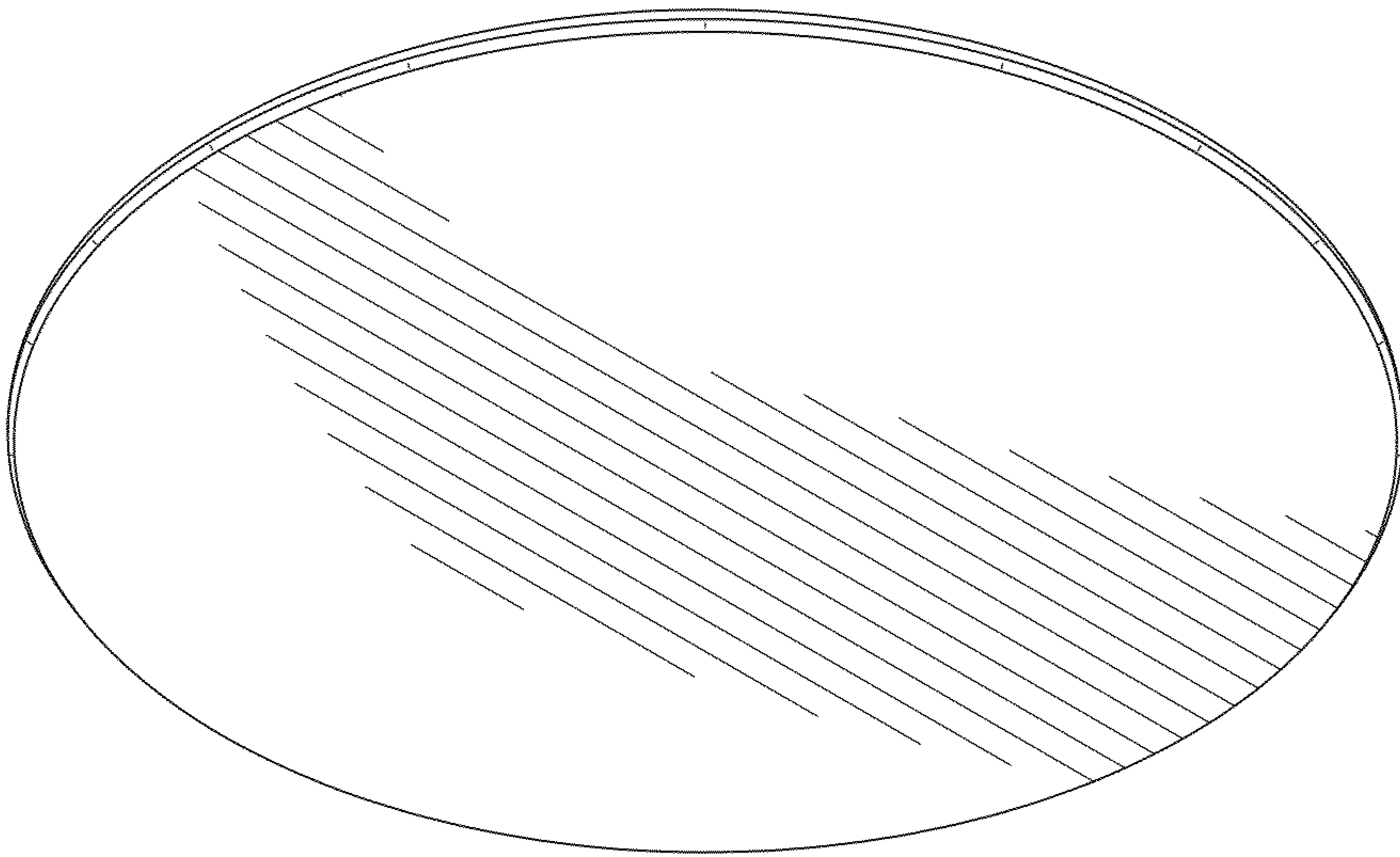
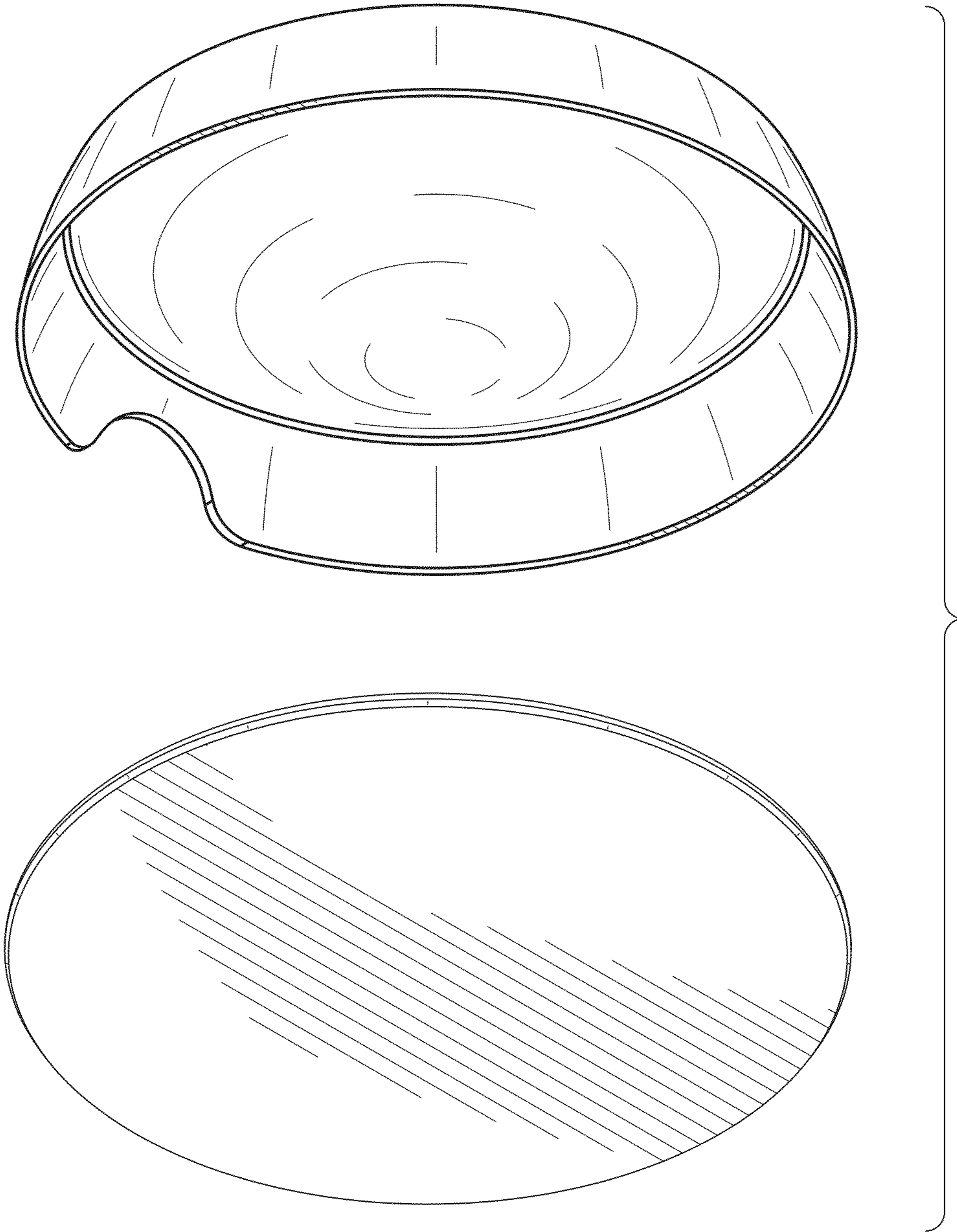


FIG. 2

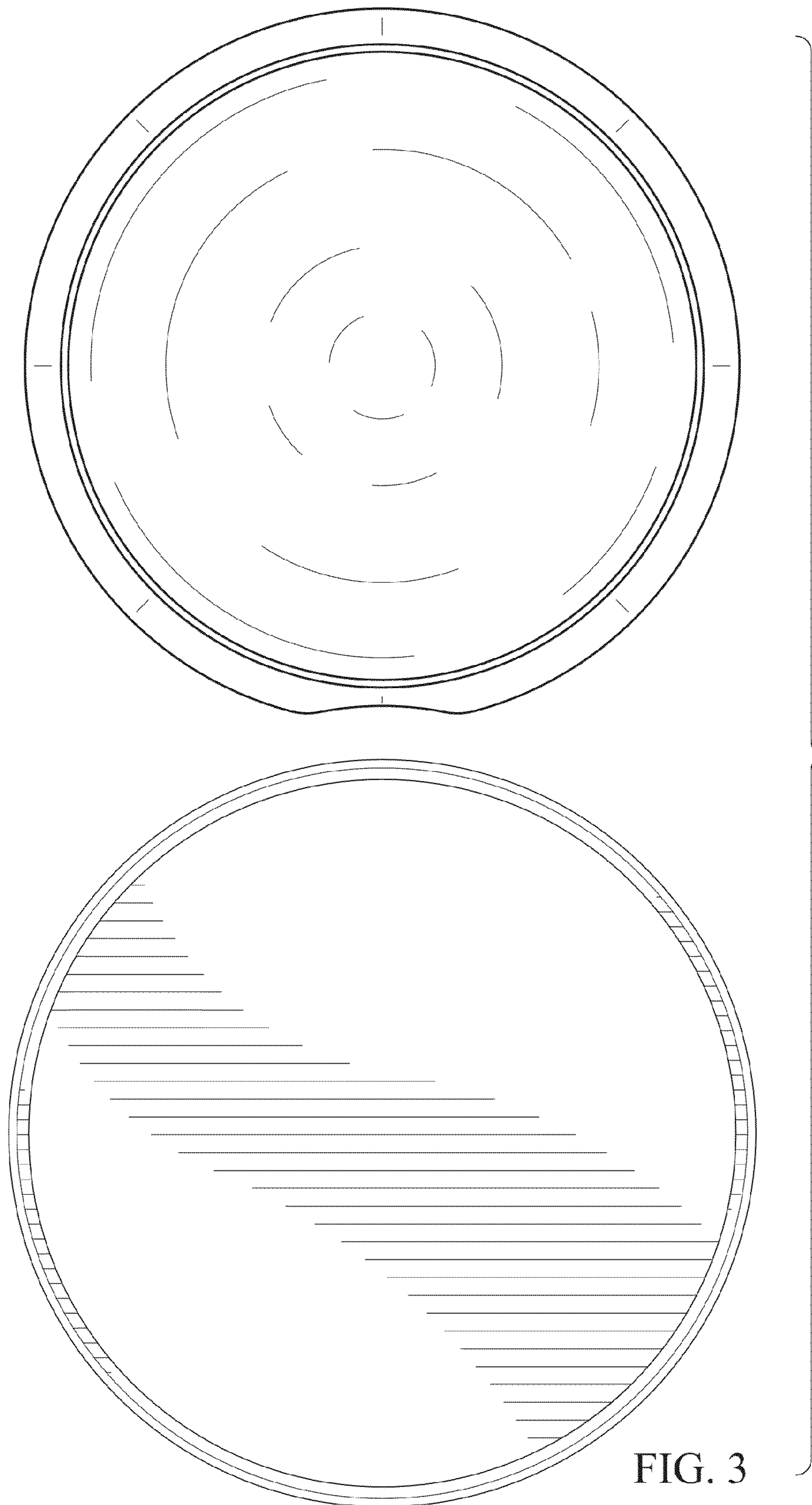


FIG. 3

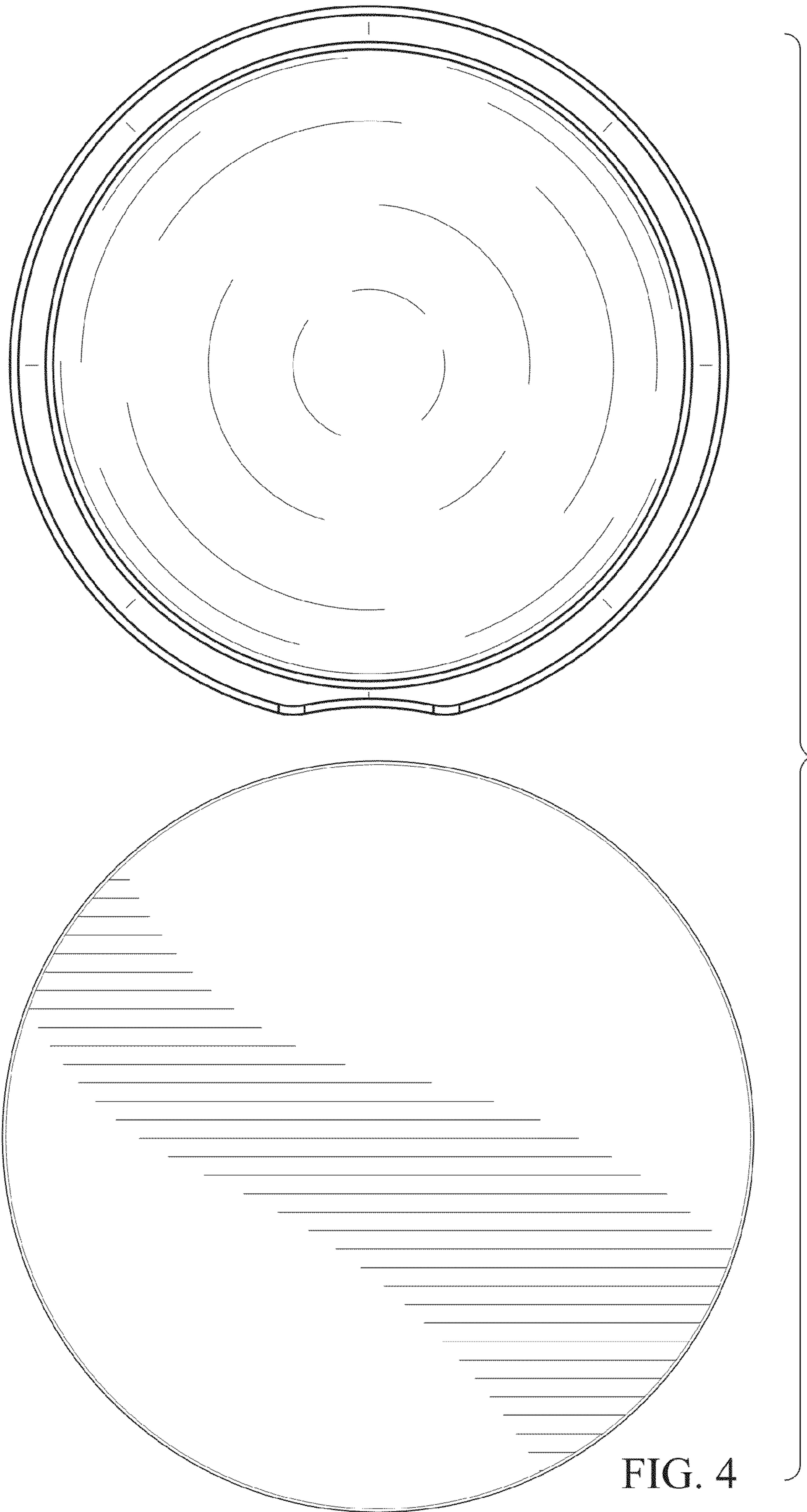
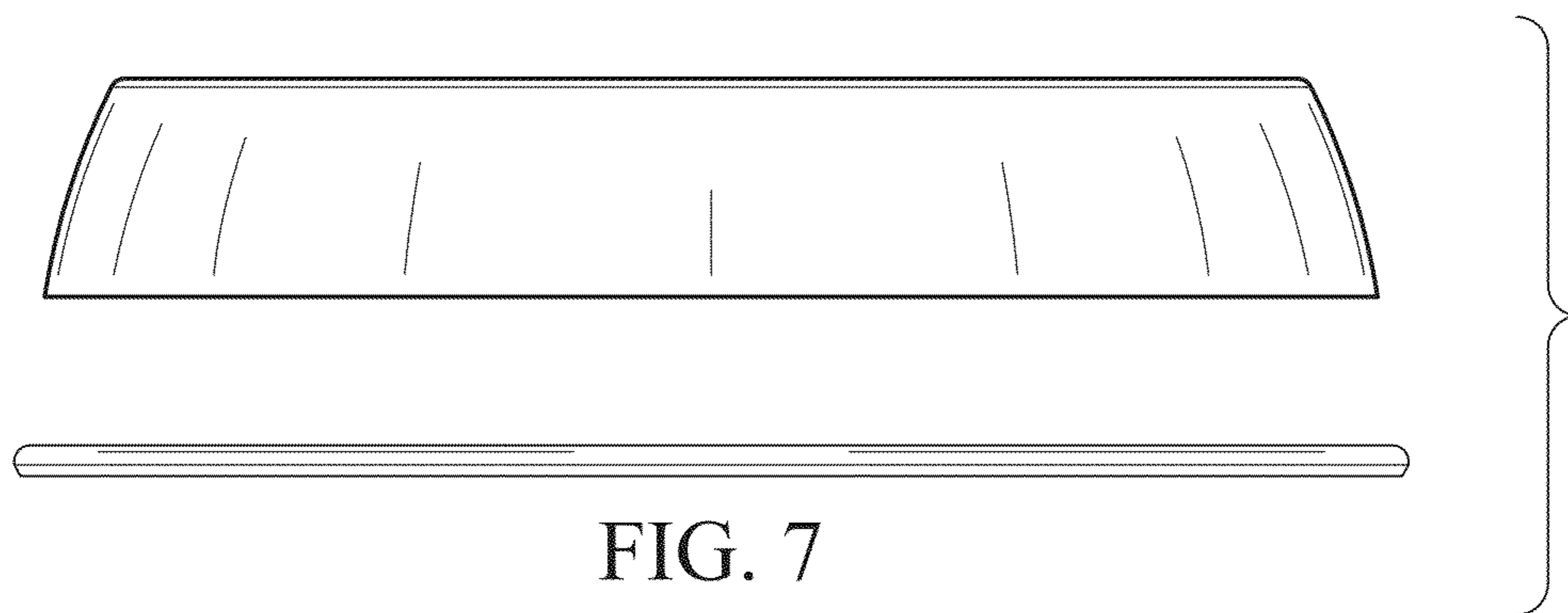
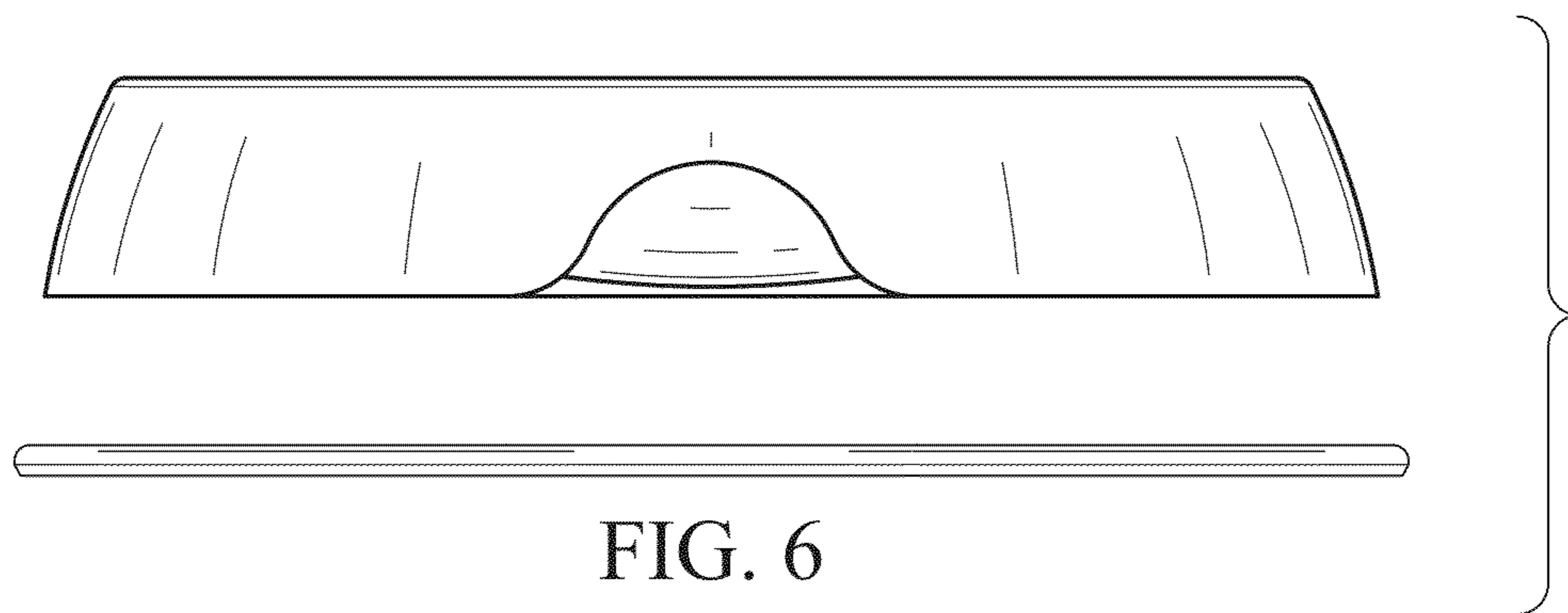
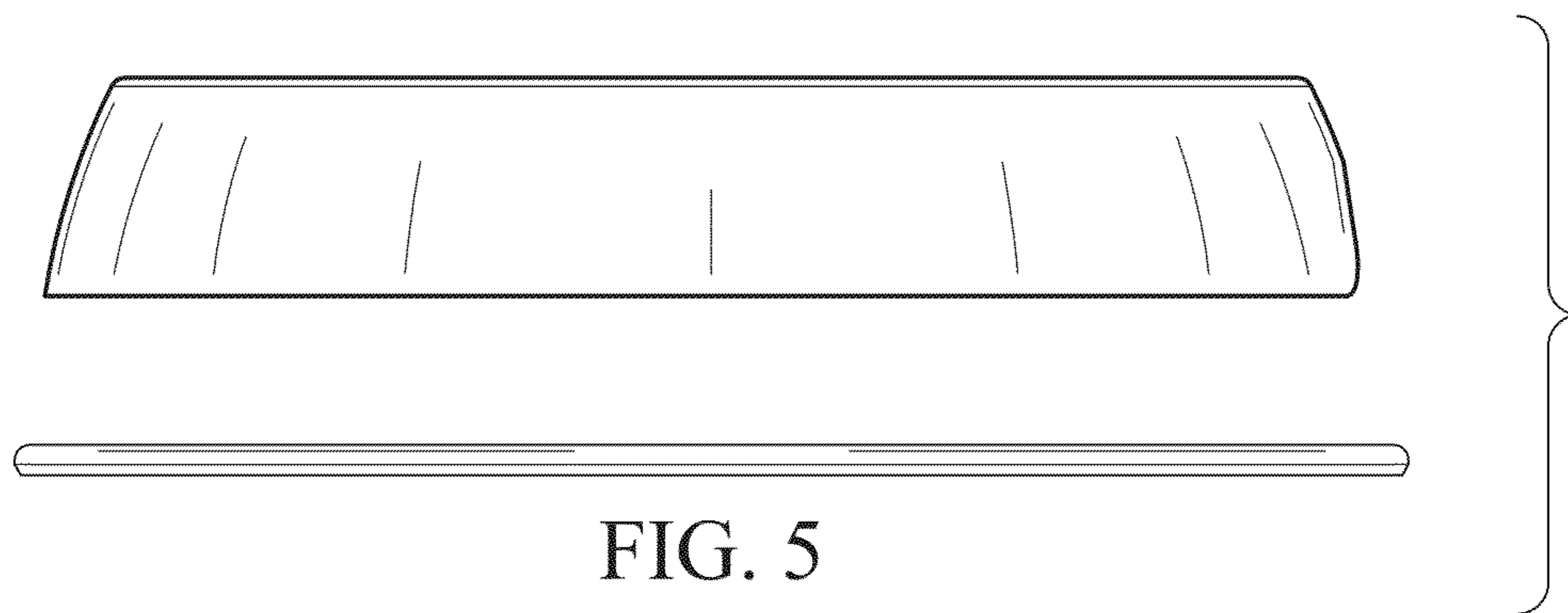


FIG. 4



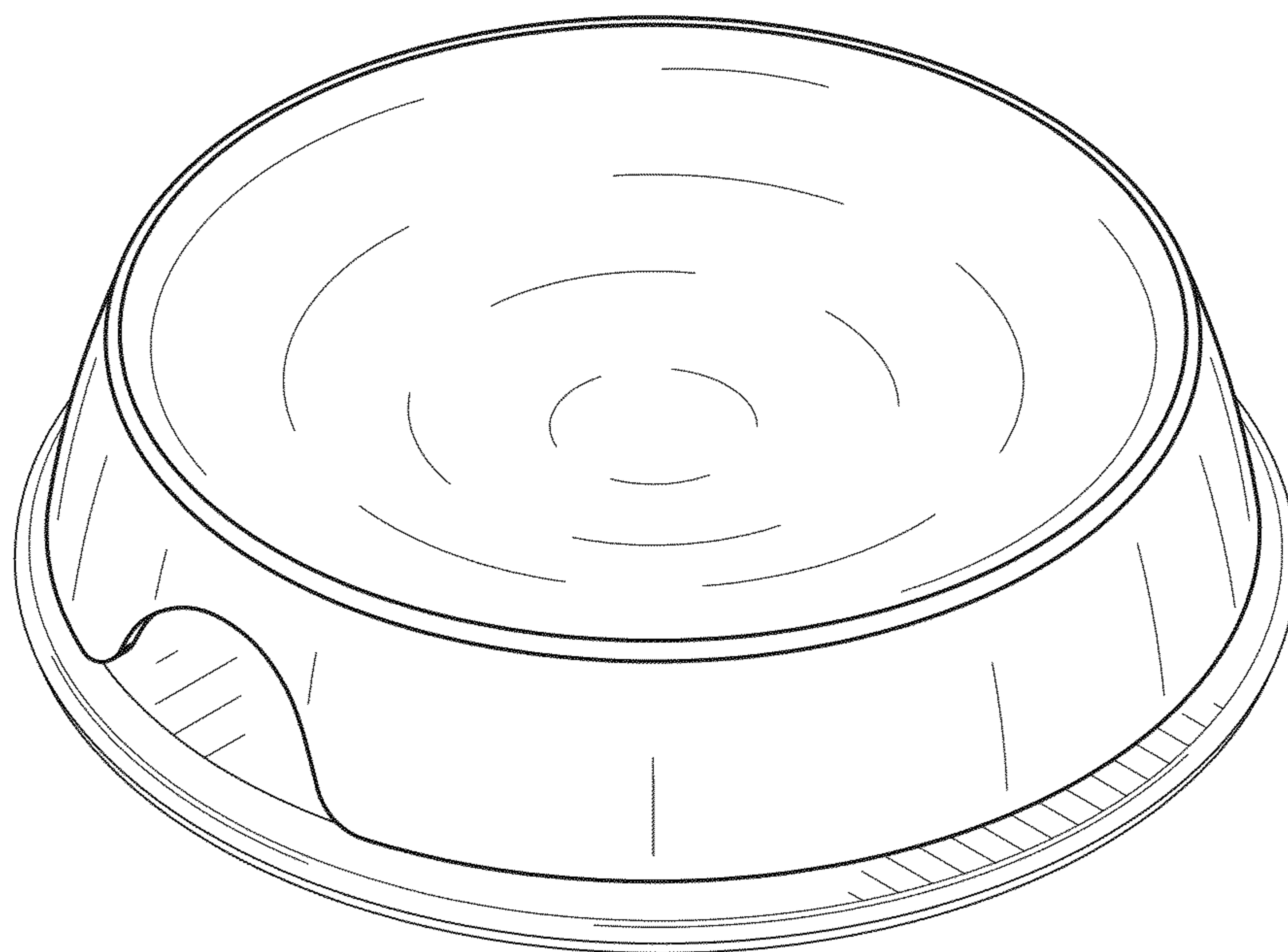


FIG. 8

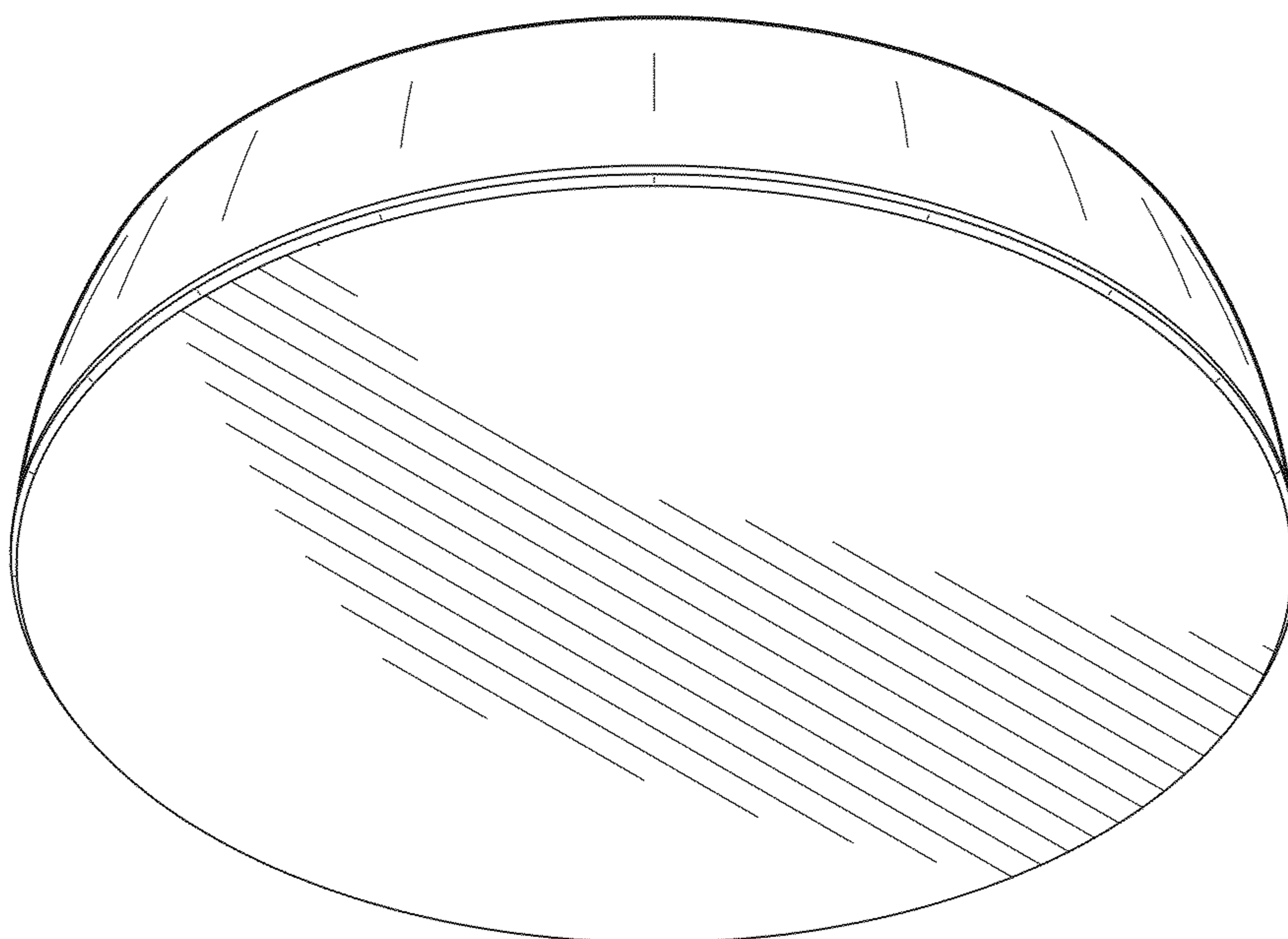


FIG. 9



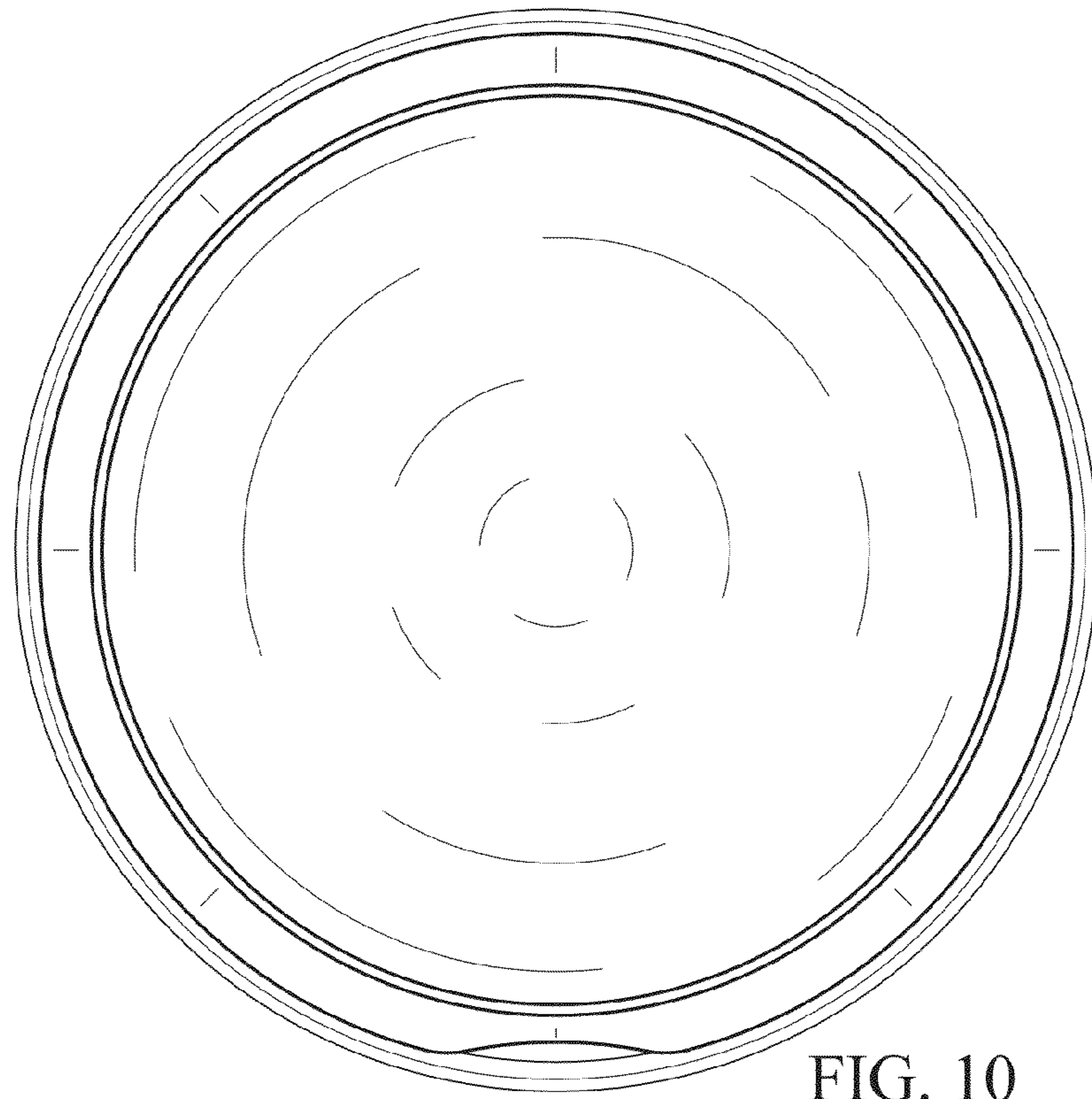


FIG. 10

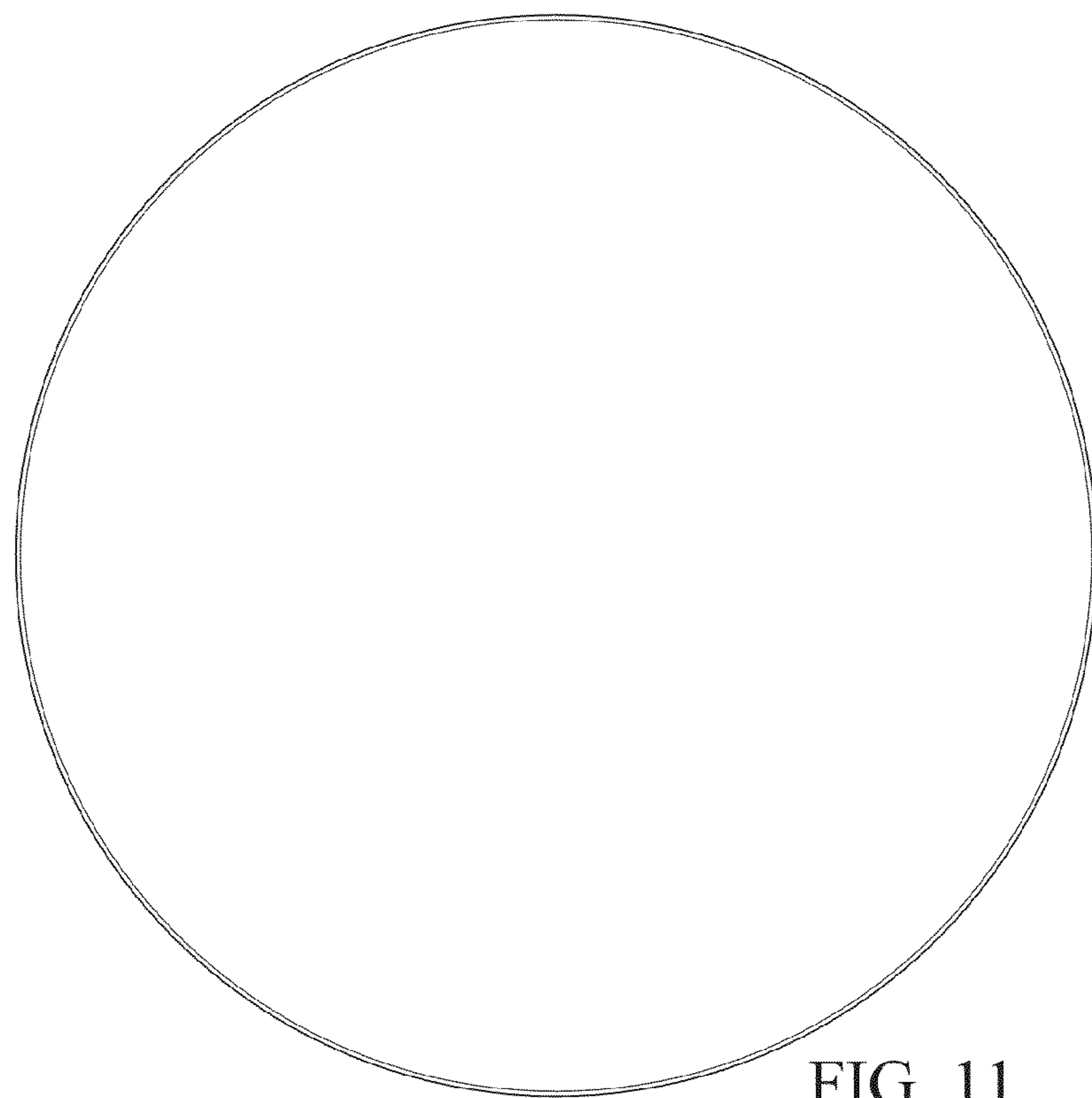


FIG. 11

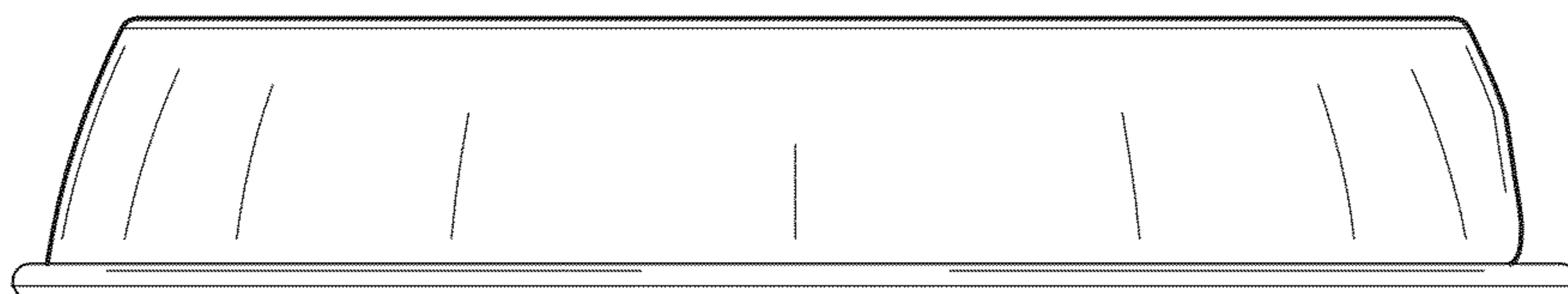


FIG. 12

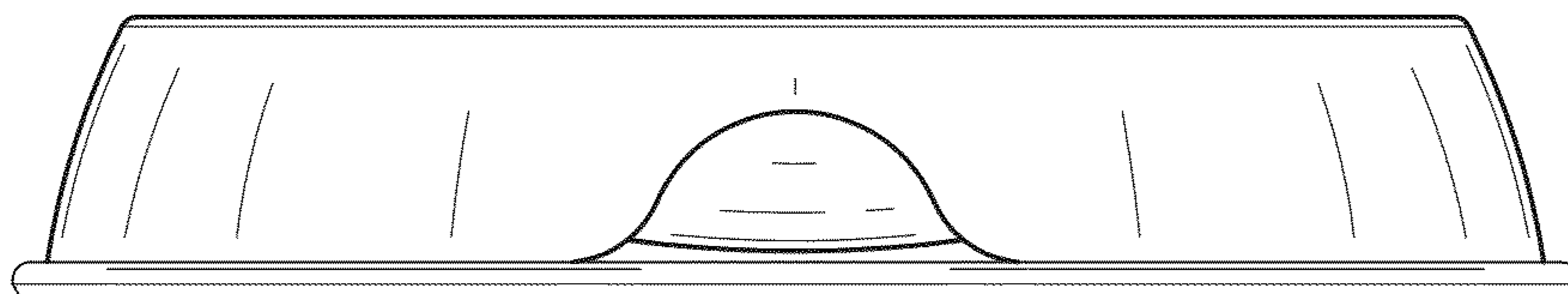


FIG. 13

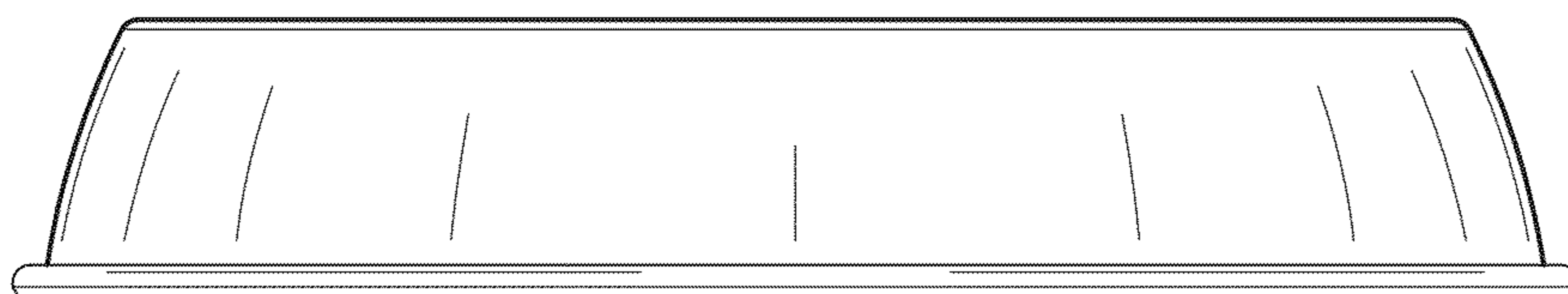


FIG. 14