

US00D756040S

(12) **United States Design Patent**  
**Rathbone**

(10) **Patent No.:** **US D756,040 S**

(45) **Date of Patent:** **\*\* May 10, 2016**

(54) **AQUARIUM STAND**

7,610,878 B2 \* 11/2009 Stime, Jr. .... A01K 63/003  
119/245

(71) Applicant: **Russell Ryan Rathbone**, Seattle, WA  
(US)

D669,643 S \* 10/2012 Kilroy ..... D30/104

(72) Inventor: **Russell Ryan Rathbone**, Seattle, WA  
(US)

\* cited by examiner

(\*\*) Term: **15 Years**

*Primary Examiner* — Wan Laymon

(21) Appl. No.: **29/528,690**

(74) *Attorney, Agent, or Firm* — Christensen O'Connor  
Johnson Kindness PLLC

(22) Filed: **May 29, 2015**

(51) **LOC (10) Cl.** ..... **30-02**

(52) **U.S. Cl.**  
USPC ..... **D30/101**

(57) **CLAIM**

The ornamental design for an aquarium stand, as shown and described.

(58) **Field of Classification Search**

USPC ..... D30/101–107; D6/661, 663, 665, 657  
CPC .... A01K 63/00; A01K 63/003; A01K 63/006  
See application file for complete search history.

**DESCRIPTION**

FIG. 1 is a front right perspective view of an aquarium stand in accordance with the present design;  
FIG. 2 is a front view of the aquarium stand shown in FIG. 1;  
FIG. 3 is a back view of the aquarium stand shown in FIG. 1;  
FIG. 4 is a top view of the aquarium stand shown in FIG. 1;  
FIG. 5 is a bottom view of the aquarium stand shown in FIG. 1;  
FIG. 6 is a left side view of the aquarium stand shown in FIG. 1; and,  
FIG. 7 is a right side view of the aquarium stand shown in FIG. 1.

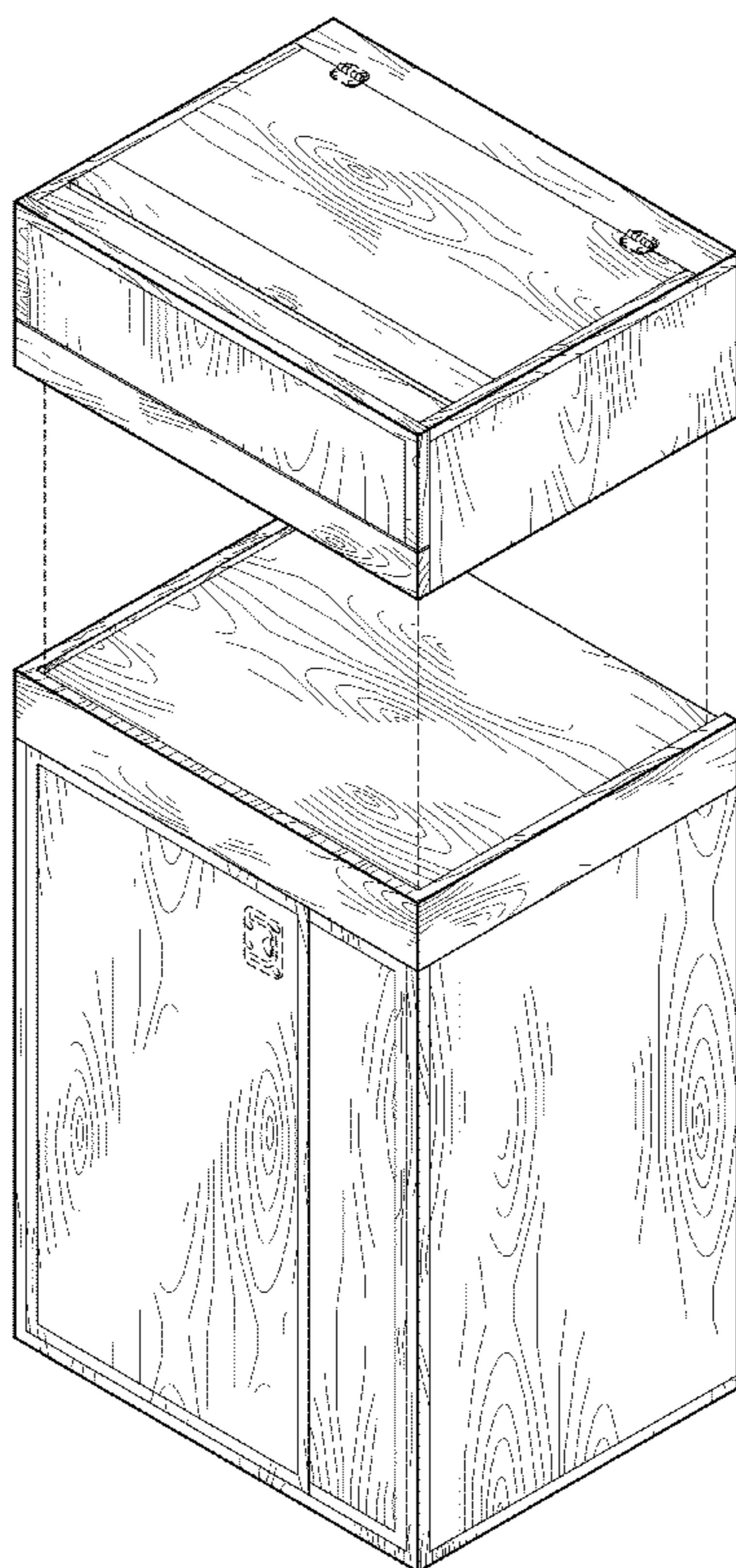
The broken line showing of an aquarium stand is for the purpose of illustrating environmental structure and forms no part of the claimed design.

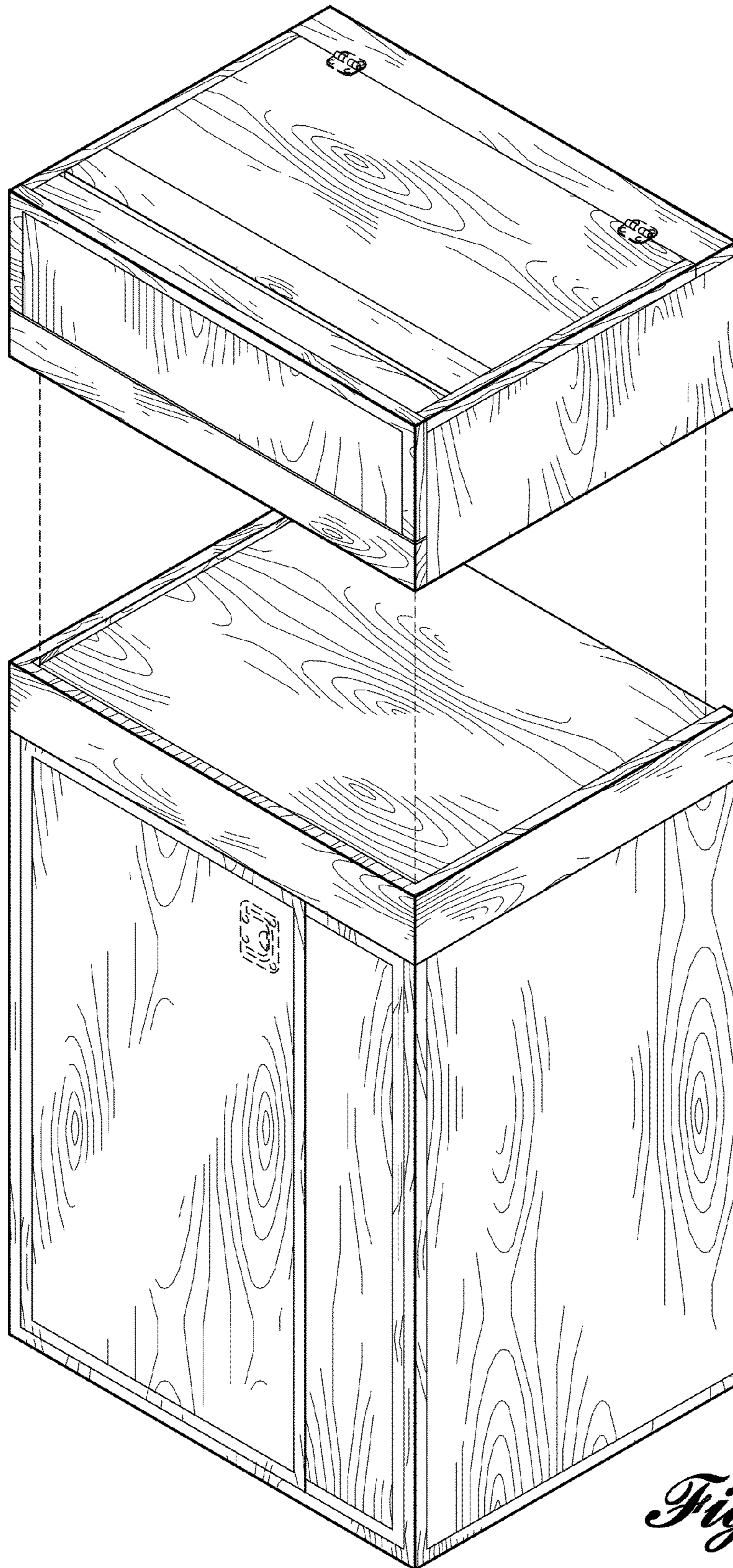
(56) **References Cited**

**U.S. PATENT DOCUMENTS**

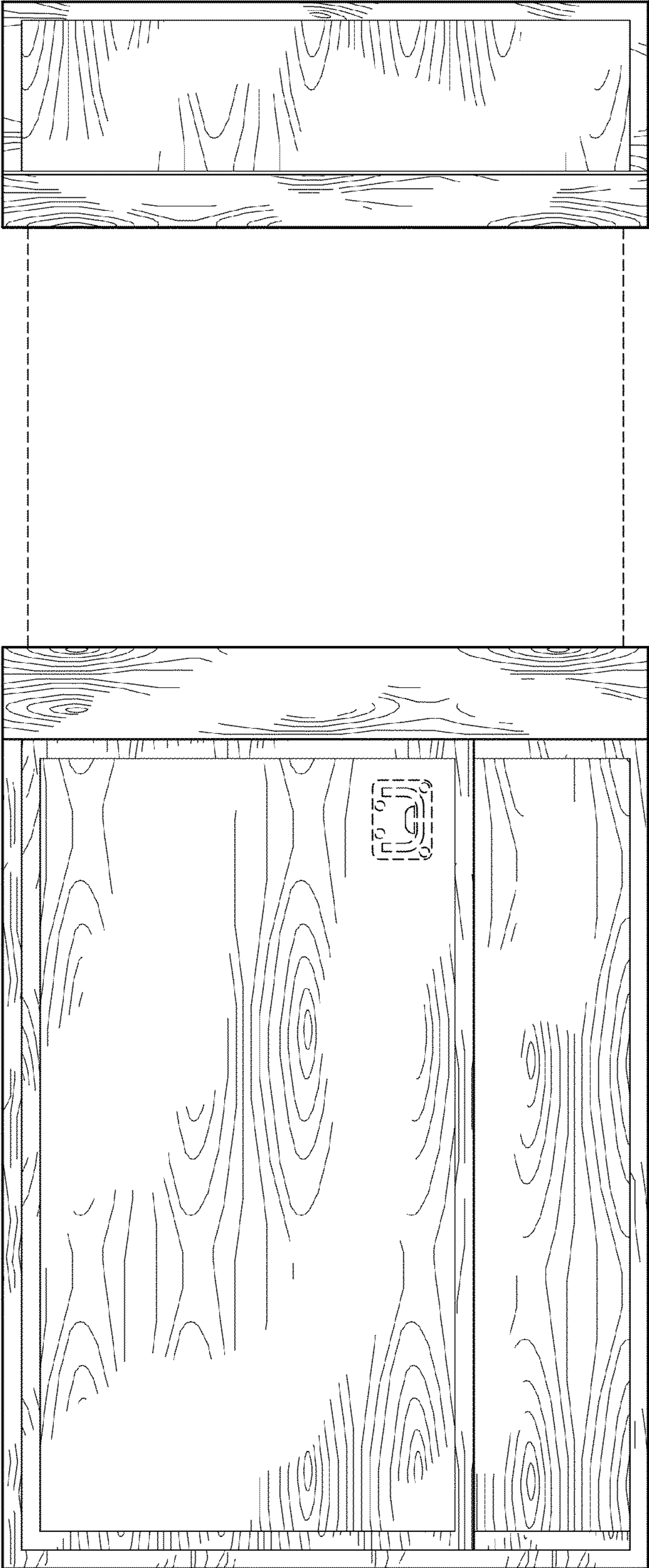
5,263,772 A \* 11/1993 Ritzow ..... A01K 63/006  
119/247  
D383,623 S \* 9/1997 Goodwin ..... D30/101  
7,165,749 B2 \* 1/2007 Venezia ..... A01K 63/006  
248/146  
7,421,976 B1 \* 9/2008 Travers ..... A01K 63/003  
119/264

**1 Claim, 6 Drawing Sheets**

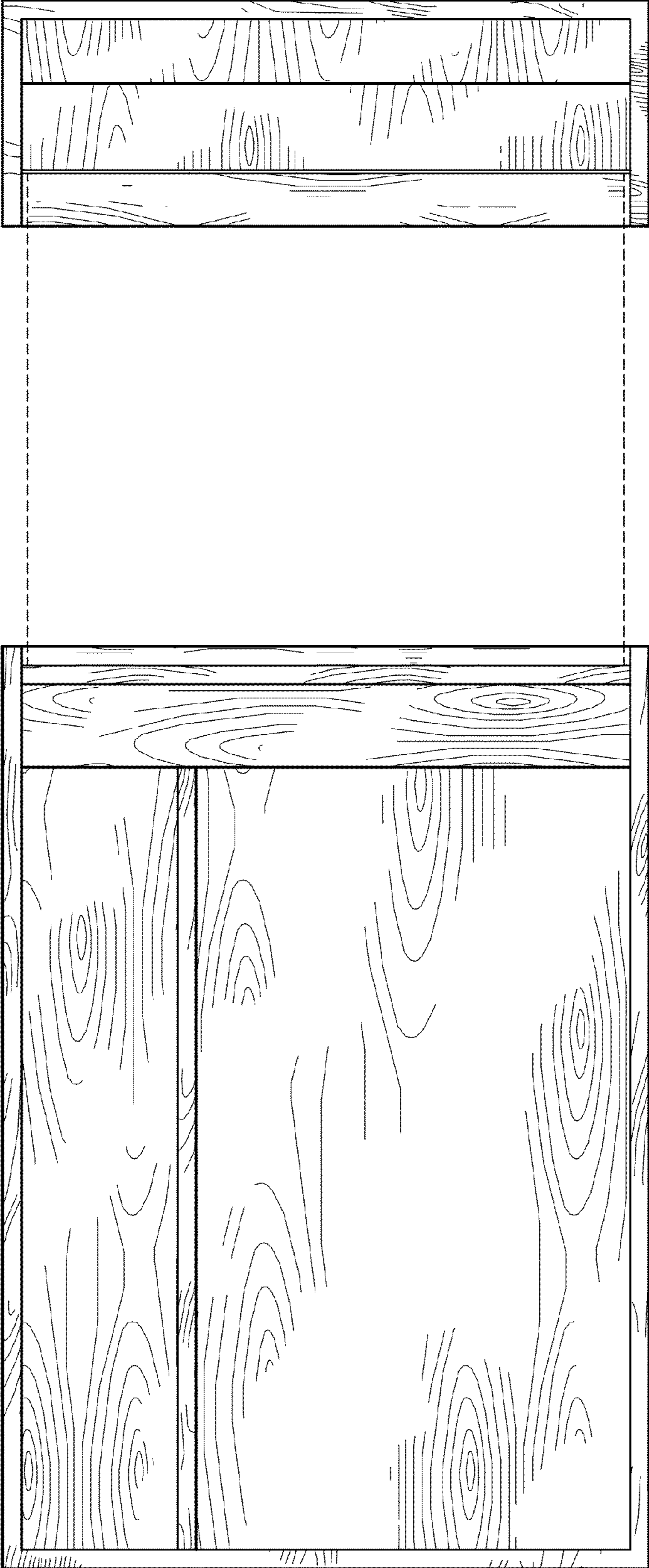




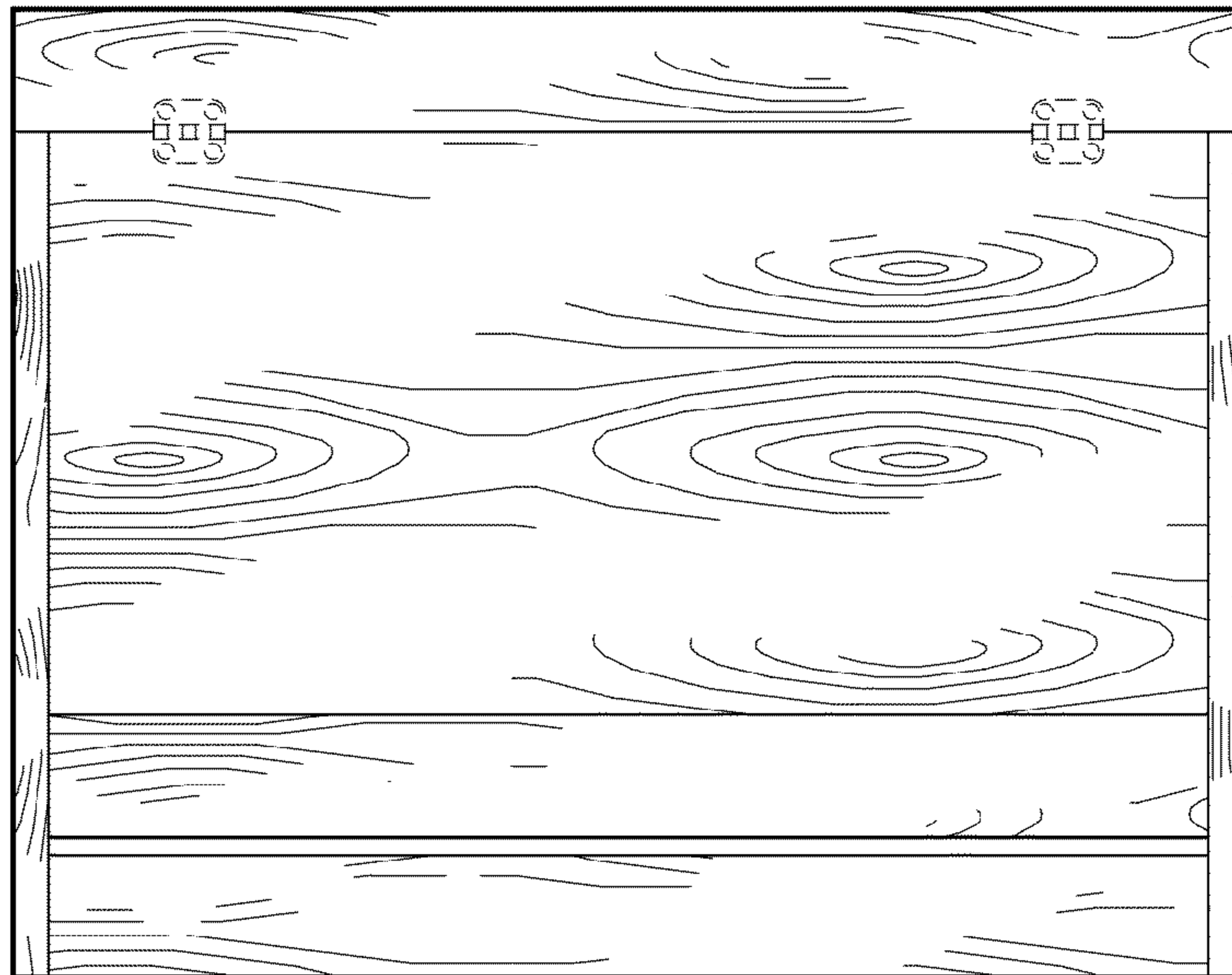
*Fig. 1.*



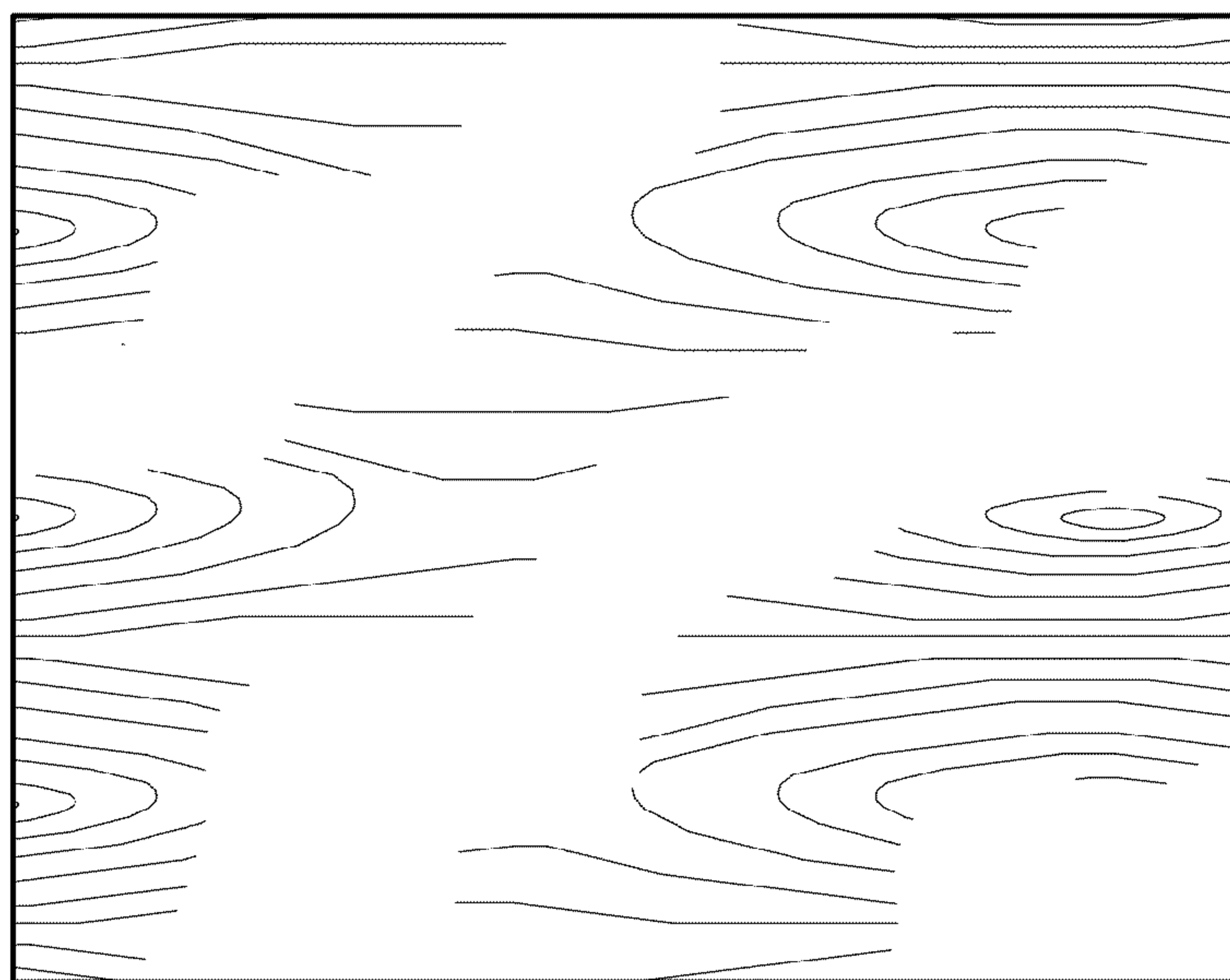
*Fig. 2.*



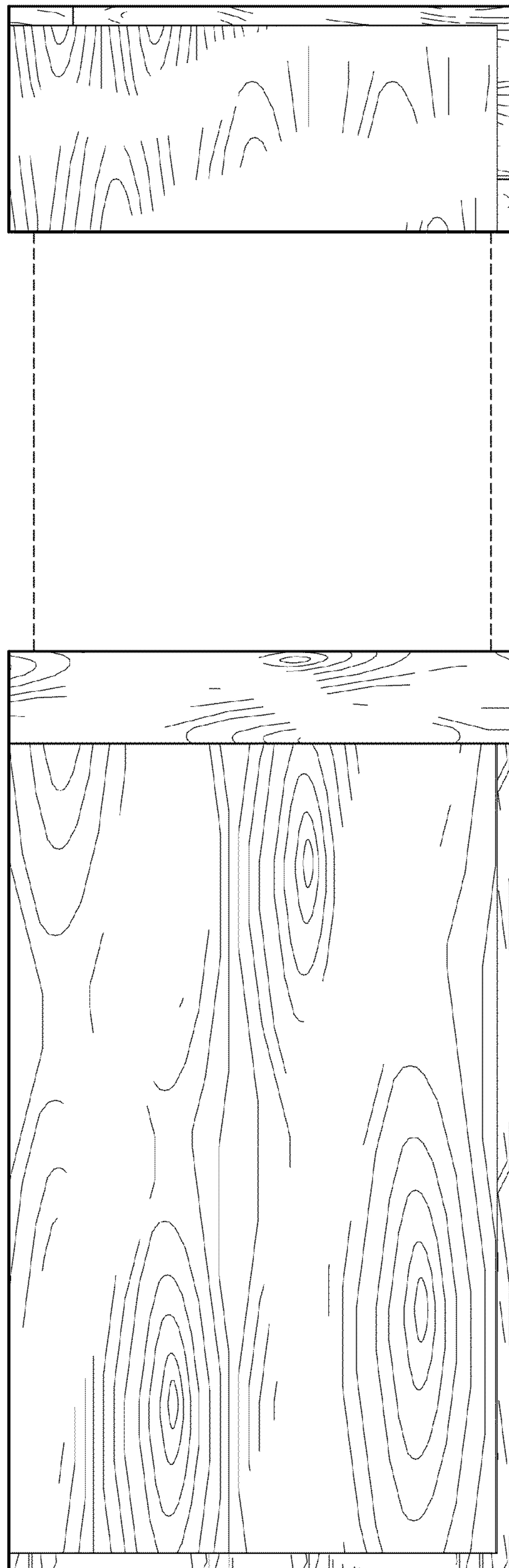
*Fig. 3.*



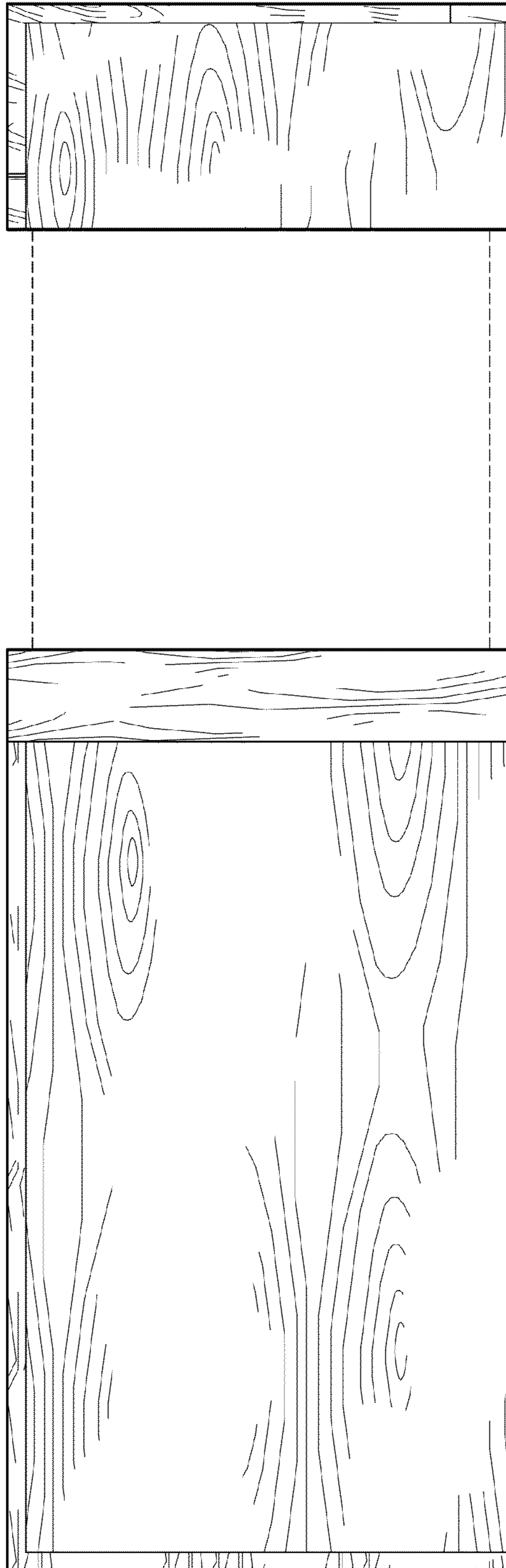
*Fig. 4.*



*Fig. 5.*



*Fig. 6.*



*Fig. 7.*