



US00D756038S

(12) **United States Design Patent**
Yang et al.

(10) **Patent No.:** **US D756,038 S**
(45) **Date of Patent:** **** May 10, 2016**

(54) **HELMET**

(71) Applicant: **MSA Technology, LLC**, Cranberry Township, PA (US)

(72) Inventors: **Yan Yang**, Jiangsu (CN); **Yizheng Pu**, Jiangsu (CN); **Chunmei Wu**, Jiangsu (CN)

(73) Assignee: **MSA Technology, LLC**, Cranberry Township, PA (US)

(**) Term: **14 Years**

(21) Appl. No.: **29/506,095**

(22) Filed: **Oct. 13, 2014**

(30) **Foreign Application Priority Data**

Apr. 14, 2014 (CN) 2014 3 0088006

(51) **LOC (10) Cl.** **09-03**

(52) **U.S. Cl.**
USPC **D29/102**

(58) **Field of Classification Search**
USPC D29/102-107, 122
CPC A63B 71/10; A63B 71/222; A63B 71/04;
A63B 71/166; A63B 71/228; A63B 71/32;
A63B 71/105; A01K 55/00; A42B 3/222;
A42B 3/166; A42B 3/04; A42B 3/228;
A42B 3/32; A42B 3/105

See application file for complete search history.

(56) **References Cited**

U.S. PATENT DOCUMENTS

D498,880 S	*	11/2004	Jones	D29/104
D648,899 S	*	11/2011	Westerdal	D29/102
D670,034 S	*	10/2012	Kolodziej	D29/102
D695,460 S	*	12/2013	Slater	D29/102
D705,492 S	*	5/2014	Zhu	D29/102
D742,597 S	*	11/2015	Peng	D29/102
D742,598 S	*	11/2015	Peng	D29/102
D743,106 S	*	11/2015	Peng	D29/102
D743,629 S	*	11/2015	Peng	D29/102

* cited by examiner

Primary Examiner — Ruth McInroy

(74) *Attorney, Agent, or Firm* — The Webb Law Firm

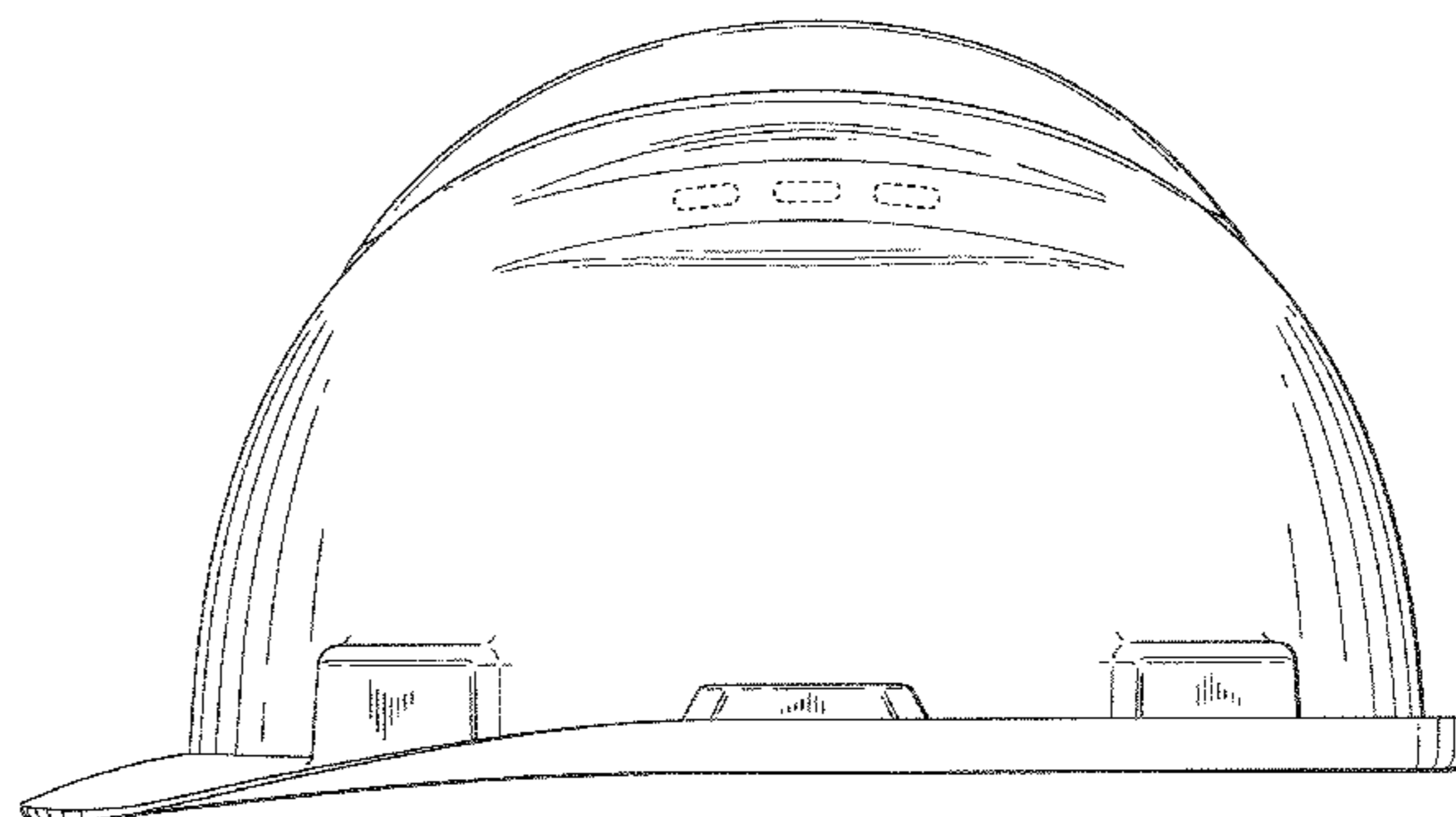
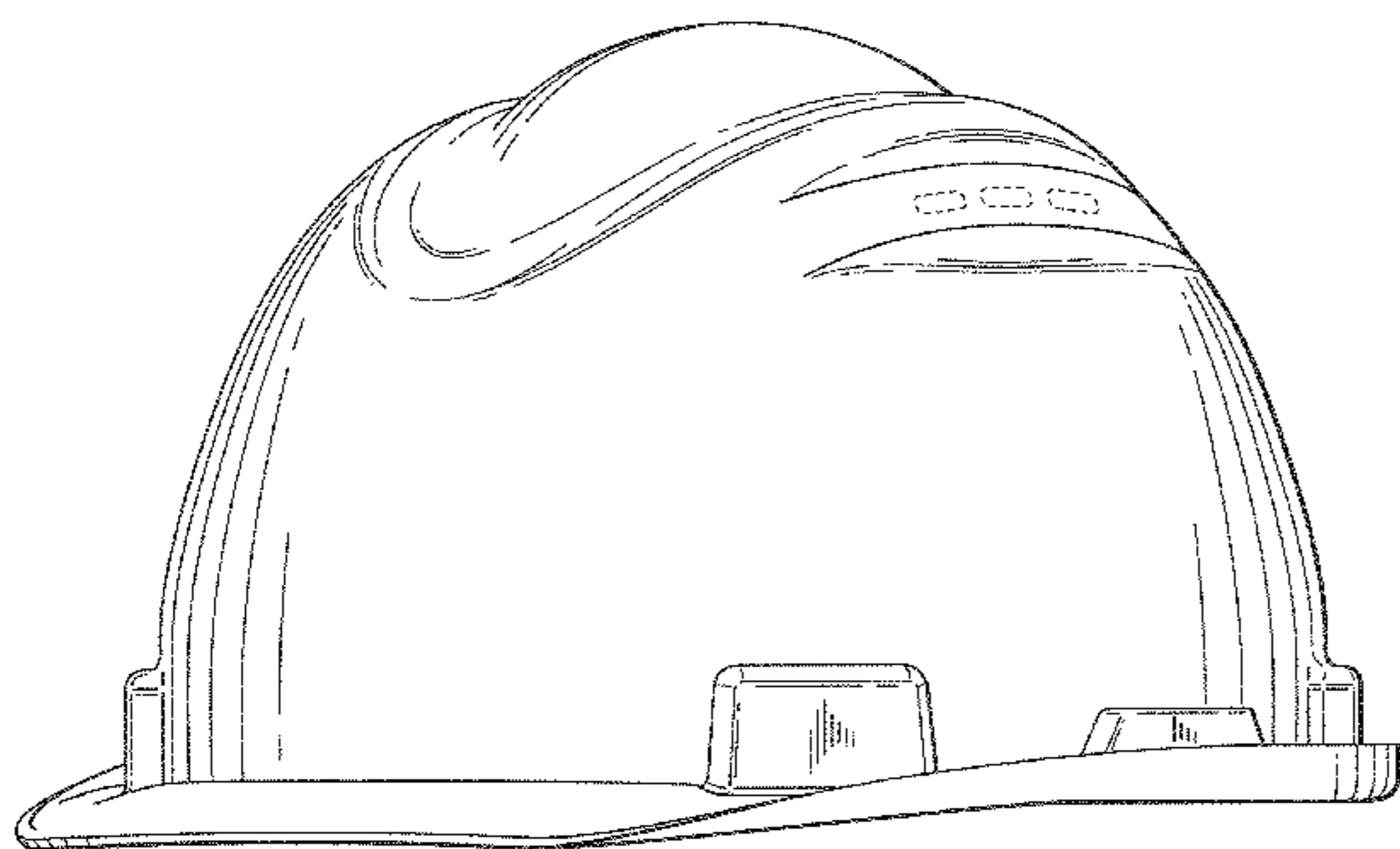
(57) **CLAIM**

The ornamental design for a helmet, as shown and described.

DESCRIPTION

FIG. 1 is a front perspective view of a helmet, showing our new design;
FIG. 2 is a rear view thereof;
FIG. 3 is a front view thereof;
FIG. 4 is a left side view thereof;
FIG. 5 is a right side view thereof; and,
FIG. 6 is a top view thereof.
The broken line showings of FIGS. 1-6 are environmental only and not part of the claimed design.

1 Claim, 6 Drawing Sheets



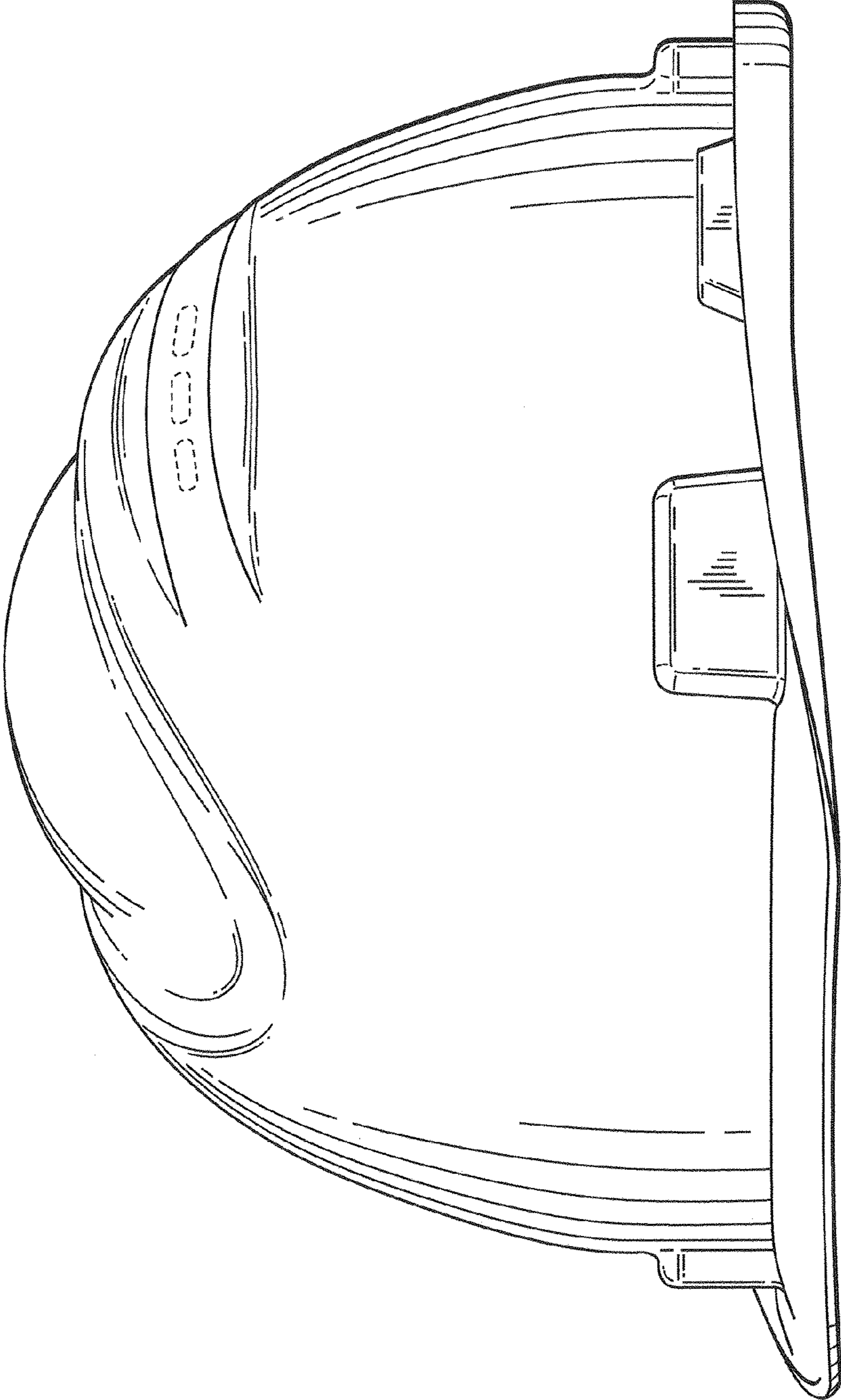


FIG. 1

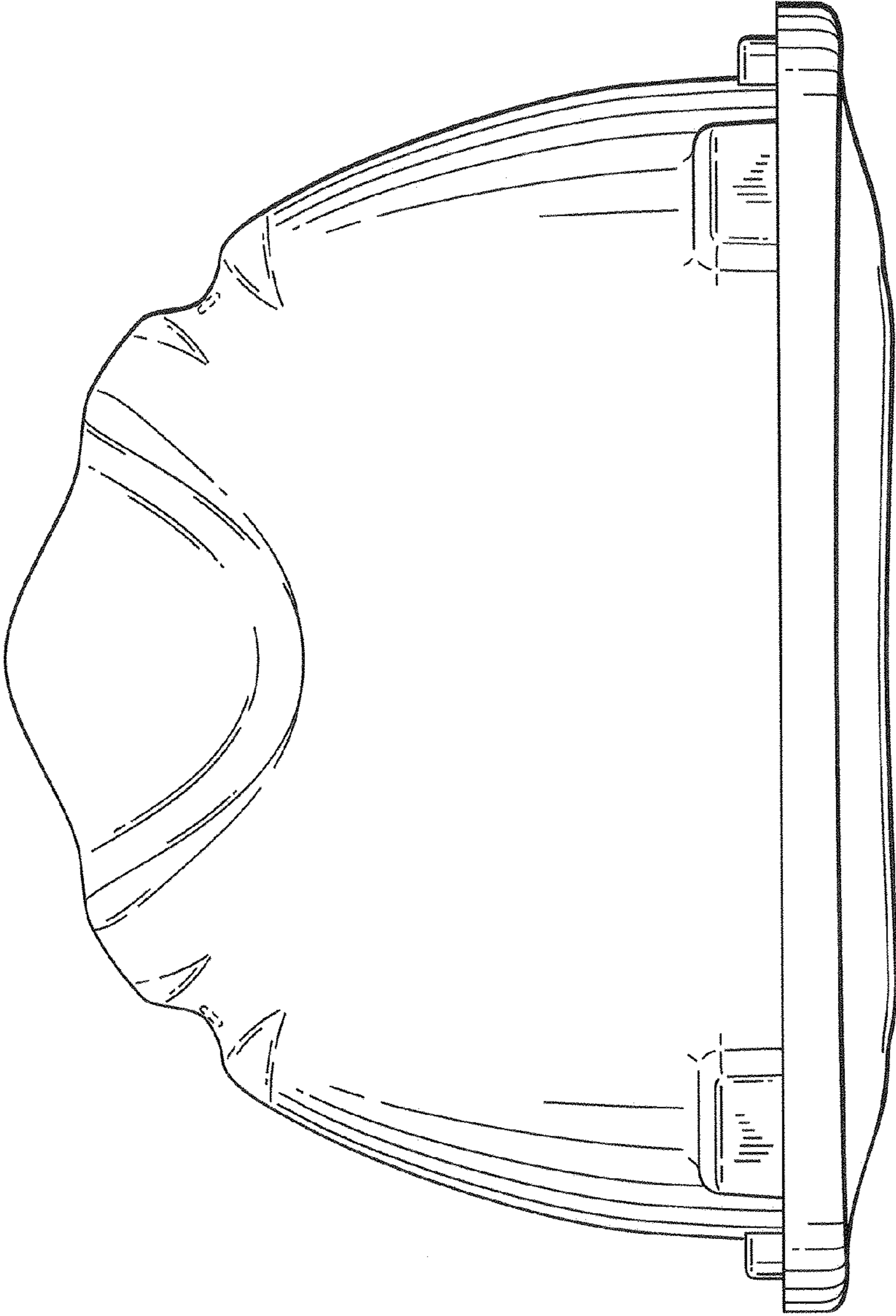


FIG. 2

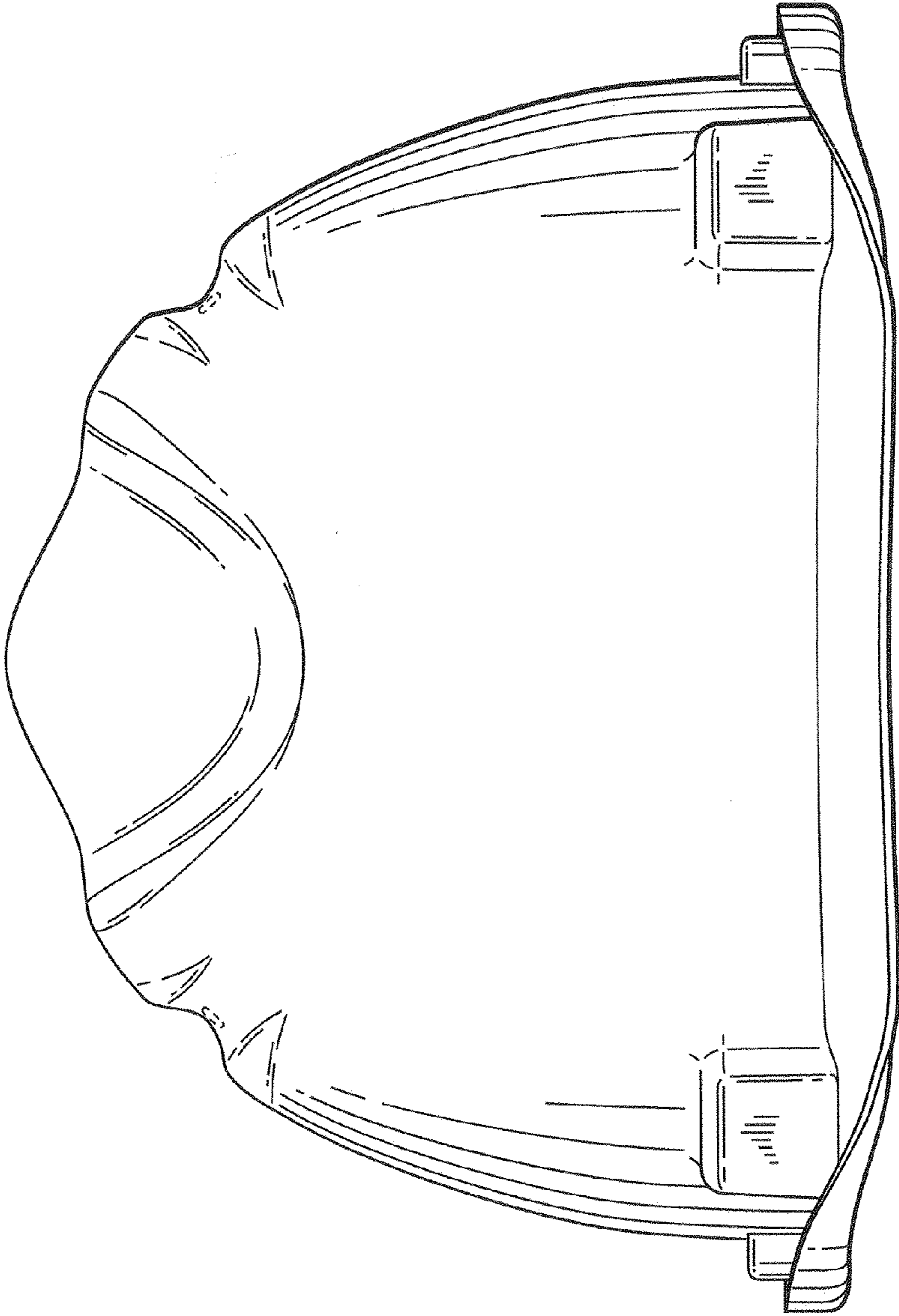


FIG. 3

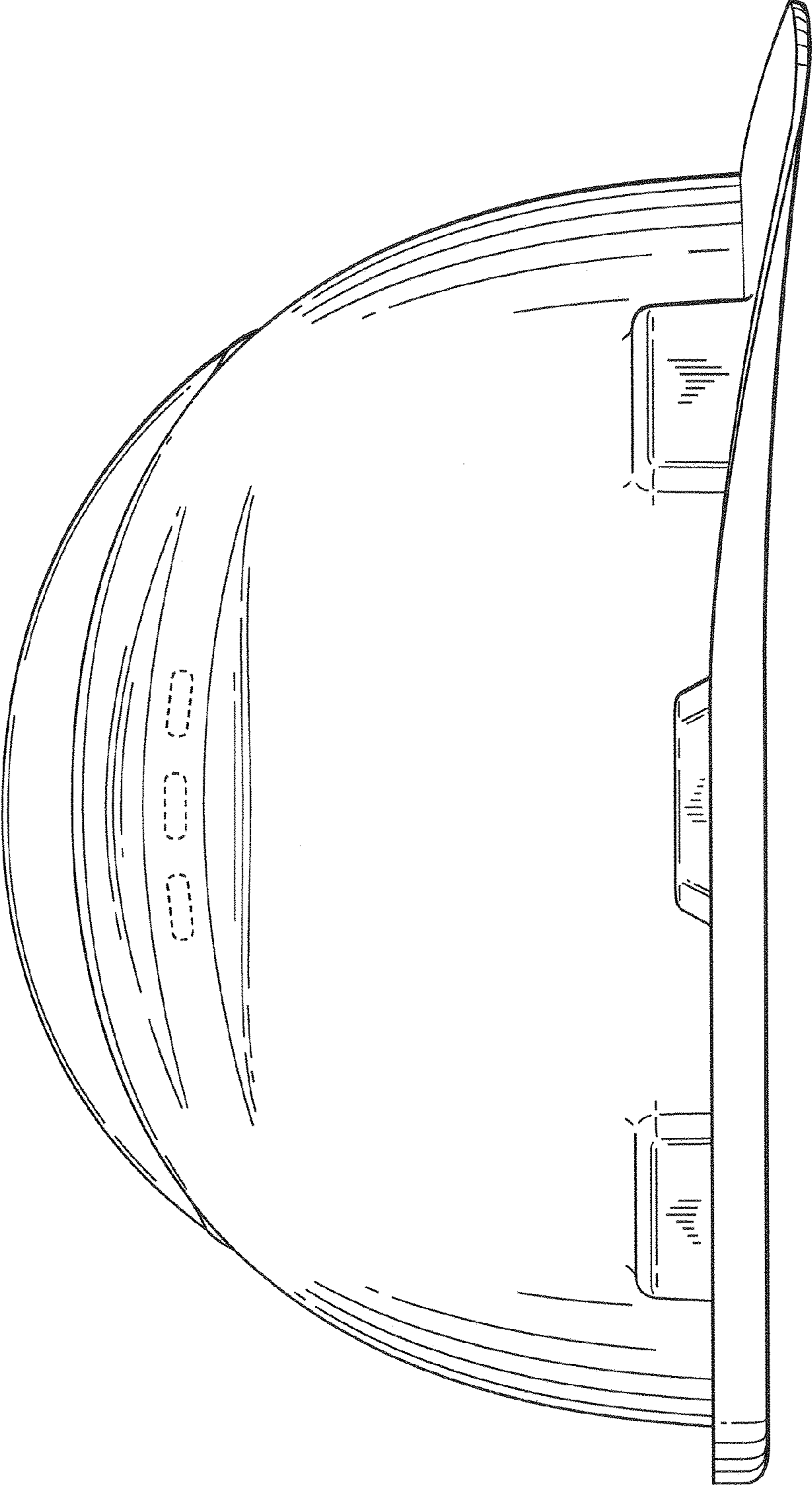


FIG. 4

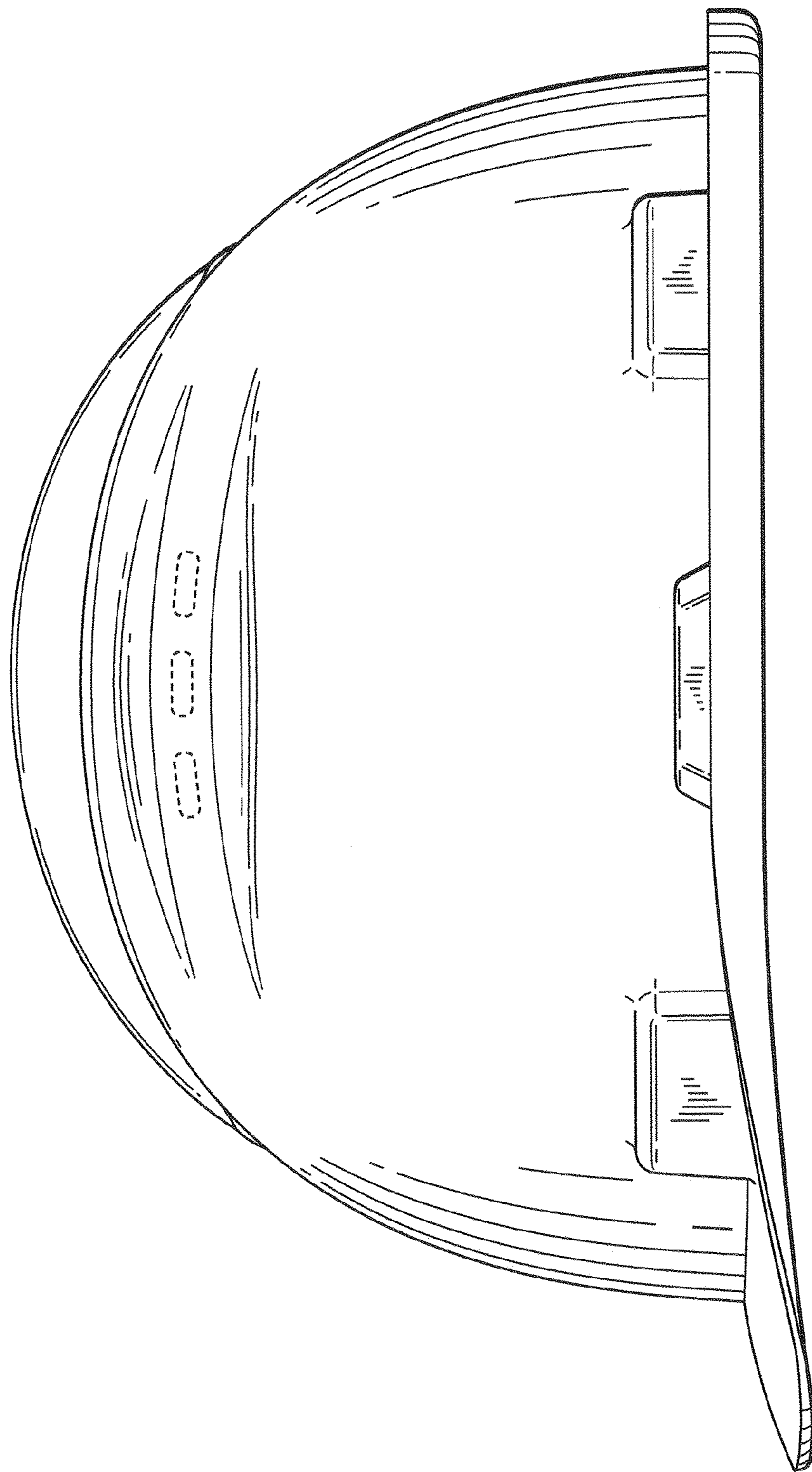


FIG. 5

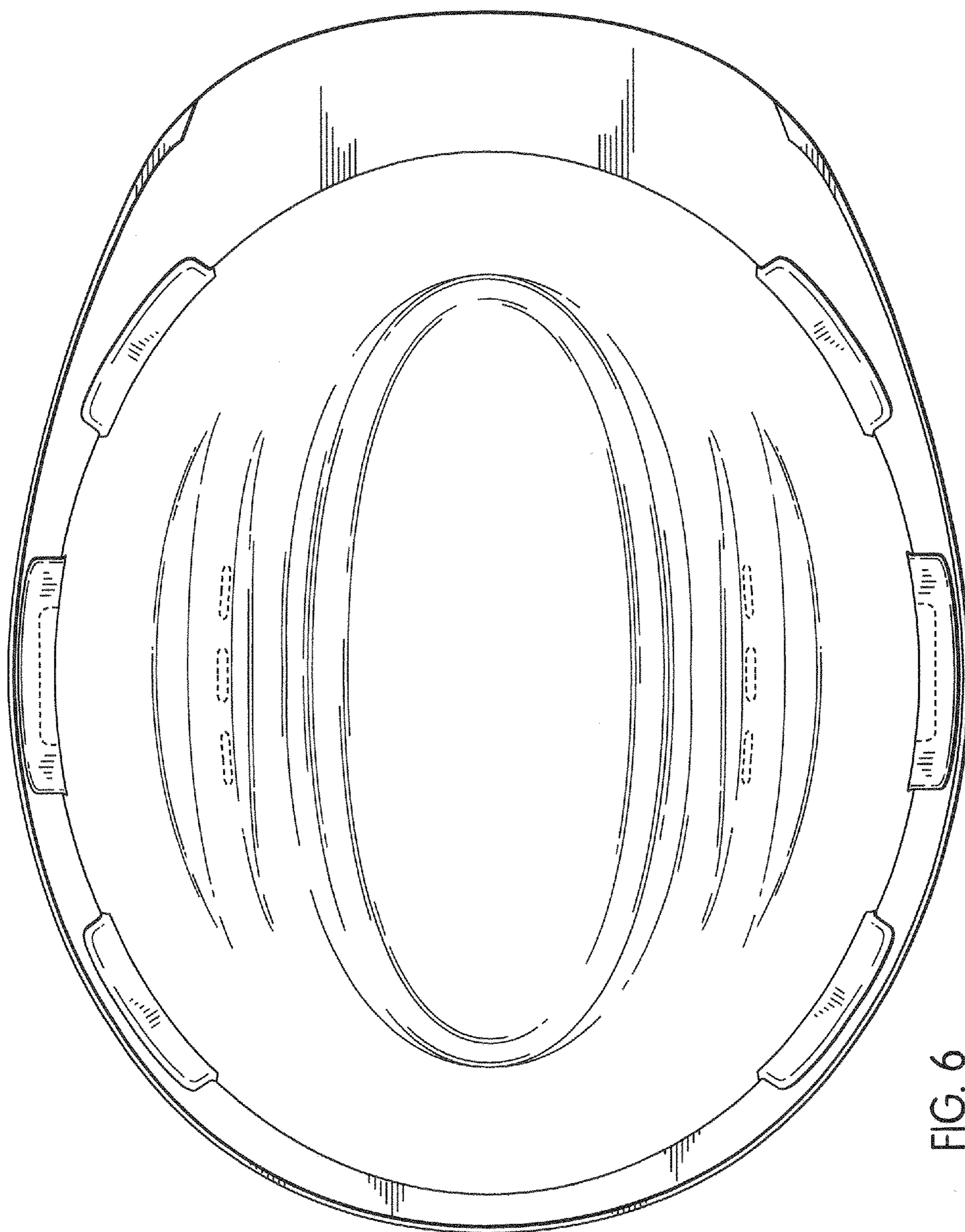


FIG. 6