



US00D756037S

(12) **United States Design Patent**
Schlatter et al.

(10) **Patent No.:** **US D756,037 S**
(45) **Date of Patent:** **** May 10, 2016**

(54) **LIP BALM CONTAINER**

(71) Applicant: **ORALABS, INC.**, Parker, CO (US)
(72) Inventors: **Gary Schlatter**, Englewood, CO (US);
Chris Turner, Parker, CO (US)

(**) Term: **14 Years**

(21) Appl. No.: **29/508,325**

(22) Filed: **Nov. 5, 2014**

(51) **LOC (10) Cl.** **28-03**

(52) **U.S. Cl.**
USPC **D28/85**; D9/559; D9/529

(58) **Field of Classification Search**

USPC D28/4, 76, 77, 85, 86, 87, 88, 89, 90,
D28/83; D9/657, 737, 738, 516, 522, 529,
D9/549, 551, 553, 555, 560, 559, 564, 566,
D9/504, 452, 726, 430, 519, 414, 423;
D3/903, 302, 275, 273; D27/152;
D31/1
CPC A45D 33/00; A45D 33/14; A45D 34/06;
A45D 40/02; A45D 40/20; A45D 40/06
See application file for complete search history.

(56) **References Cited**

U.S. PATENT DOCUMENTS

D287,339 S	*	12/1986	Dominski	D9/529
D302,873 S	*	8/1989	Sayn Wittgenstein	D28/85
D328,168 S	*	7/1992	Bartle	D34/1
D385,186 S	*	10/1997	Fildan	D9/430
D429,429 S	*	8/2000	Murphy	D6/678
D433,190 S	*	10/2000	Finocchiaro	D28/76
D451,671 S	*	12/2001	Wolf	D3/275
D539,982 S	*	4/2007	Nobuto	D28/76
D640,133 S	*	6/2011	Jones	D9/430
D672,645 S	*	12/2012	Giannini	D9/430
D708,790 S	*	7/2014	Schlatter	D28/89
D733,967 S	*	7/2015	Schlatter	D28/85
D734,550 S	*	7/2015	Schlatter	D28/83
D734,894 S	*	7/2015	Schlatter	D28/76
D734,895 S	*	7/2015	Liu	D28/83
D735,415 S	*	7/2015	Thompson	D28/83
D742,593 S	*	11/2015	Corey	D28/83

* cited by examiner

Primary Examiner — Jennifer Rivard

Assistant Examiner — April Rivas

(74) *Attorney, Agent, or Firm* — Welsh Flaxman & Gitler
LLC

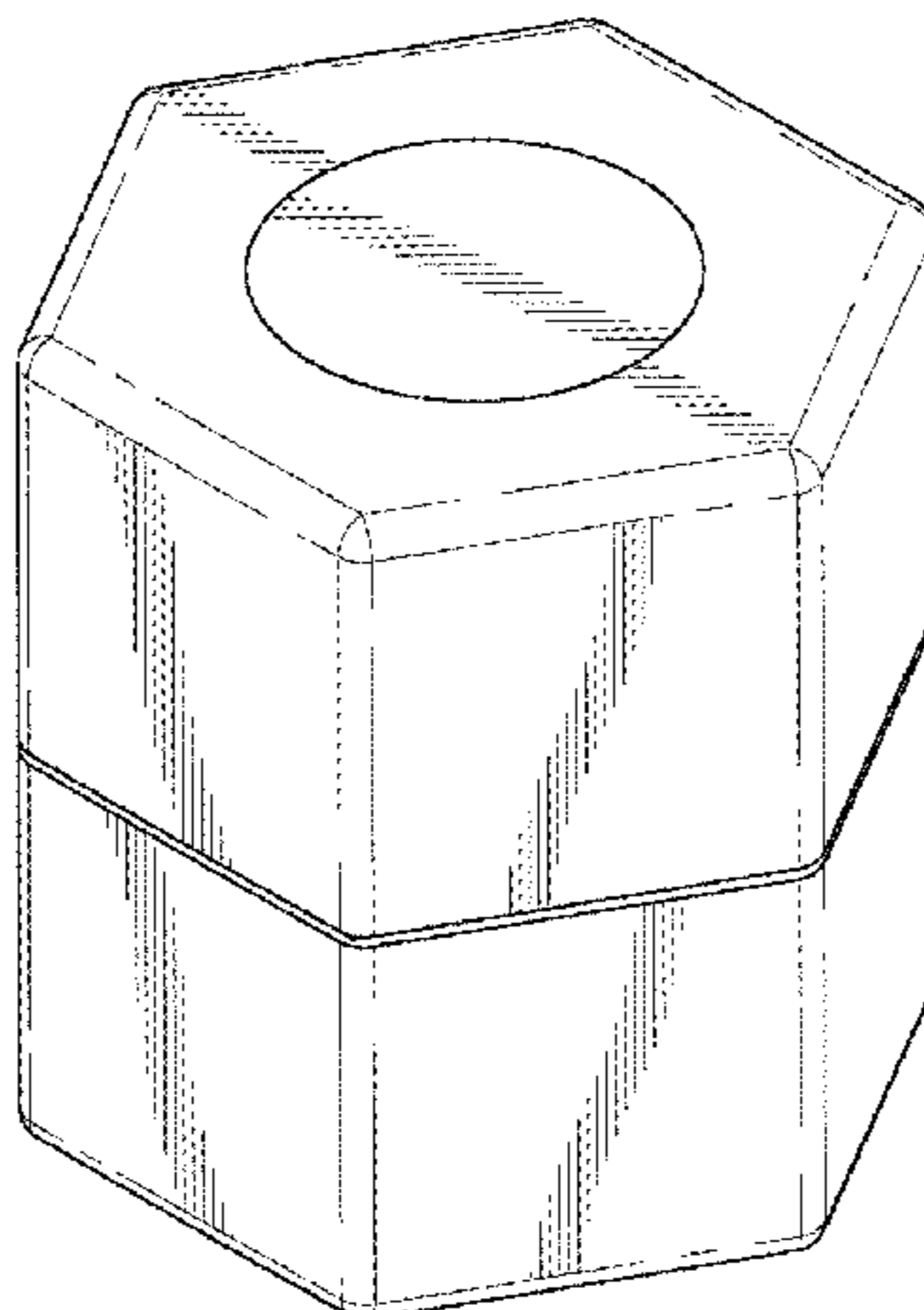
(57) **CLAIM**

The ornamental design for a lip balm container, as shown and described.

DESCRIPTION

FIG. 1 is a side perspective view of the lip balm container from a position slightly above a horizontal bisecting plane of the lip balm container.
FIG. 2 is a side perspective view of the lip balm container from a position slightly below a horizontal bisecting plane of the lip balm container.
FIG. 3 is a top view of the lip balm container.
FIG. 4 is a bottom view of the lip balm container.
FIG. 5 is a side view of the lip balm container.
FIG. 6 is a side view of the lip balm container from a position diametrically opposite that shown in FIG. 5.
FIG. 7 is a side view of the lip balm container from a position 90° offset in a counter-clockwise direction from that shown in FIG. 5.
FIG. 8 is a side view of the lip balm container from a position diametrically opposite that shown in FIG. 7.
FIG. 9 is a side perspective view of the lip balm container from a position slightly above a horizontal bisecting plane of the lip balm container with the top removed; and,
FIG. 10 is a side view of the lip balm container with the top removed from the same position as applied in FIG. 5.
The bottom portion of the lip balm container is disclosed separately from the top in FIGS. 9 and 10 for convenience of illustration. The broken lines shown in the drawings illustrate portions of the article and form no part of the claimed design.

1 Claim, 3 Drawing Sheets



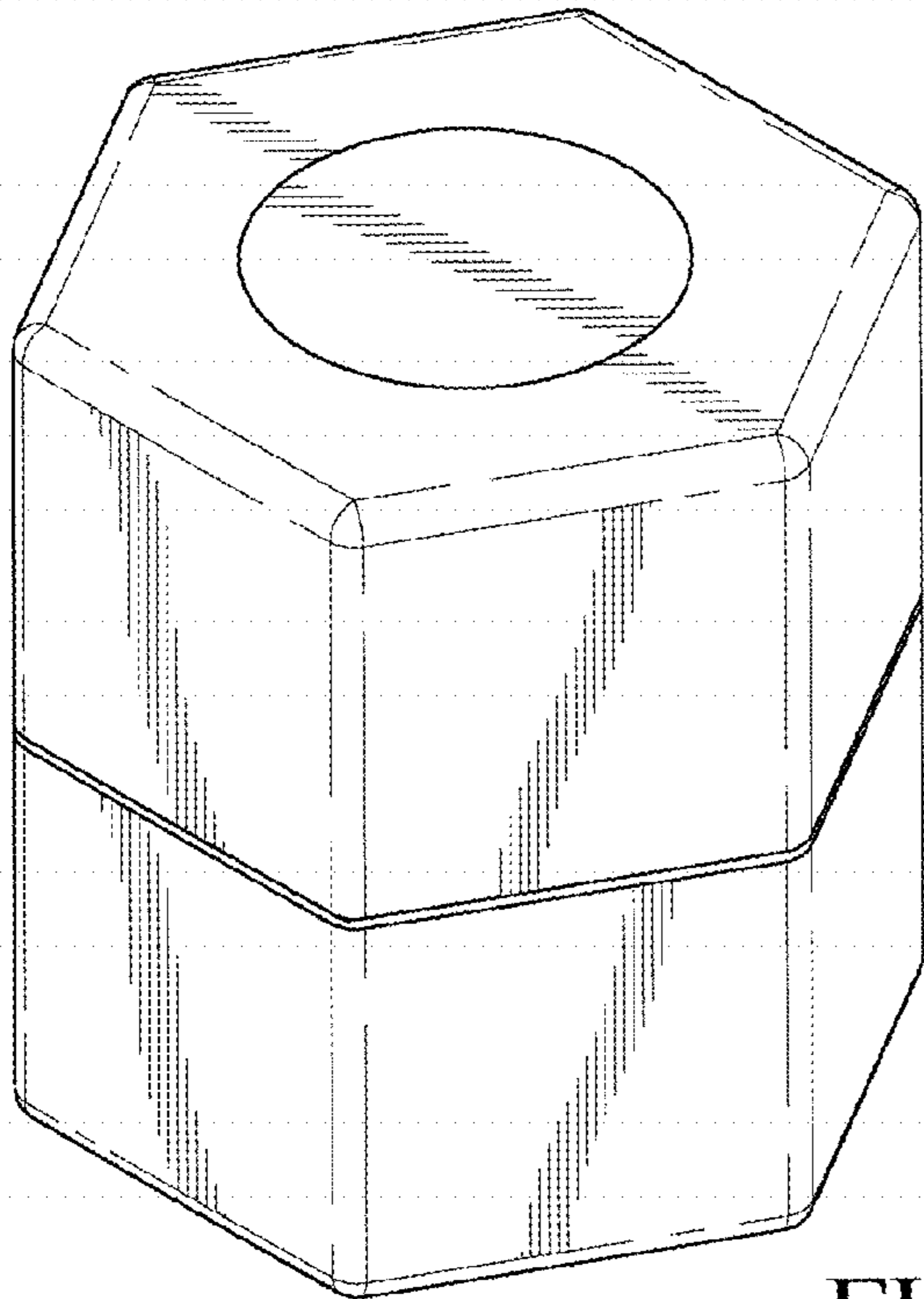


FIG. 1

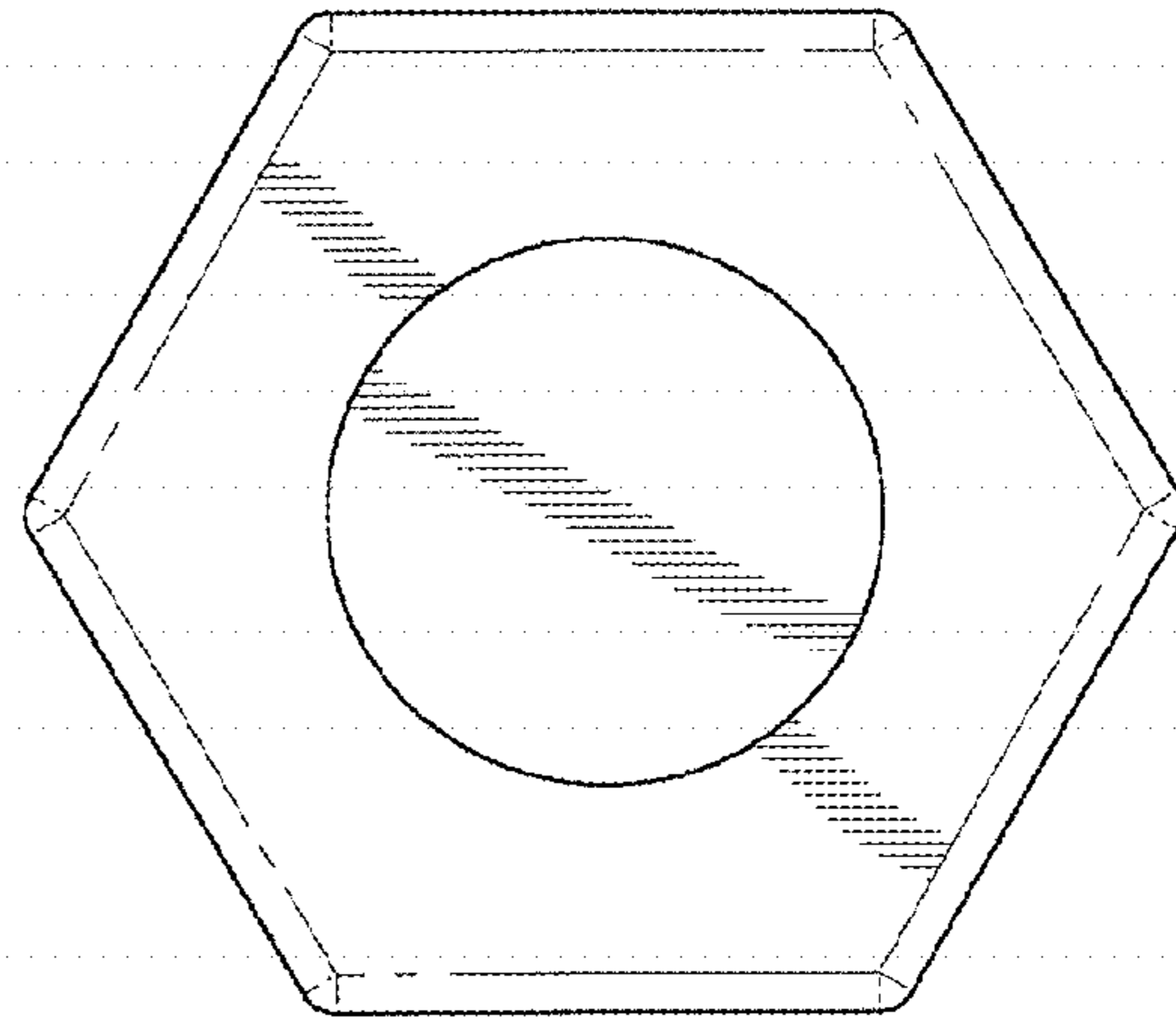


FIG. 3

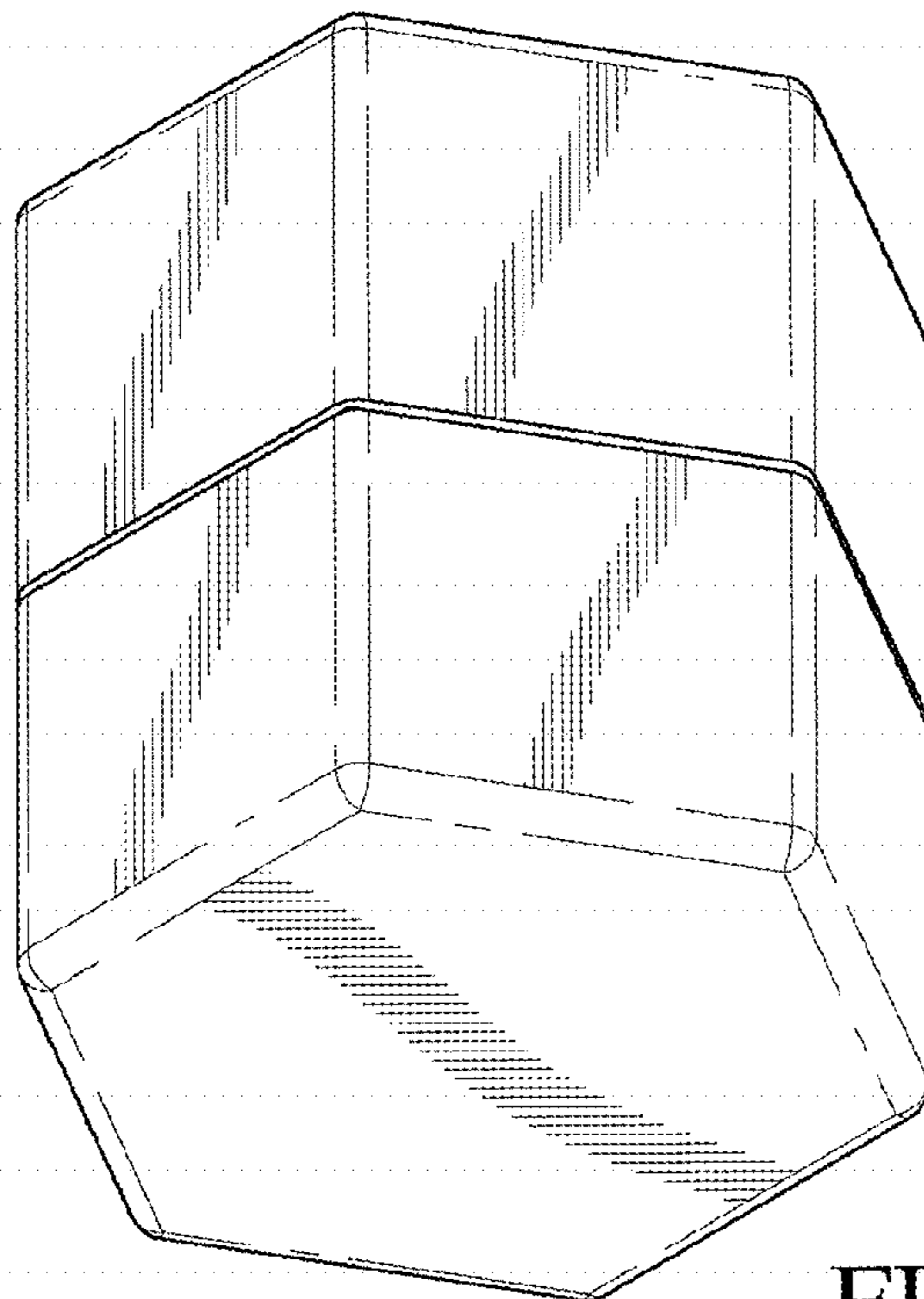


FIG. 2

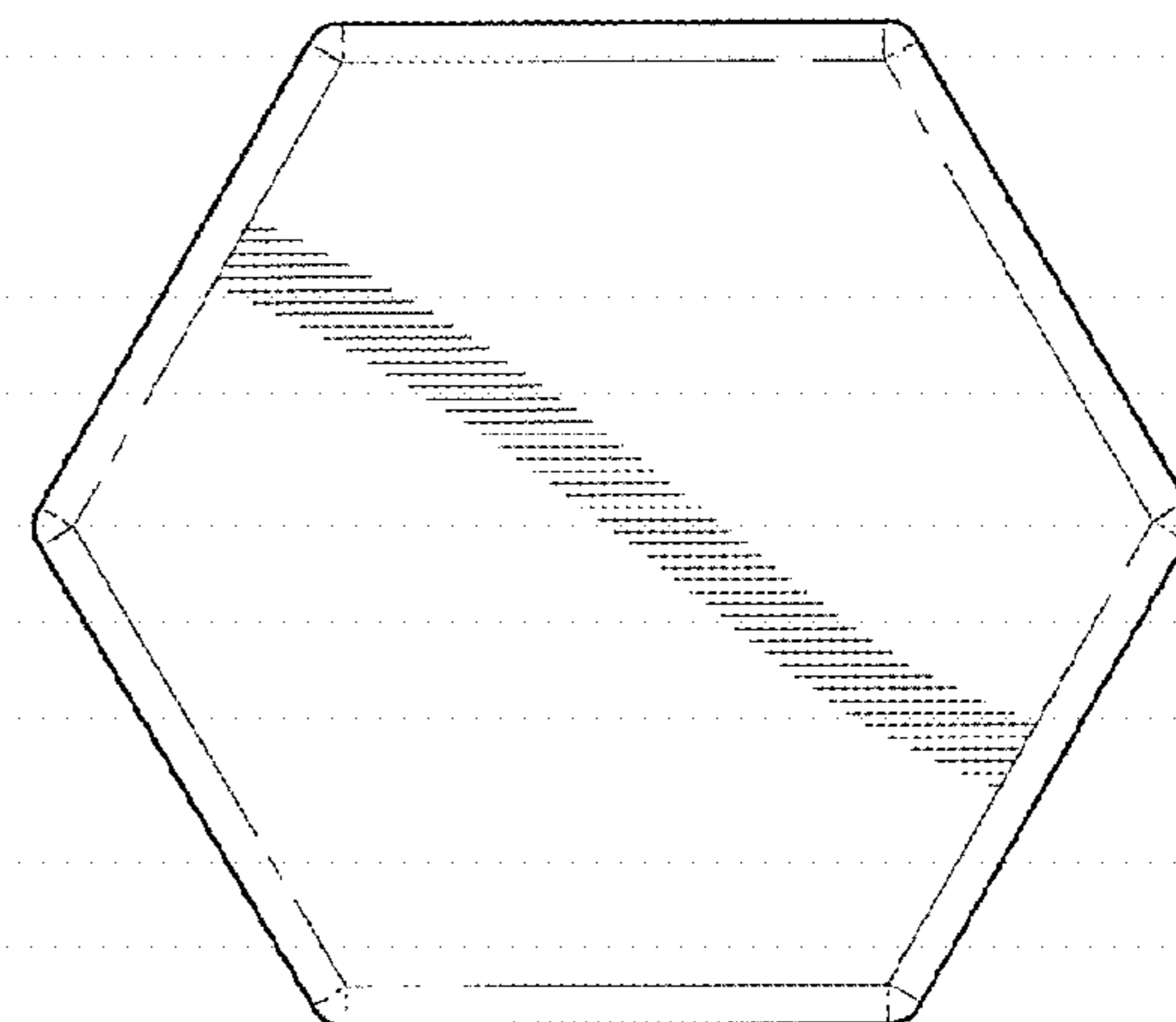


FIG. 4

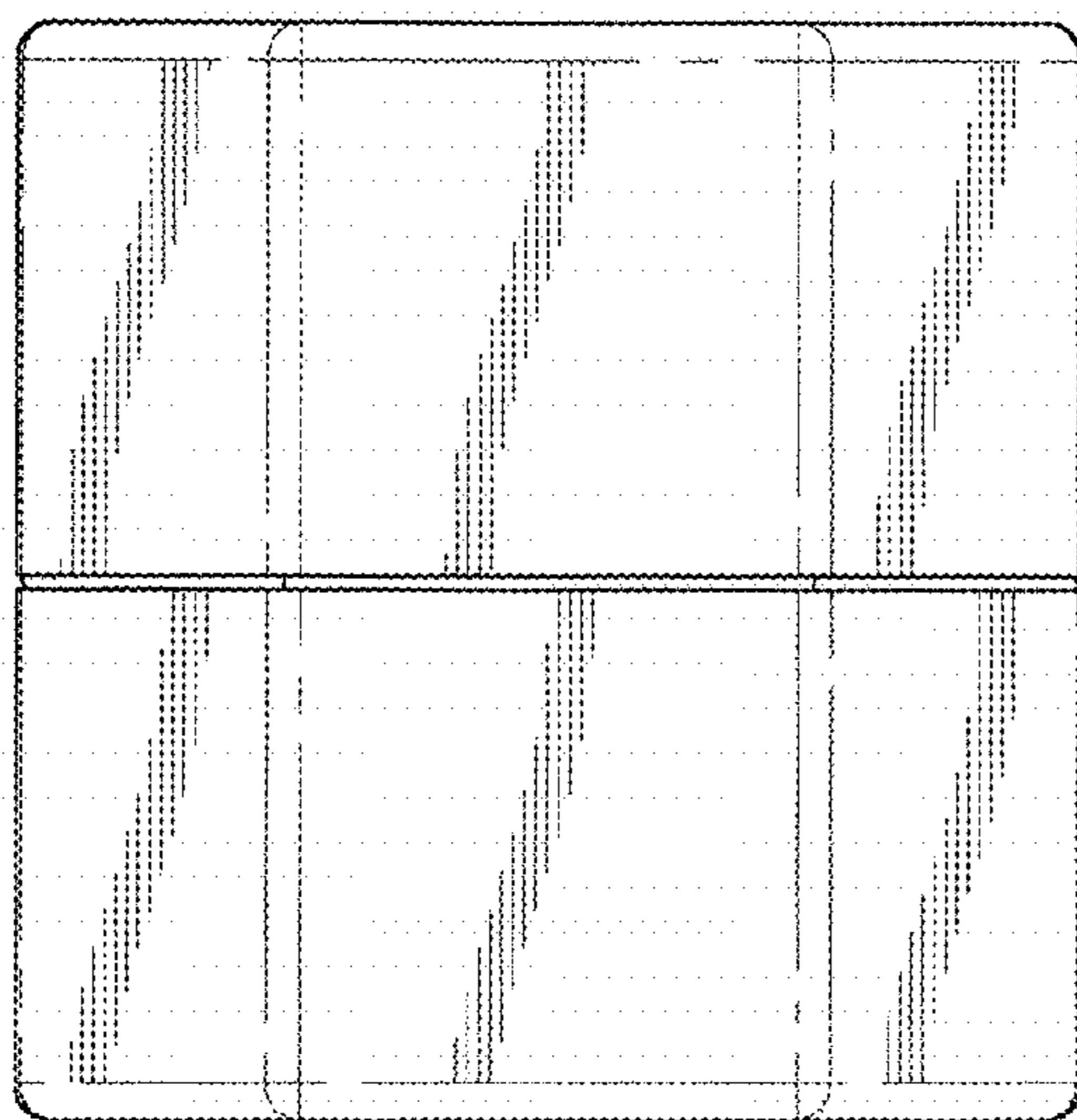


FIG. 5

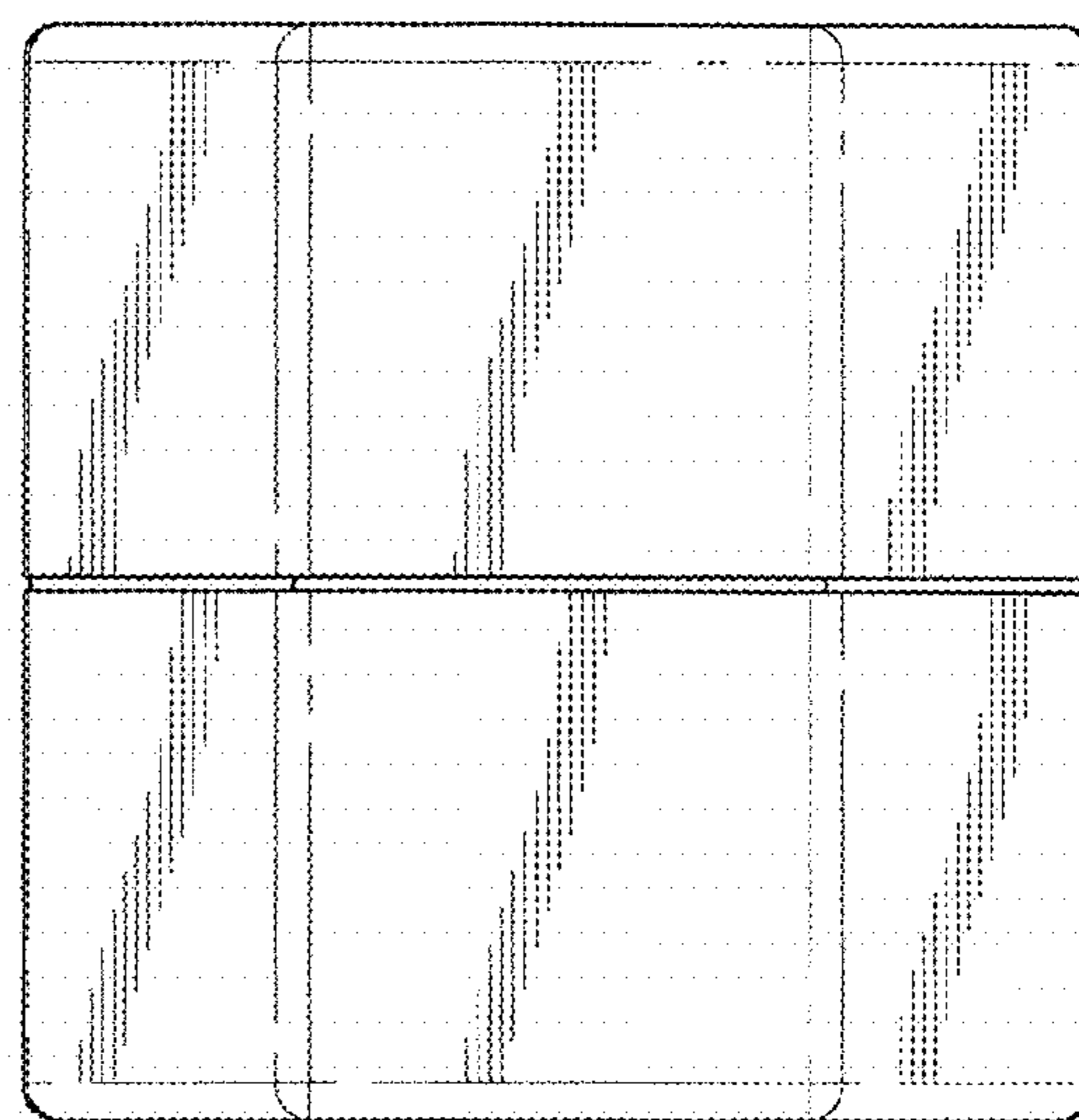


FIG. 6

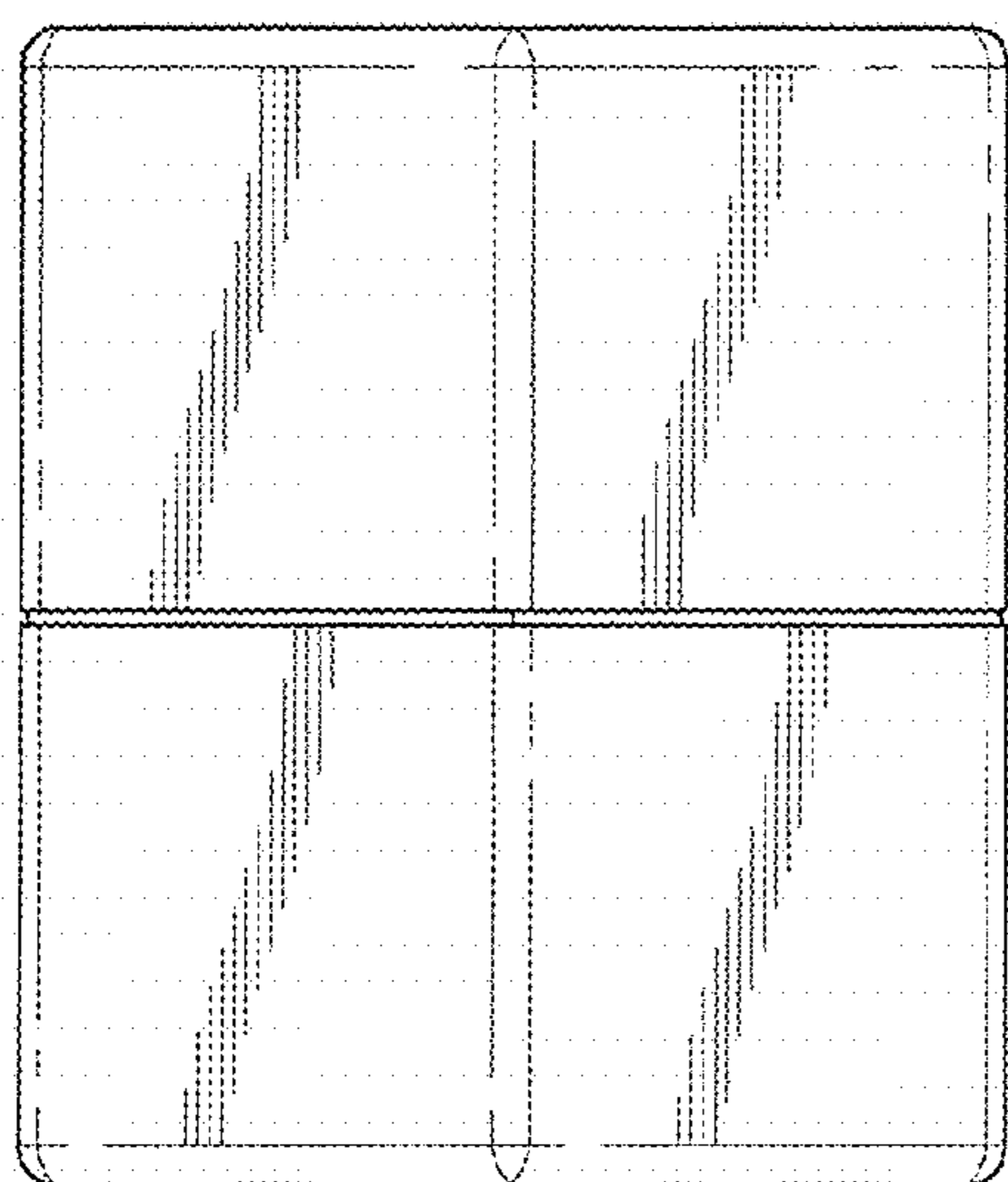


FIG. 7

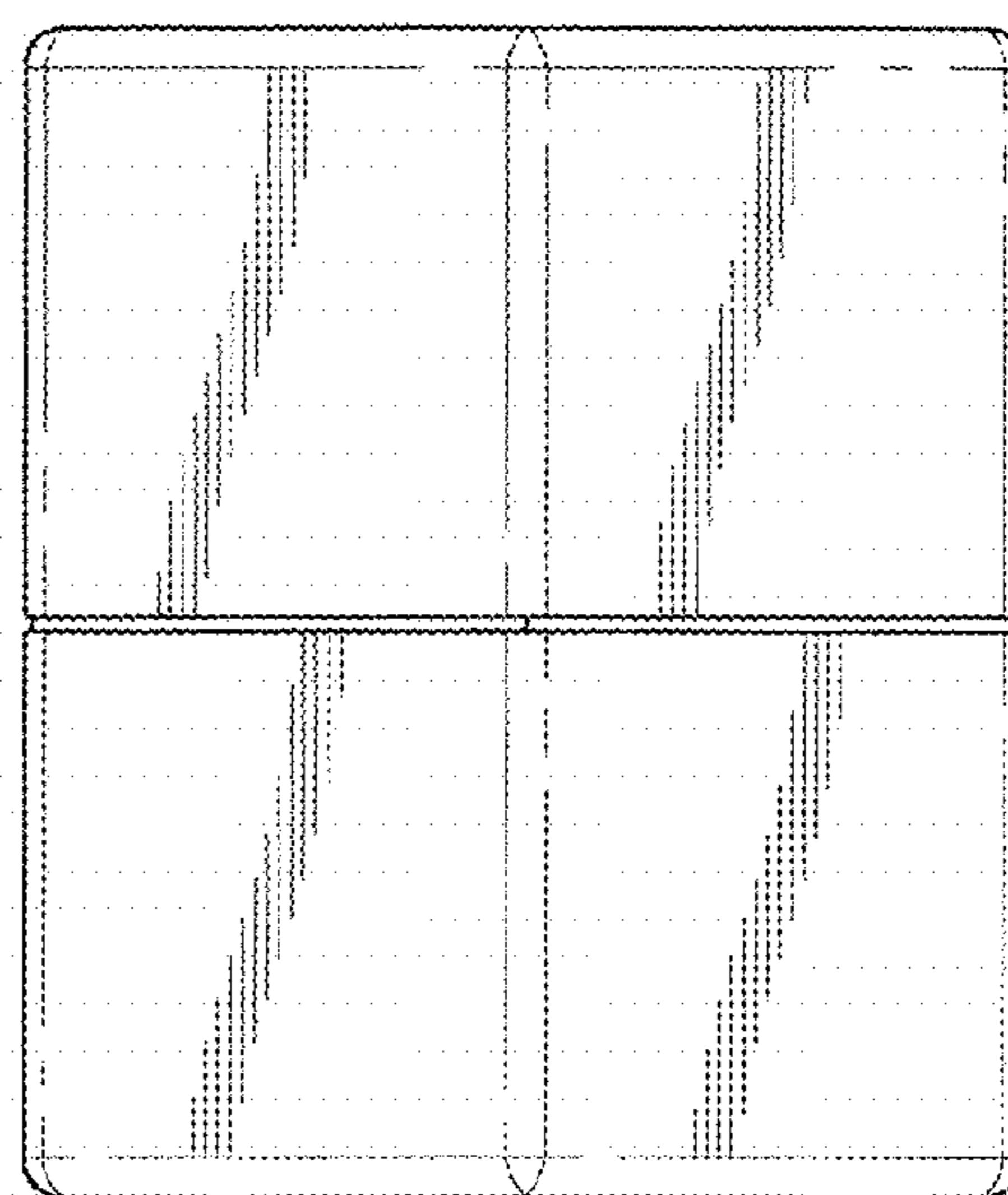


FIG. 8

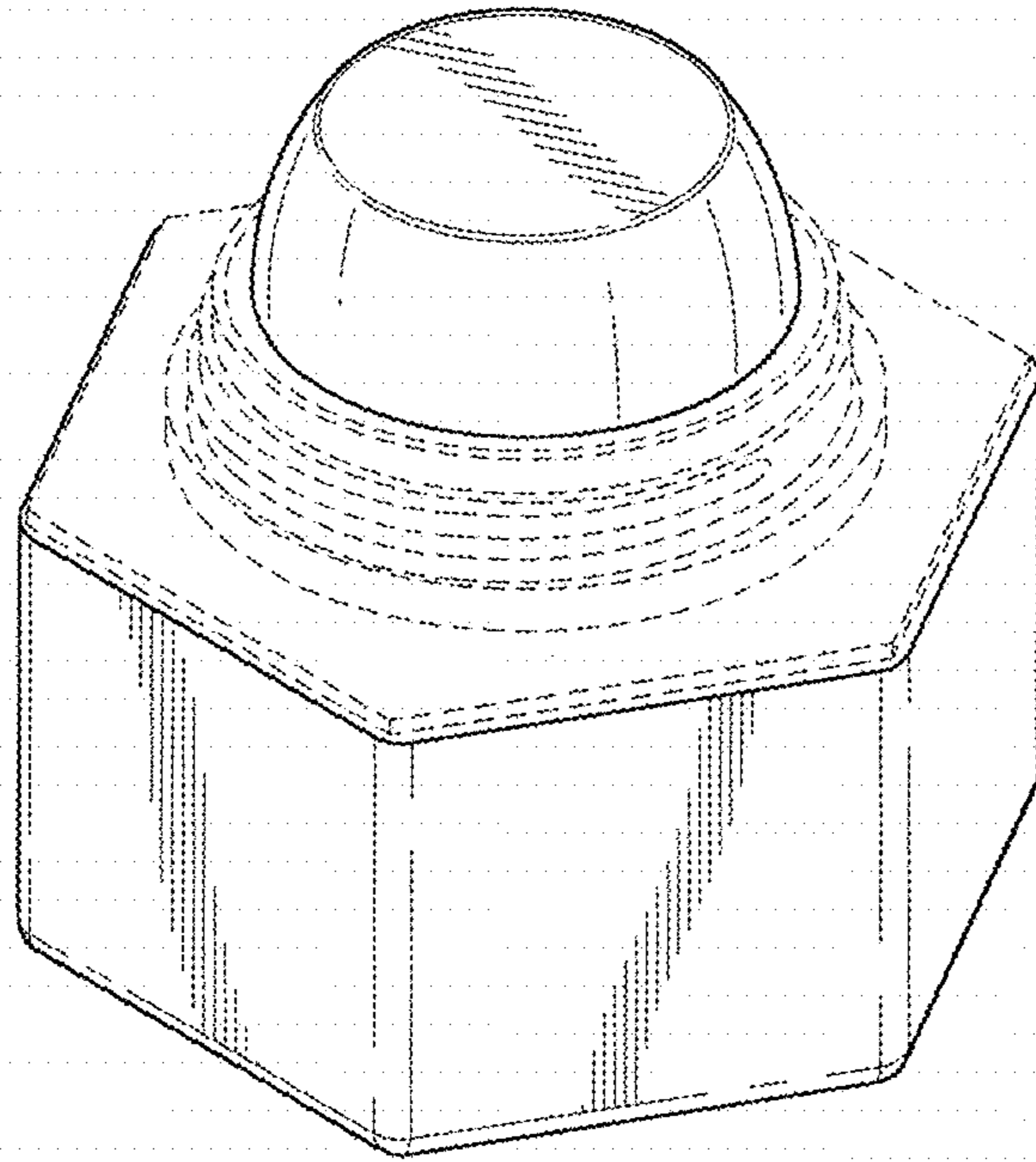


FIG. 9

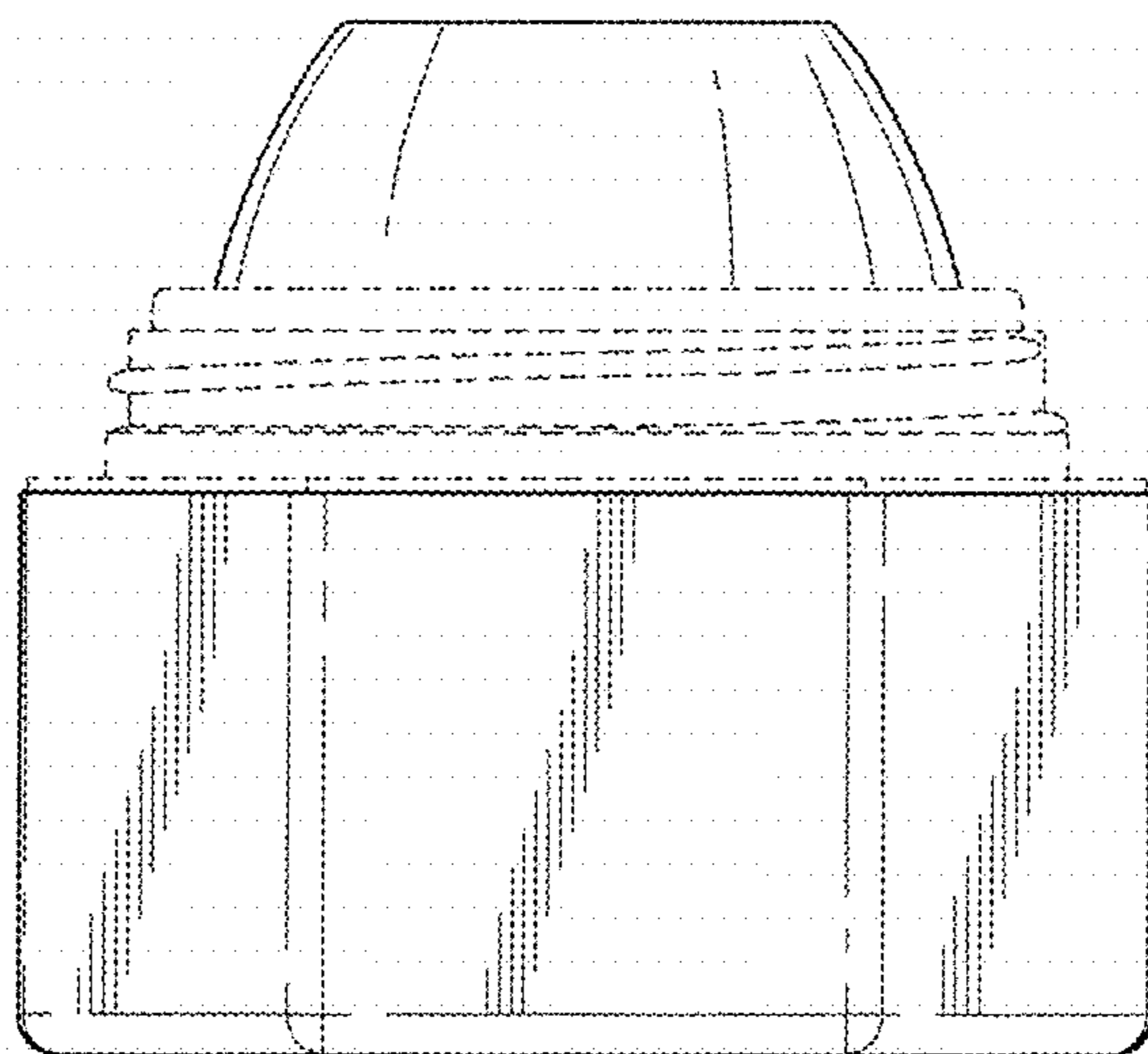


FIG. 10