



US00D756035S

(12) **United States Design Patent**
Daly et al.

(10) **Patent No.:** **US D756,035 S**
(45) **Date of Patent:** **** May 10, 2016**

- (54) **NAIL POLISH BOTTLE HOLDER**
- (71) Applicants: **Kelly L. Daly**, Minneapolis, MN (US);
Timothy J. Daly, Woodbury, MN (US)
- (72) Inventors: **Kelly L. Daly**, Minneapolis, MN (US);
Timothy J. Daly, Woodbury, MN (US)
- (**) Term: **14 Years**
- (21) Appl. No.: **29/497,039**
- (22) Filed: **Jul. 21, 2014**
- (51) **LOC (10) Cl.** **03-01**
- (52) **U.S. Cl.**
USPC **D28/61**
- (58) **Field of Classification Search**
USPC D28/61, 73; D7/619.1
CPC A45D 29/22; A45D 29/00; A45D 34/00;
A45D 2034/002
See application file for complete search history.

- D493,574 S * 7/2004 Cheeks D28/61
- D628,746 S * 12/2010 Peta D28/61
- 2004/0089774 A1 * 5/2004 Pace A45D 34/00
248/146
- 2013/0220948 A1 * 8/2013 Nguyen A47F 5/025
211/1.55
- 2014/0305459 A1 * 10/2014 Friedman A45F 5/00
132/200
- 2015/0102195 A1 * 4/2015 Mah F16M 11/2021
248/346.05
- 2015/0136164 A1 * 5/2015 Yi A45D 29/00
132/200

* cited by examiner

Primary Examiner — Jennifer Rivard

(74) *Attorney, Agent, or Firm* — Dave Alan Lingbeck

(57) **CLAIM**

The ornamental design for a nail polish bottle holder, as shown and described.

DESCRIPTION

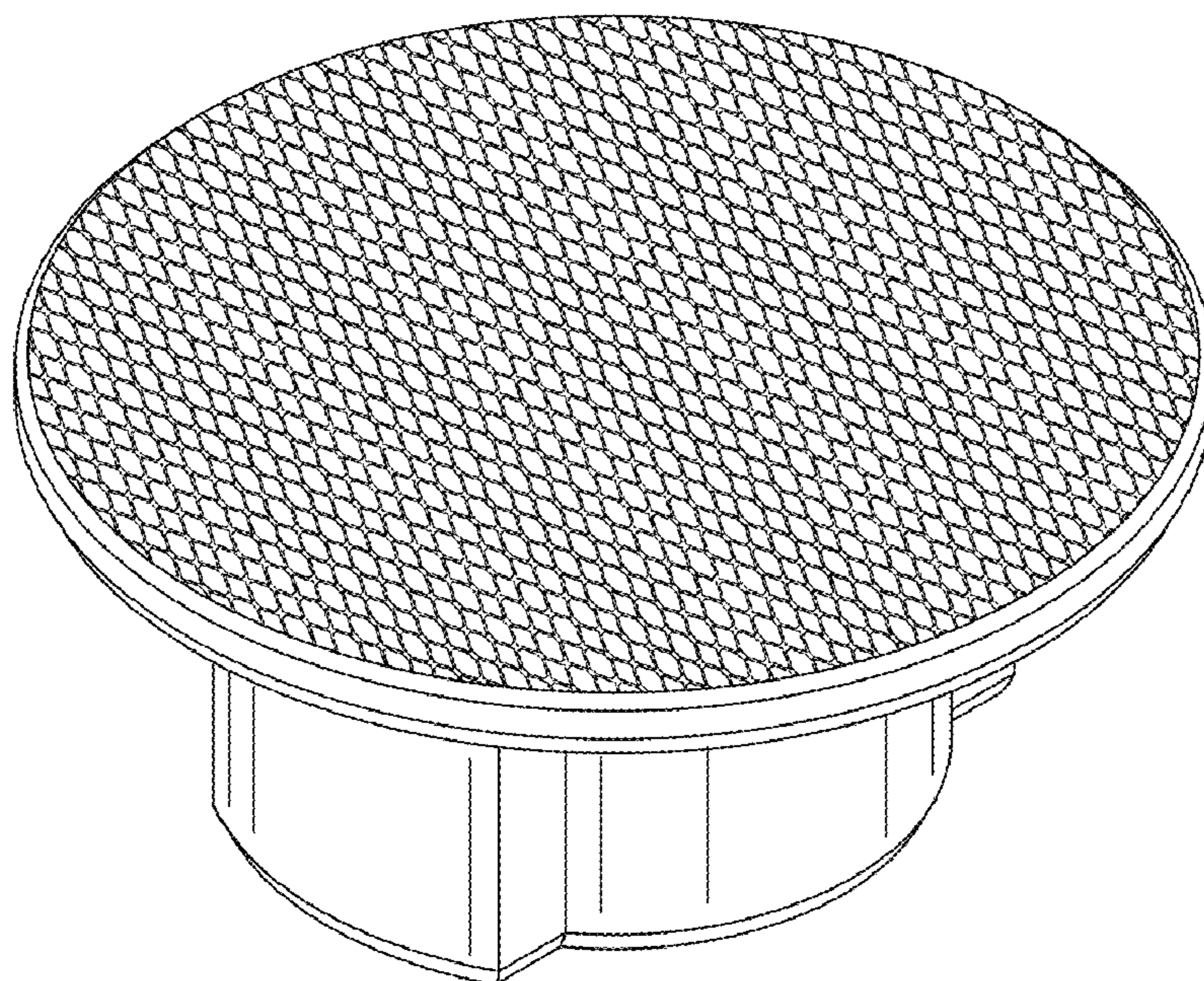
FIG. 1 is a top plan view of the nail polish bottle holder.
 FIG. 2 is a bottom perspective view of the nail polish bottle holder.
 FIG. 3 is a side elevation view of the nail polish bottle holder, the opposed side elevation view being a mirror image thereof; and,
 FIG. 4 is an end elevation view of the nail polish bottle holder, the opposed end elevation view being a mirror image thereof.
 The broken lines shown in FIG. 1 illustrate the bounds of the claim and form no part of the claimed design.

1 Claim, 2 Drawing Sheets

(56) **References Cited**

U.S. PATENT DOCUMENTS

- 2,633,248 A * 3/1953 Goldenberg A45D 34/00
211/74
- 2,760,500 A * 8/1956 Johnson, Jr. A45D 29/22
132/73.5
- 3,964,709 A * 6/1976 LaBelle A45D 34/00
211/73
- 4,795,117 A * 1/1989 Siteman A45D 29/22
248/133
- 5,881,734 A * 3/1999 Traves A45D 34/00
132/73
- D441,914 S * 5/2001 Armour D28/73



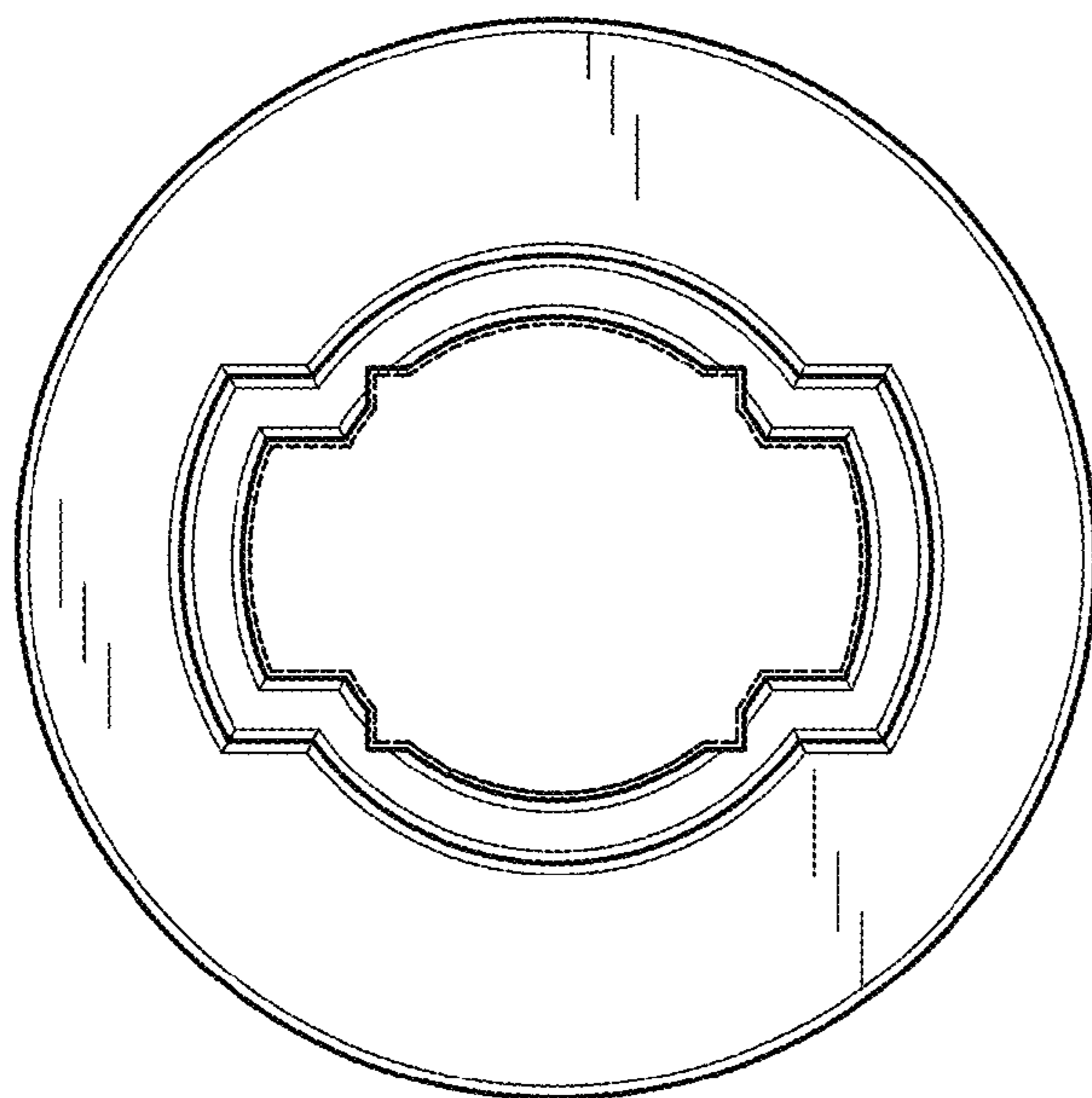


FIG. 1

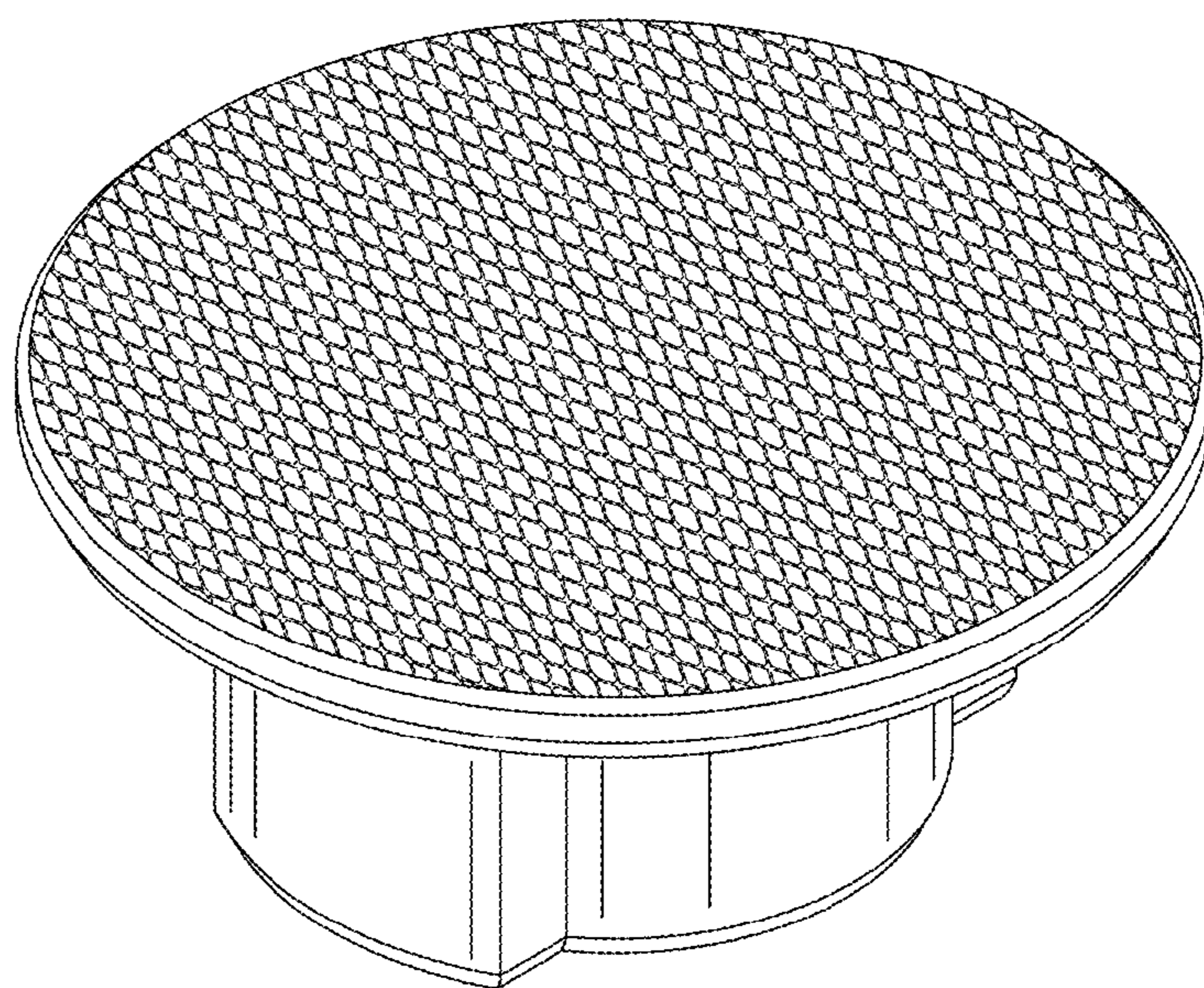


FIG. 2

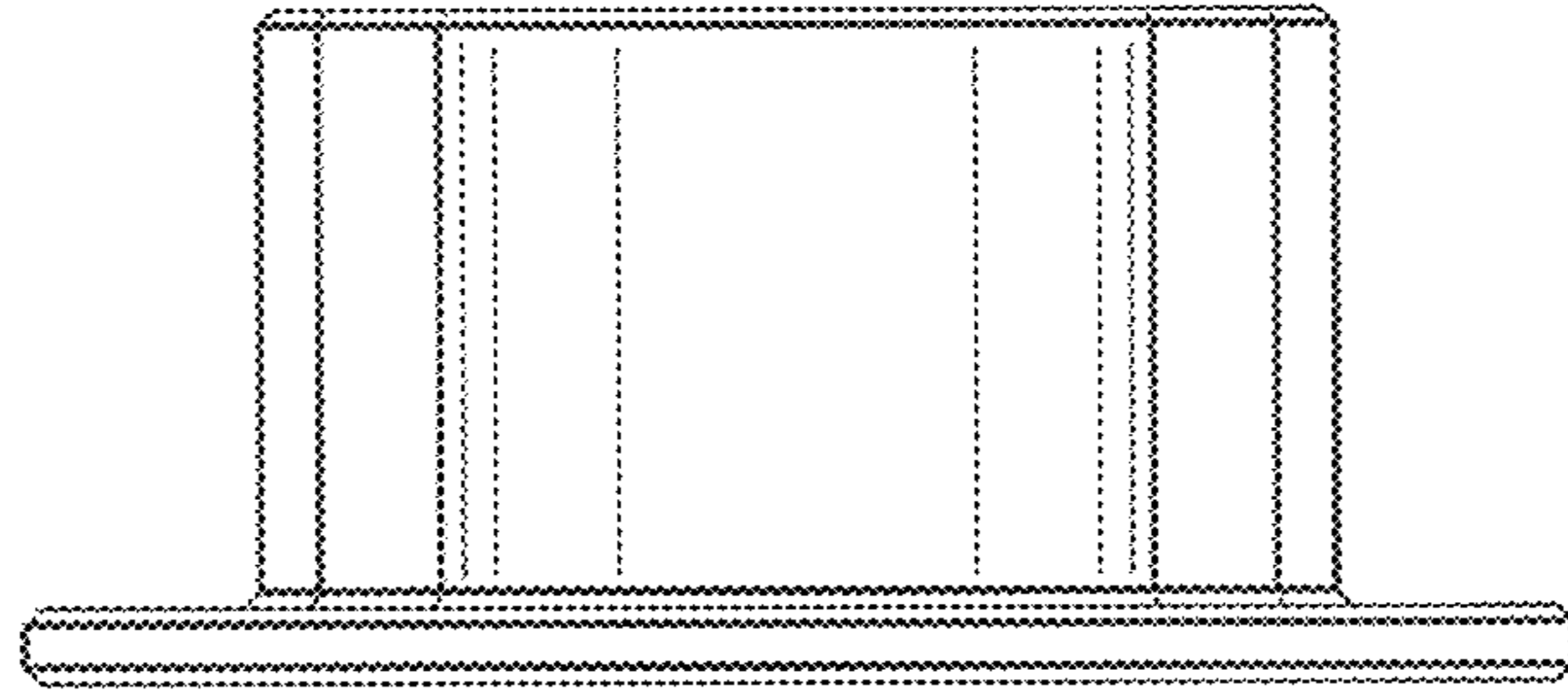


FIG. 3

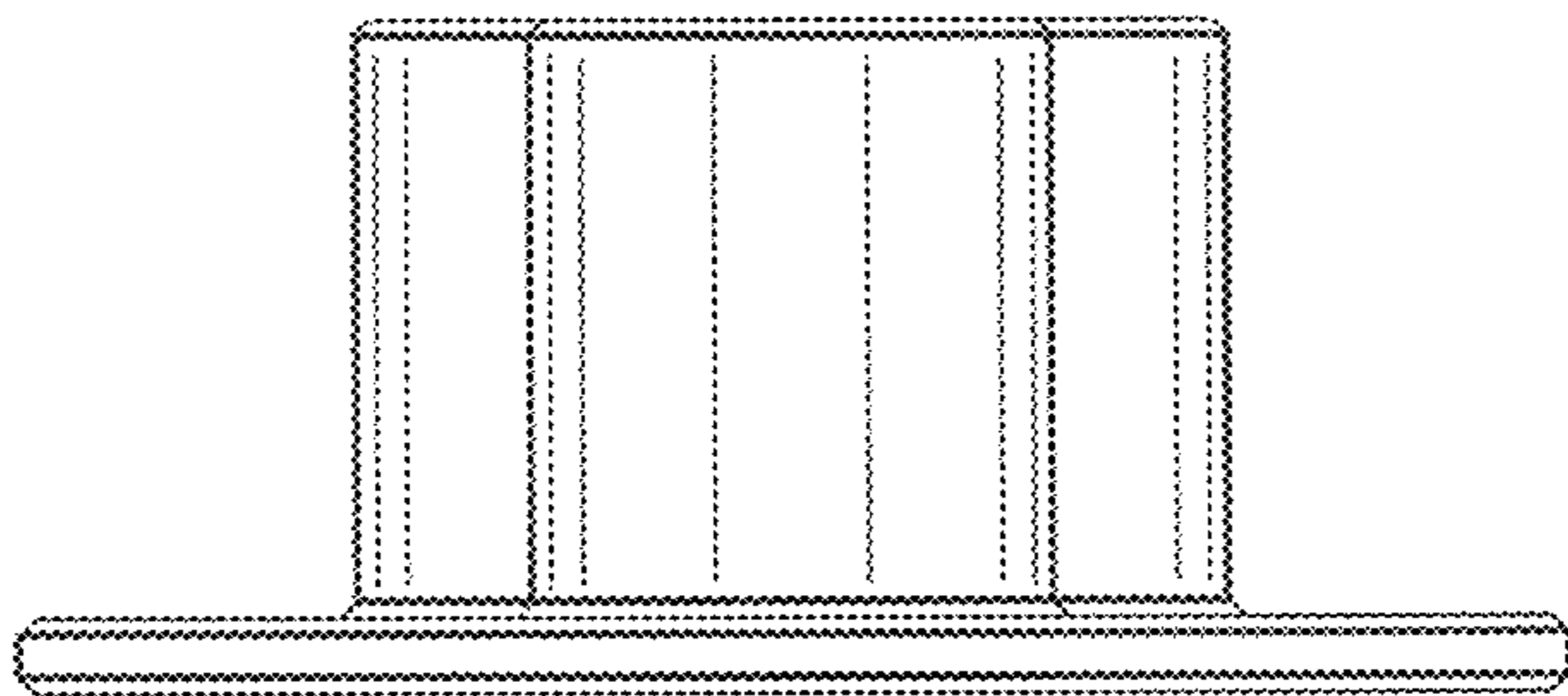


FIG. 4