



US00D756032S

(12) **United States Design Patent**
Chen

(10) **Patent No.:** **US D756,032 S**

(45) **Date of Patent:** **** May 10, 2016**

(54) **CIGAR HUMIDIFIER**

(71) Applicant: **Thomas T Chen**, Spokane, WA (US)

(72) Inventor: **Thomas T Chen**, Spokane, WA (US)

(**) Term: **14 Years**

(21) Appl. No.: **29/474,633**

(22) Filed: **Dec. 4, 2014**

(51) **LOC (10) Cl.** **27-02**

(52) **U.S. Cl.**
USPC **D27/189**

(58) **Field of Classification Search**
USPC D3/229, 273; D9/414, 418, 420, 430,
D9/432; D27/172, 180-193; D13/107,
D13/108, 109
CPC A24F 15/00; A24F 15/005; A24F 15/02;
A24F 15/12; A24F 15/14; A24F 15/18;
A24F 15/20; A24F 23/00; A24F 23/02;
A24F 23/04; B65D 85/1045; B65D 85/1063;
B65D 85/1072; B65D 5/0254
See application file for complete search history.

(56) **References Cited**

U.S. PATENT DOCUMENTS

- 1,831,920 A * 11/1931 Marsh B65D 5/4204
206/782
- 3,690,523 A * 9/1972 Link B65D 5/42
206/806
- D301,979 S * 7/1989 Britz D6/518
- 5,060,852 A * 10/1991 Beckerman B56D 5/4204
229/162.6
- D326,225 S * 5/1992 Beckerman D9/416
- D332,831 S * 1/1993 Burrige D23/335

- D372,523 S * 8/1996 Radtke, Jr. D23/328
- D380,113 S * 6/1997 Byrd D6/515
- D411,332 S * 6/1999 Zelenik D27/187
- D415,266 S * 10/1999 Glattstein D23/356
- D585,534 S * 1/2009 Chen D23/356
- D671,630 S * 11/2012 Hideharu D23/382
- D691,465 S * 10/2013 O'Brien D9/418
- 2007/0012796 A1 * 1/2007 Pohl A24F 25/02
239/34

* cited by examiner

Primary Examiner — Elizabeth Albert

(57) **CLAIM**

I claim the ornamental design for the cigar humidifier, as shown and described.

DESCRIPTION

FIG. 1 is a front view of the cigar humidifier showing my new design.

FIG. 2 is front and right side perspective view of the cigar humidifier.

FIG. 3 is top and front perspective view of the cigar humidifier.

FIG. 4 is a front and left side view of the cigar humidifier.

FIG. 5 is enlarged left side elevation view of the cigar humidifier.

FIG. 6 is top plan view of the cigar humidifier.

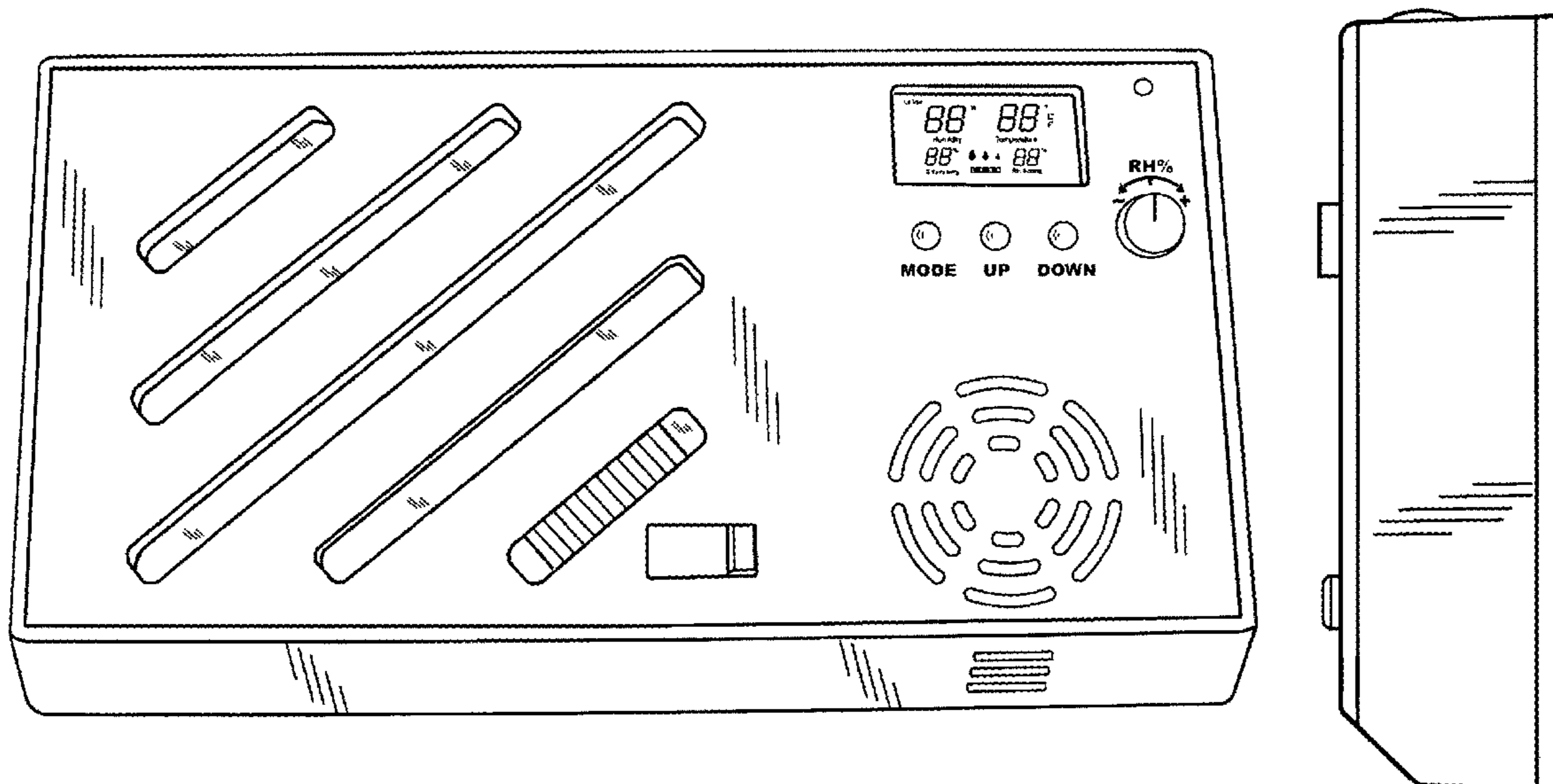
FIG. 7 is bottom plan view of the cigar humidifier.

FIG. 8 is an enlarged right side elevation view of the cigar humidifier; and,

FIG. 9 is a rear elevation view of the cigar humidifier.

The broken lines in FIG. 9 are included for the purpose of showing a portion of the cigar humidifier that forms no part of the claimed design.

1 Claim, 9 Drawing Sheets



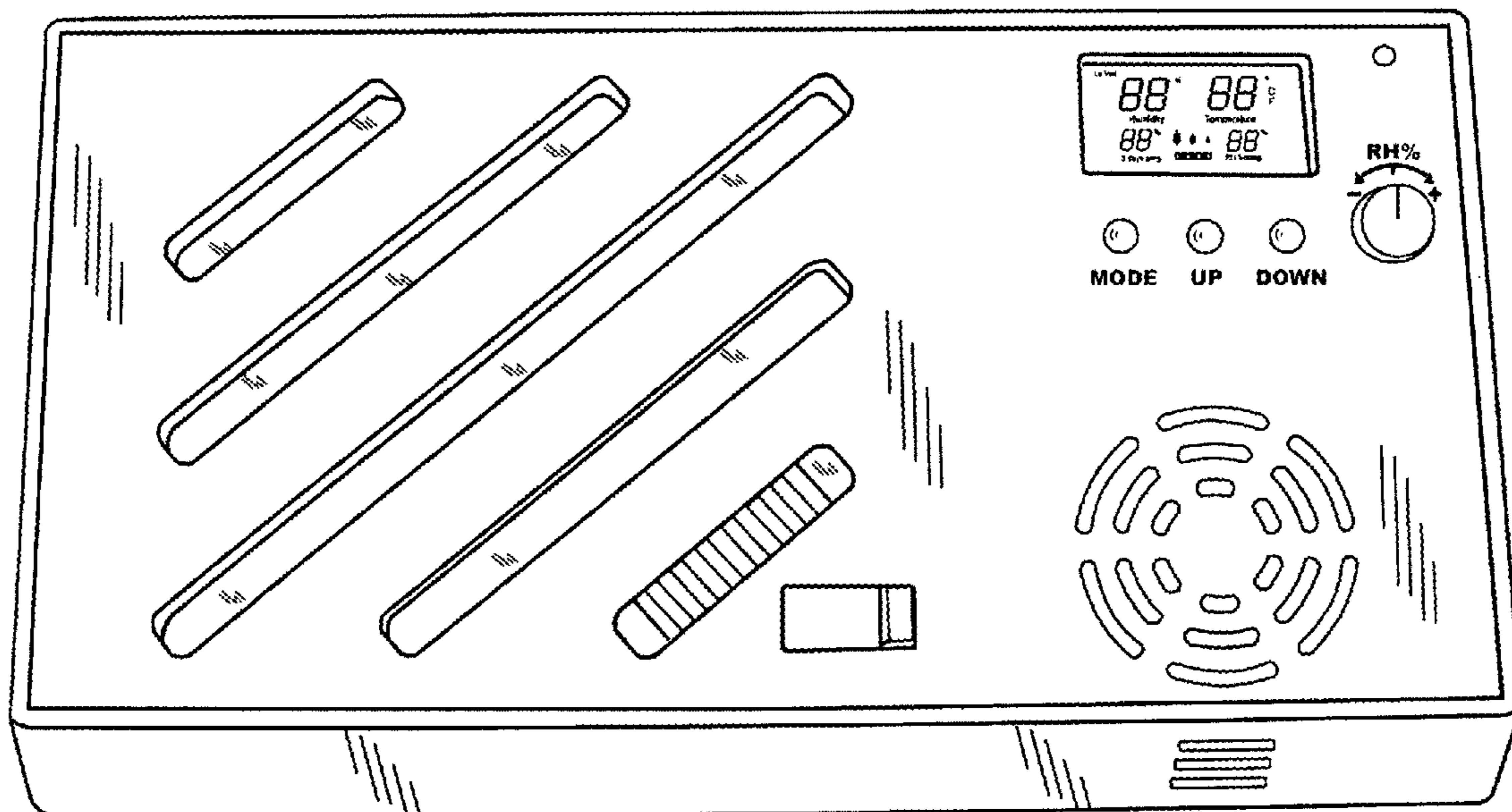


Fig. 1

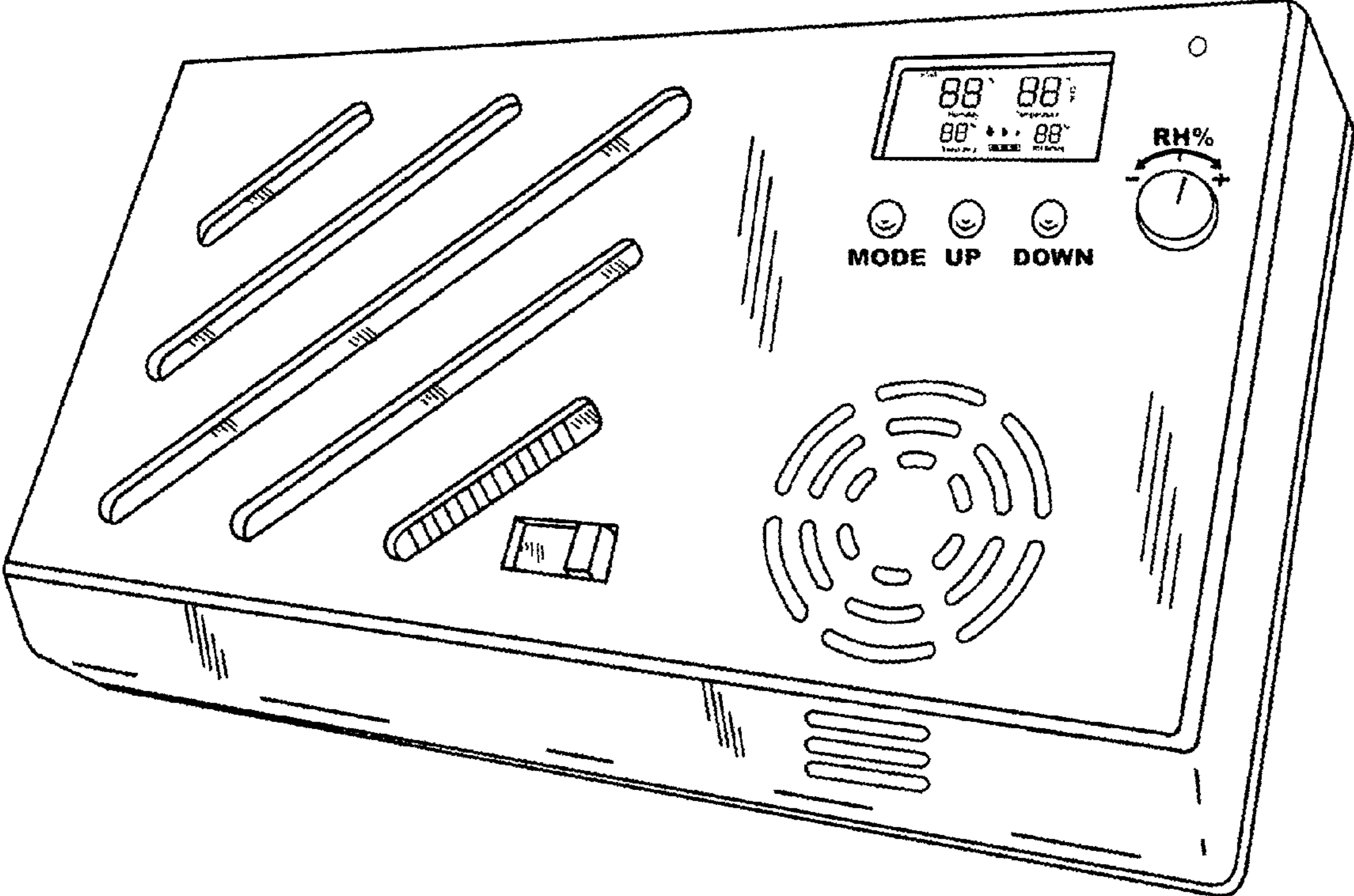


Fig. 2

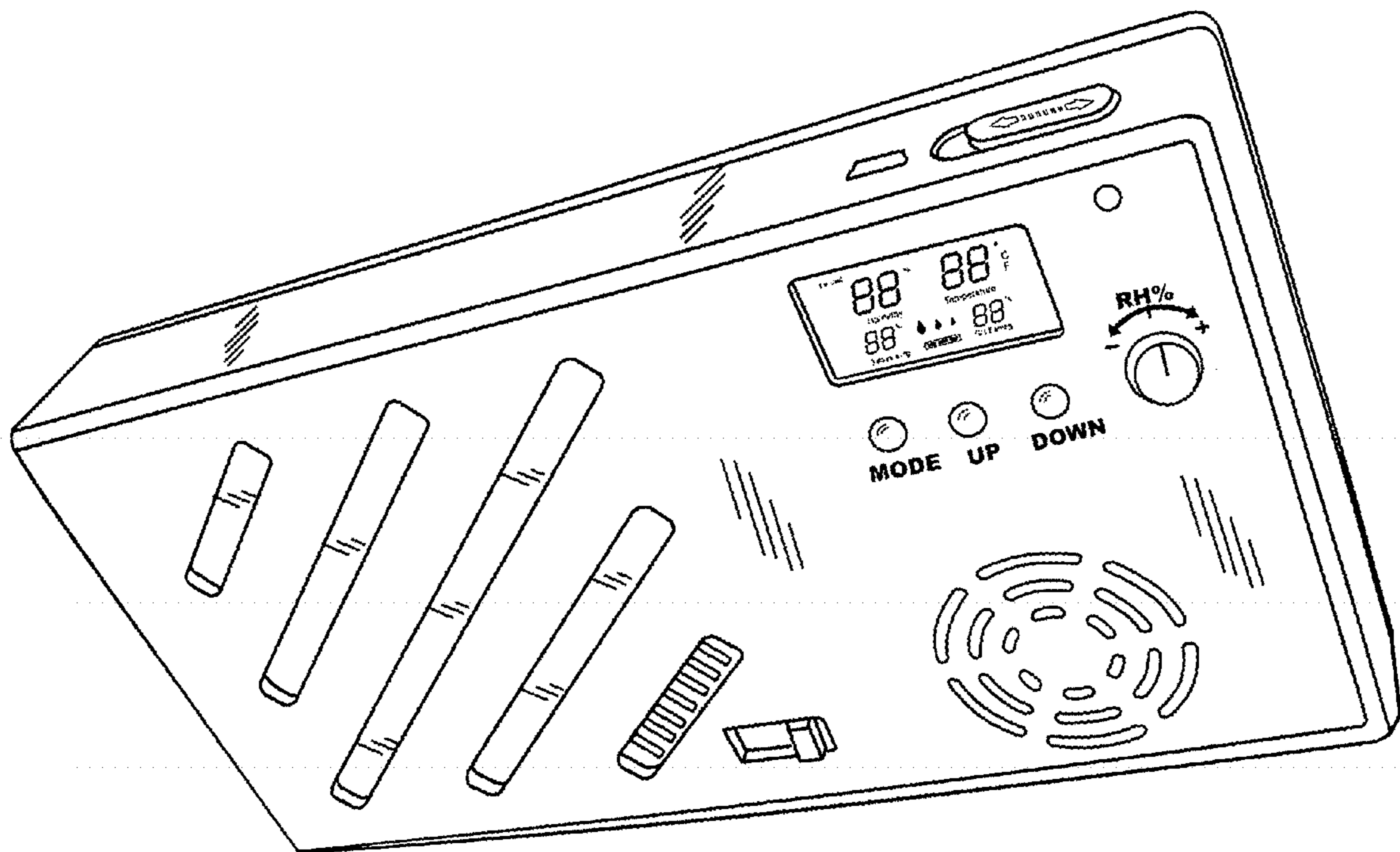


Fig. 3

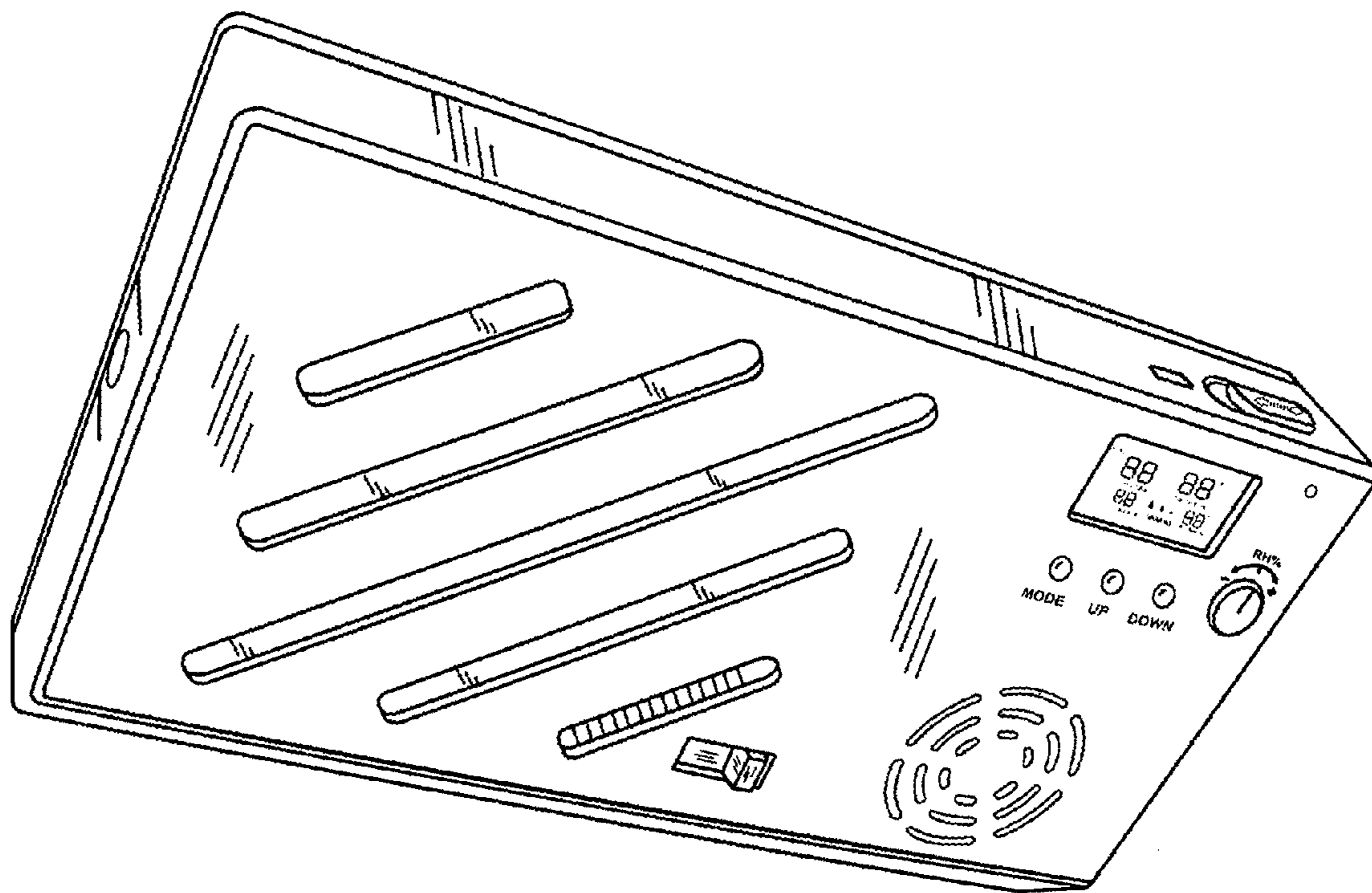


Fig. 4

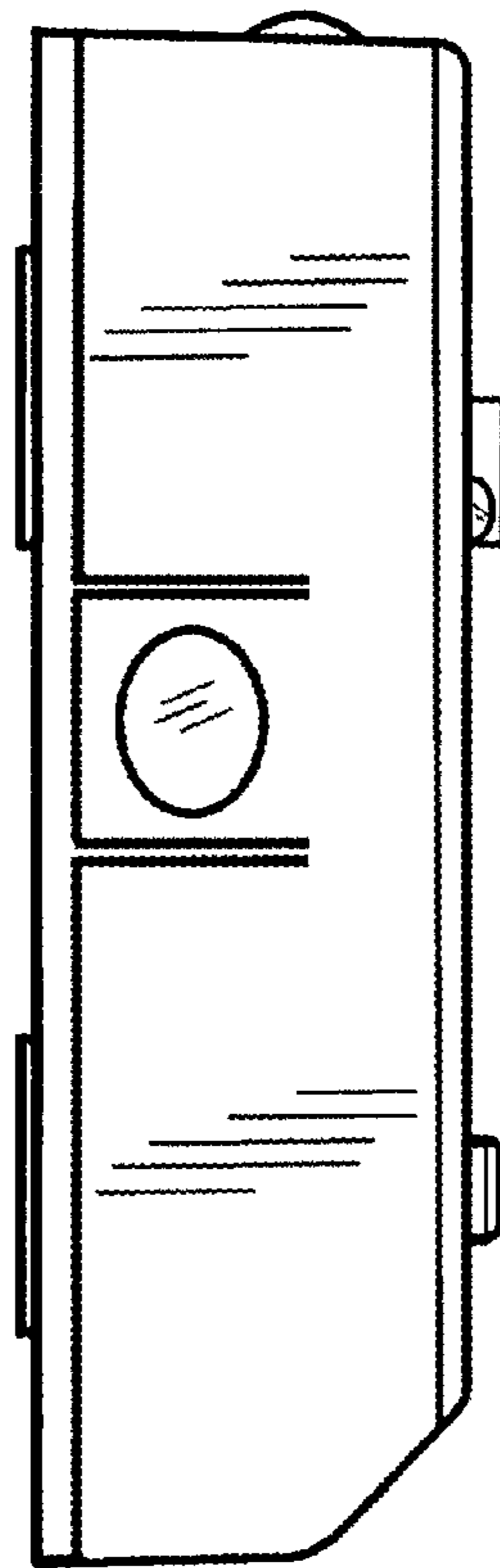


Fig. 5

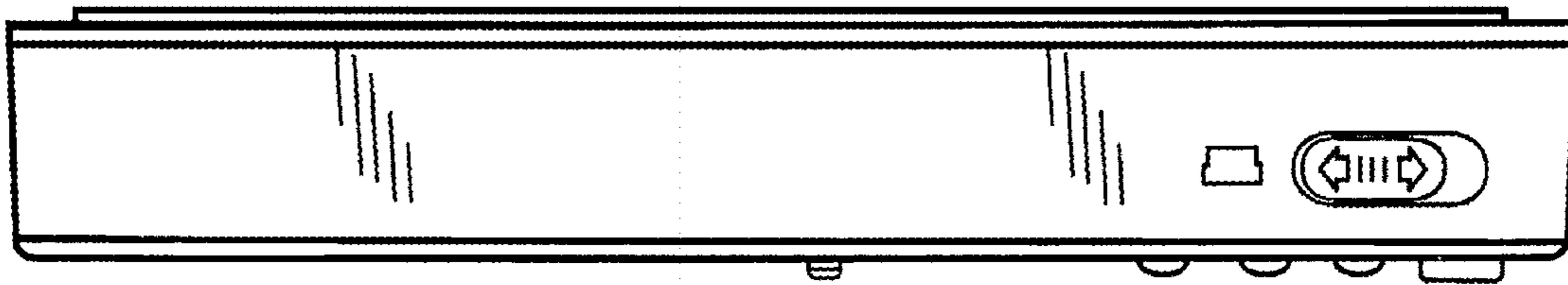


Fig. 6

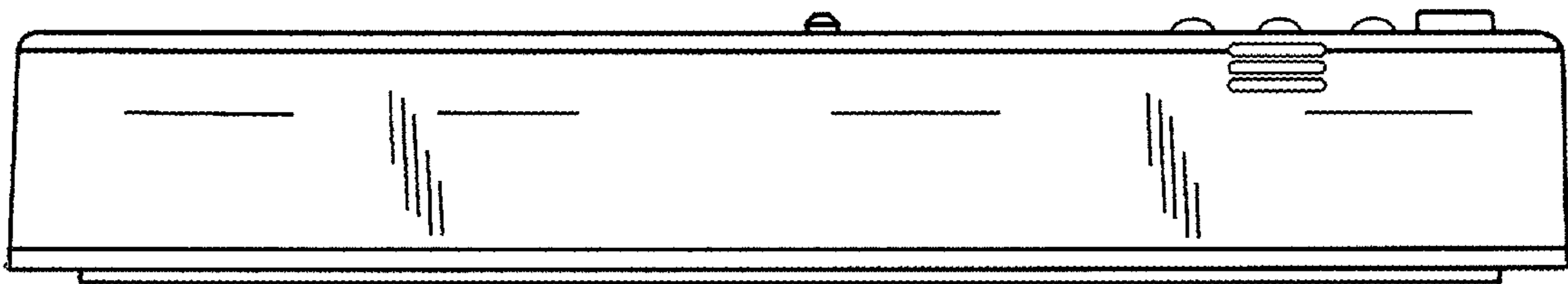


Fig. 7

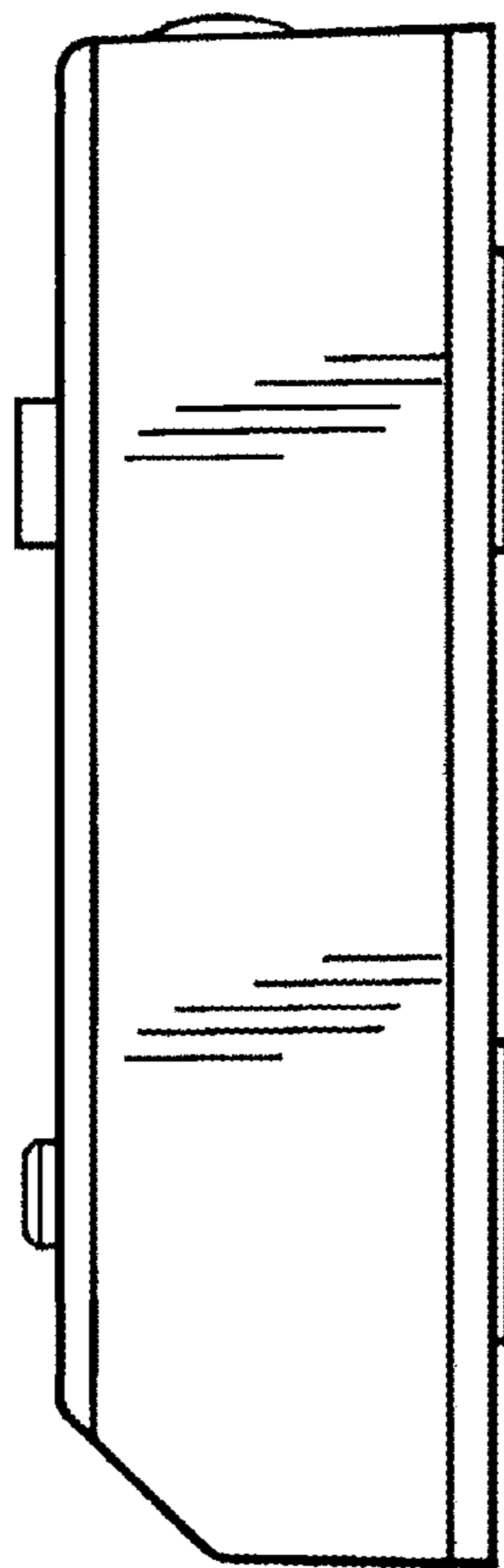


Fig. 8

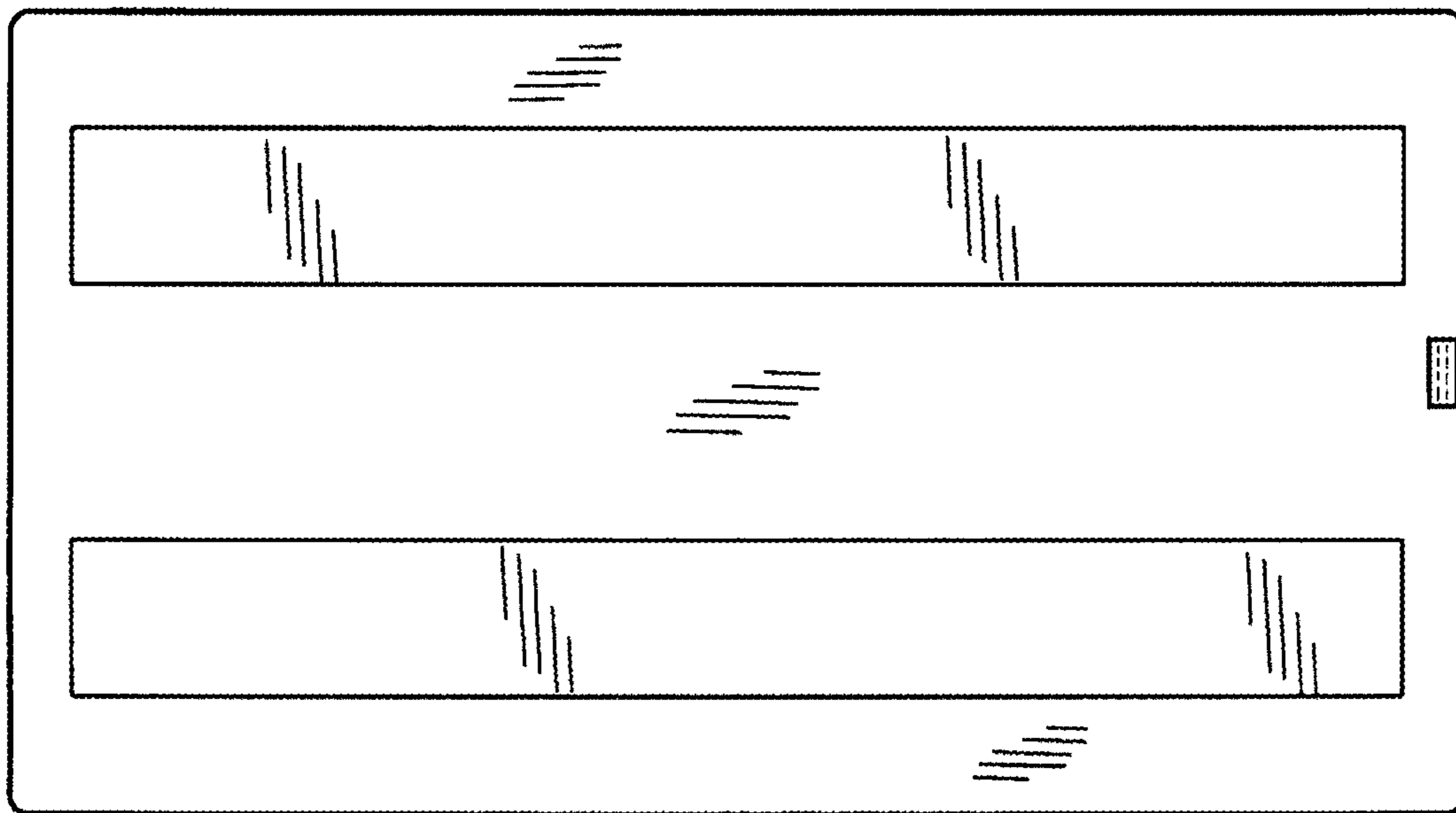


Fig. 9