



US00D756031S

(12) **United States Design Patent**  
**Wu**

(10) **Patent No.:** **US D756,031 S**  
(45) **Date of Patent:** **\*\* May 10, 2016**

(54) **ELECTRONIC CIGARETTE**

(71) Applicant: **SHENZHEN JIESHIBO TECHNOLOGY CO., LTD.**,  
Guangdong (CN)

(72) Inventor: **Jianyong Wu**, Guangdong (CN)

(\*\*) Term: **14 Years**

(21) Appl. No.: **29/499,731**

(22) Filed: **Aug. 18, 2014**

(51) **LOC (10) Cl.** ..... **27-01**

(52) **U.S. Cl.**  
USPC ..... **D27/101**

(58) **Field of Classification Search**  
USPC ..... D27/100, 101, 162, 165, 194; D9/549,  
D9/564, 567; D28/4, 48, 68, 85, 88;  
D24/110; 131/173, 174, 194, 220, 221,  
131/222, 226, 227, 270, 271, 273, 328, 329,  
131/330, 347, 348, 360, 361  
CPC ..... A24B 1/00; A24F 1/02; A24F 1/04;  
A24F 1/06; A24F 1/08; A24F 1/10; A24F  
1/12; A24F 1/14; A24F 1/22; A24F 1/28;  
A24F 1/30; A24F 9/16; A24F 25/00; A24F  
47/00; A24F 47/002; A24F 47/004; A24F  
47/006; A24F 47/008; A24D 1/00; A24D  
1/04; A24D 3/00  
See application file for complete search history.

(56) **References Cited**

U.S. PATENT DOCUMENTS

8,499,766 B1 \* 8/2013 Newton ..... A24F 47/008  
131/273  
D695,449 S \* 12/2013 Tucker ..... D27/101  
D728,154 S \* 4/2015 Lavanchy ..... D27/100  
2010/0200008 A1 \* 8/2010 Taieb ..... A24F 47/008  
131/360

2014/0007863 A1 \* 1/2014 Chen ..... A24F 47/008  
128/200.14  
2014/0069425 A1 \* 3/2014 Zhang ..... A24F 47/008  
128/202.21  
2014/0283858 A1 \* 9/2014 Liu ..... A24F 47/008  
131/329  
2015/0083145 A1 \* 3/2015 Li ..... H01M 2/1055  
131/329  
2015/0164143 A1 \* 6/2015 Maas ..... A24F 47/008  
131/329  
2015/0173422 A1 \* 6/2015 Liu ..... A24F 47/008  
131/329  
2015/0208726 A1 \* 7/2015 Liu ..... H05B 1/0244  
131/329  
2015/0216232 A1 \* 8/2015 Bless ..... A24F 47/008  
131/328  
2015/0216236 A1 \* 8/2015 Bless ..... B23K 26/20  
131/328

\* cited by examiner

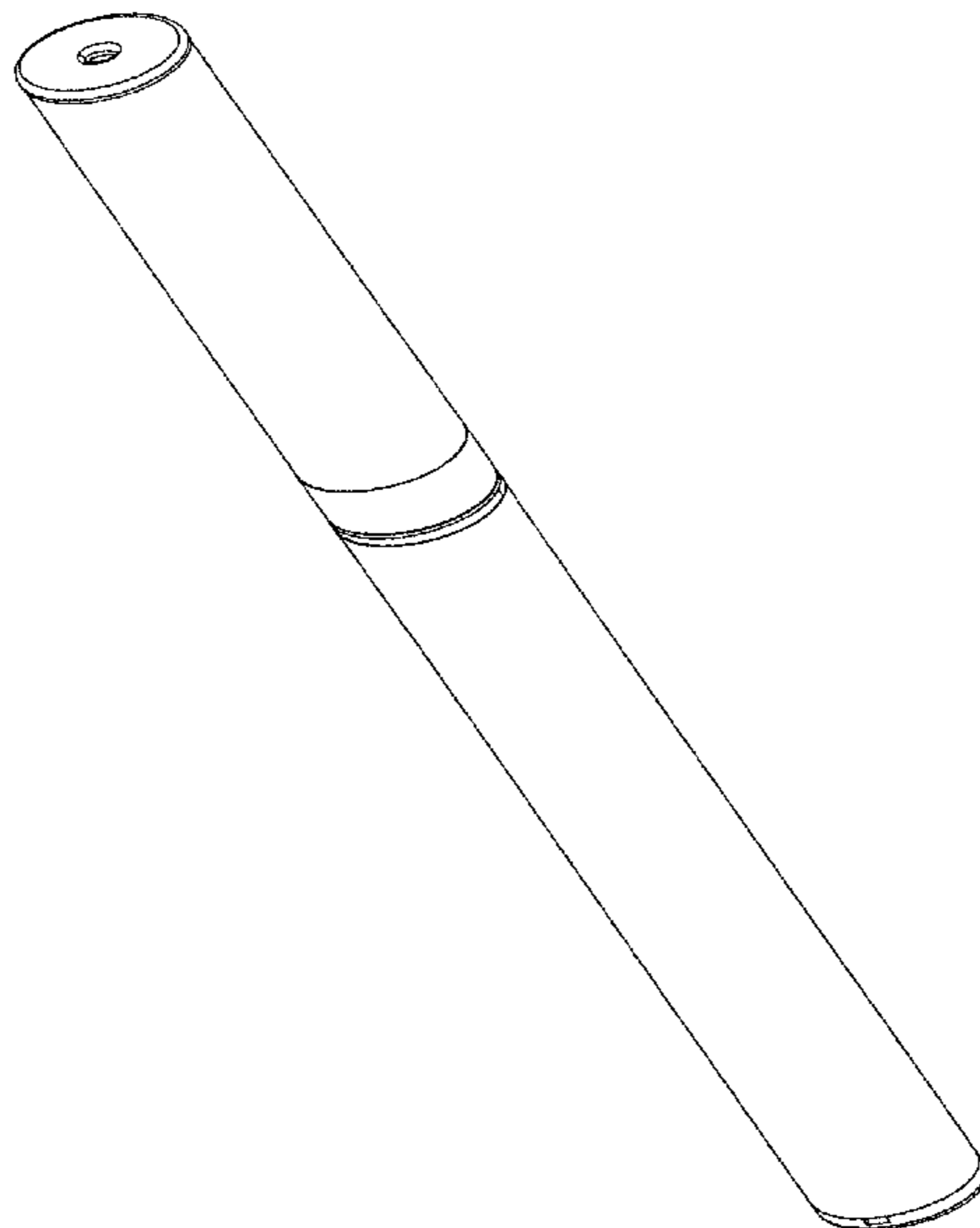
*Primary Examiner* — Rosemary K Tarcza  
*Assistant Examiner* — Christy Nemeth  
(74) *Attorney, Agent, or Firm* — Prakash Nama; Global IP  
Services, PLLC

(57) **CLAIM**  
The ornamental design for an electronic cigarette, as shown  
and described.

**DESCRIPTION**

FIG. 1 is a front elevational view of an electronic cigarette  
showing my new design;  
FIG. 2 is a rear elevational view thereof;  
FIG. 3 is a left side view thereof;  
FIG. 4 is a right side view thereof;  
FIG. 5 is a top plan view thereof;  
FIG. 6 is a bottom plan view thereof;  
FIG. 7 is a front perspective view thereof; and,  
FIG. 8 is a rear perspective view thereof.  
The broken lines shown in FIG. 5 show portions of the elec-  
tronic cigarette which form no part of the claimed design.

**1 Claim, 4 Drawing Sheets**



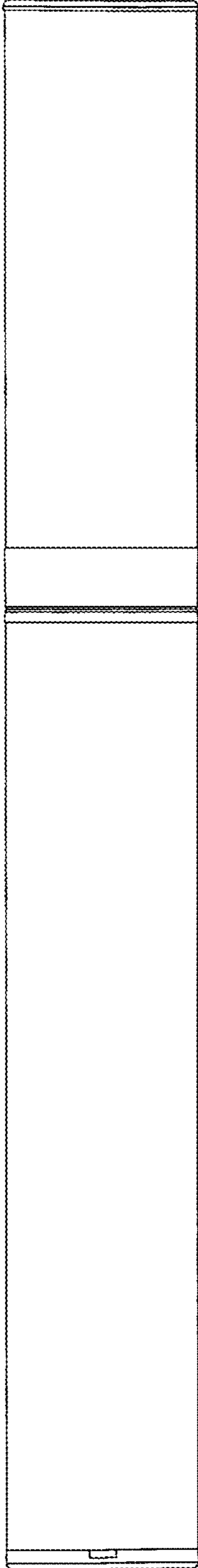


FIG. 1

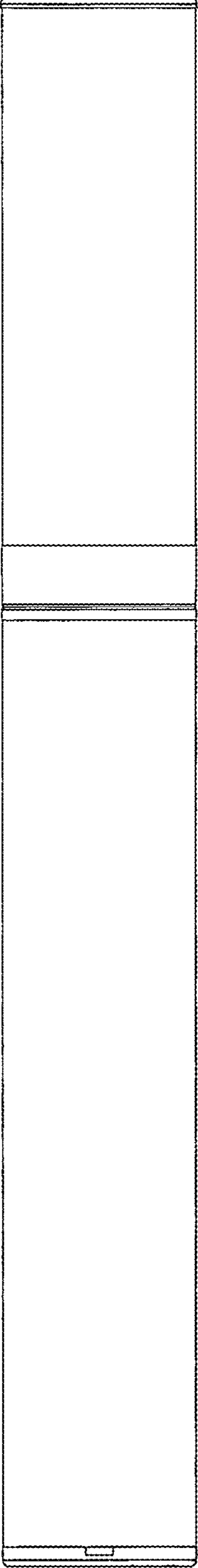


FIG. 2

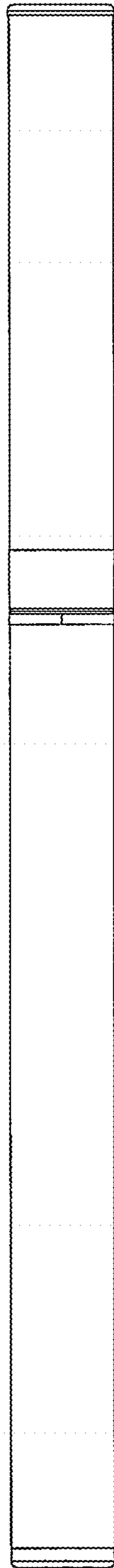


FIG. 3

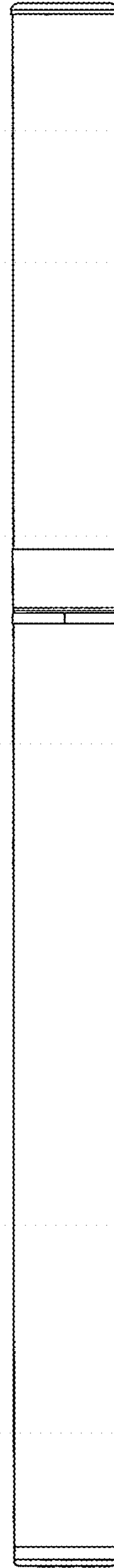


FIG. 4

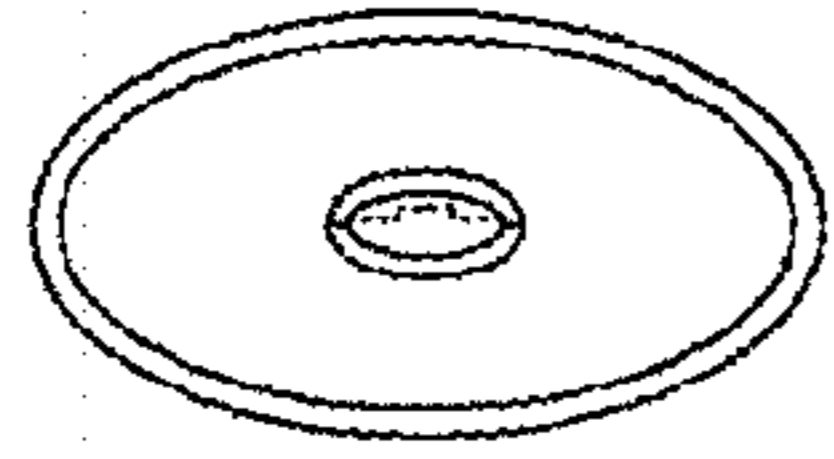


FIG. 5

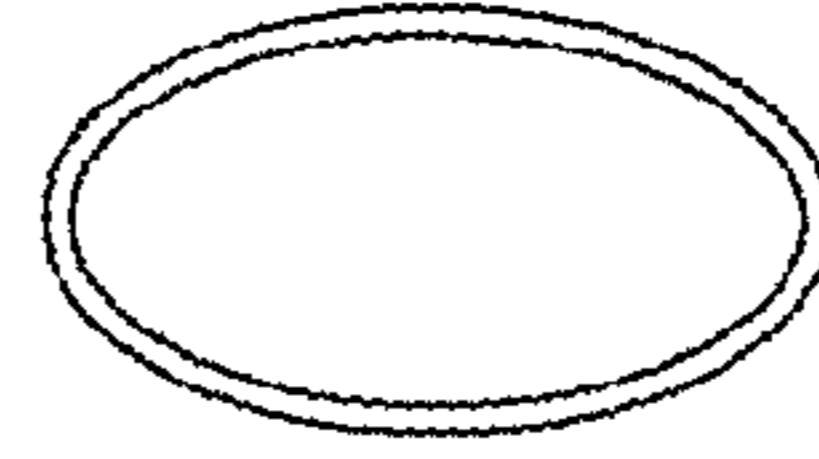


FIG. 6

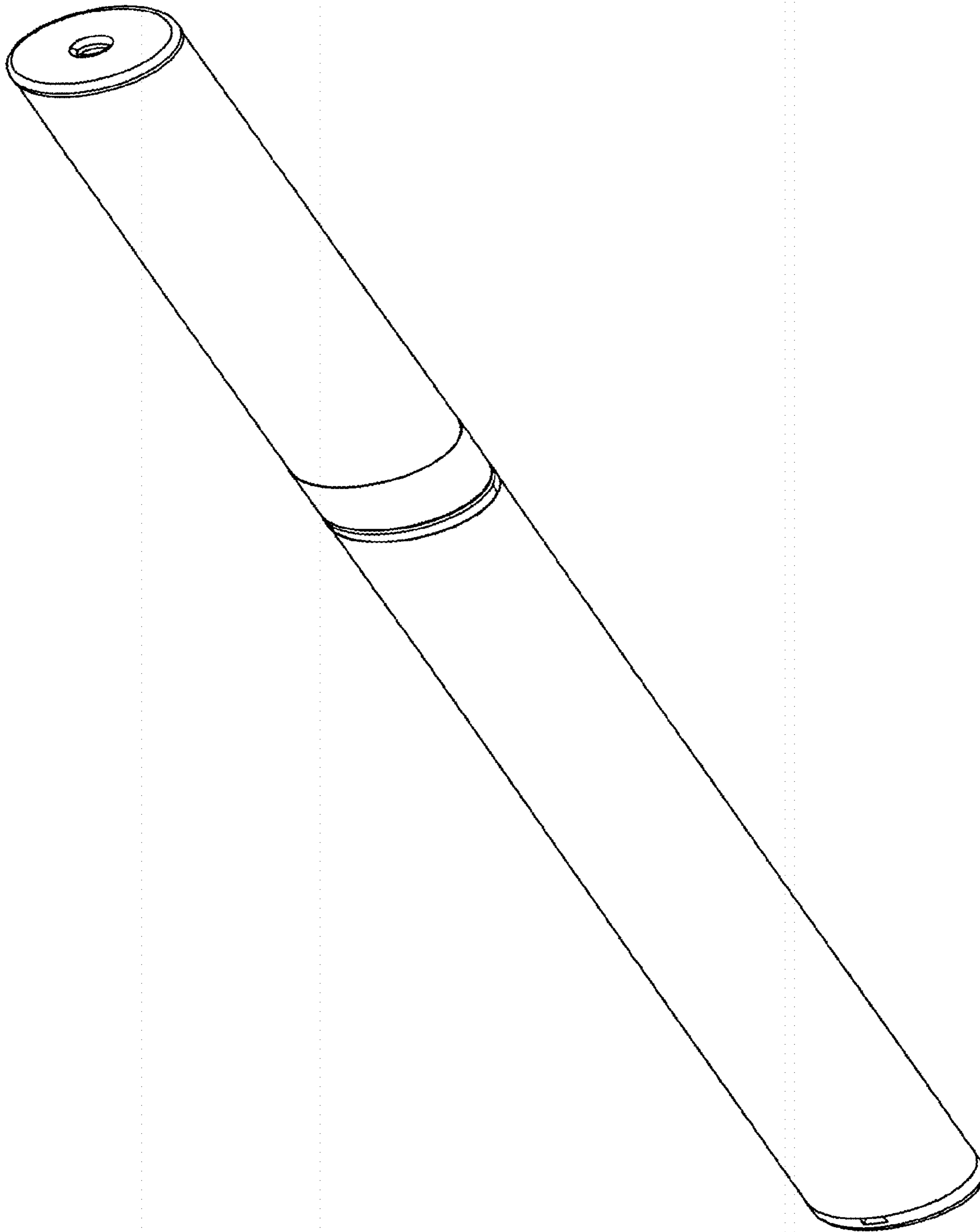


FIG. 7

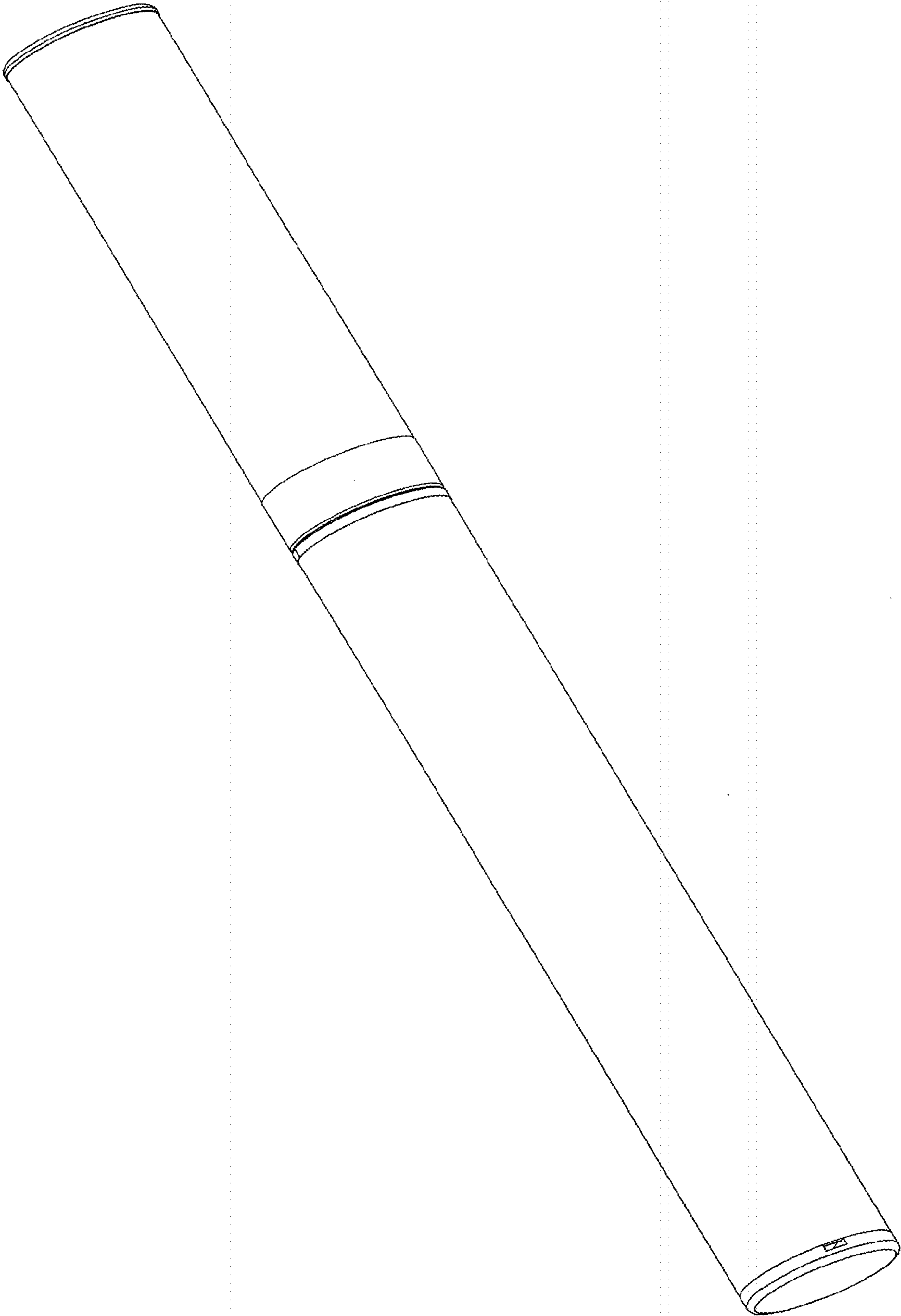


FIG. 8