



US00D756028S

(12) **United States Design Patent**
Shipman

(10) **Patent No.:** **US D756,028 S**

(45) **Date of Patent:** **** May 10, 2016**

(54) **COVER FOR WIRE HARNESS CONNECTING VEHICULAR ILLUMINATED INDICIA**

(71) Applicant: **Michael Shipman**, Newport Coast, CA (US)

(72) Inventor: **Michael Shipman**, Newport Coast, CA (US)

(**) Term: **14 Years**

(21) Appl. No.: **29/511,030**

(22) Filed: **Dec. 5, 2014**

(51) **LOC (10) Cl.** **26-99**

(52) **U.S. Cl.**
USPC **D26/142**; D26/113

(58) **Field of Classification Search**
USPC D10/18, 21, 24, 25, 27, 28, 46, 93, 104, D10/106, 113, 116.1, 121; D26/72, 118, D26/120, 124, 138
CPC A63H 30/04; G05G 2009/04748; H04B 1/1027; F21S 8/04; F21S 2/005; F21S 2/00; B29D 21/04; F21V 15/015; F21V 27/00; F21V 21/14; F21V 21/005; F21Y 2103/00

See application file for complete search history.

(56) **References Cited**

U.S. PATENT DOCUMENTS

345,660 A * 7/1886 Ashworth A41F 9/002
2/339
D23,114 S * 3/1894 Ratcliff D7/554.2

(Continued)

OTHER PUBLICATIONS

Pickup surrounds, image post date 1998, site visited Oct. 8, 2015, (online), <<https://fryerguitars.wordpress.com/red-special-restoration-1998/>>.*

Carved Wooden Oval Bowl, image post date 2000, site visited Oct. 8, 2015, (online), <<https://www.pier1.com/Carved-Wooden-Oval-Bowl/2916572,default,pd.html?cgid=vases>>.*

Extruded shape with rounded corners, image post date Dec. 18, 2014, site visited Oct. 8, 2015, (online), <<http://blender.stackexchange.com/questions/21107/can-shapes-with-rounded-corners-be-extruded-with-even-thickness>>.*

Primary Examiner — Kevin Rudzinski

Assistant Examiner — Sean D Lough

(74) *Attorney, Agent, or Firm* — Russo & Duckworth, LLP; David G. Duckworth

(57) **CLAIM**

The ornamental design for the cover for wire harness connecting vehicular illuminated indicia, as shown and described.

DESCRIPTION

FIG. 1 is a top, left, rear perspective view of the cover for wire harness connecting vehicular illuminated indicia showing my design;

FIG. 2 is a bottom, right, rear perspective view thereof;

FIG. 3 is a front elevation view thereof;

FIG. 4 is a rear elevation view thereof;

FIG. 5 is a left elevation view thereof;

FIG. 6 is a right elevation view thereof;

FIG. 7 is a top plan view thereof;

FIG. 8 is a bottom plan view thereof;

FIG. 9 is a top, left, rear perspective view of the cover for wire harness connecting vehicular illuminated indicia showing my design covering a harness connecting four indicia;

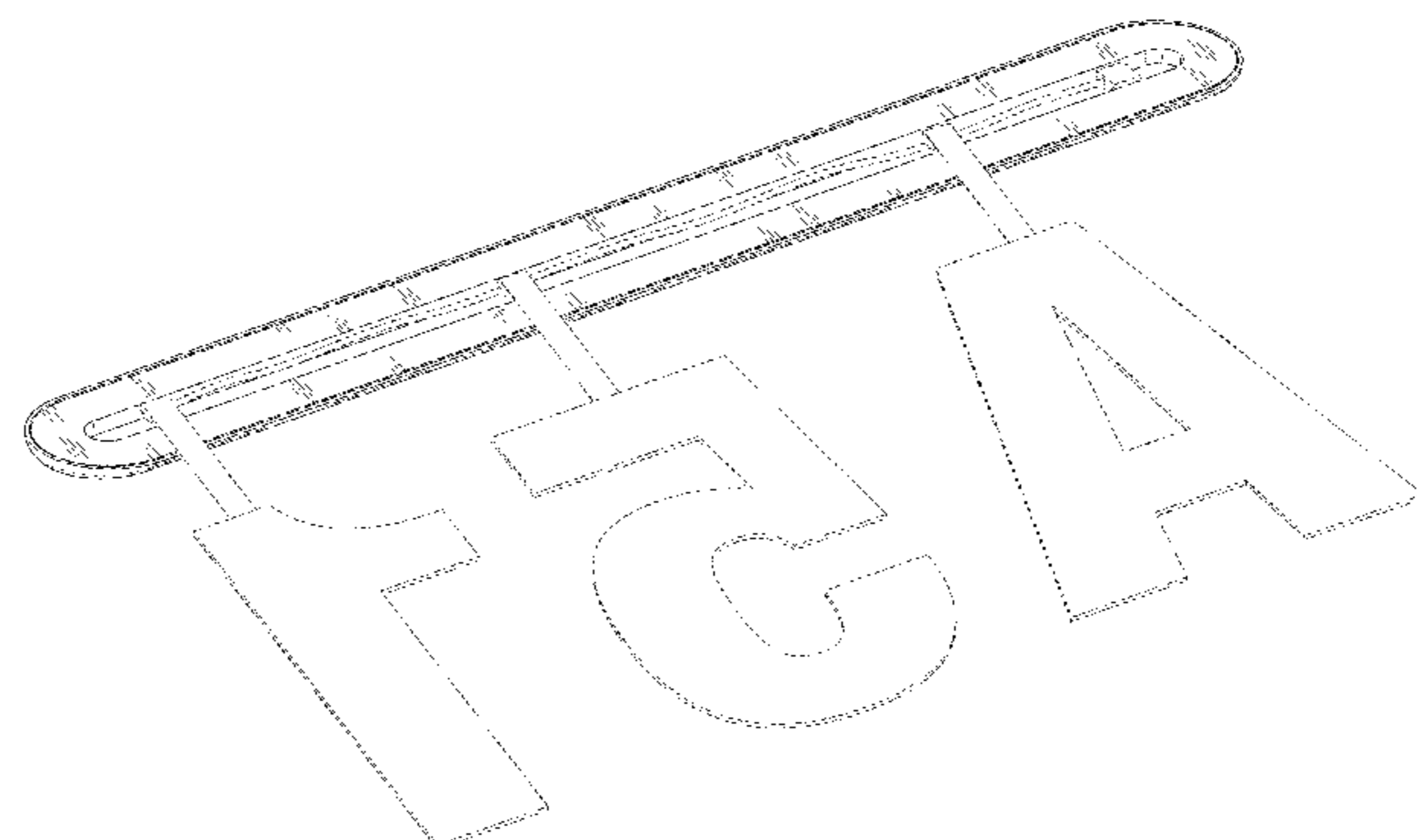
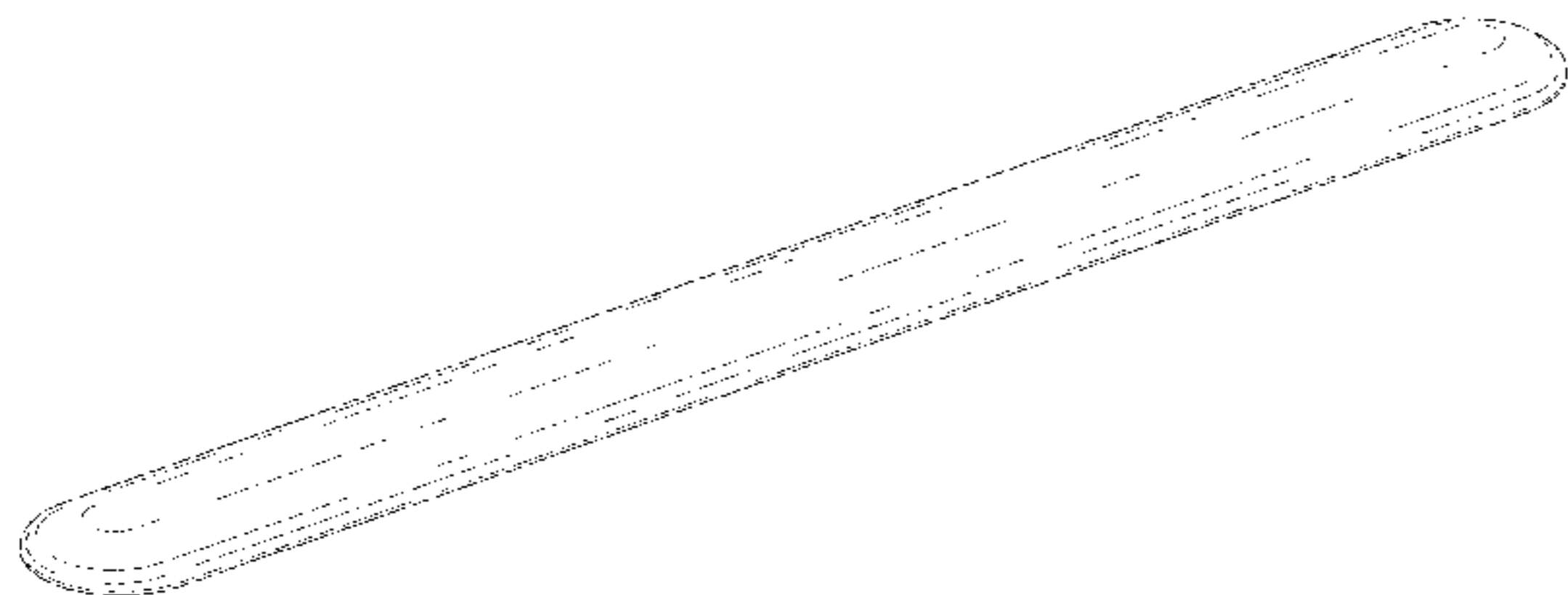
FIG. 10 is a top, left, rear perspective view of the cover for wire harness connecting vehicular illuminated indicia showing my design covering a harness connecting three indicia;

FIG. 11 is a bottom, right, rear perspective view of the cover for wire harness connecting vehicular illuminated indicia showing my design attached to a wire harness connecting three indicia; and,

FIG. 12 is a top plan view of the cover for wire harness connecting vehicular illuminated indicia showing my design as attached to a portion of an emergency response vehicle depicted covering a wire harness connecting four indicia.

The broken lines shown represent environmental subject matter that forms no part of the claimed design. Specifically, the indicia and wire harness illustrated in FIGS. 9-12; and the portion of the emergency response vehicle shown in FIG. 12 illustrate environment of the cover for wire harness connecting vehicular illuminated indicia forms no part of the claimed design. Further, FIG. 12 includes two dash-dot border lines that limit the environmental subject matter depicted to that of a portion of an emergency response vehicle. The dash-dot border lines as well as portions of the environmental subject matter depicted form no part of the claimed design.

1 Claim, 7 Drawing Sheets



(56)

References Cited

U.S. PATENT DOCUMENTS

2,634,799 A * 4/1953 Young A47C 27/081
267/81
2,958,810 A * 11/1960 Balf G01R 11/04
200/51.1
D203,160 S * 12/1965 Blum et al. D25/121
3,436,719 A * 4/1969 Scheinbaum H01M 2/22
439/504
D279,067 S * 6/1985 Kuster D7/554.2
4,692,198 A * 9/1987 Borresen B41M 5/035
156/235
D292,322 S * 10/1987 Krol D26/72
4,700,981 A * 10/1987 Seyler B21D 39/20
156/295
D298,360 S * 11/1988 Dacanay D26/85
D309,593 S * 7/1990 Bailey D12/167
D322,013 S * 12/1991 Daenen D7/502
5,125,606 A * 6/1992 Cassano A47B 21/0371
248/118
5,154,715 A * 10/1992 Van Iten A61F 13/5616
604/385.03
D333,363 S * 2/1993 Lee D26/142
5,200,280 A * 4/1993 Karasa H01M 2/105
429/100
5,224,013 A * 6/1993 Pagliuca H01T 4/06
337/32
D341,509 S * 11/1993 Evans D6/601
5,381,320 A * 1/1995 Jordan F21V 3/00
362/147
D356,392 S * 3/1995 Chen D26/142
D358,680 S * 5/1995 Chen D26/142
D359,374 S * 6/1995 Weinstock D26/80
5,445,858 A * 8/1995 Nwoko A45F 3/12
428/174
D362,315 S * 9/1995 Herst D26/76
D366,038 S * 1/1996 Rogers D14/461
D371,630 S * 7/1996 Milicia D26/142
D372,331 S * 7/1996 Cheng D26/142
D374,737 S * 10/1996 Can D26/80
5,579,657 A * 12/1996 Makous E05B 73/0005
248/51
D380,854 S * 7/1997 Bray D26/142
D381,450 S * 7/1997 Sonneman D26/72
D386,007 S * 11/1997 Eckhardt D11/131
D393,099 S * 3/1998 Dolan D26/142
D396,323 S * 7/1998 Miranda D26/142
D399,195 S * 10/1998 Cummings D14/460
D414,580 S * 9/1999 Herst D26/76
D423,711 S * 4/2000 Chen D26/142
D432,711 S * 10/2000 Miranda D26/142
D440,696 S * 4/2001 Dolan D26/142
6,219,867 B1 * 4/2001 Yates A47B 21/0371
248/118
D441,906 S * 5/2001 Lee D26/142
6,247,828 B1 * 6/2001 Herst F21S 8/06
362/217.03
D444,910 S * 7/2001 Lee D26/142
6,292,964 B1 * 9/2001 Rose A47G 9/10
5/630
D449,127 S * 10/2001 Yang D26/87
D461,587 S * 8/2002 Lee D26/142
D461,929 S * 8/2002 De'Armond D26/142
6,434,087 B1 * 8/2002 Schell G11B 11/10506
369/116
D464,167 S * 10/2002 De'Armond D26/142
D465,482 S * 11/2002 Nuovo D14/248
6,499,703 B2 * 12/2002 Chou A47B 21/0371
248/118
D476,517 S * 7/2003 Davis D6/601
D477,767 S * 7/2003 Burdett D8/330
6,694,553 B1 * 2/2004 Yates A47B 21/0371
5/646
D493,565 S * 7/2004 Smith D26/118
D498,018 S * 11/2004 Siczkowski D26/118
D498,965 S * 11/2004 Thompson D6/601
D505,224 S * 5/2005 Smith D26/142

D507,844 S * 7/2005 Friedman D26/118
D526,736 S * 8/2006 Blackman D26/76
7,157,633 B1 * 1/2007 Kopesec G09B 15/06
248/118
D538,462 S * 3/2007 Verfuert D26/118
D543,125 S * 5/2007 Feibelman D10/106.9
D545,477 S * 6/2007 DeBruyne D26/76
D548,373 S * 8/2007 Handsaker D26/24
D549,871 S * 8/2007 Karussi D28/8.1
D551,041 S * 9/2007 Park D8/19
D551,792 S * 9/2007 Philpot D26/76
D562,570 S * 2/2008 Leyden D6/309
D563,583 S * 3/2008 Iai D26/65
D567,425 S * 4/2008 Yates D26/76
D574,550 S * 8/2008 Salman D26/113
D575,898 S * 8/2008 Tran D26/113
D577,852 S * 9/2008 Miyairi D26/120
D579,139 S * 10/2008 Ghini D26/72
D584,441 S * 1/2009 Ghini D26/76
D584,844 S * 1/2009 Ghini D26/76
D585,587 S * 1/2009 Fan D26/118
D589,966 S * 4/2009 Zuckerman D14/461
D593,703 S * 6/2009 Copeland D26/89
D596,343 S * 7/2009 Boissevain D26/120
D605,338 S * 12/2009 Salman D26/113
D611,645 S * 3/2010 Copeland D26/76
D615,469 S * 5/2010 Huang D12/190
D617,513 S * 6/2010 Still D32/29.1
D617,935 S * 6/2010 Miletich D26/76
D618,381 S * 6/2010 Huang D26/118
D619,669 S * 7/2010 Mesirow D21/797
D626,267 S * 10/2010 Ng D26/76
D627,095 S * 11/2010 Miyairi D26/120
D629,959 S * 12/2010 Boissevain D26/120
D639,465 S * 6/2011 Abernethy D26/24
D640,526 S * 6/2011 Cash D8/352
D642,726 S * 8/2011 Khubani D26/37
D644,647 S * 9/2011 Sykes D14/447
D647,241 S * 10/2011 Takahashi D26/72
D649,282 S * 11/2011 McDonald D26/118
D649,673 S * 11/2011 Liang D26/72
D650,507 S * 12/2011 Osiecki D26/72
D654,212 S * 2/2012 Blum D26/118
D658,798 S * 5/2012 Hillard D26/51
D660,497 S * 5/2012 Chung D26/75
D661,833 S * 6/2012 Imajo D26/118
D663,065 S * 7/2012 Beggelli D26/76
D665,195 S * 8/2012 Hsieh D8/71
D668,382 S * 10/2012 Schieffelin D26/142
D668,383 S * 10/2012 Schieffelin D26/142
D670,524 S * 11/2012 Oberlander D6/601
D677,422 S * 3/2013 Lin D26/120
D677,423 S * 3/2013 Reddy D26/128
D681,866 S * 5/2013 Lin D26/120
D685,943 S * 7/2013 Duquette D26/74
D686,772 S * 7/2013 Waltz D26/118
D687,177 S * 7/2013 Grandsart D26/85
D690,847 S * 10/2013 Wang D26/24
D691,764 S * 10/2013 Siczkowski D26/120
D693,813 S * 11/2013 Symons D14/432
D695,445 S * 12/2013 Panchisin D26/118
D701,639 S * 3/2014 Maxik D26/138
D703,398 S * 4/2014 Nixon D32/29.1
D703,399 S * 4/2014 Nixon D32/29.1
D706,516 S * 6/2014 Caglia D1/105
D707,880 S * 6/2014 Magnusson D26/120
D709,242 S * 7/2014 Rogers D26/142
D710,049 S * 7/2014 Haws D26/142
D712,086 S * 8/2014 Barbato D26/122
D712,089 S * 8/2014 Rogers D26/142
D725,816 S * 3/2015 Fissell D26/113
8,966,795 B1 * 3/2015 Shipman B60Q 1/503
40/592
D727,588 S * 4/2015 Kemper, Sr. D99/1
D731,700 S * 6/2015 Santoro D26/118
D735,390 S * 7/2015 Yanping D26/74
D735,392 S * 7/2015 Ng D26/76
D736,988 S * 8/2015 Chen D26/120
D737,500 S * 8/2015 Santoro D26/120

(56)

References Cited

U.S. PATENT DOCUMENTS

D739,594 S * 9/2015 Adams D26/118
D739,595 S * 9/2015 Reynolds D26/118
D740,479 S * 10/2015 Beno D26/118
D742,269 S * 11/2015 Stein D10/114.4
D747,228 S * 1/2016 Fiedler D10/104.1
D747,529 S * 1/2016 Yoon D26/74
D747,539 S * 1/2016 Santoro D26/120
D747,826 S * 1/2016 Ladnier D26/138

2004/0167056 A1* 8/2004 Lentsch C11D 1/521
510/504
2010/0295748 A1* 11/2010 Bradley H01Q 1/42
343/872
2014/0059904 A1* 3/2014 Shipman G09F 13/20
40/542
2015/0047238 A1* 2/2015 Shipman B60Q 1/2611
40/544
2015/0130722 A1* 5/2015 Shipman G06F 3/0202
345/170

* cited by examiner

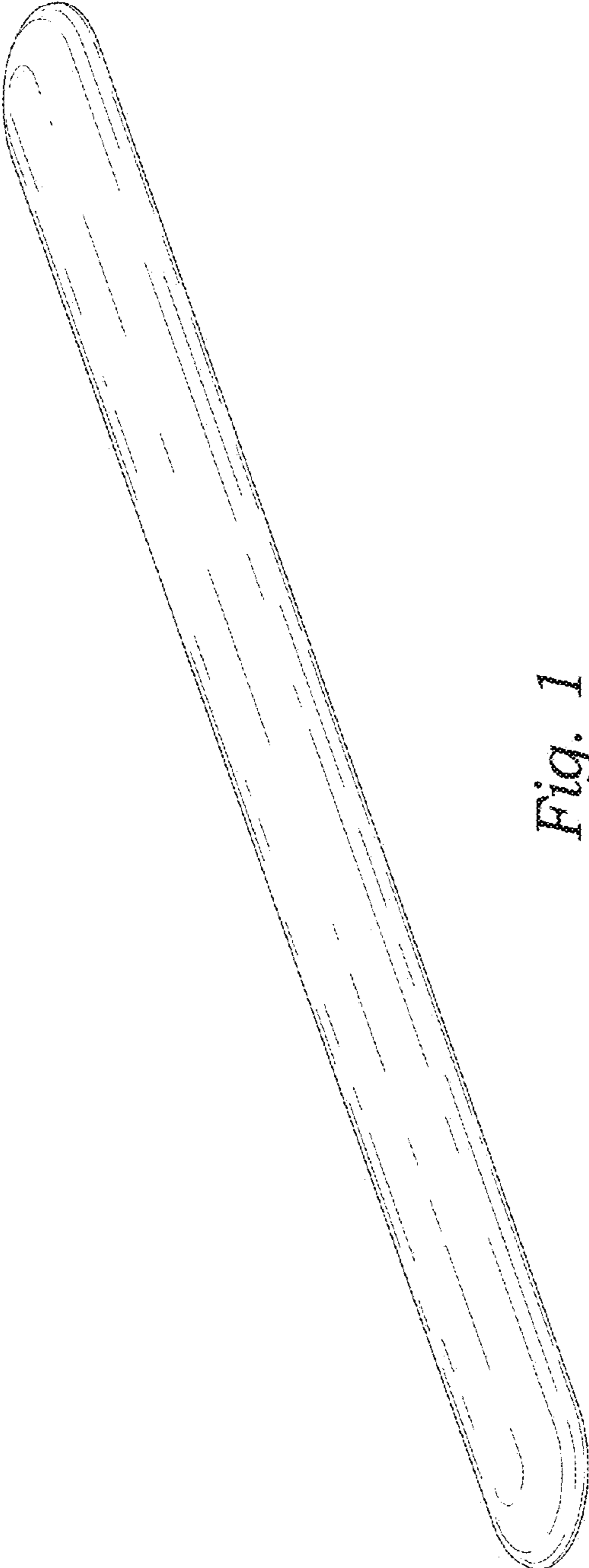


Fig. 1

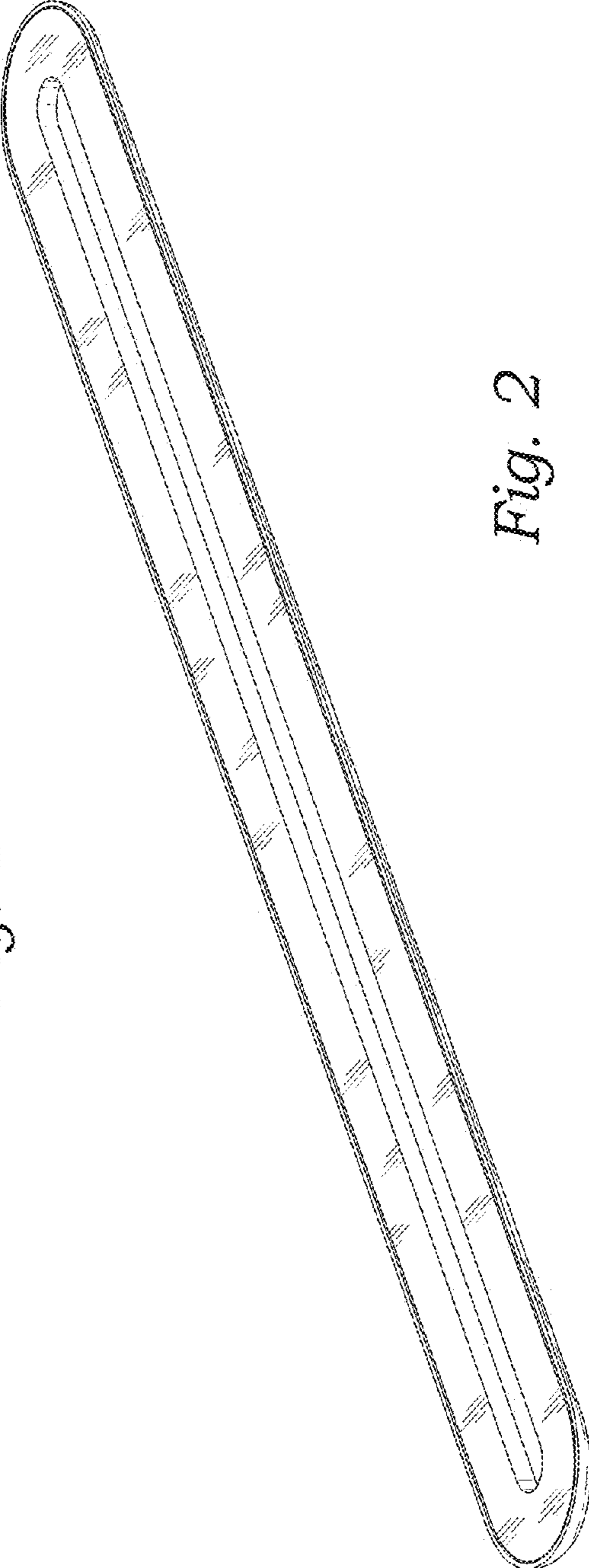


Fig. 2

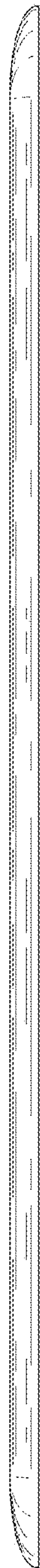


Fig. 3



Fig. 4

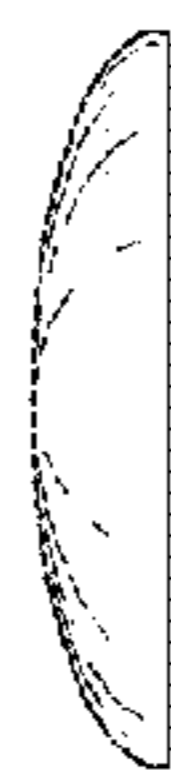


Fig. 5

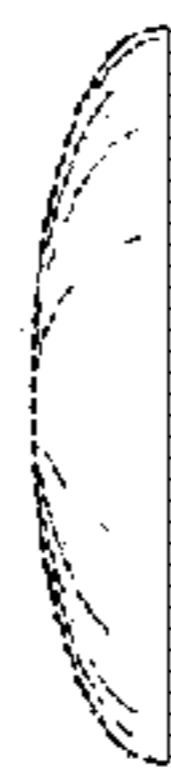


Fig. 6

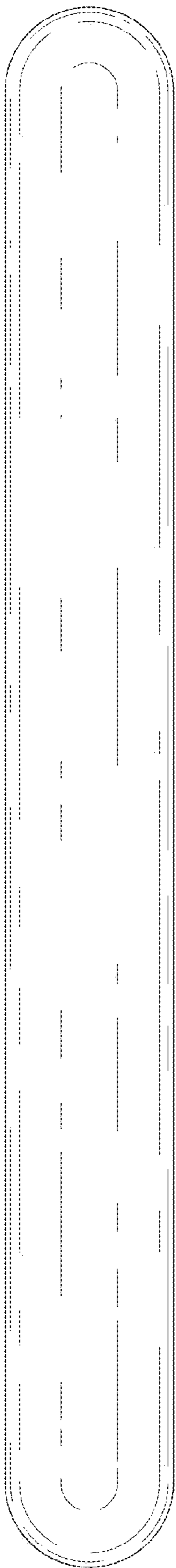


Fig. 7

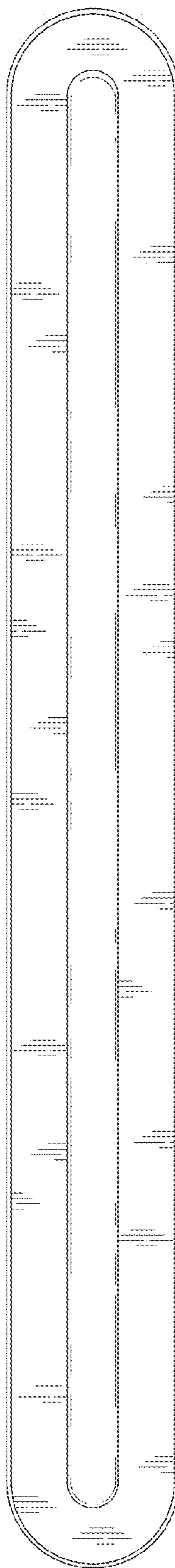


Fig. 8

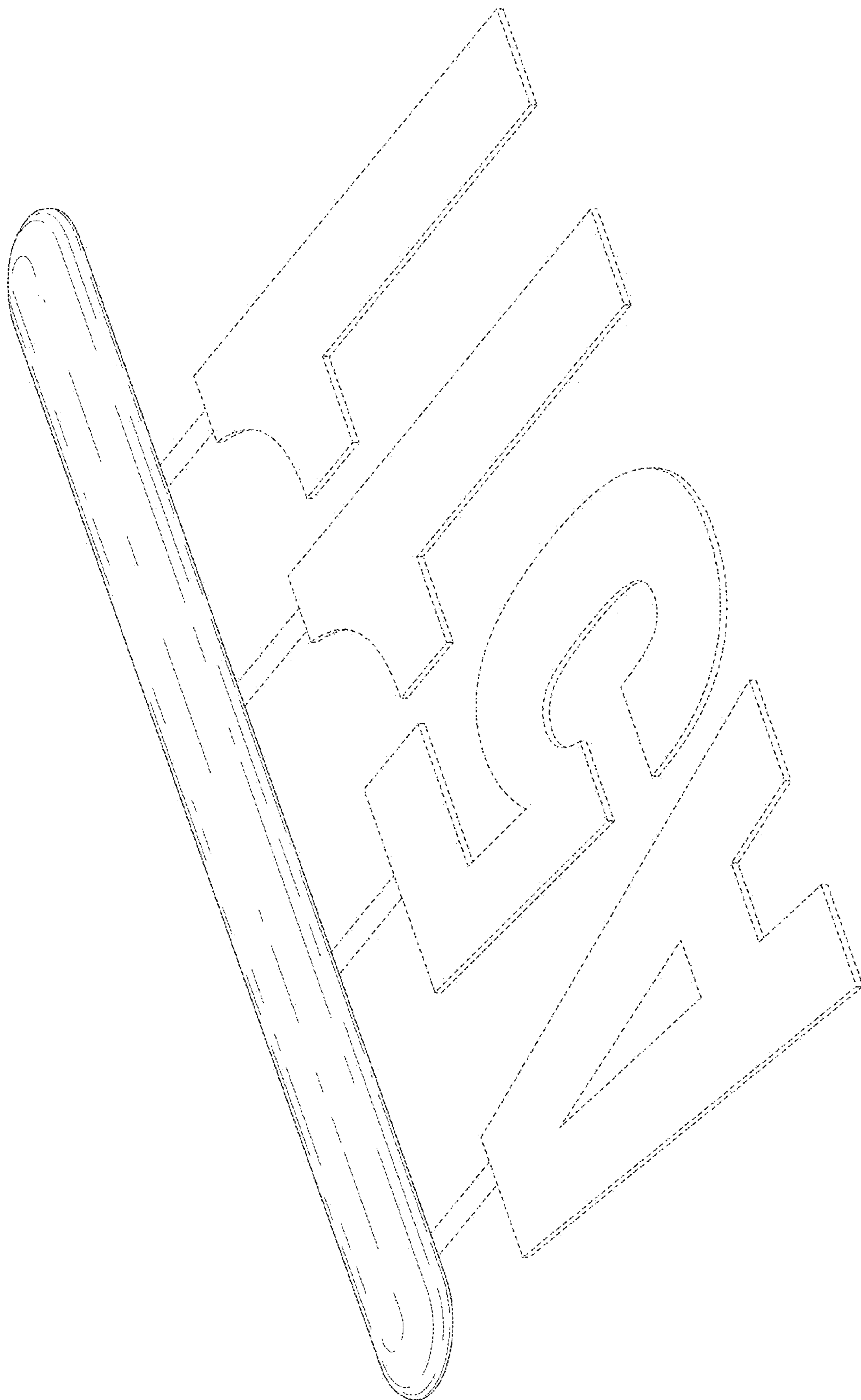


Fig. 9

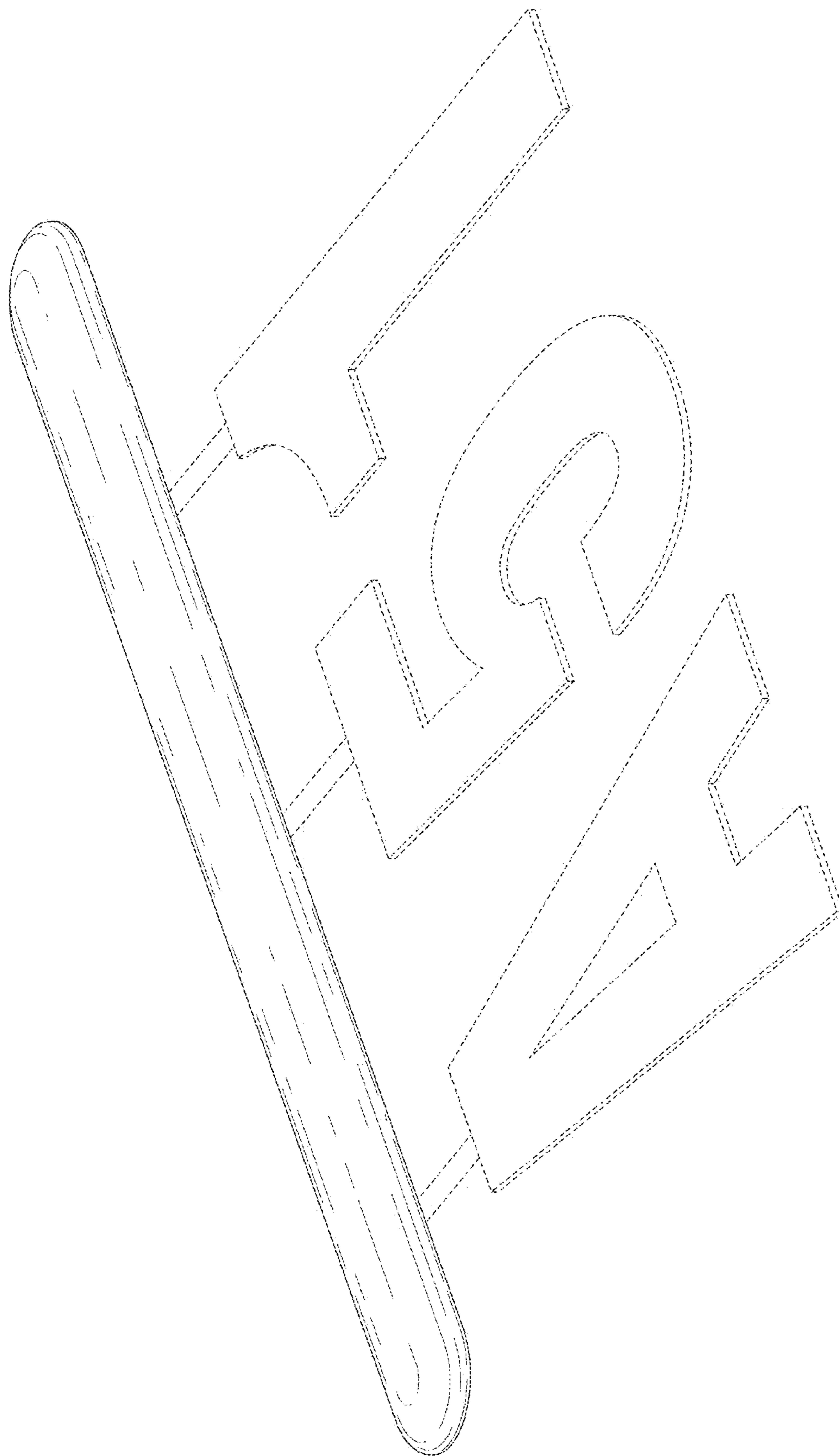


Fig. 10

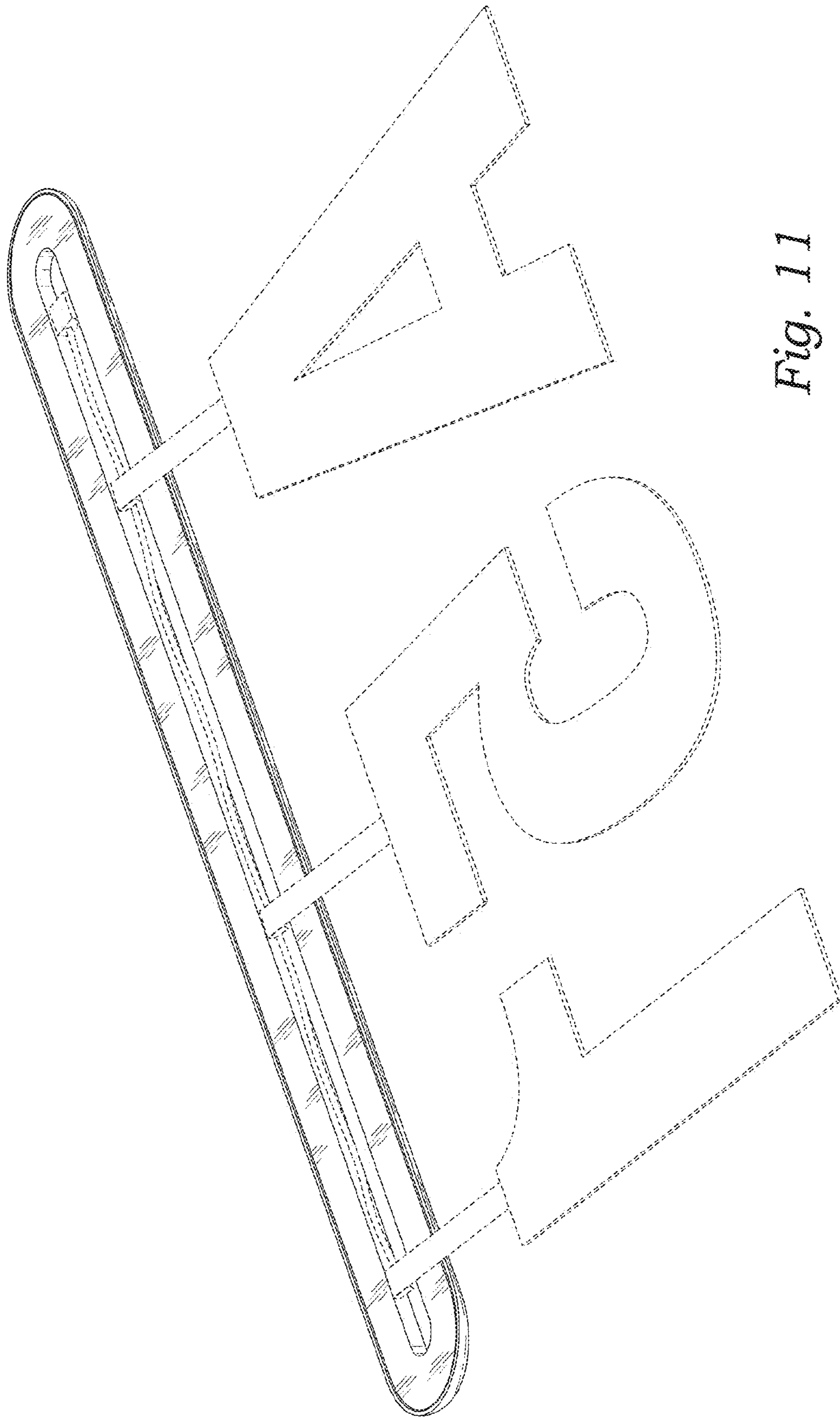


Fig. 11

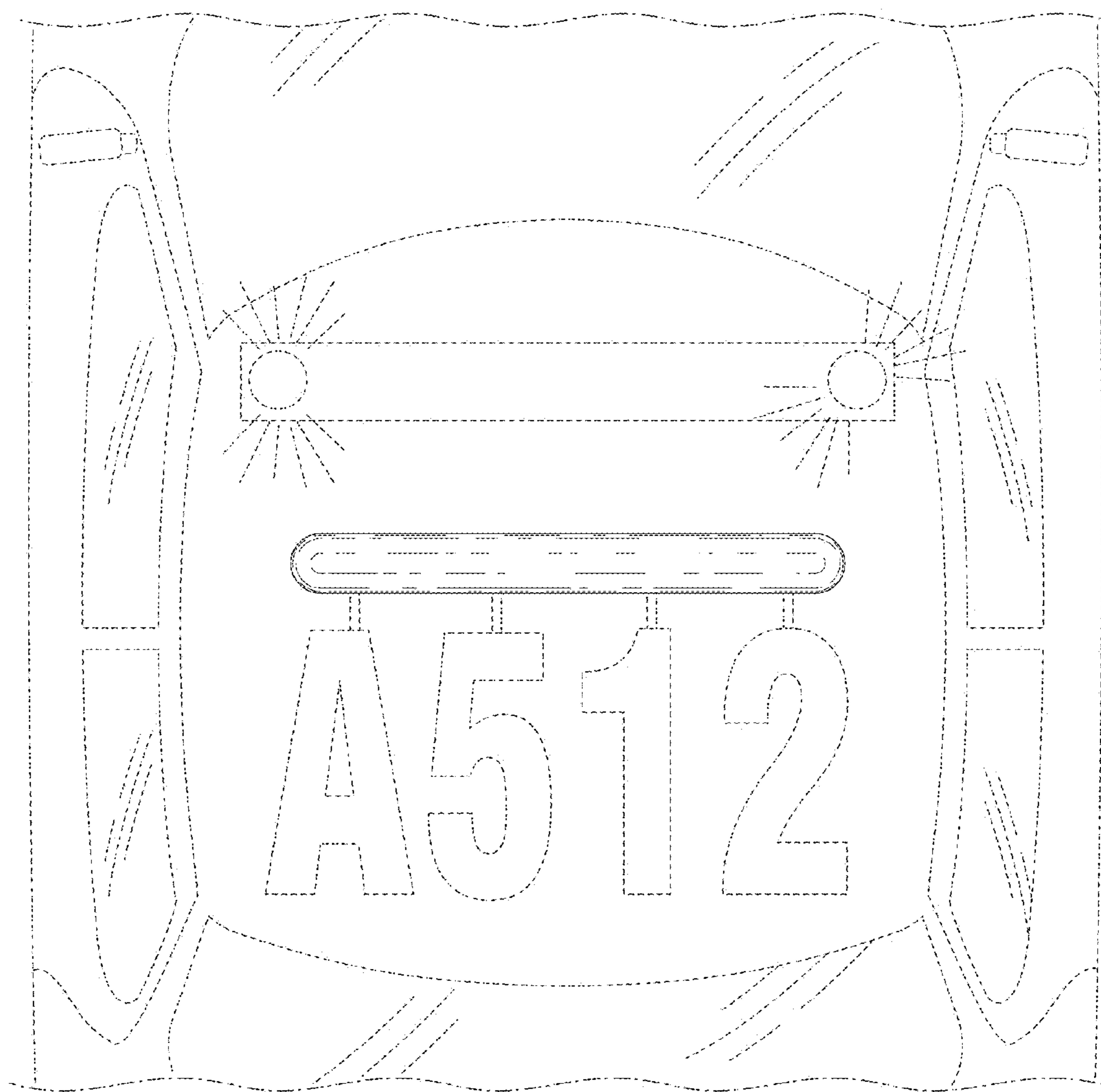


Fig. 12