



US00D756027S

(12) **United States Design Patent**
Hamasaki

(10) **Patent No.:** **US D756,027 S**

(45) **Date of Patent:** **** May 10, 2016**

(54) **LIGHT FOR CYCLING**

(71) Applicant: **SSB Design, Inc.**, Santa Ana, CA (US)

(72) Inventor: **Noriaki Hamasaki**, Lake Forest, CA (US)

(73) Assignee: **SSB DESIGN, INC.**, Santa Ana, CA (US)

(**) Term: **14 Years**

(21) Appl. No.: **29/497,374**

(22) Filed: **Jul. 23, 2014**

(51) **LOC (10) Cl.** **26-99**

(52) **U.S. Cl.**
USPC **D26/138**

(58) **Field of Classification Search**
USPC D26/2, 72, 89, 113, 118, 119, 120, 122, D26/124, 128, 138, 142, 143, 145; D13/180
CPC F41C 27/00; F41C 33/0254; G02B 5/045; G02B 5/189; F21S 8/00; F21S 8/03; F21S 8/026; F21S 8/02; F21S 8/003; F21S 8/043; F21S 8/06; F21S 8/04; F21V 7/005; F21V 15/01; F21V 15/04; F21V 25/00; G02F 2001/133607; F21Y 2103/00

See application file for complete search history.

(56) **References Cited**

U.S. PATENT DOCUMENTS

D67,927 S *	8/1925	Kent	D26/36
D217,096 S *	4/1970	Birns	D26/63
D441,107 S *	4/2001	Okuda	D26/28
D441,471 S *	5/2001	Nagano	D26/28
D457,673 S *	5/2002	Martinson	D26/63
D463,595 S *	9/2002	Cheong	D26/49
D466,637 S *	12/2002	Gisser	D26/45
D481,823 S *	11/2003	McClow	D26/113
D484,996 S *	1/2004	Krieger	D26/37
D490,172 S *	5/2004	Yamamoto	D26/28
D494,694 S *	8/2004	Krieger	D26/37

D504,533 S *	4/2005	Hussaini	D26/45
D504,967 S *	5/2005	Kung	D26/39
D504,969 S *	5/2005	Hussaini	D26/45
D507,064 S *	7/2005	Osiecki	D26/37
D508,575 S *	8/2005	Buschmann	D26/2
D517,710 S *	3/2006	Krieger	D26/37
D518,214 S *	3/2006	Krieger	D26/45
D529,639 S *	10/2006	Okuda	D26/28

(Continued)

OTHER PUBLICATIONS

Led Bike Light, image post date May 15, 2014, site visited Nov. 5, 2015, (online), <<https://www tineye.com/search/f6208cd913fb849975bdc7c06c5441383b095472/>>.*

(Continued)

Primary Examiner — Kevin Rudzinski
Assistant Examiner — Sean D Lough

(57) **CLAIM**

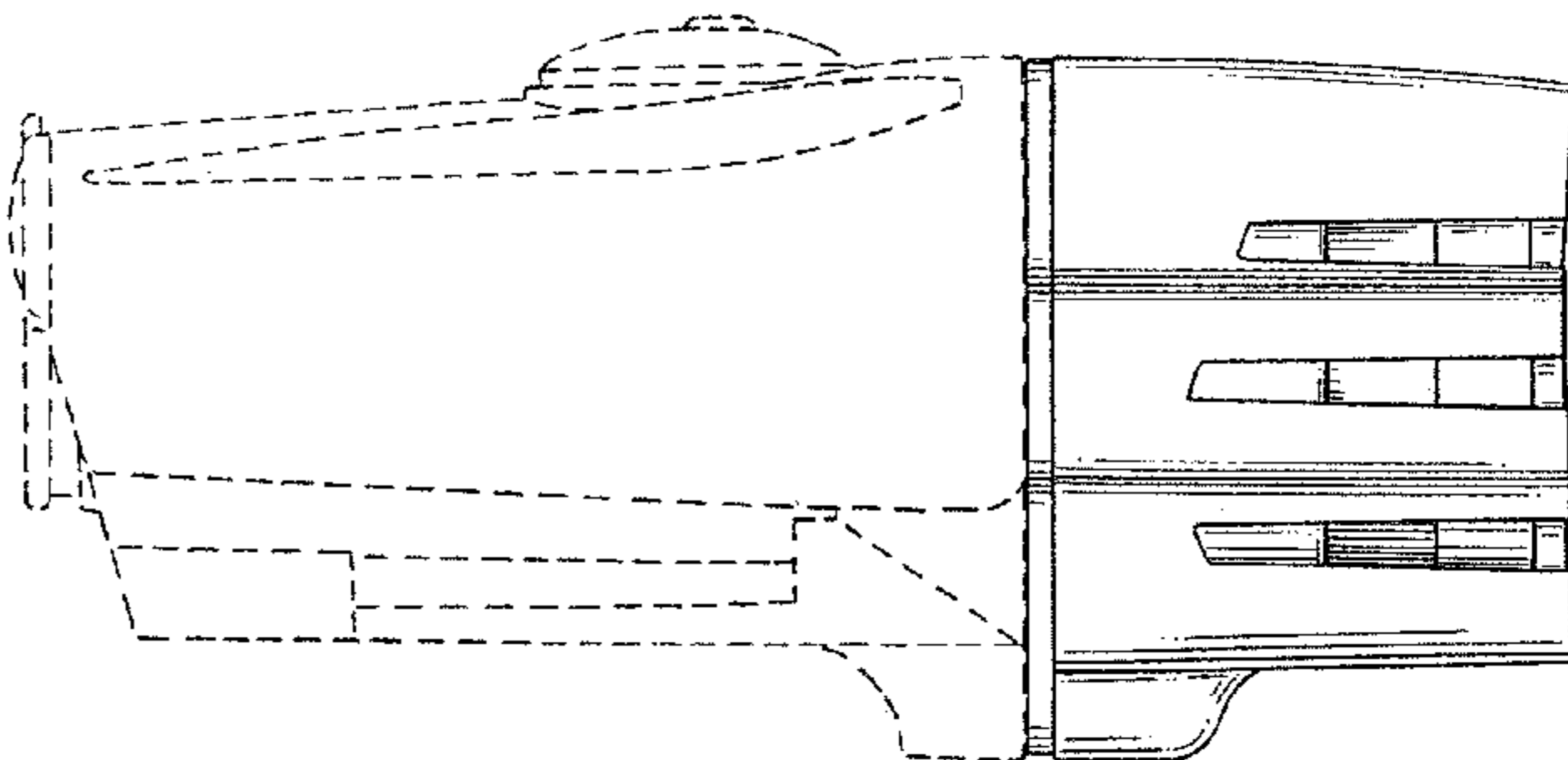
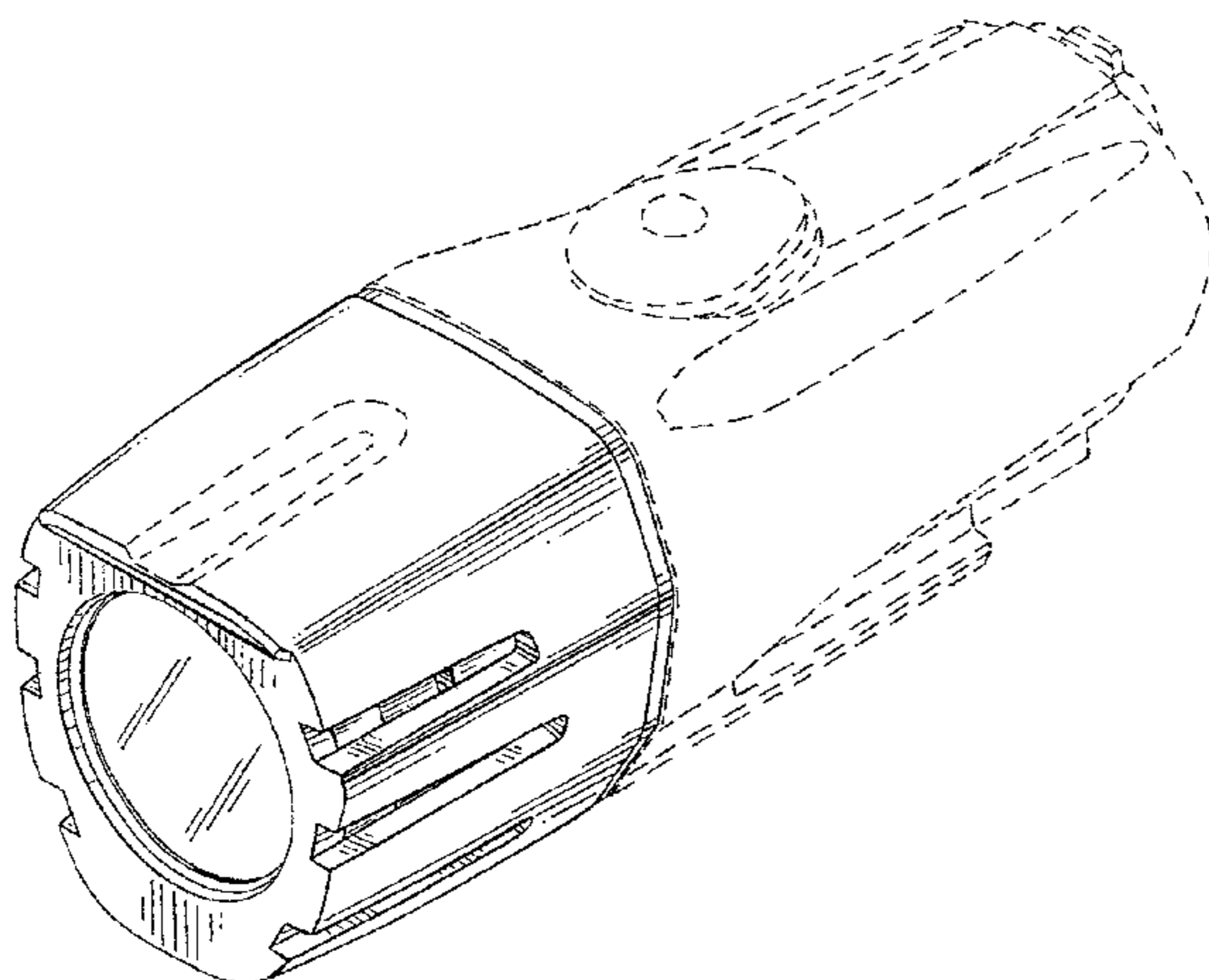
I claim an ornamental design for the light for cycling, as shown and described.

DESCRIPTION

FIG. 1 is a perspective view of the light for cycling of the present invention;
FIG. 2 is a front elevational view of the light for cycling of the present invention;
FIG. 3 represents a plan view of the light for cycling of the present invention;
FIG. 4 represents a bottom view of the light for cycling of the present invention; and,
FIG. 5 represents a right side view of the light for cycling wherein the left side view is a mirror image of the right side view.

The broken-line disclosure in the views are understood to represent portions of the article in which the claimed design may be embodied, but which forms no part of the claimed design.

1 Claim, 5 Drawing Sheets



(56)

References Cited

U.S. PATENT DOCUMENTS

- | | | | |
|-------------------|---------|---------------|------------------------|
| D534,288 S * | 12/2006 | Krieger | D26/38 |
| D540,481 S * | 4/2007 | Okuda | D26/28 |
| D540,966 S * | 4/2007 | Ueda | D26/28 |
| D540,968 S * | 4/2007 | Lee | D26/37 |
| D546,988 S * | 7/2007 | Shiu | D26/37 |
| D559,417 S * | 1/2008 | Krieger | D26/37 |
| D560,834 S * | 1/2008 | Nagano | D26/28 |
| D561,920 S * | 2/2008 | Ueda | D26/28 |
| D567,420 S * | 4/2008 | Ho | D26/49 |
| D570,009 S * | 5/2008 | Kani | D26/28 |
| D571,949 S * | 6/2008 | Wedding | D26/120 |
| D577,453 S * | 9/2008 | Metlen | D26/63 |
| D582,086 S * | 12/2008 | Li | D26/45 |
| D588,722 S * | 3/2009 | Cheng | D26/28 |
| D589,636 S * | 3/2009 | Pinette | D26/63 |
| D591,587 S * | 5/2009 | Mason | D8/354 |
| D599,040 S * | 8/2009 | Alexander | D26/1 |
| D599,950 S * | 9/2009 | Sabernig | D26/136 |
| D605,339 S * | 12/2009 | Quadri | D26/118 |
| D608,483 S * | 1/2010 | Lee | D26/60 |
| D609,378 S * | 2/2010 | Lee | D26/60 |
| D612,532 S * | 3/2010 | Toft | D26/138 |
| D617,935 S * | 6/2010 | Miletich | D26/76 |
| D628,323 S * | 11/2010 | Matthews | D22/108 |
| D628,341 S * | 11/2010 | Redfern | D26/138 |
| D628,728 S * | 12/2010 | Risch | D26/49 |
| D629,538 S * | 12/2010 | Nagano | D26/28 |
| 7,866,850 B2 * | 1/2011 | Alexander | F21V 19/001
362/147 |
| D634,470 S * | 3/2011 | Hsieh | D26/118 |
| D638,573 S * | 5/2011 | Toft | D26/138 |
| D640,397 S * | 6/2011 | Molina | D26/38 |
| D641,511 S * | 7/2011 | Wang | D26/46 |
| D648,056 S * | 11/2011 | Muehlhaeusler | D26/63 |
| D652,983 S * | 1/2012 | Quadri | D26/118 |
| D655,327 S * | 3/2012 | Nojima | D16/136 |
| D657,090 S * | 4/2012 | Kaule | D26/138 |
| 8,152,340 B1 * | 4/2012 | Nguyen | F21V 5/04
362/362 |
| D659,893 S * | 5/2012 | Ding | D26/113 |
| D663,453 S * | 7/2012 | Nagano | D26/28 |
| D665,527 S * | 8/2012 | Harger | D26/136 |
| D667,152 S * | 9/2012 | Hamasaki | D26/28 |
| D667,581 S * | 9/2012 | Lee | D26/28 |
| D669,210 S * | 10/2012 | Guercio | D26/136 |
| D670,838 S * | 11/2012 | Ueda | D26/28 |
| D676,190 S * | 2/2013 | Guercio | D26/128 |
| D678,562 S * | 3/2013 | Chan | D26/28 |
| D679,038 S * | 3/2013 | Hamasaki | D26/28 |
| D679,040 S * | 3/2013 | Cen | D26/28 |
| D679,856 S * | 4/2013 | Guercio | D26/118 |
| D687,990 S * | 8/2013 | Yeh | D26/46 |
| D688,826 S * | 8/2013 | Fang | D26/74 |
| D690,448 S * | 9/2013 | Yeh | D26/46 |
| D696,334 S * | 12/2013 | Li | D16/237 |
| D696,452 S * | 12/2013 | Gordin | D26/118 |
| D699,887 S * | 2/2014 | Chen | D26/118 |
| 8,651,714 B1 * | 2/2014 | Hamasaki | B62J 6/02
362/473 |
| D701,640 S * | 3/2014 | Wiegel | D26/140 |
| D705,981 S * | 5/2014 | Cegnar | D26/128 |
| D709,222 S * | 7/2014 | Poon | D26/28 |
| D709,225 S * | 7/2014 | Ueda | D26/28 |
| D712,877 S * | 9/2014 | Ko | D14/211 |
| D713,078 S * | 9/2014 | Shen | D26/41 |
| 8,827,508 B2 * | 9/2014 | Sagal | B29C 45/14
362/373 |
| D715,980 S * | 10/2014 | Ueda | D26/28 |
| 8,905,572 B2 * | 12/2014 | Mueckl | F21V 15/01
362/183 |
| 8,974,098 B2 * | 3/2015 | McCaslin | B62J 6/003
362/184 |
| D733,342 S * | 6/2015 | Lee | D26/28 |
| 9,068,719 B2 * | 6/2015 | Van De Ven | F21V 29/74 |
| D733,948 S * | 7/2015 | Liao | D26/28 |
| D735,381 S * | 7/2015 | Lee | D26/28 |
| D737,497 S * | 8/2015 | Burgess | D26/113 |
| D738,951 S * | 9/2015 | Coyle | D16/237 |
| D740,997 S * | 10/2015 | Chang | D26/118 |
| D741,993 S * | 10/2015 | Tominaga | D24/108 |
| D742,059 S * | 10/2015 | Gettings | D26/120 |
| 2007/0159819 A1 * | 7/2007 | Bayat | F21L 4/02
362/236 |
| 2008/0266883 A1 * | 10/2008 | Chen | F21V 21/04
362/365 |
| 2010/0246172 A1 * | 9/2010 | Liu | F21S 8/026
362/235 |
| 2012/0014105 A1 * | 1/2012 | Jigamian | F21V 15/04
362/267 |

OTHER PUBLICATIONS

- Fenix BC20 LED Bike Light, image post date Jan. 15, 2015, site visited Nov. 5, 2015, (online), <<http://www.fenix-store.com/fenix-bc20-led-bike-light-limited-run/>>.*
- Cygolite Metro 500 Lumen USB Rechargeable Bicycle Headlight, image post date 2013, site visited Feb. 14, 2015, (online), <<http://toolsandtoys.net/favorite-things-2013-edition/>>.*
- Cygolite Streak 310, image post date 2015, site visited Feb. 18, 2015, (online), <<https://www.bikelightdatabase.com/cygolite/streak310/>>.*

* cited by examiner

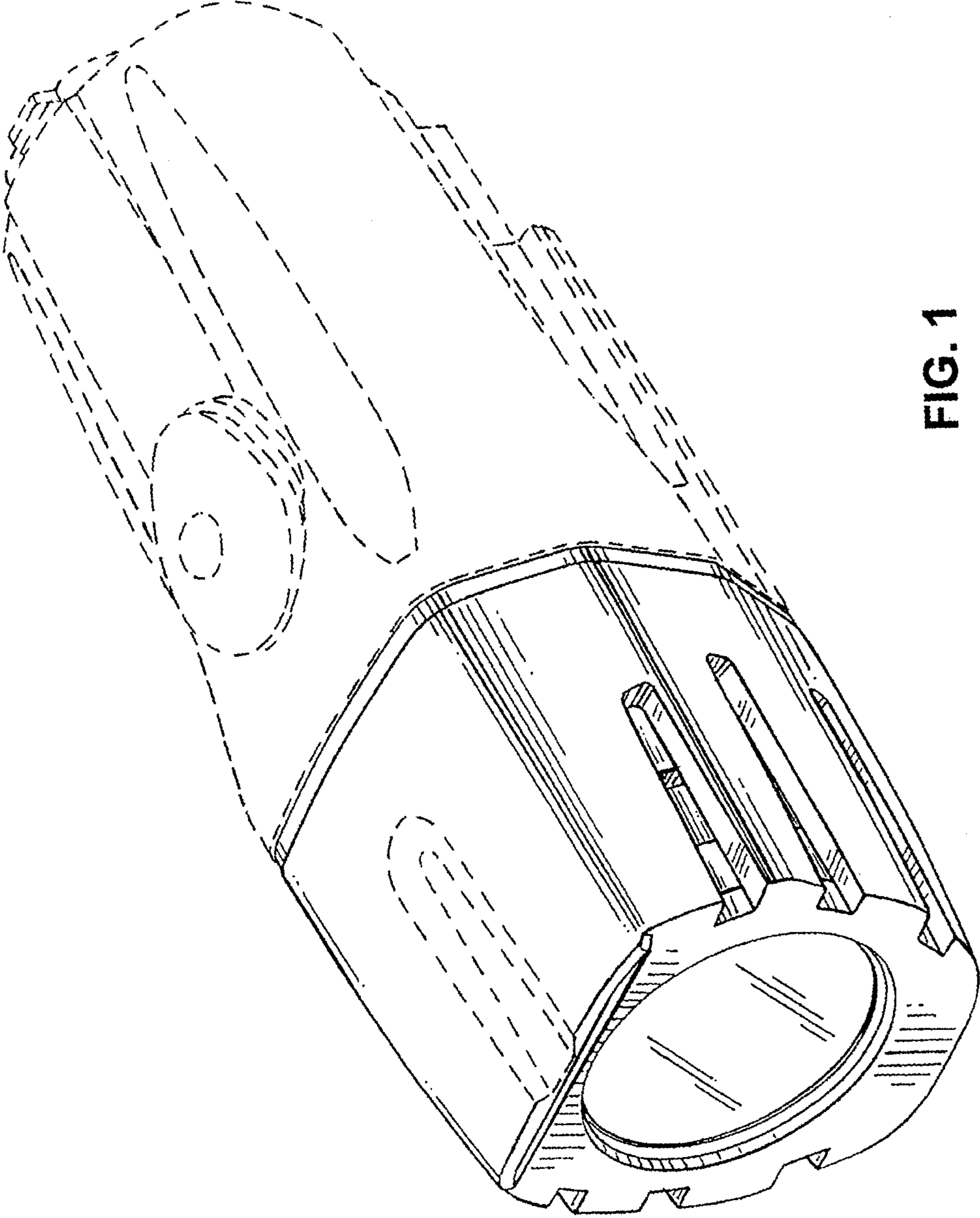


FIG. 1

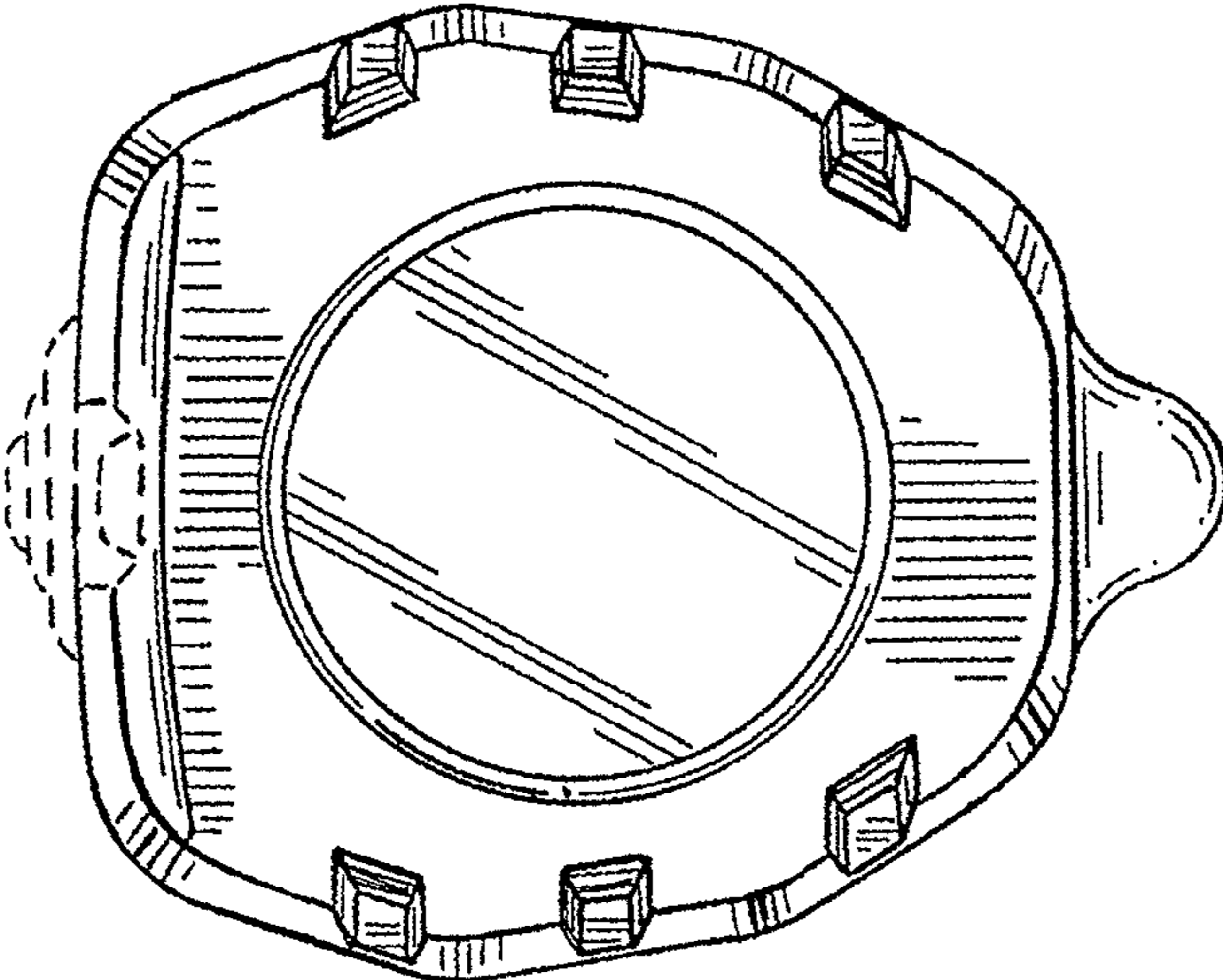


FIG. 2

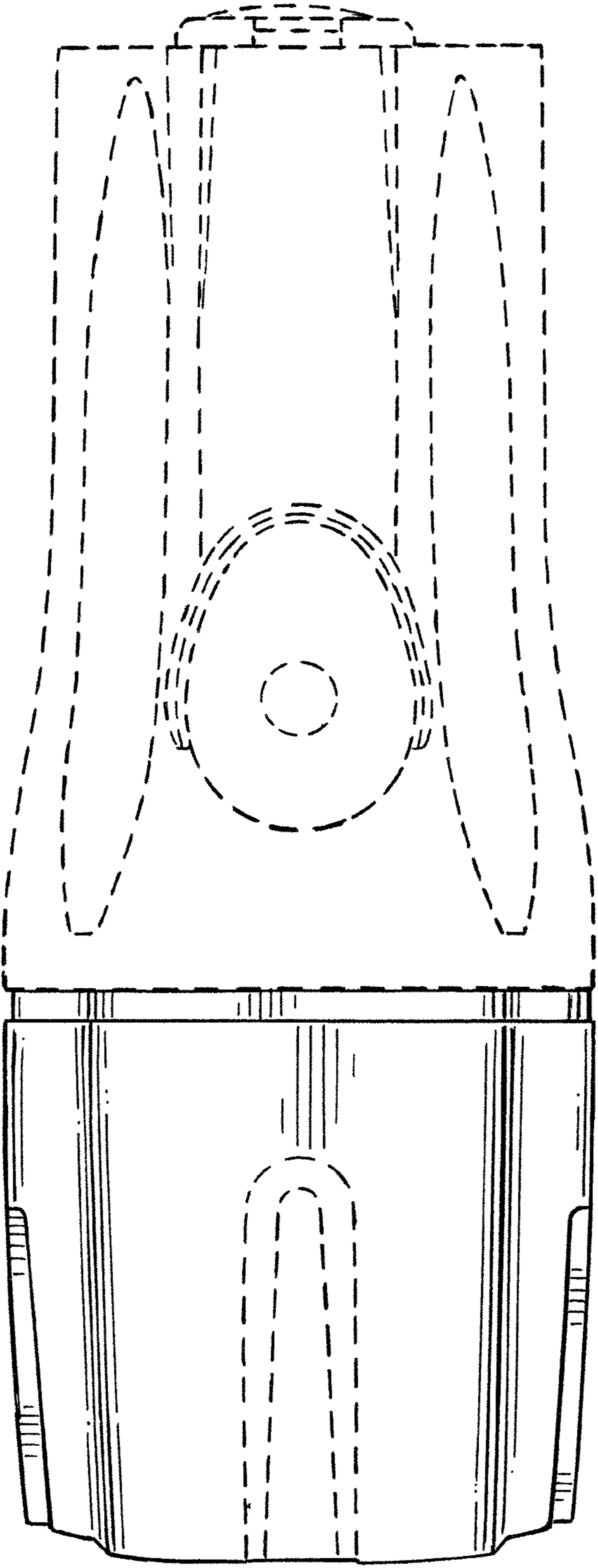


FIG. 3

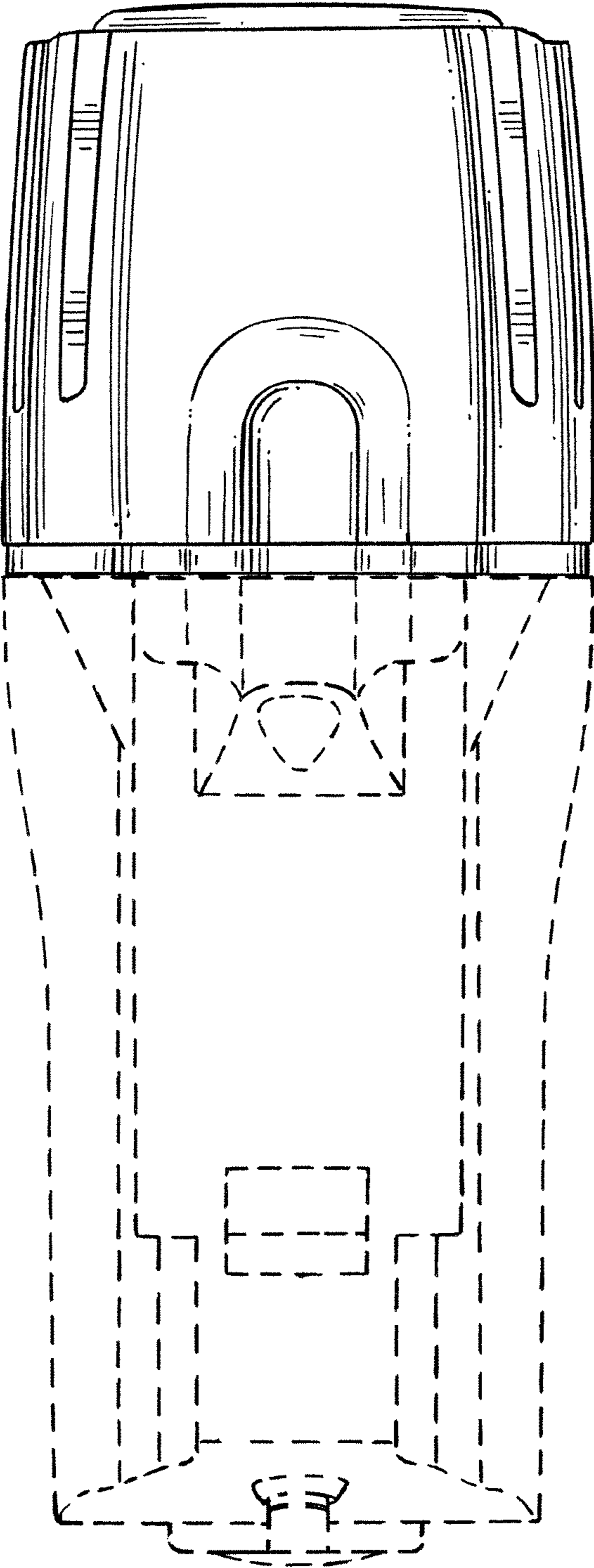


FIG. 4

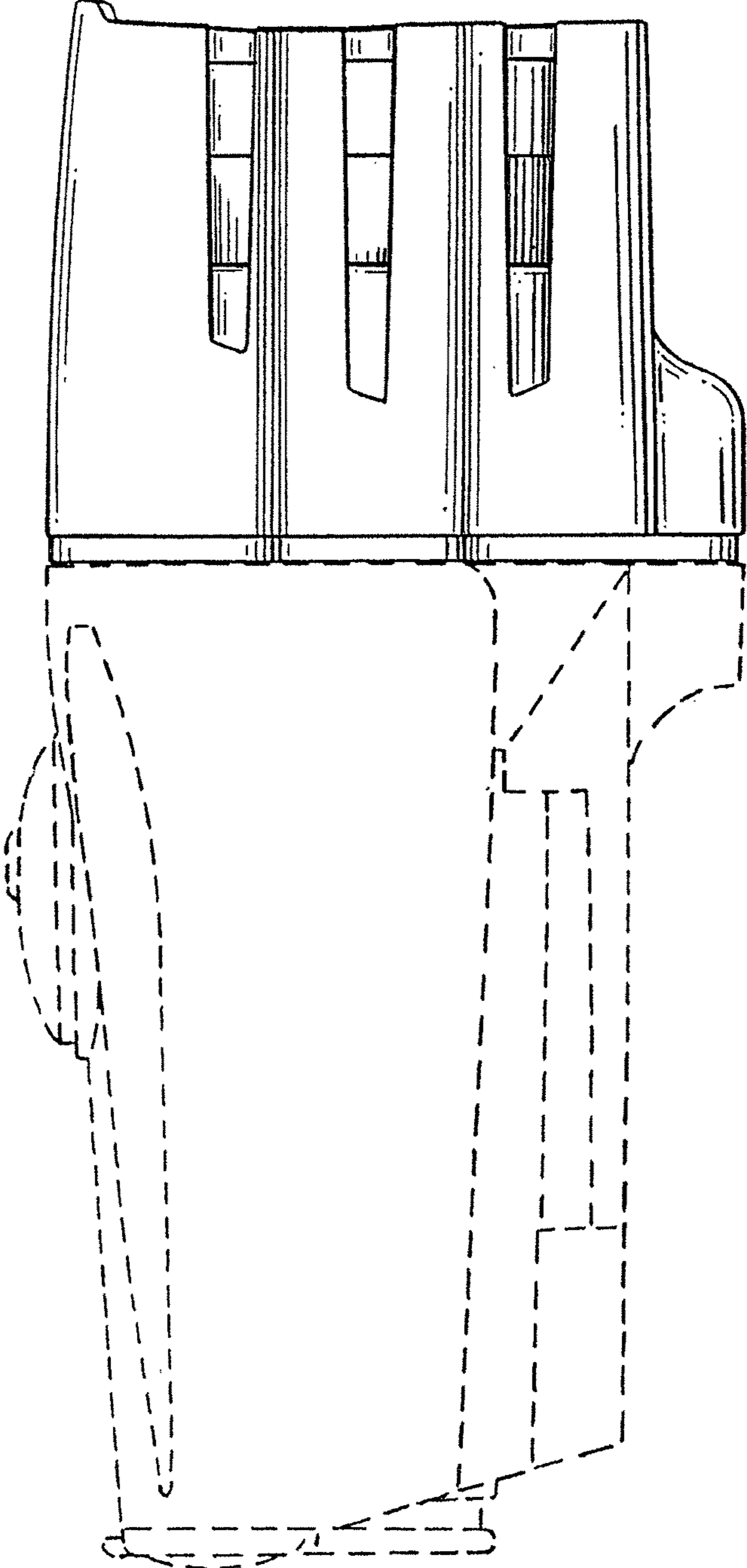


FIG. 5