



US00D756025S

(12) **United States Design Patent**  
**Wronski et al.**

(10) **Patent No.:** **US D756,025 S**  
(45) **Date of Patent:** **\*\* May 10, 2016**

(54) **RECESSED LUMINAIRE HOUSING TOP**

(71) Applicant: **Cooper Technologies Company,**  
Houston, TX (US)

(72) Inventors: **Grzegorz Wronski,** Peachtree City, GA  
(US); **Steven Pysnos,** Peachtree City,  
GA (US)

(73) Assignee: **Cooper Technologies Company,**  
Houston, TX (US)

(\*\*) Term: **14 Years**

(21) Appl. No.: **29/506,810**

(22) Filed: **Oct. 21, 2014**

**Related U.S. Application Data**

(63) Continuation of application No. 29/486,679, filed on  
Apr. 1, 2014, now Pat. No. Des. 718,489.

(51) **LOC (10) Cl.** ..... **26-99**

(52) **U.S. Cl.**  
USPC ..... **D26/118**

(58) **Field of Classification Search**  
USPC ..... D26/2, 28, 72, 89, 113, 118, 119, 120,  
D26/122, 124, 128, 138, 142, 143, 145, 60,  
D26/104; D13/180, 179  
CPC ..... F41C 27/00; F41C 33/0254; G02B 5/045;  
G02B 5/189; F21S 8/00; F21S 8/03; F21S  
8/026; F21S 8/02; F21S 8/003; F21S 8/043;  
F21S 8/06; F21S 8/04; F21V 7/005; F21V  
15/01; F21V 15/04; F21V 25/00; F21V 3/02;  
F21V 1/00; G02F 2001/133607; F21Y  
2103/00

See application file for complete search history.

(56) **References Cited**

**U.S. PATENT DOCUMENTS**

1,127,527 A \* 2/1915 Sohoen ..... F21S 8/06  
362/235  
1,501,524 A \* 7/1924 Cousins ..... F21V 21/16  
362/311.09

D168,738 S \* 2/1953 Friedman ..... D23/334  
D188,916 S \* 9/1960 Harling ..... D26/71  
3,313,931 A \* 4/1967 Klugman ..... F21V 21/04  
362/364  
3,316,399 A \* 4/1967 Totten ..... F21V 21/04  
362/364  
D207,867 S \* 6/1967 Petteengill ..... D26/70

(Continued)

**OTHER PUBLICATIONS**

Halo H7RICT, 6 inch Housing IC Remodel Housing 120V Line  
Voltage, image post date Nov. 24, 2010, site visited Nov. 27, 2015,  
(online), <[http://www.amazon.com/gp/product/B0009J8RMA/ref=pd\\_lpo\\_sbs\\_dp\\_ss\\_3?pf\\_rd\\_p=1944687442&pf\\_rd\\_s=lpo-top-stripe-1&pf\\_rd\\_t=201&pf\\_rd\\_i=B008YRMLKFE&pf\\_rd\\_m=ATVPDKIKXODER&pf\\_rd\\_r=ORAFND9FKSMDYGERRT9D](http://www.amazon.com/gp/product/B0009J8RMA/ref=pd_lpo_sbs_dp_ss_3?pf_rd_p=1944687442&pf_rd_s=lpo-top-stripe-1&pf_rd_t=201&pf_rd_i=B008YRMLKFE&pf_rd_m=ATVPDKIKXODER&pf_rd_r=ORAFND9FKSMDYGERRT9D)>.\*

(Continued)

*Primary Examiner* — Kevin Rudzinski

*Assistant Examiner* — Sean D Lough

(74) *Attorney, Agent, or Firm* — King & Spalding LLP

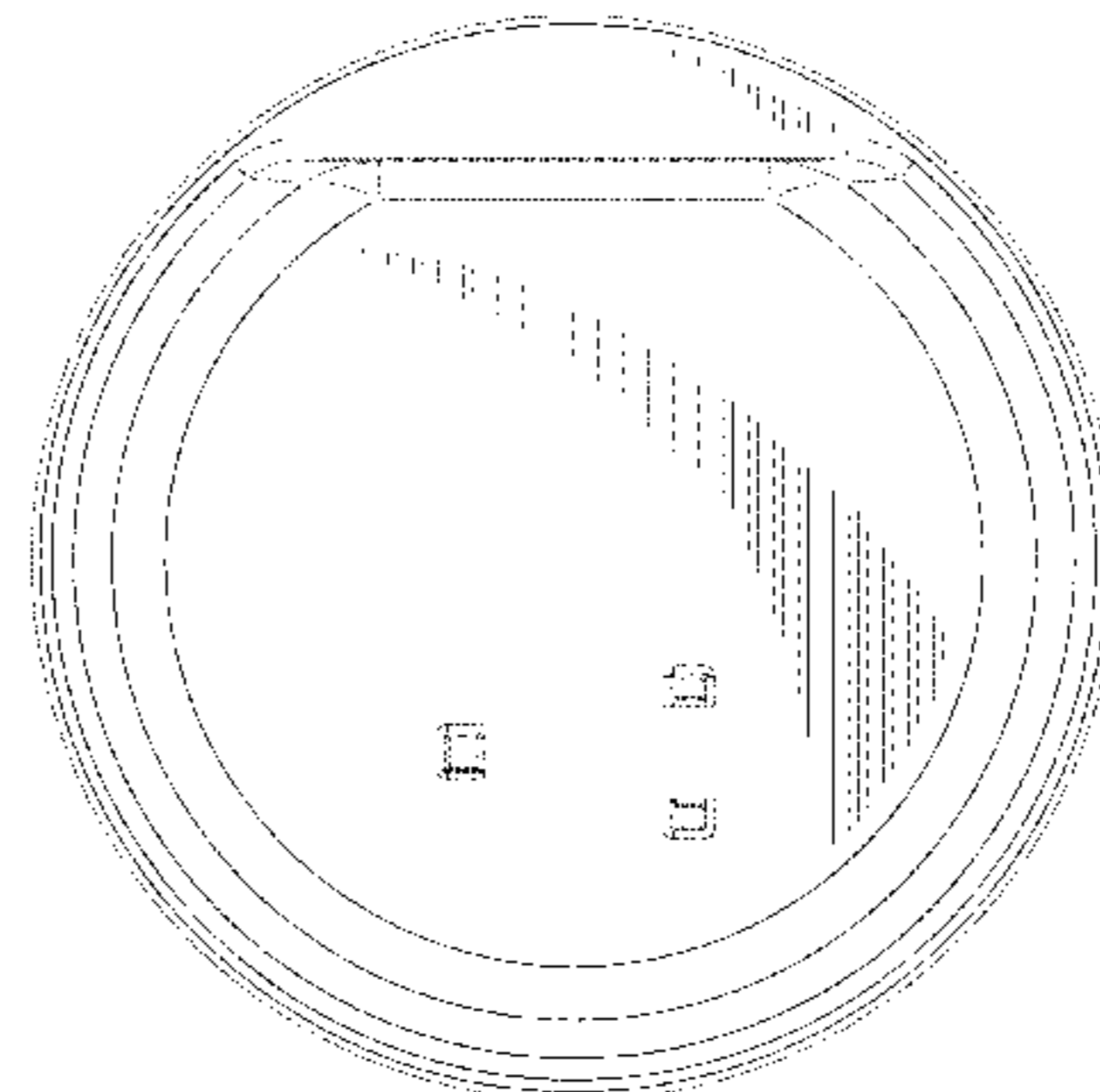
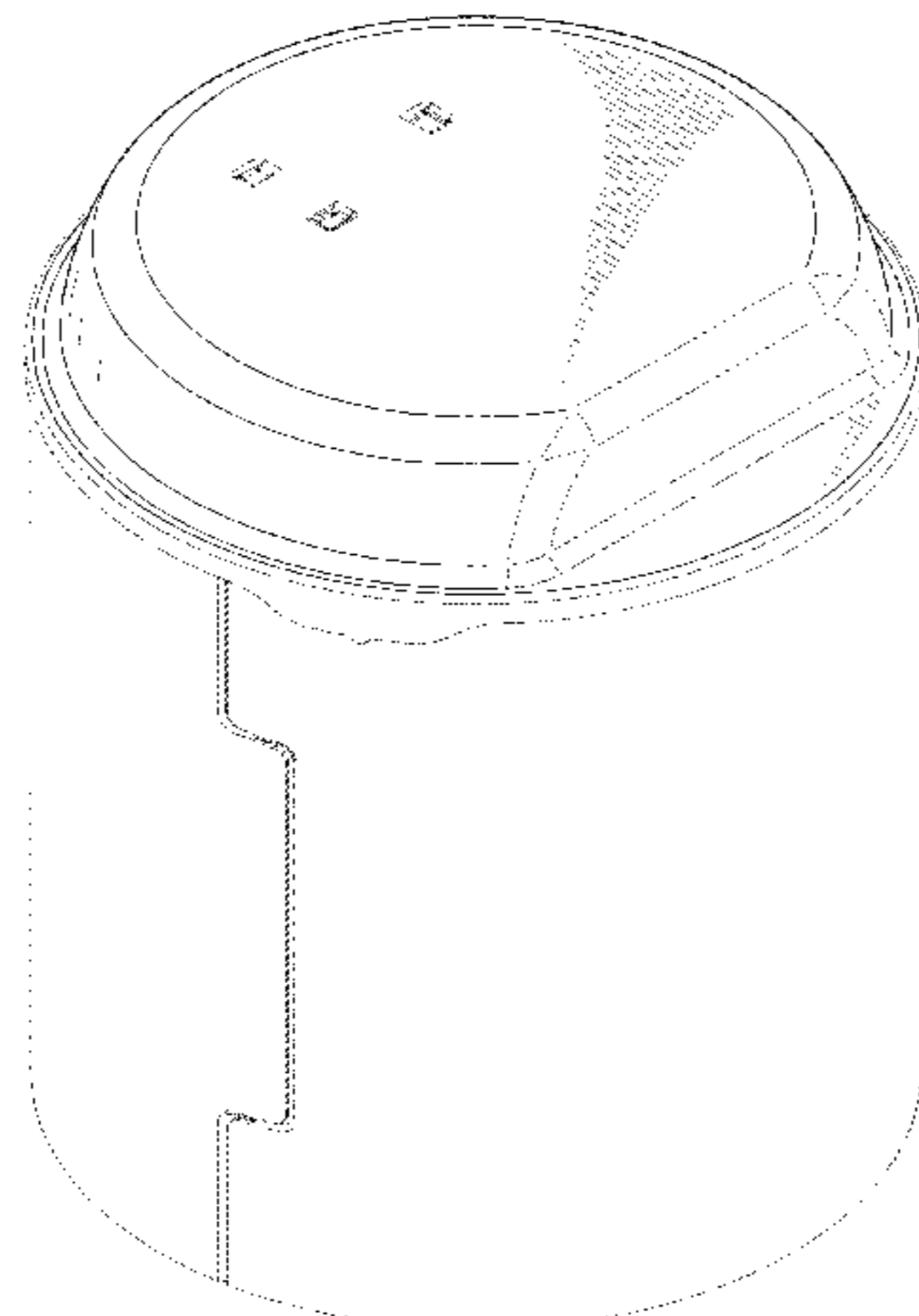
(57) **CLAIM**

The ornamental design for a recessed luminaire housing top,  
as shown and described.

**DESCRIPTION**

FIG. 1 is a top perspective view of a recessed luminaire  
housing top, showing our new design;  
FIG. 2 is a bottom perspective view thereof;  
FIG. 3 is a top plan view thereof;  
FIG. 4 is a bottom plan view thereof;  
FIG. 5 is a left side elevation view thereof;  
FIG. 6 is a right side elevation view thereof;  
FIG. 7 is a front side elevation view thereof; and,  
FIG. 8 is a rear side elevation view thereof.  
The broken lines that illustrate portions of the recessed lumi-  
naire housing form no part of the claimed design.

**1 Claim, 8 Drawing Sheets**



(56)

## References Cited

## U.S. PATENT DOCUMENTS

- 3,872,296 A \* 3/1975 Cohen ..... F21V 17/164  
248/343
- 4,293,895 A \* 10/1981 Kristofek ..... F21V 21/04  
248/27.1
- 5,077,650 A \* 12/1991 Cestari ..... F21V 21/04  
362/147
- 5,377,088 A \* 12/1994 Lecluze ..... F21V 21/04  
248/343
- 5,562,343 A 10/1996 Chan et al.
- 5,673,997 A \* 10/1997 Akiyama ..... F21V 21/04  
362/147
- 5,690,423 A \* 11/1997 Hentz ..... F21S 8/02  
248/302
- 5,738,436 A \* 4/1998 Cummings ..... F21S 8/026  
362/148
- 5,826,970 A \* 10/1998 Keller ..... F21S 8/02  
362/147
- 5,957,573 A 9/1999 Wedekind et al.
- D425,024 S \* 5/2000 Klaus ..... D13/134
- 6,152,571 A \* 11/2000 Ruiz ..... F21V 21/30  
362/101
- D444,900 S 7/2001 Stanway et al.
- 6,293,510 B1 9/2001 Bradford et al.
- D448,880 S 10/2001 Benghozi
- 6,431,723 B1 8/2002 Schubert et al.
- D465,046 S \* 10/2002 Layne ..... D26/63
- 6,554,458 B1 4/2003 Benghozi
- 6,588,922 B1 \* 7/2003 DeCicco ..... F21V 21/04  
362/148
- 6,752,520 B2 6/2004 Vernusset et al.
- 6,827,471 B1 \* 12/2004 Benghozi ..... F21V 21/04  
362/147
- 7,118,254 B2 10/2006 Czech
- D538,461 S \* 3/2007 Broughton ..... D26/129
- 7,191,993 B2 \* 3/2007 Bobrowski ..... F21V 21/04  
248/318
- D545,988 S 7/2007 Goetz-Schaefer
- 7,331,555 B2 \* 2/2008 St-Pierre ..... F21V 21/04  
174/503
- D570,032 S \* 5/2008 Lehman ..... D26/118
- D580,085 S \* 11/2008 Svensson ..... D26/71
- 7,530,717 B2 5/2009 Magisano et al.
- 7,534,014 B1 \* 5/2009 Pelletier ..... F21S 8/02  
362/147
- D601,293 S 9/2009 MacKenzie
- D601,740 S \* 10/2009 Seo ..... D26/74
- 7,654,707 B2 \* 2/2010 Russello ..... F21V 15/005  
362/368
- 7,673,842 B2 \* 3/2010 Nevers ..... F16F 1/025  
248/200
- 7,717,390 B1 \* 5/2010 Rashidi ..... F21V 21/048  
248/343
- D618,376 S 6/2010 Redfern et al.
- 7,736,031 B1 \* 6/2010 Rashidi ..... F21S 8/02  
362/346
- 7,784,754 B2 8/2010 Nevers et al.
- D632,822 S 2/2011 Bitton
- D633,099 S 2/2011 Van de Ven et al.
- 7,967,481 B2 6/2011 Seo
- D642,317 S \* 7/2011 Rashidi ..... D26/74
- 7,993,037 B1 \* 8/2011 Buse ..... F21S 8/026  
362/362
- 8,066,412 B2 11/2011 Vann et al.
- D665,117 S \* 8/2012 Yoshida ..... D26/74
- D673,322 S 12/2012 Van de Ven et al.
- D674,534 S \* 1/2013 Harpenau ..... D26/138
- D679,049 S \* 3/2013 Hashimoto ..... D26/138
- D679,443 S \* 4/2013 Parekh ..... D26/118
- 8,444,302 B1 \* 5/2013 Barboza ..... F21S 8/02  
362/269
- 8,465,182 B1 \* 6/2013 Davis ..... F21V 21/042  
248/342
- D692,171 S \* 10/2013 Randolph ..... D26/67
- D692,173 S \* 10/2013 Rashidi ..... D26/74
- 8,545,063 B2 \* 10/2013 Dupuy ..... F21S 8/02  
362/365
- D704,875 S \* 5/2014 Johnson ..... D26/74
- 8,866,964 B2 \* 10/2014 Spielfogel ..... H04N 5/225  
348/143
- D718,489 S \* 11/2014 Wronski ..... D26/118
- 8,894,253 B2 \* 11/2014 Rowlette, Jr. .... F21K 9/00  
362/147
- D728,849 S \* 5/2015 Hamel ..... D26/128
- D729,432 S \* 5/2015 Newton ..... D26/92
- 9,062,837 B2 \* 6/2015 Wronski ..... F21S 8/02
- D737,497 S \* 8/2015 Burgess ..... D26/113
- D738,834 S \* 9/2015 Xie ..... D13/182
- D741,535 S \* 10/2015 Wright ..... D26/88
- 2005/0230589 A1 \* 10/2005 Wronski ..... F21V 21/048  
248/323
- 2005/0231954 A1 10/2005 Czech
- 2006/0087850 A1 \* 4/2006 Thompson ..... F21V 21/04  
362/362
- 2008/0068847 A1 \* 3/2008 Bedard ..... F21V 21/043  
362/365
- 2008/0186704 A1 \* 8/2008 Chou ..... F21V 29/004  
362/249.01
- 2009/0310330 A1 12/2009 Vann et al.
- 2010/0135016 A1 \* 6/2010 Ishibashi ..... F21V 7/0025  
362/235
- 2011/0074265 A1 \* 3/2011 Van De Ven ..... F21S 8/02  
313/46
- 2011/0075414 A1 3/2011 Van de Ven et al.
- 2012/0236575 A1 9/2012 Tsao
- 2012/0287644 A1 \* 11/2012 Wronski ..... F21V 7/22  
362/296.01
- 2014/0299730 A1 \* 10/2014 Green ..... F16M 13/022  
248/317
- 2014/0301087 A1 \* 10/2014 Wronski ..... F21S 8/02  
362/368
- 2014/0301092 A1 \* 10/2014 Wronski ..... F21V 17/02  
362/418

## OTHER PUBLICATIONS

- Thomas Lighting; Product specification; PS5 5" Recessed Housing; Dec. 26, 2013.
- Thomas Lighting; Product specification; PS5RM; 5" Recessed Housing; Jun. 12, 2013.
- Thomas Lighting; Product specification; PS1RM; 6" Recessed Housing; Jun. 12, 2013.
- Thomas Lighting; Product specification; PS1 6" Recessed Housing; Jun. 12, 2013.
- Juno Lighting; Product specification; 6" Deluxe Universal TC Remodel Housing; TC2R; Aug. 2009.
- Juno Lighting; Product specification; 6" Economy Universal IC Remodel Housing; IC22R; Oct. 2009.
- Philips Lightolier; Product specification; Lytening LED; Oct. 2012.
- Progress Lighting; Product specification; 5" Shallow Housing IC, Non-IC & Air-Tight; Nov. 2001.
- Progress Lighting; Product specification; 6" Housing IC, Non-IC & Air-Tight; Nov. 2013.
- Progress Lighting; Product specification; 6" Housing IC, Non-IC & Air-Tight w/Quick Connects; Nov. 2013.
- Nora Lighting; Product specification; NHRIC-504QAT; 5" IC Air-Tight Line Voltage Remodel Housing; Jan. 2, 2004.
- Nora Lighting; Product specification; NHRIC-501QAT; 5" IC Housing; Jan. 2, 2002.
- WAC Lighting; Product specification; R-602D-N-ICA; 6" Line Voltage New Construction Housing 120V-IC Rated-Airtight Ready; Apr. 2014.
- WAC Lighting; Product specification; R-603D-R-ICA; 6" Line Voltage Remodel Housing 120V-IC Rated-Airtight Ready; Apr. 2014.
- Prescolite; LiteBox-Light Commercial and Residential Downlights; Catalog; Jan. 2009.
- Lithonia Lighting; Residential Recessed Downlighting Guide; Feb. 2014.

\* cited by examiner

FIG. 1

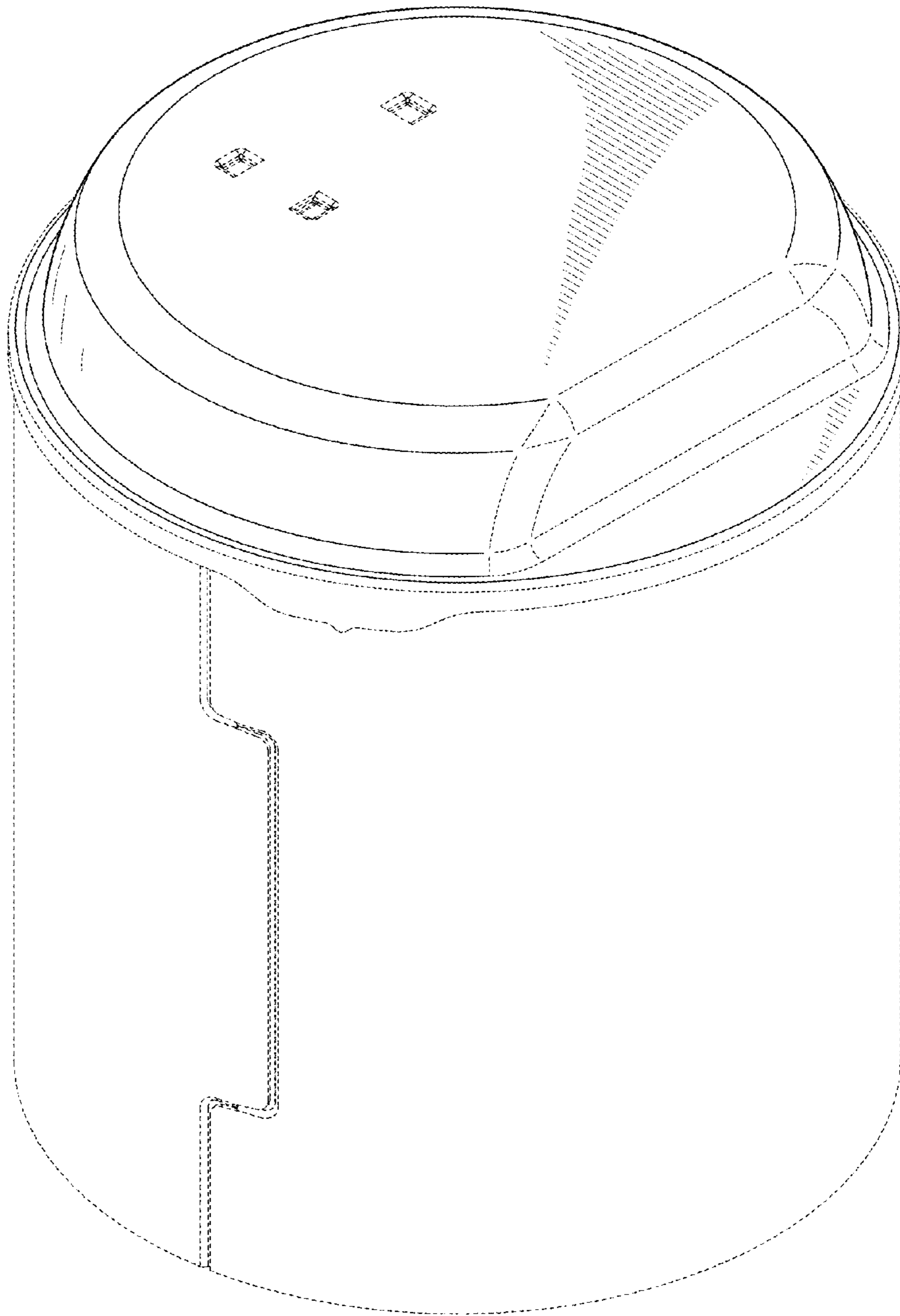


FIG. 2

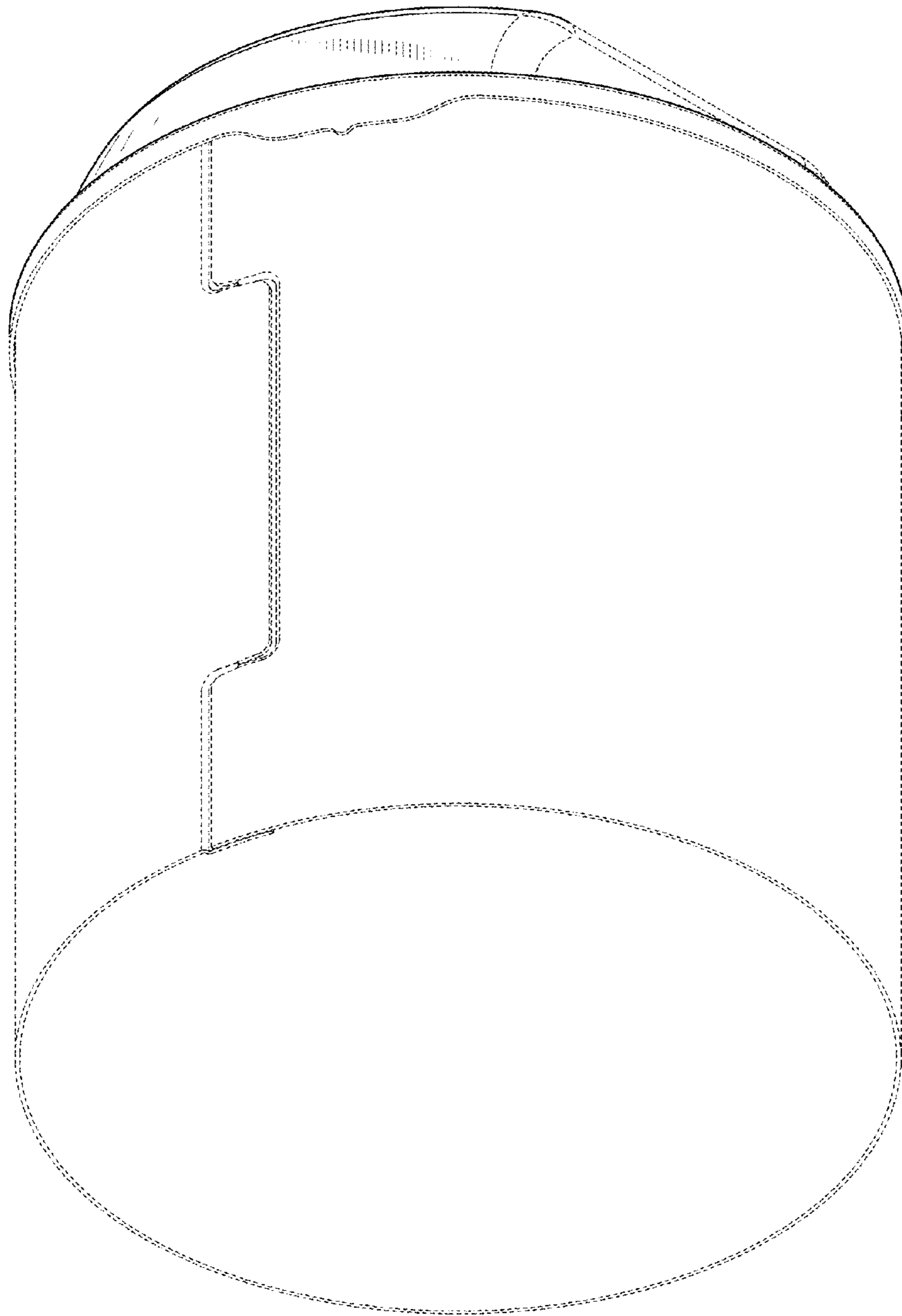


FIG. 3

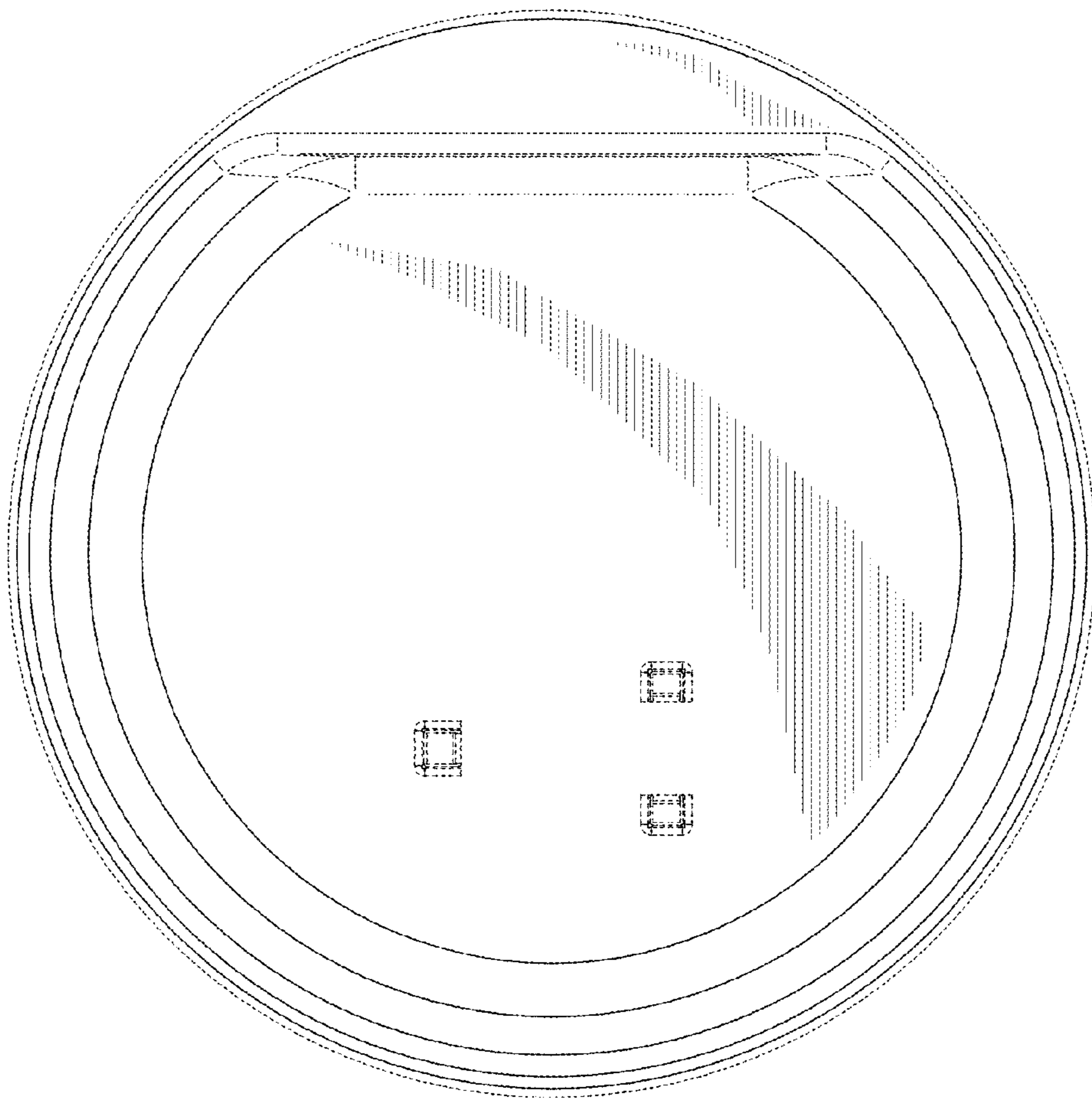


FIG. 4

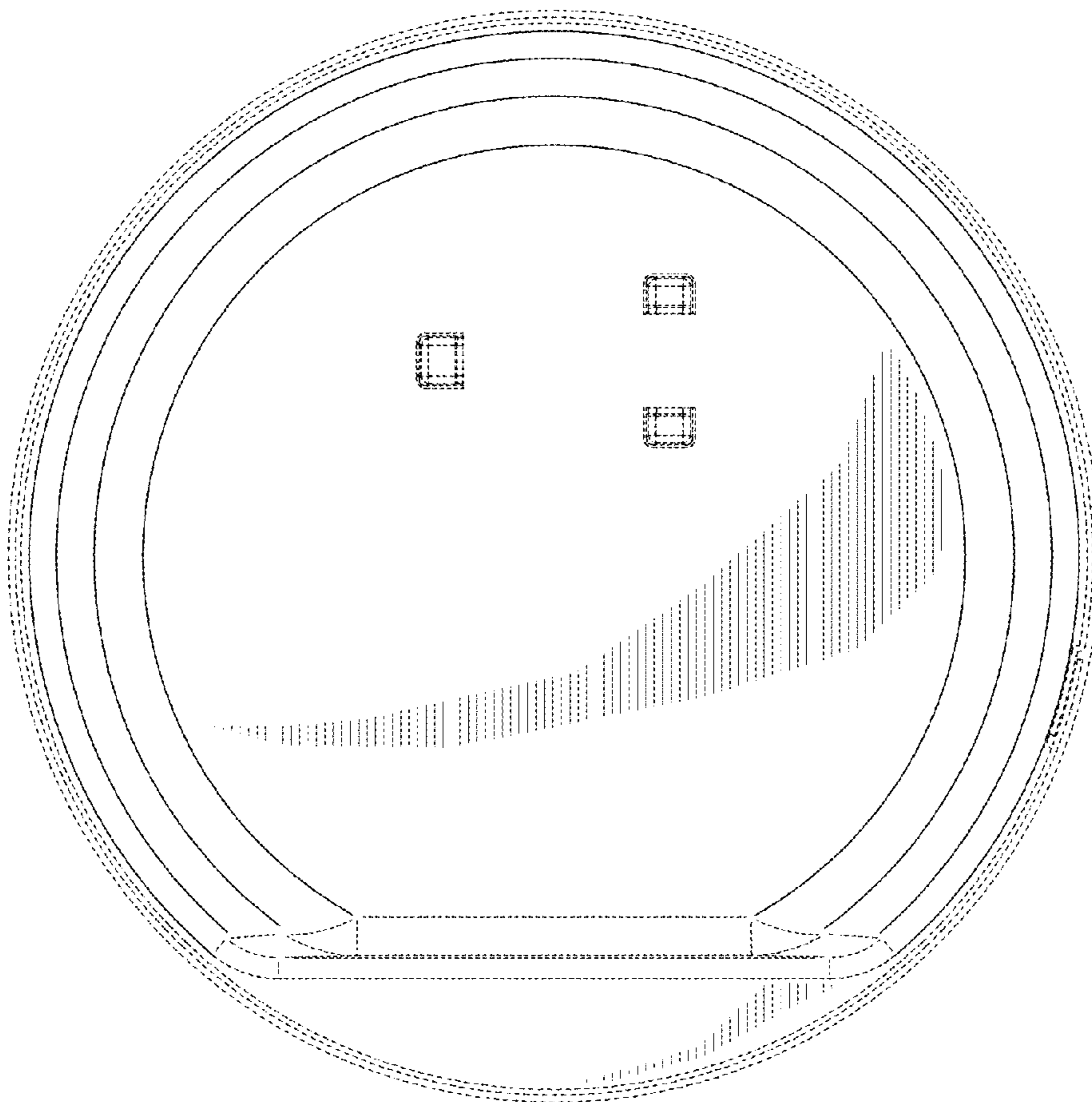


FIG. 5

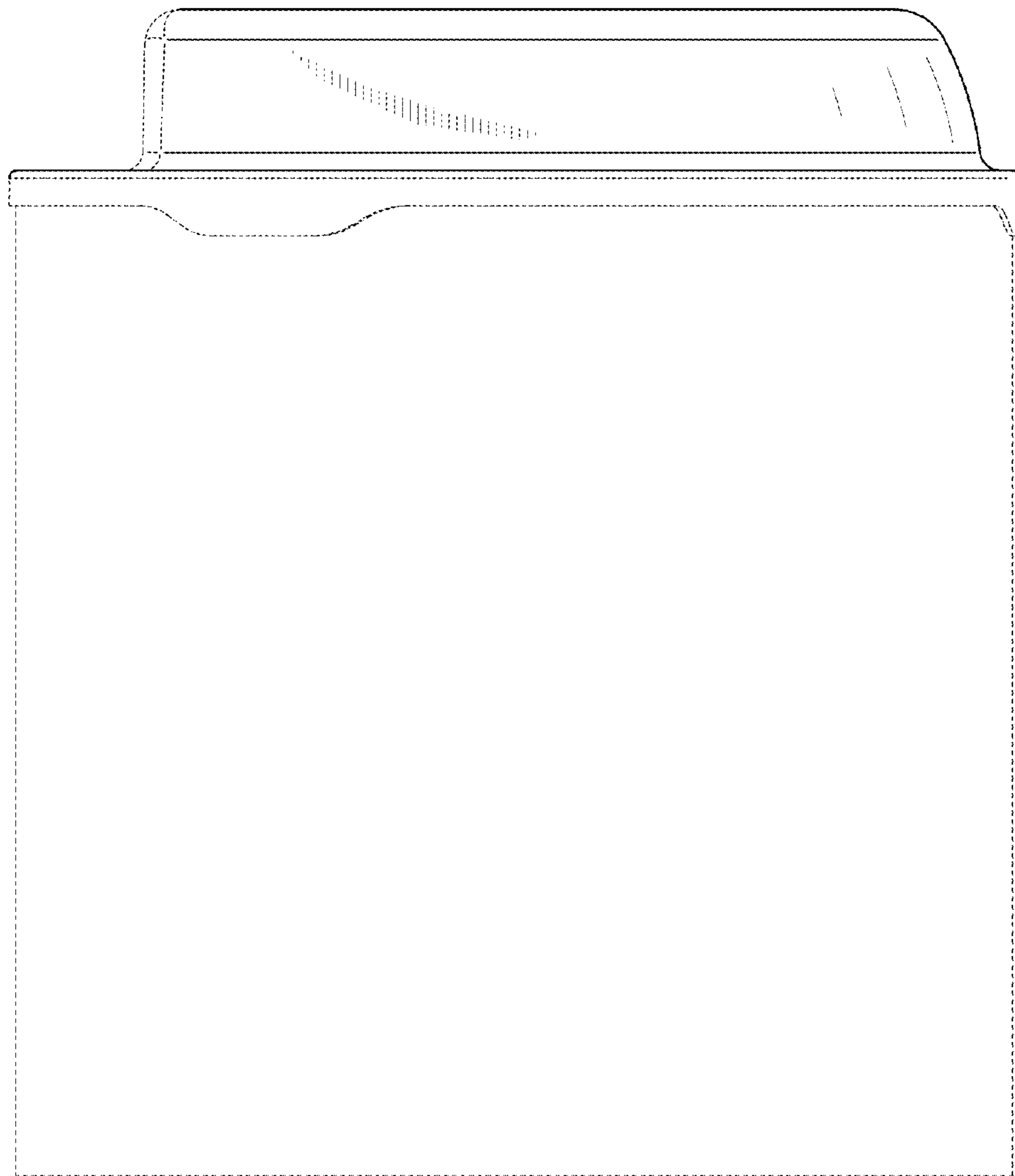


FIG. 6

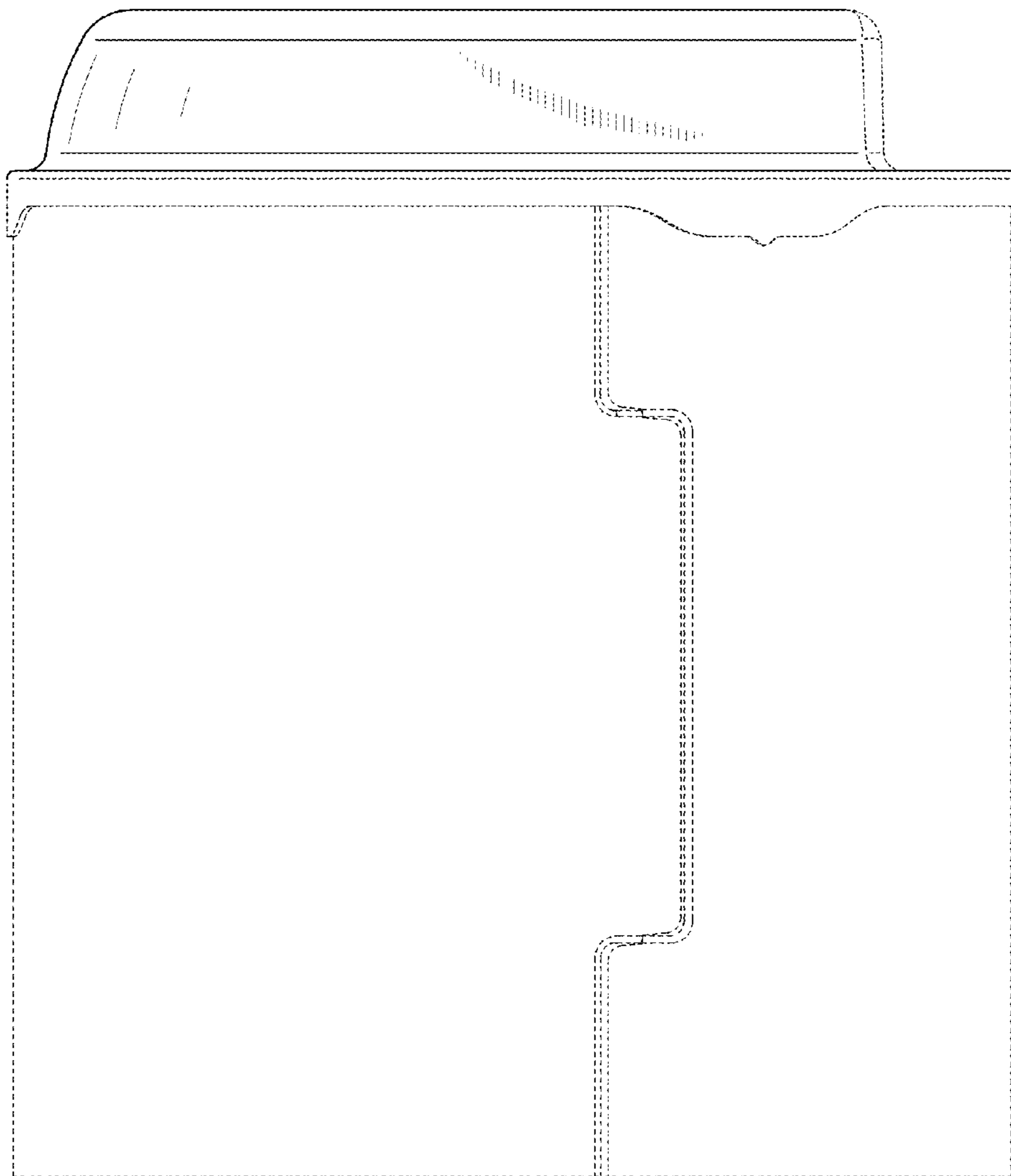




FIG. 7

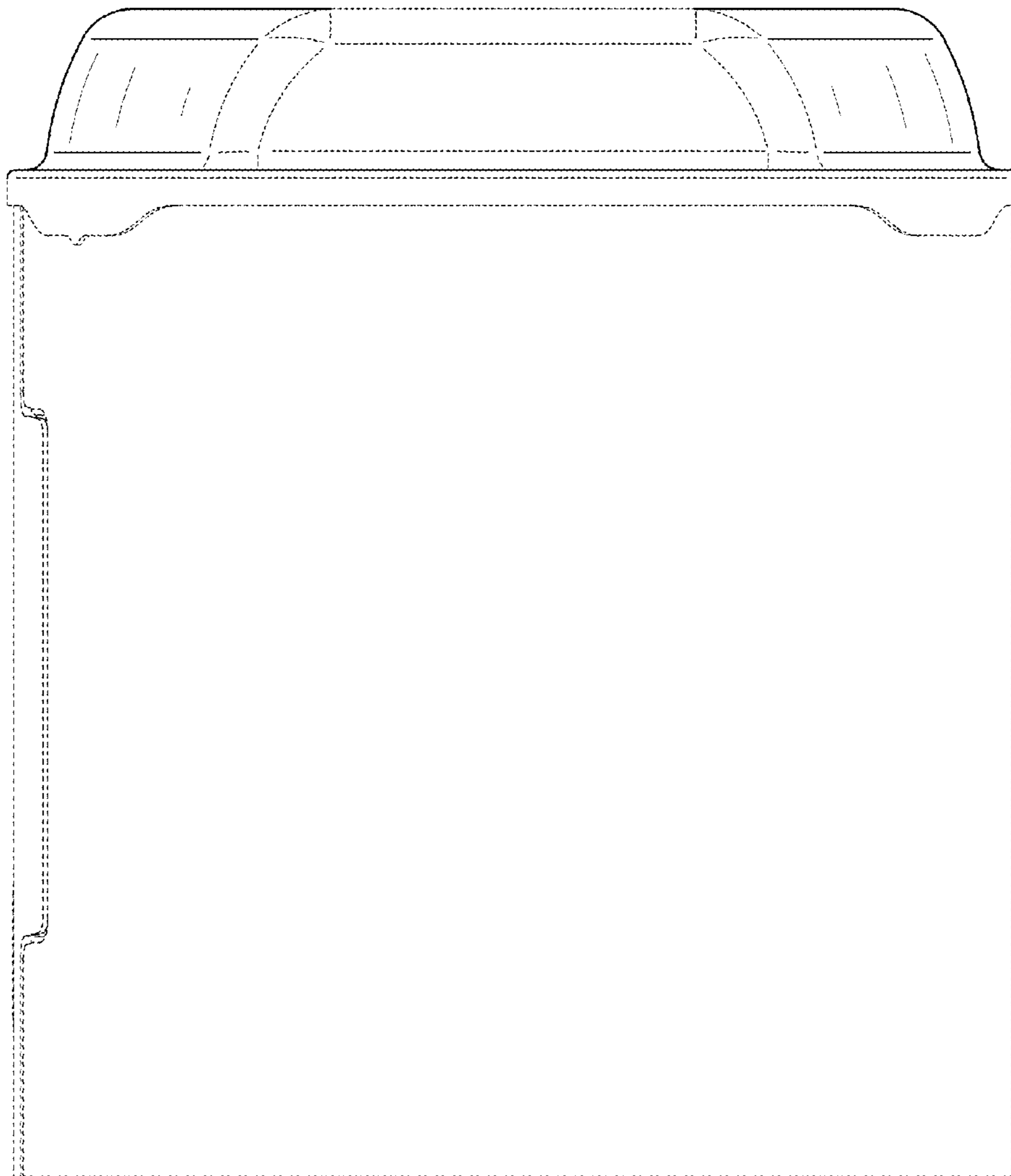


FIG. 8

