



US00D756023S

(12) **United States Design Patent**
Hoffer

(10) **Patent No.:** **US D756,023 S**
(45) **Date of Patent:** **** May 10, 2016**

(54) **REFLECTOR**

(71) Applicant: **Julien Marc Hoffer**, Prilly (CH)

(72) Inventor: **Julien Marc Hoffer**, Prilly (CH)

(**) Term: **14 Years**

(21) Appl. No.: **29/494,110**

(22) Filed: **Jun. 17, 2014**

(30) **Foreign Application Priority Data**

Dec. 20, 2013 (EM) 002375667-0001

(51) **LOC (10) Cl.** **26-99**

(52) **U.S. Cl.**
USPC **D26/118**

(58) **Field of Classification Search**
USPC D26/9, 10, 12, 13, 15, 16, 24, 51, 61,
D26/72, 76, 80, 81, 85, 86, 88, 90, 113, 118,
D26/119, 120, 122, 128, 129, 138, 143, 144,
D26/5, 6, 11, 79, 114, 116, 131, 137, 121,
D26/127, 135, 180; D13/180; D10/18, 21,
D10/24, 25, 27, 28, 46, 93, 104.1, 113, 114,
D10/116.1; D17/99
CPC B60Q 1/04; B60Q 1/26; F21S 8/026;
F21S 8/04; F21V 29/004; F21V 21/02;
F21V 21/04; F21V 29/2212; F21V 37/002;
F21V 7/00; F21V 29/83; F21V 7/22; F21Y
2101/02; F21L 19/00; F23D 11/443; A61L
9/037

See application file for complete search history.

(56) **References Cited**

U.S. PATENT DOCUMENTS

3,433,941 A * 3/1969 Hall 362/297
3,701,898 A * 10/1972 McNamara, Jr. 362/341
4,531,180 A * 7/1985 Hernandez 362/297

D290,662 S * 7/1987 Basil et al. D6/310
D300,877 S * 4/1989 Cyr D26/134
6,024,468 A * 2/2000 Kassay et al. 362/260
D456,938 S * 5/2002 Wardenburg D26/118
D499,505 S * 12/2004 Benensohn D26/89
D542,460 S * 5/2007 Hargreaves D26/118
D543,652 S * 5/2007 Hargreaves D26/76
D544,985 S * 6/2007 Hargreaves D26/78
7,722,228 B2 * 5/2010 Broer 362/373
D634,060 S * 3/2011 Wardenburg D26/118
D634,468 S * 3/2011 Hargreaves D26/118
D634,469 S * 3/2011 Hargreaves D26/118
D637,341 S * 5/2011 Wardenburg D26/118
D637,752 S * 5/2011 Mekhtarian D26/72
D671,259 S * 11/2012 Chen D26/135

(Continued)

OTHER PUBLICATIONS

Lumenmax Reflector, image post date 2009, site visited Aug. 9, 2015,
(online), <[http://www.ehydroponics.com/?action=product
&id=3275&cid=1](http://www.ehydroponics.com/?action=product&id=3275&cid=1)>.*

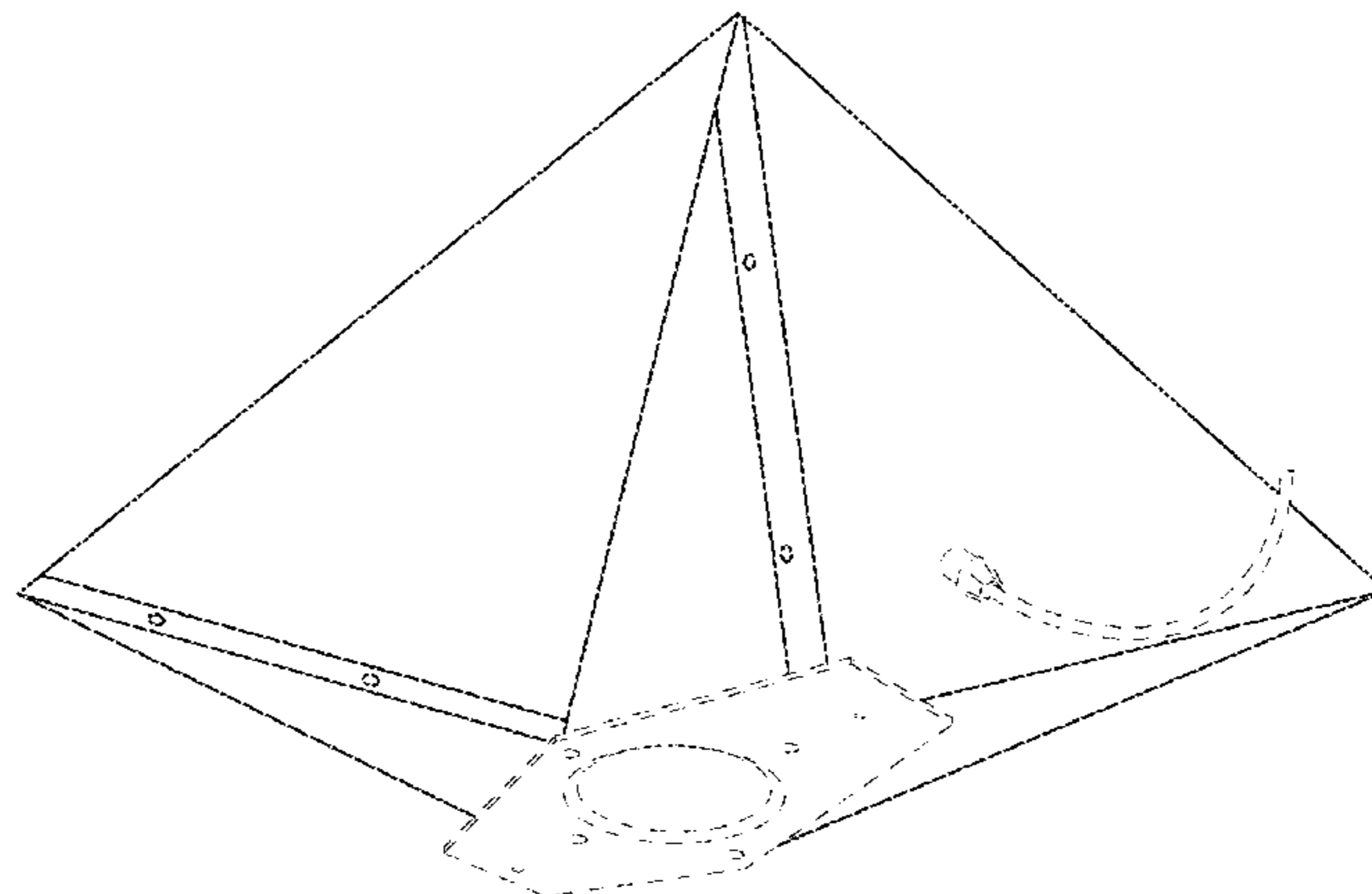
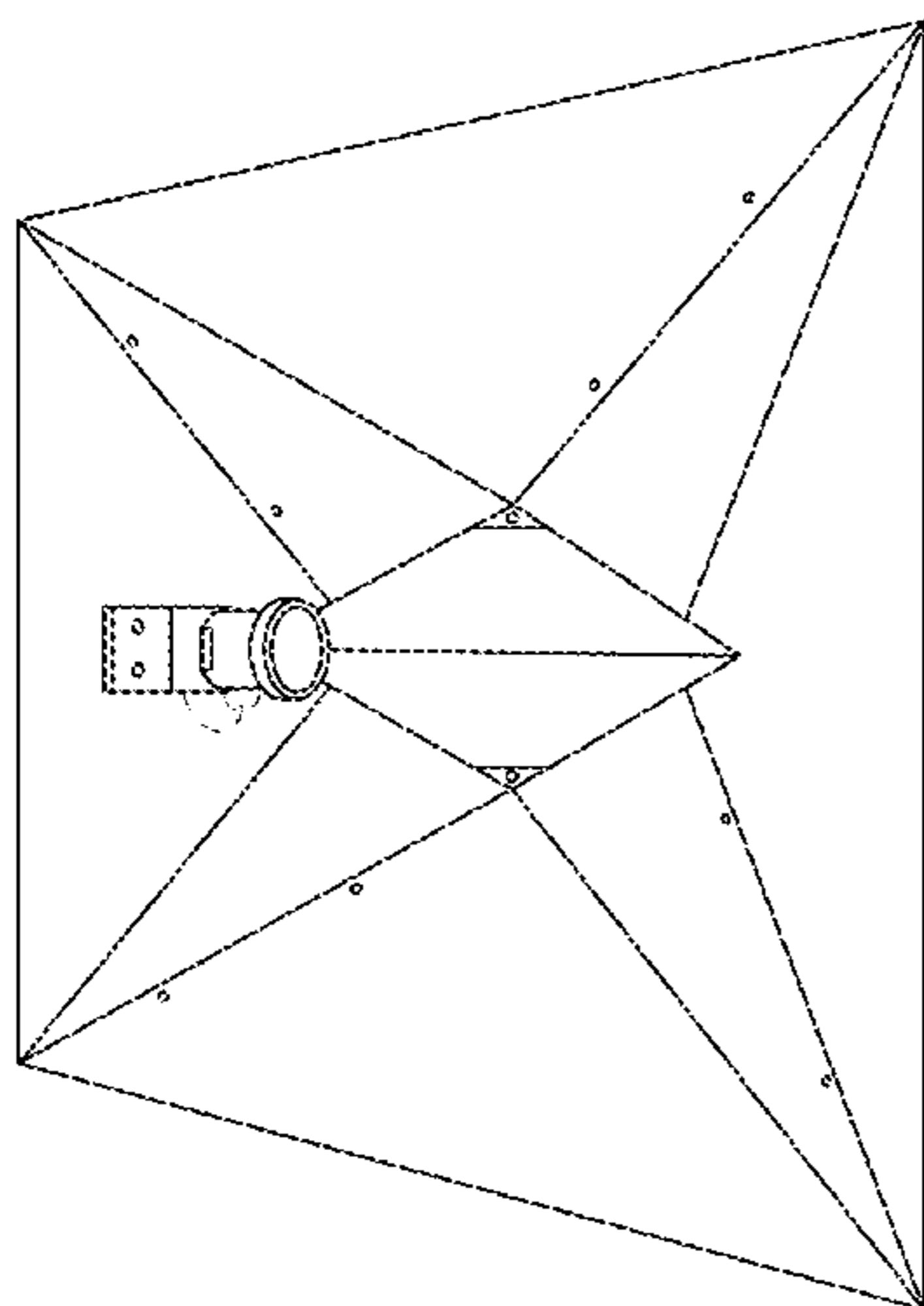
Primary Examiner — Kevin Rudzinski
Assistant Examiner — Sean D Lough
(74) *Attorney, Agent, or Firm* — Sheridan Ross PC

(57) **CLAIM**
The ornamental design for a reflector, as shown and described.

DESCRIPTION

FIG. 1 is a first top perspective view of the reflector;
FIG. 2 is a second top perspective view of the reflector;
FIG. 3 is a bottom plan view of the reflector;
FIG. 4 is a first bottom perspective view of the reflector;
FIG. 5 is a second bottom perspective view of the reflector;
and,
FIG. 6 is a third bottom perspective view of the reflector.
The broken lines where present in all Figs. illustrate portions of the reflector that form no part of the claimed design.

1 Claim, 6 Drawing Sheets



(56)

References Cited

U.S. PATENT DOCUMENTS

D675,369 S *	1/2013	Michaud	D26/118	D731,701 S *	6/2015	Hargreaves	D26/118
D698,986 S *	2/2014	Reynolds	D26/118	D732,233 S *	6/2015	Reynolds	D26/118
D720,505 S *	12/2014	Kersten	D30/121	D732,235 S *	6/2015	Reynolds	D26/118
D725,819 S *	3/2015	Reynolds	D26/118	D732,236 S *	6/2015	Reynolds	D26/118
				2008/0205030 A1 *	8/2008	Hargreaves	362/1
				2009/0310373 A1 *	12/2009	Burkhauser	362/373
				2013/0083539 A1 *	4/2013	Dimitriadis	362/297

* cited by examiner

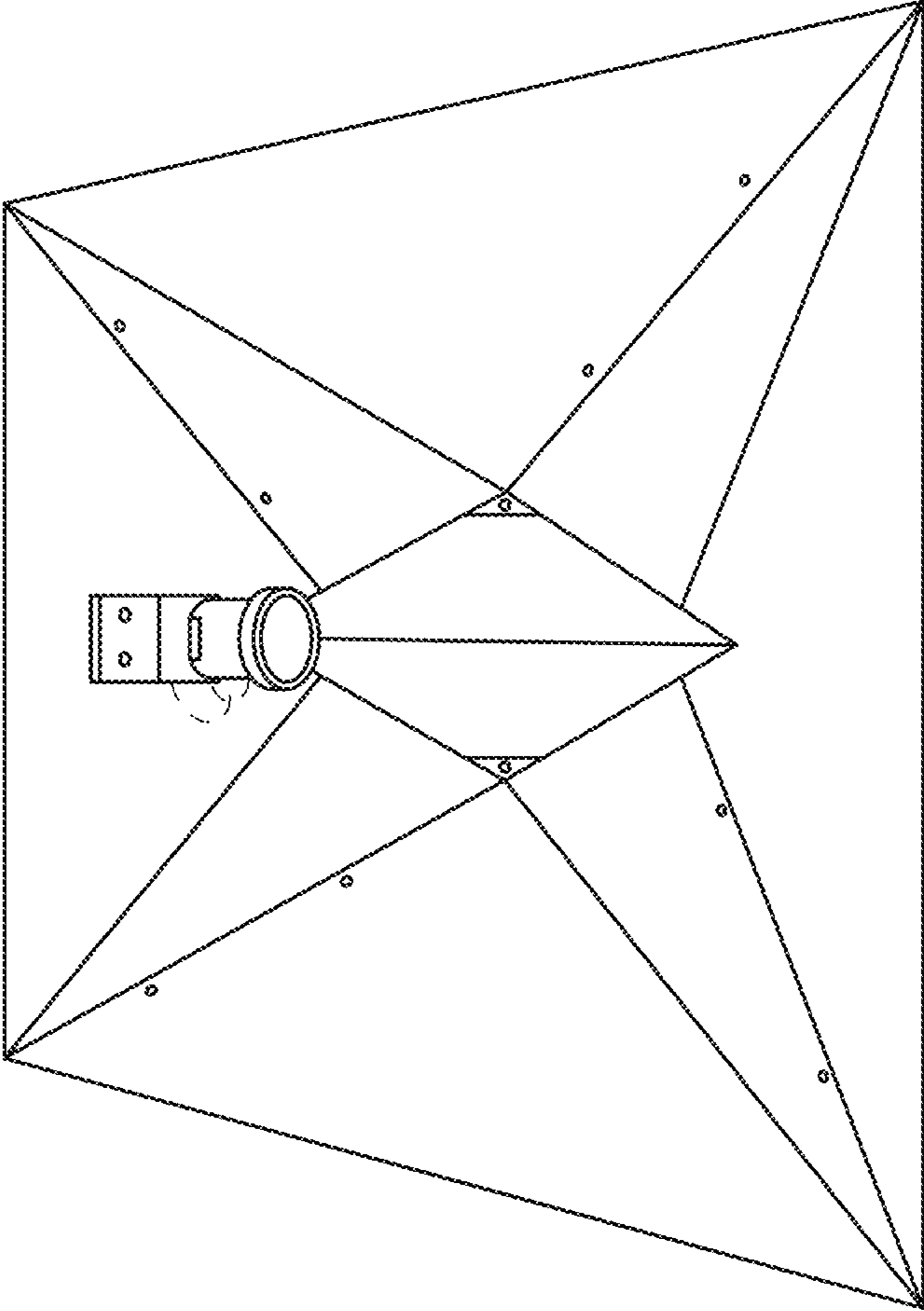


FIG. 1

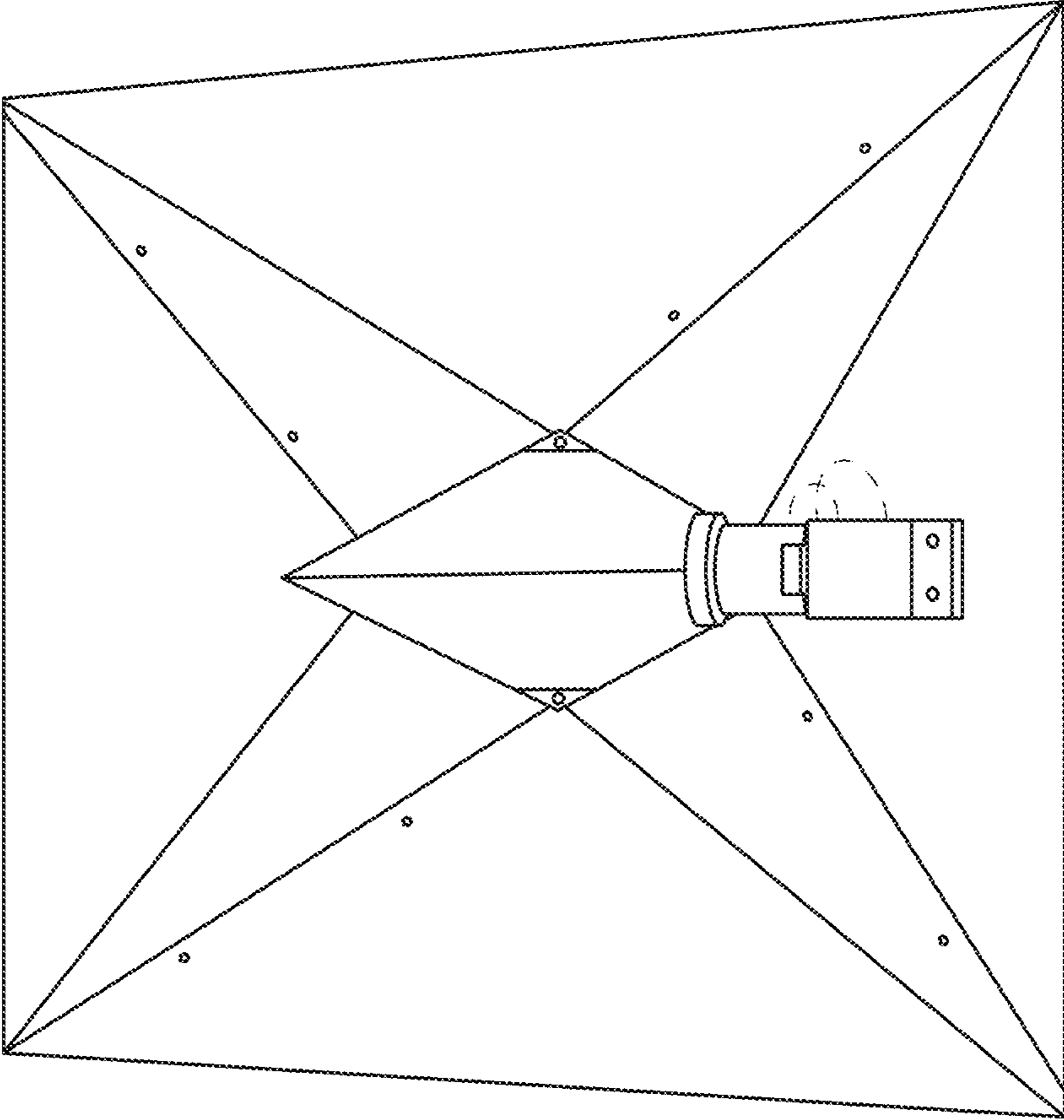


FIG.2

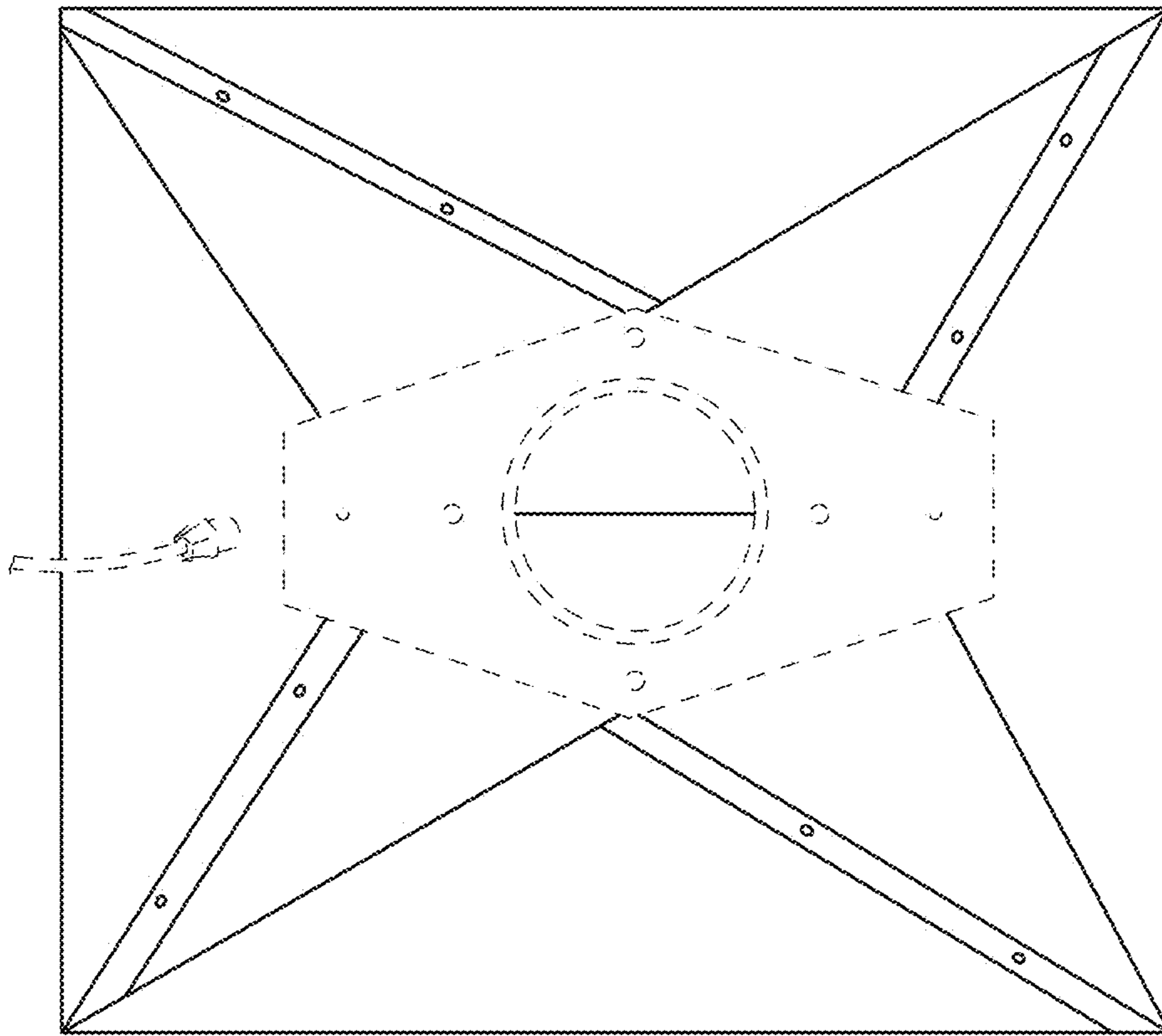


FIG.3

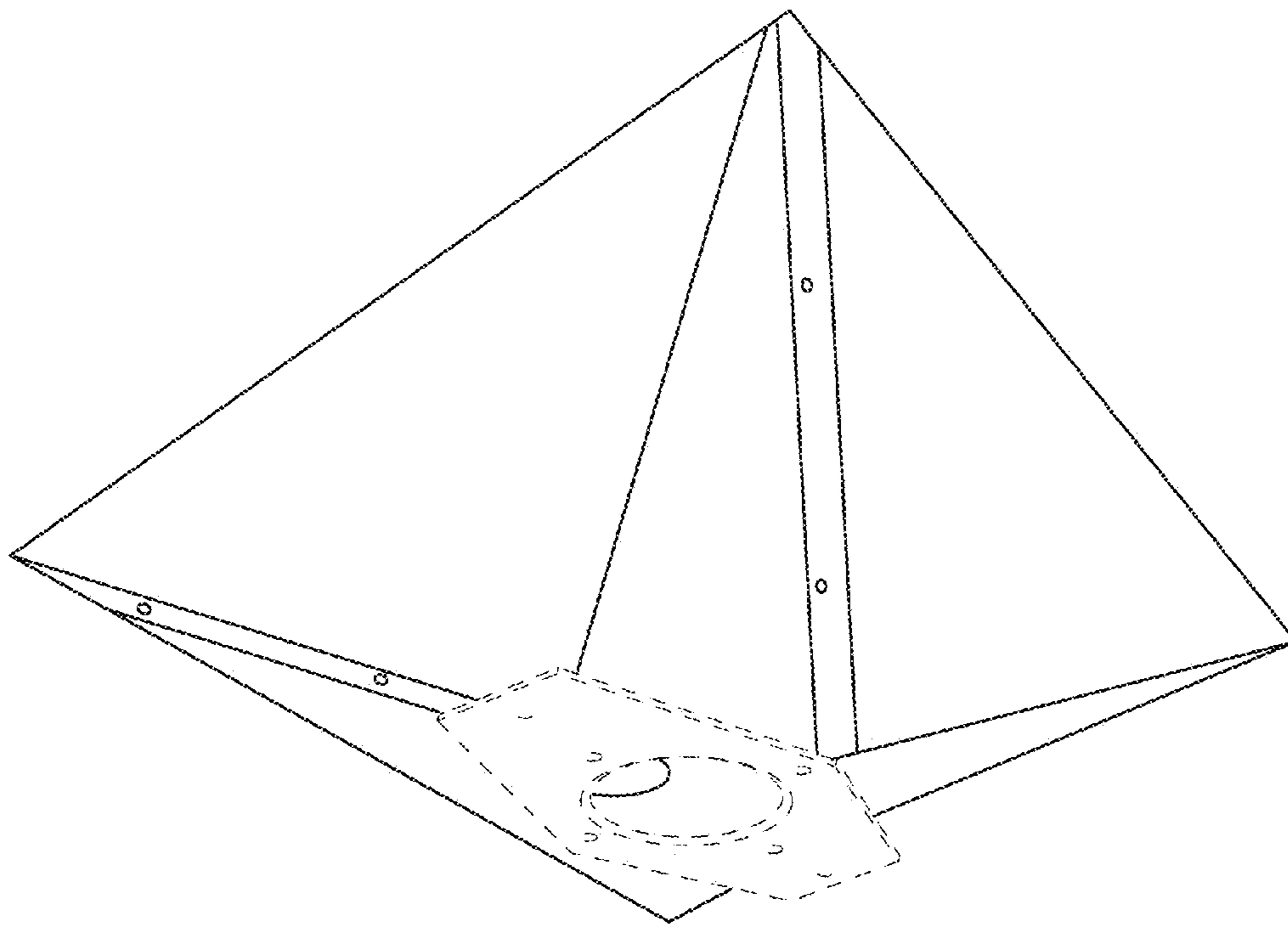


FIG.4

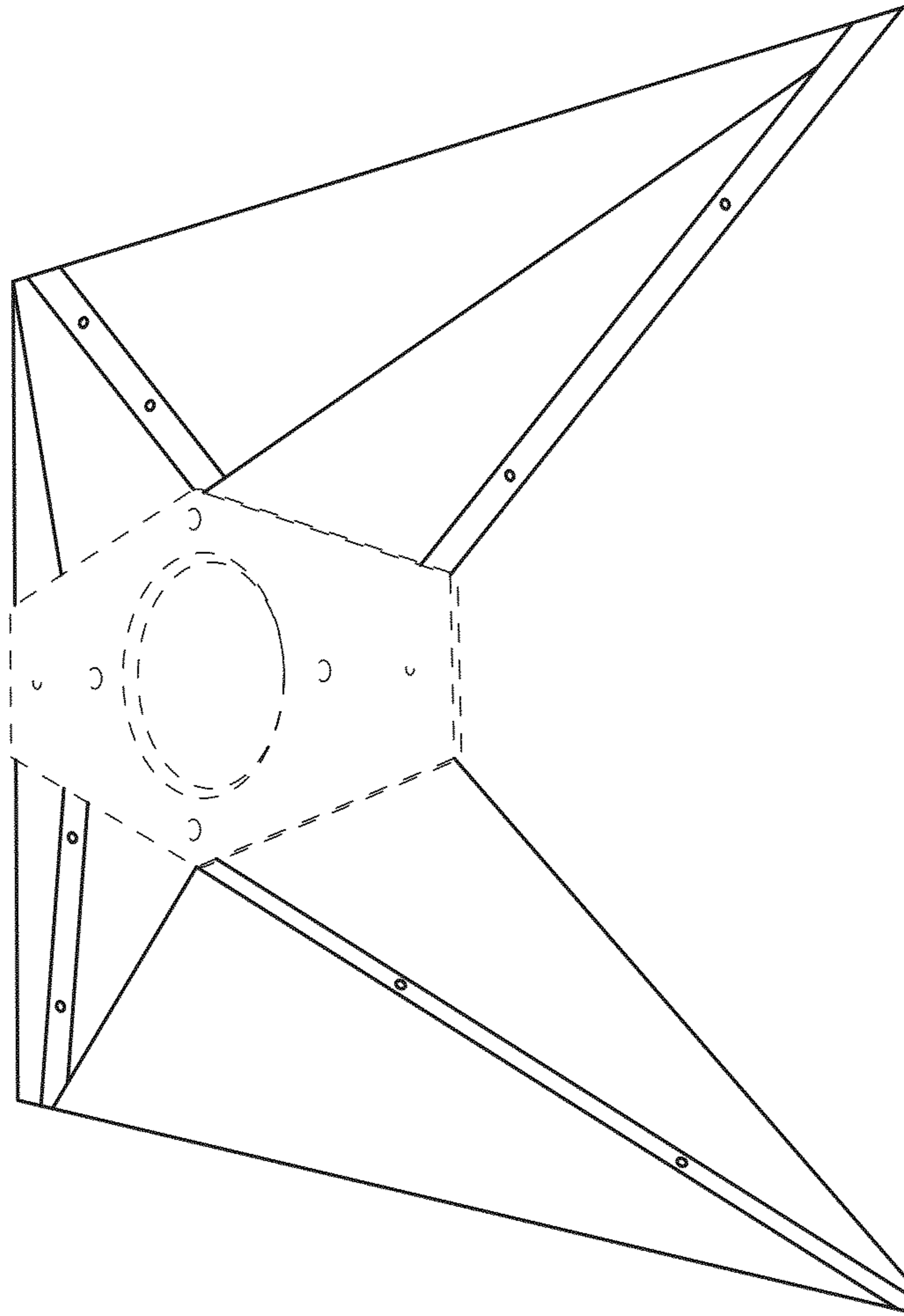


FIG.5

