



US00D756021S

(12) **United States Design Patent**
Weitgasser et al.

(10) **Patent No.:** **US D756,021 S**
(45) **Date of Patent:** **** May 10, 2016**

(54) **LUMINAIRE**

(71) Applicant: **Derungs Licht AG**, Gossau (CH)

(72) Inventors: **Erwin Weitgasser**, Salzburg (AT);
Detlev Magerer, Salzburg (AT)

(73) Assignee: **Derungs Licht AG**, Gossau (CH)

(**) Term: **14 Years**

(21) Appl. No.: **29/489,253**

(22) Filed: **Apr. 29, 2014**

(30) **Foreign Application Priority Data**

Nov. 6, 2013 (WO) 772848501

(51) **LOC (10) Cl.** **26-03**

(52) **U.S. Cl.**
USPC **D26/113**

(58) **Field of Classification Search**
USPC D26/24, 61, 63, 72, 85, 87, 113, 118
CPC F21S 8/04; F21S 8/043; F21S 8/08;
F21V 15/00; F21V 21/00; F21V 1/084;
F21V 21/116; F21V 21/14

See application file for complete search history.

(56) **References Cited**

U.S. PATENT DOCUMENTS

D483,147 S * 12/2003 Farmer D26/63
D636,513 S * 4/2011 Furtsch D26/61
D690,457 S * 9/2013 Lu D26/118

* cited by examiner

Primary Examiner — Brian N Vinson

(74) *Attorney, Agent, or Firm* — Davis & Bujold PLLC;
Michael J. Bujold

(57) **CLAIM**

The ornamental design for a luminaire, as shown and described.

DESCRIPTION

FIG. 1 is a rear elevational view of a luminaire, showing our new design;

FIG. 2 is a front elevational view thereof;

FIG. 3 is a left elevational view thereof;

FIG. 4 is a right elevational view thereof;

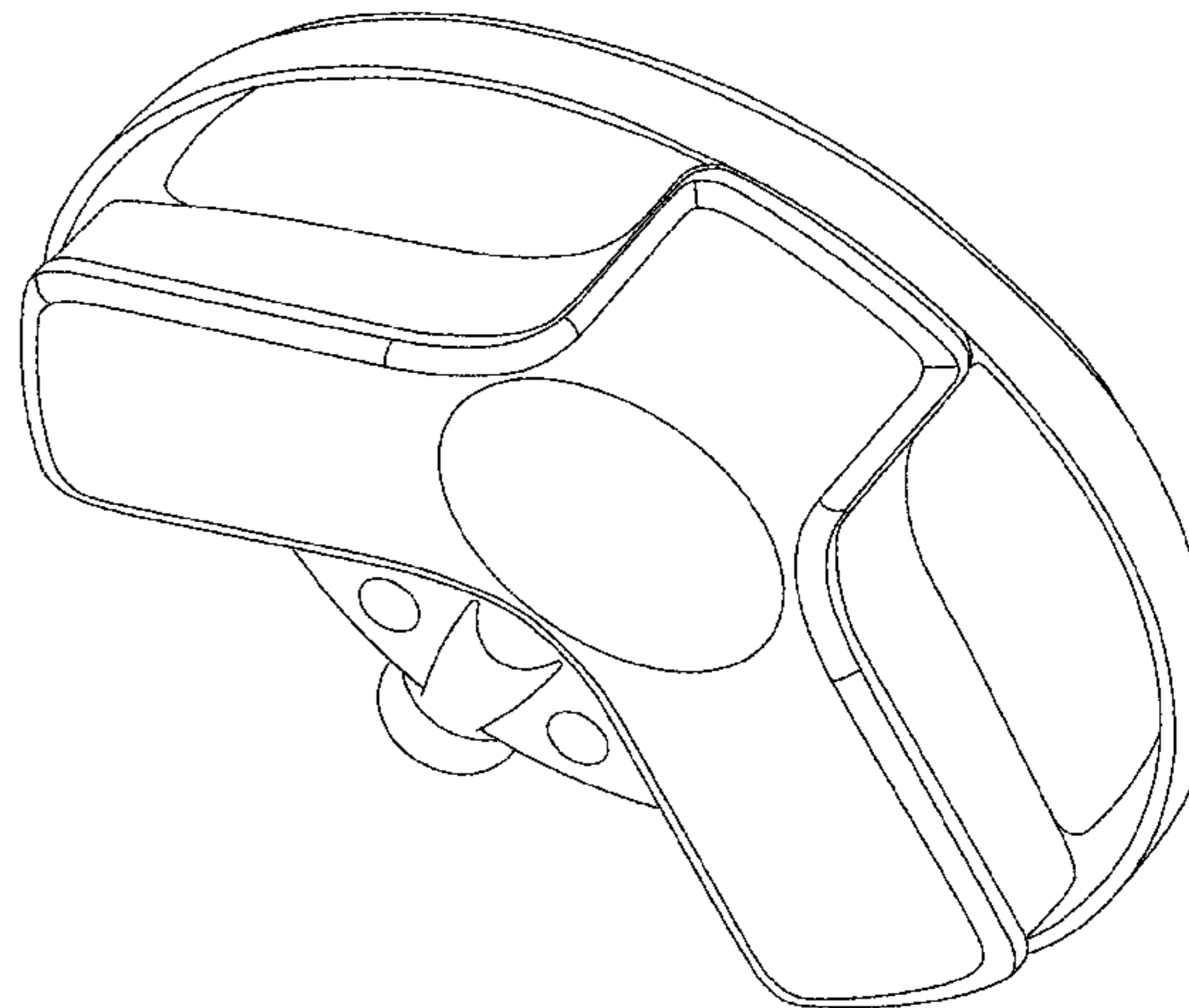
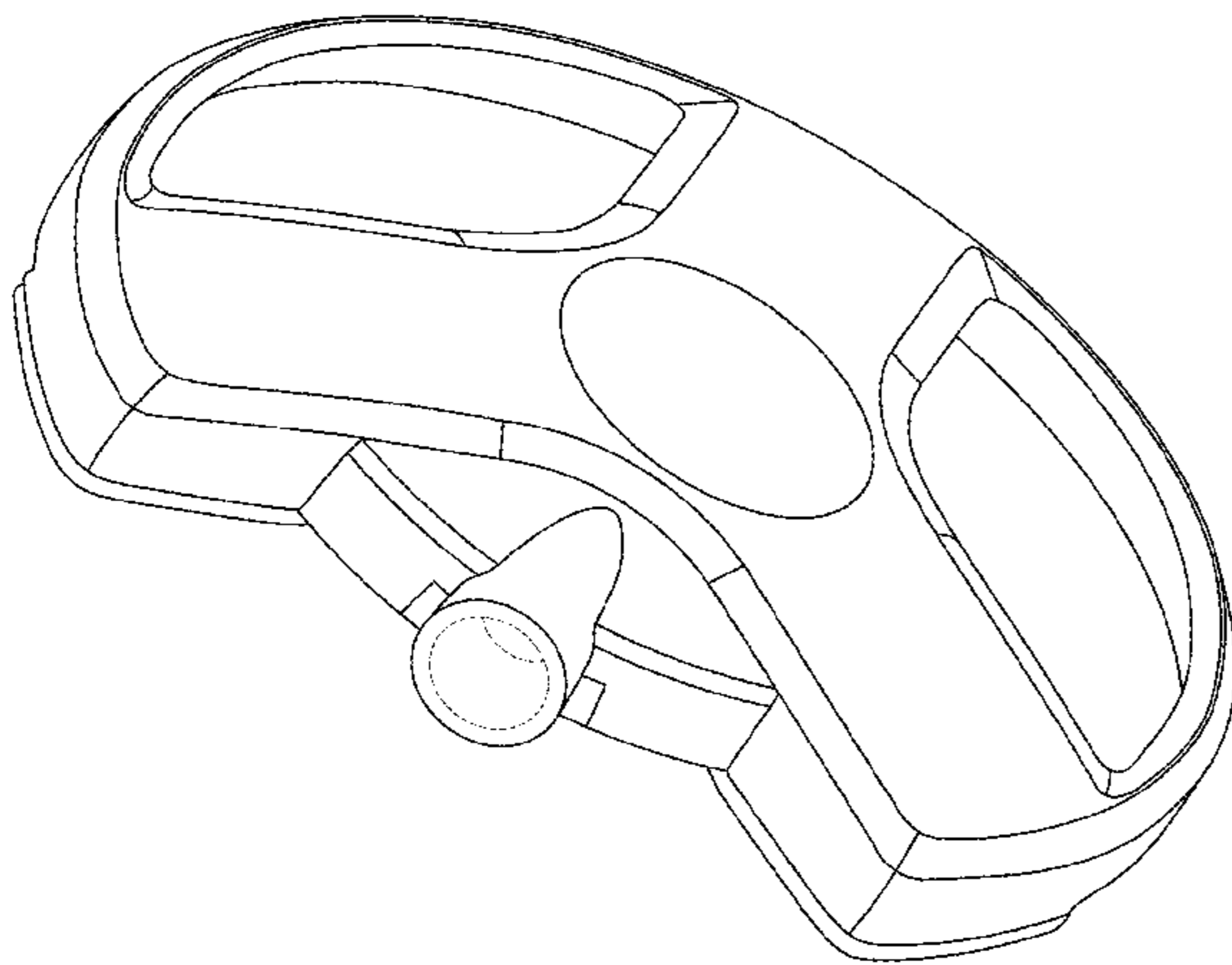
FIG. 5 is a top plan view thereof;

FIG. 6 is a bottom plan view thereof;

FIG. 7 is a perspective view thereof, from the rear and top; and,

FIG. 8 is a perspective view thereof, from the bottom and front.

1 Claim, 8 Drawing Sheets



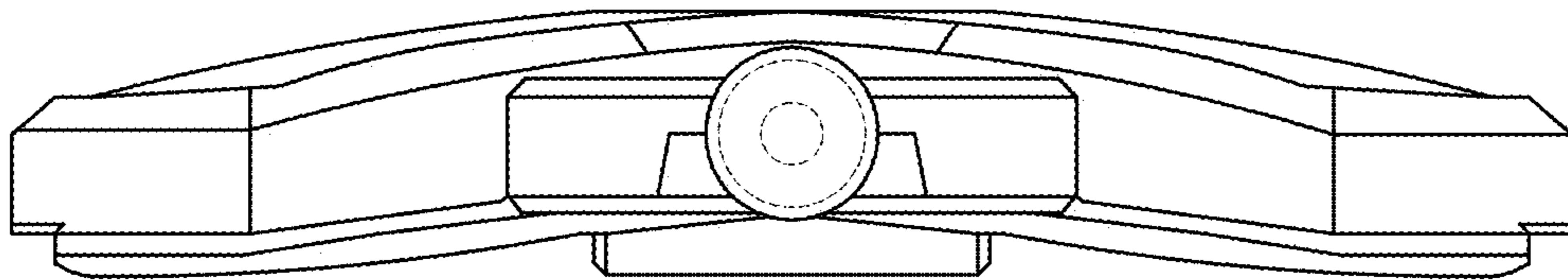


FIG.1

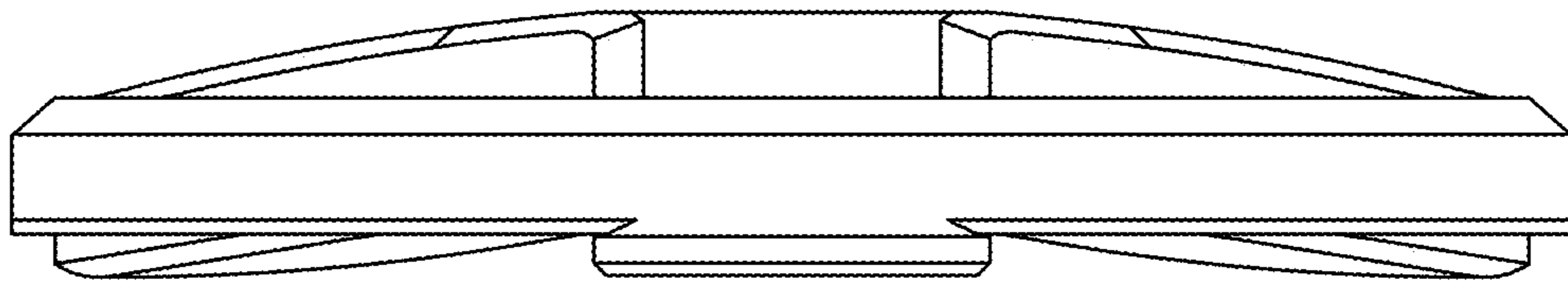


FIG.2

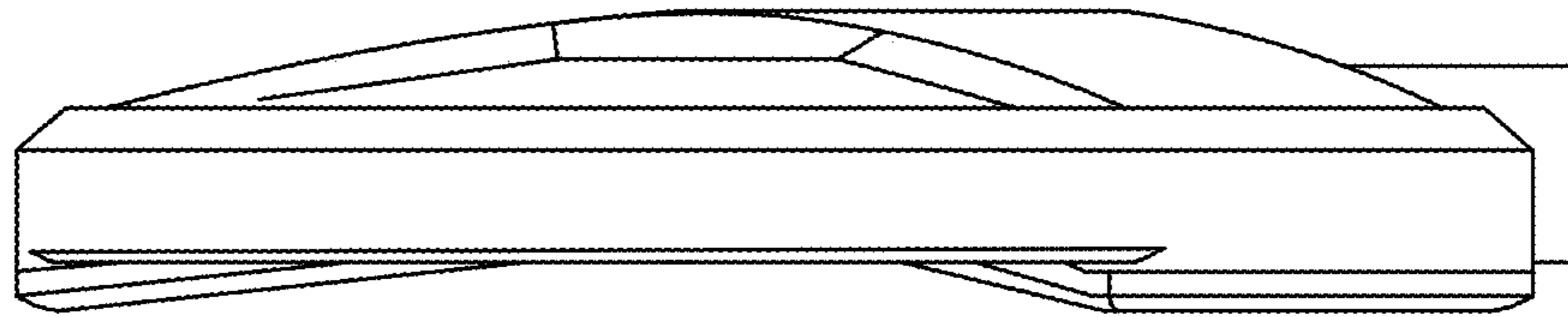


FIG.3

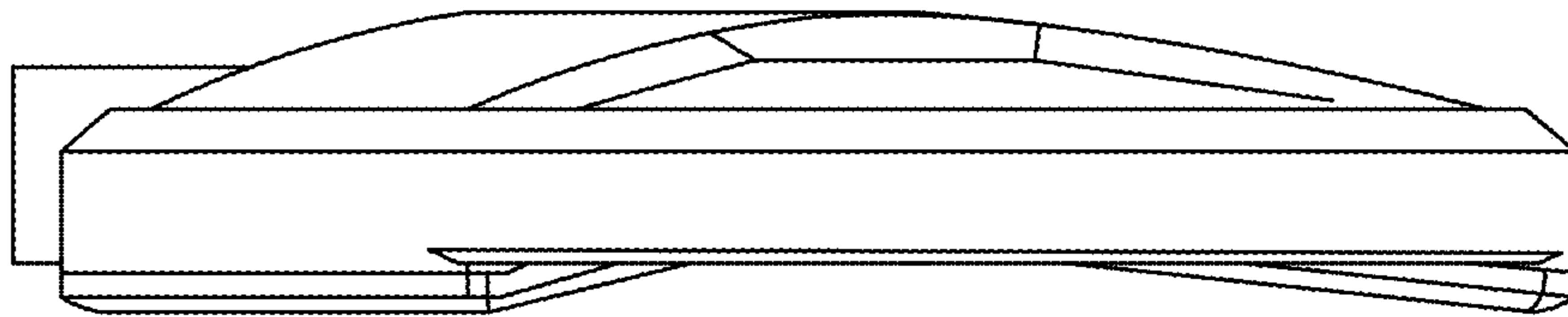


FIG.4

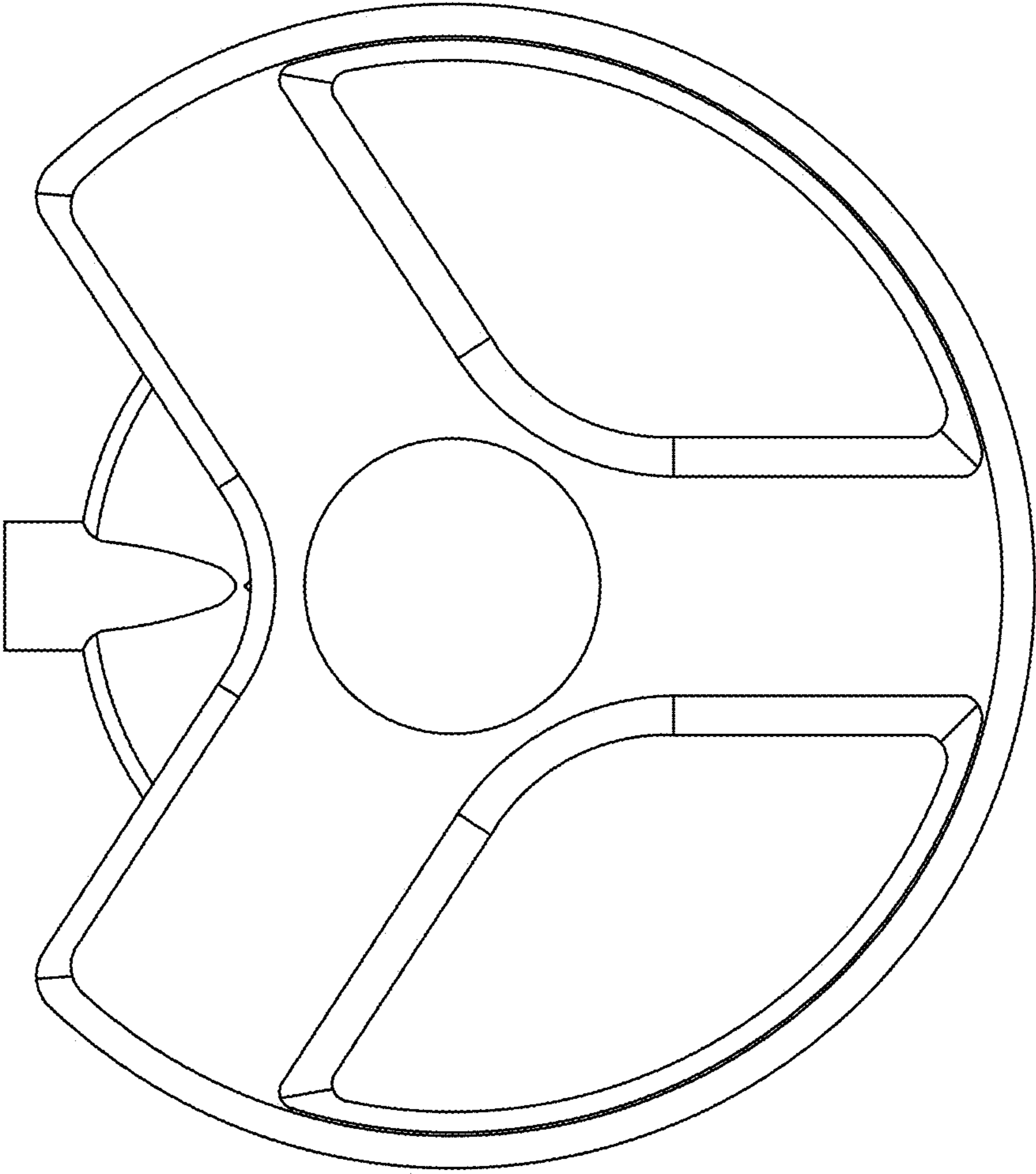


FIG.5

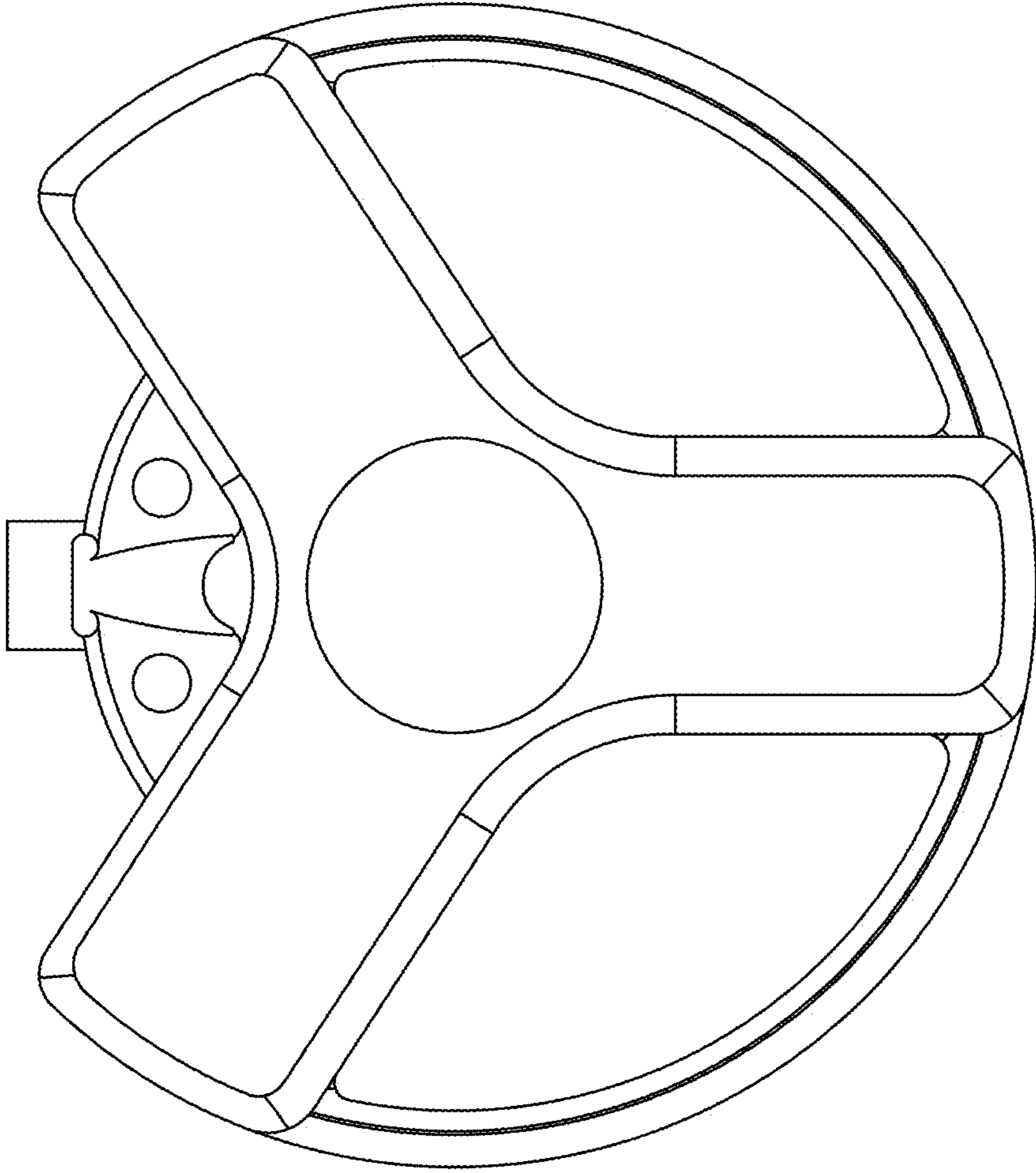


FIG.6

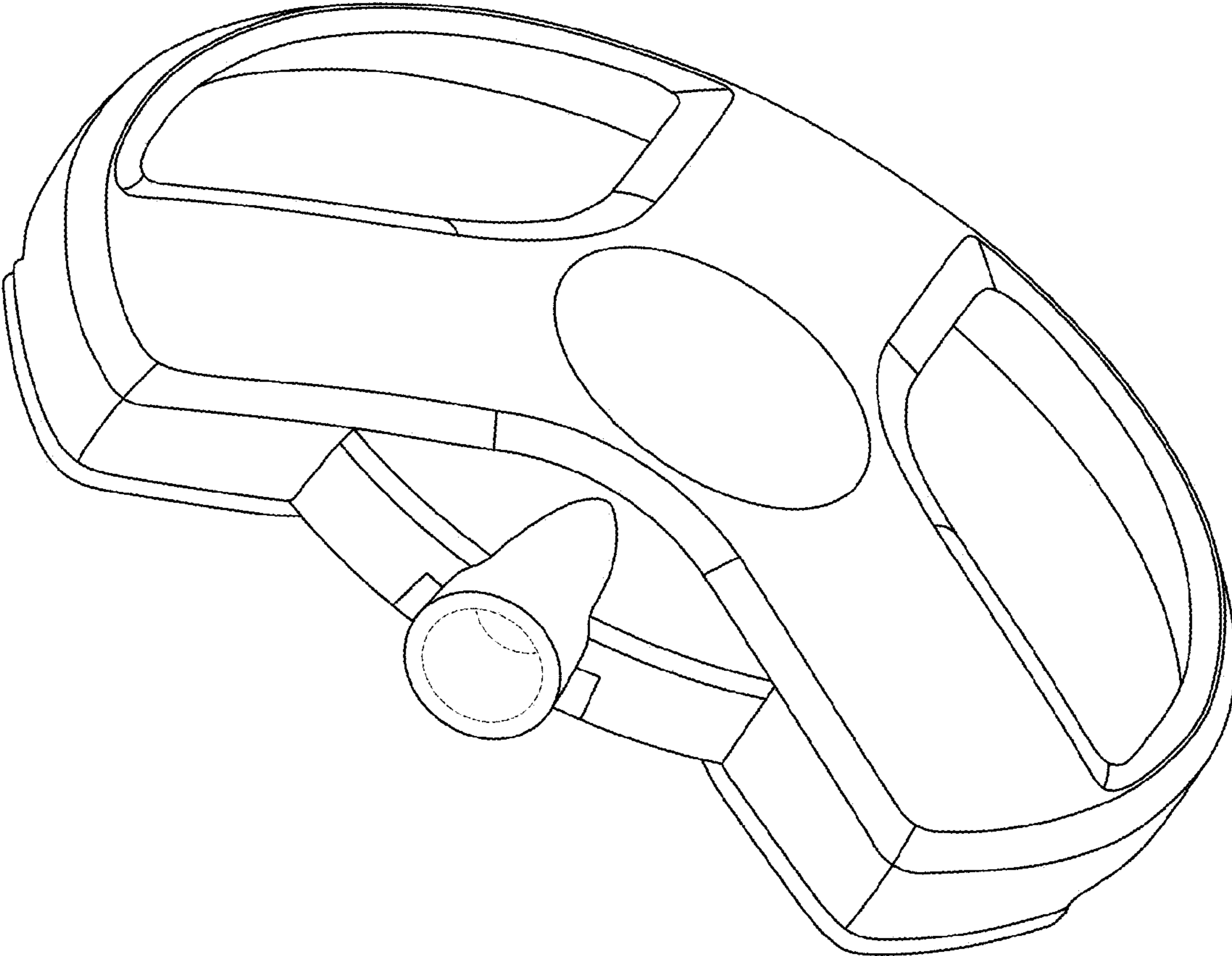


FIG.7

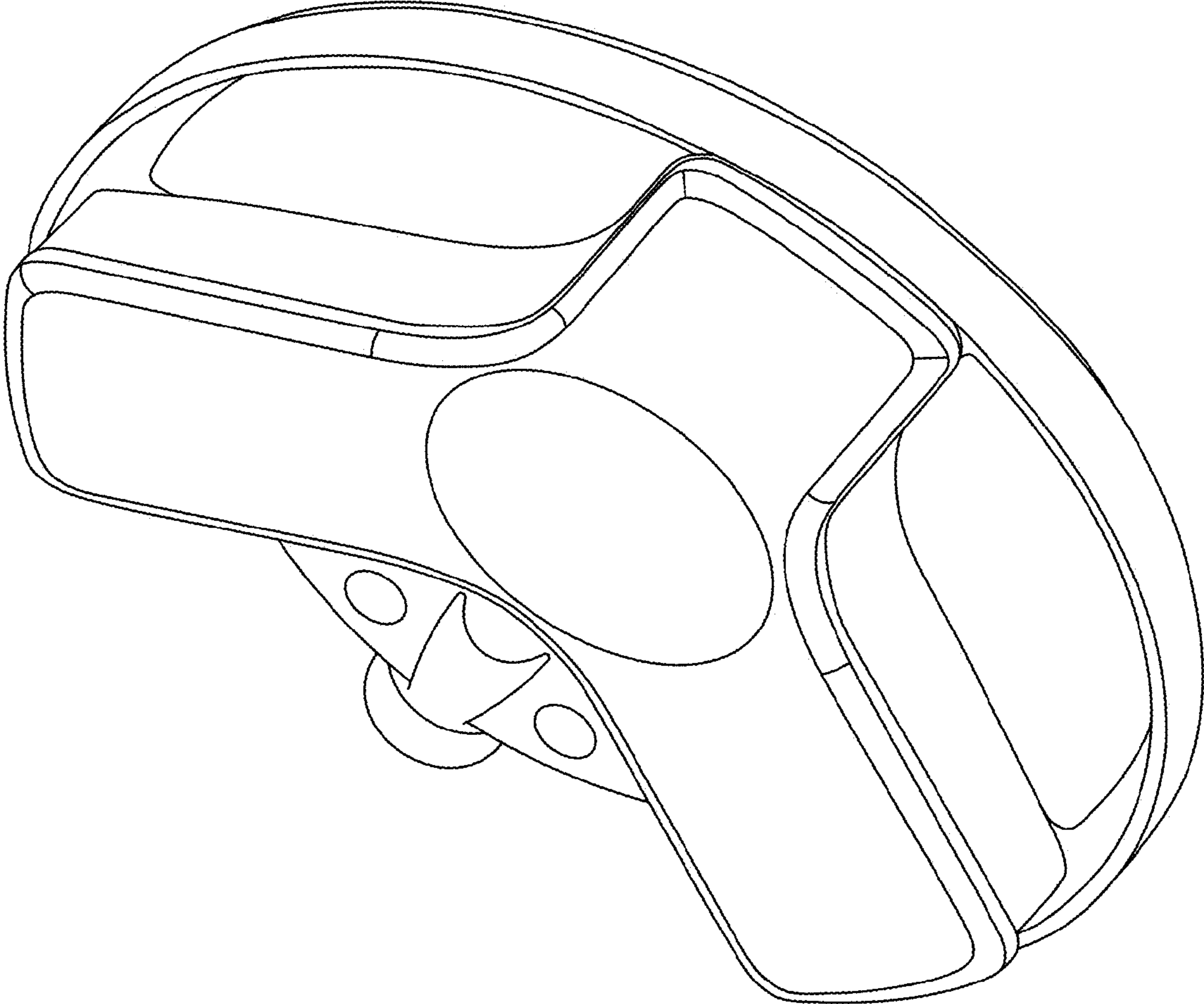


FIG.8