



US00D756018S

(12) **United States Design Patent**  
**Ho**

(10) **Patent No.:** **US D756,018 S**  
(45) **Date of Patent:** **\*\* May 10, 2016**

- (54) **LAMP**
- (71) Applicant: **Su-Fang Ho**, New Taipei (TW)
- (72) Inventor: **Su-Fang Ho**, New Taipei (TW)
- (\*\*) Term: **14 Years**
- (21) Appl. No.: **29/496,558**
- (22) Filed: **Jul. 15, 2014**
- (51) **LOC (10) Cl.** ..... **26-03**
- (52) **U.S. Cl.**  
USPC ..... **D26/104**
- (58) **Field of Classification Search**  
USPC ..... D26/1, 24, 47, 49, 93, 94, 104, 106, 110  
CPC ..... F21S 6/00; F21S 6/002; F21S 10/00;  
F21S 10/002; F21V 14/00; F21V 21/02;  
F21W 2131/30  
See application file for complete search history.

- D495,818 S \* 9/2004 Shieh ..... D26/94
- D626,280 S \* 10/2010 Feigenbaum ..... D26/104
- D674,533 S \* 1/2013 Nalitchaev ..... D26/104
- D686,361 S \* 7/2013 Cho ..... D26/93
- D709,239 S \* 7/2014 Tsai ..... D26/104
- D716,491 S \* 10/2014 Lowery ..... D26/93
- D725,309 S \* 3/2015 Leddusire ..... D26/106
- D731,106 S \* 6/2015 Lee ..... D26/93

\* cited by examiner

*Primary Examiner* — Brian N Vinson  
(74) *Attorney, Agent, or Firm* — Rosenberg, Klein & Lee

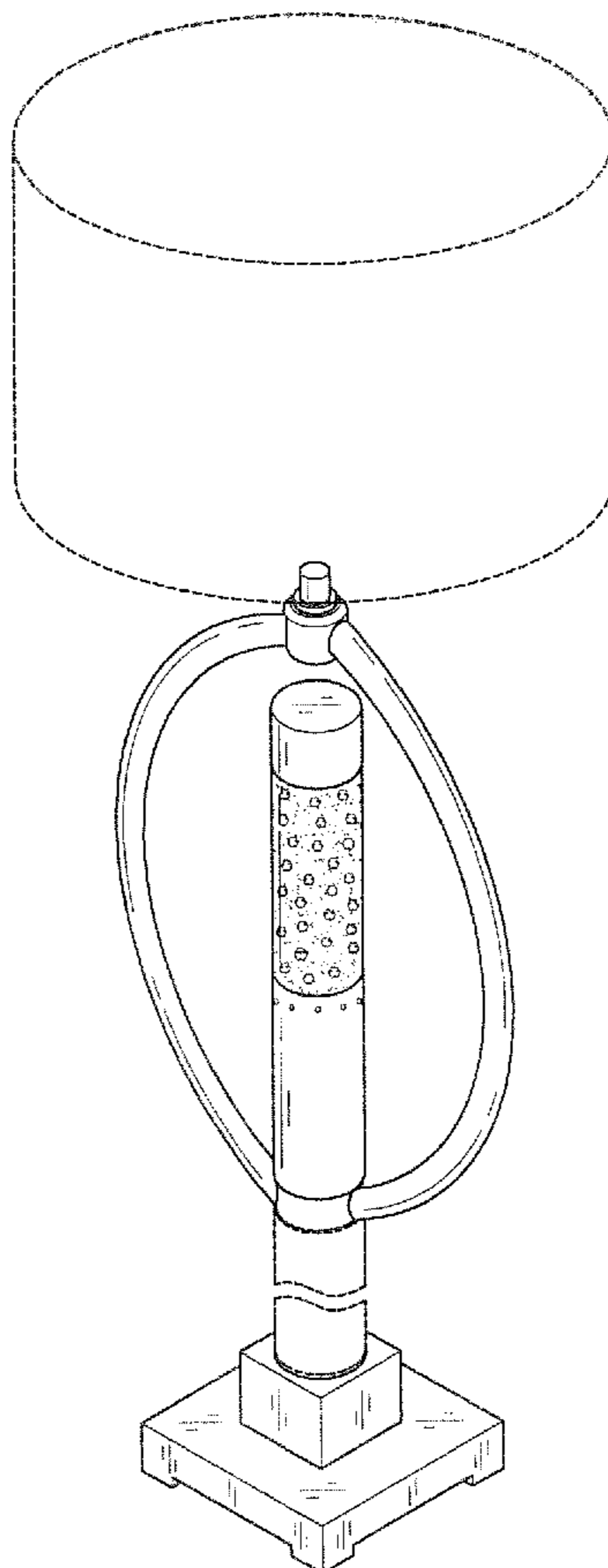
(57) **CLAIM**  
The ornamental design for a lamp, as shown and described.

**DESCRIPTION**

FIG. 1 is a perspective view of a lamp showing my new design;  
FIG. 2 is a front view thereof, a rear view being a mirror image thereof;  
FIG. 3 is a left side elevational view thereof, a right side elevational view being a mirror image thereof;  
FIG. 4 is a top plan elevational view thereof; and,  
FIG. 5 is a bottom plan elevational view thereof.  
The broken line disclosure represents a portion of the article which forms no part of the claimed design.

**1 Claim, 4 Drawing Sheets**

- (56) **References Cited**  
U.S. PATENT DOCUMENTS  
D169,393 S \* 4/1953 Rockmore ..... D26/47  
D173,704 S \* 12/1954 Klotz, Jr. .... D26/47  
D370,072 S \* 5/1996 Arden ..... D26/110



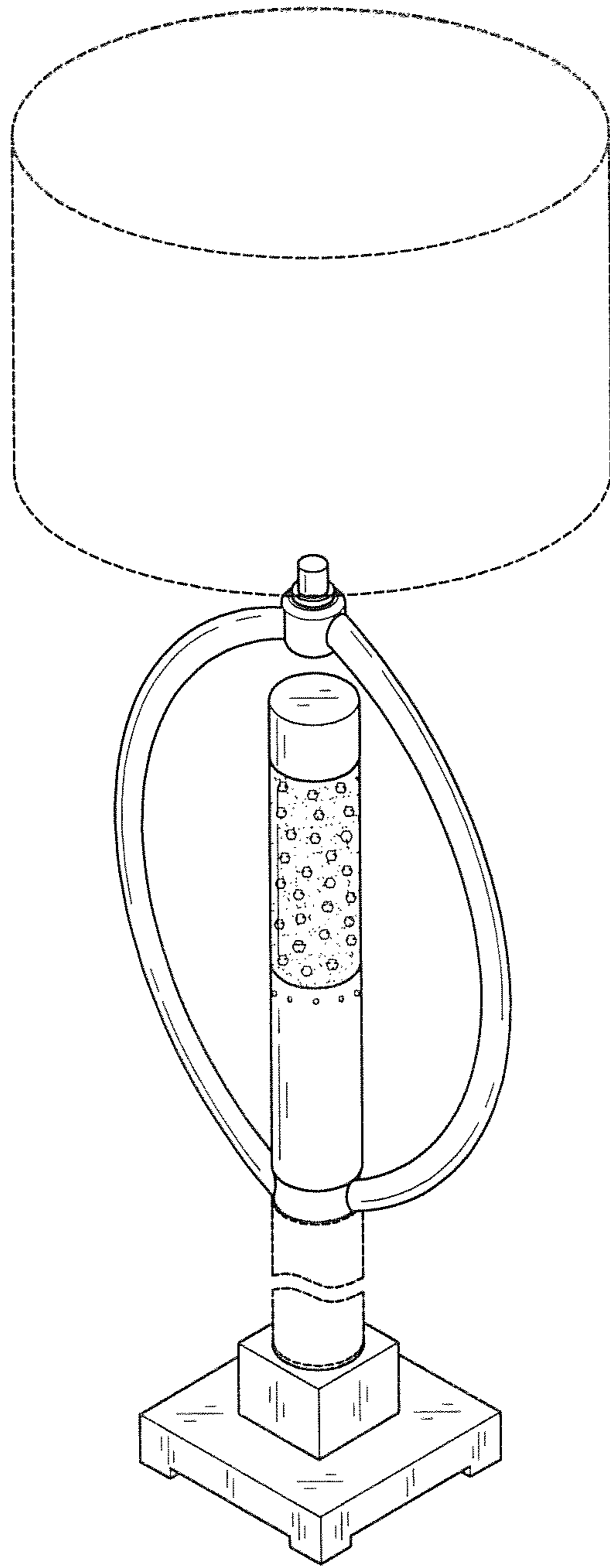


FIG. 1

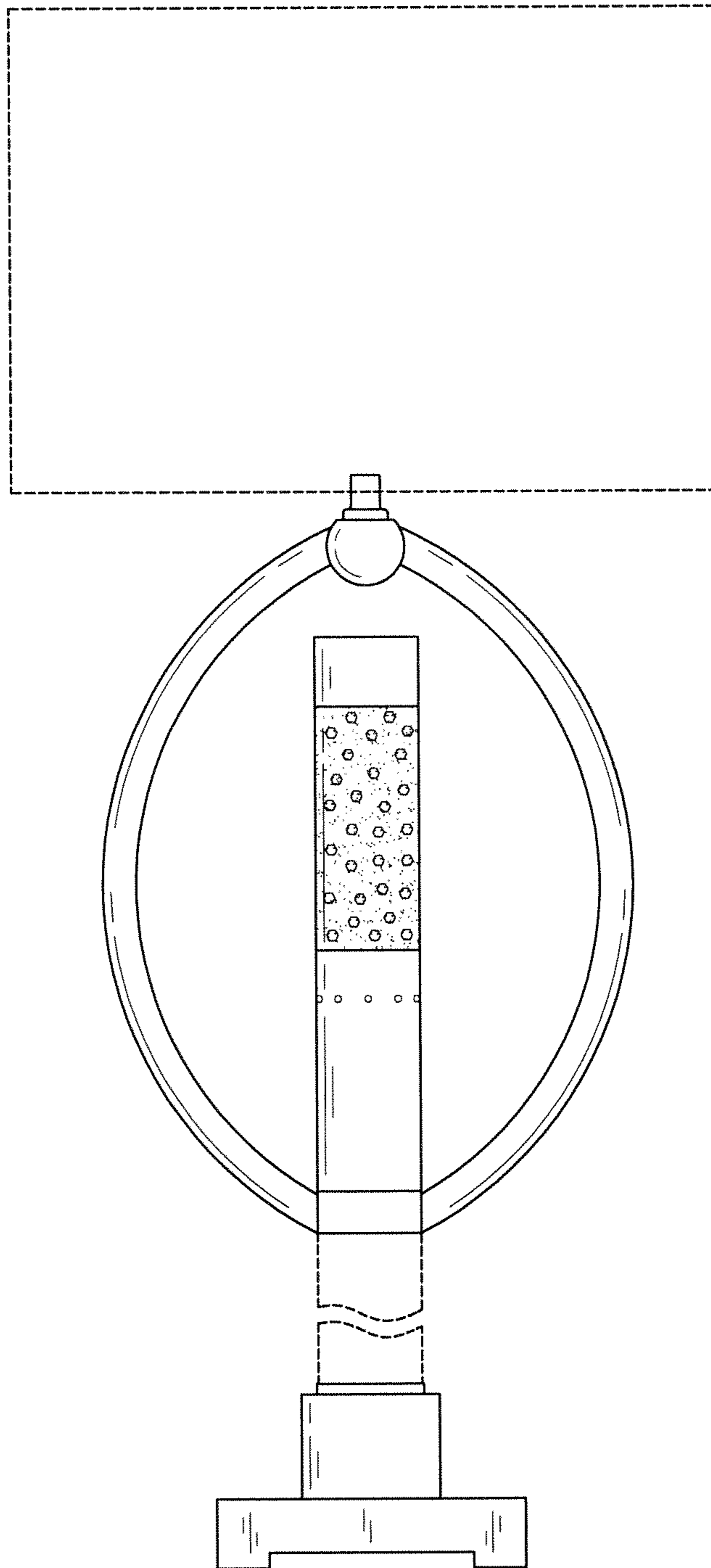


FIG. 2

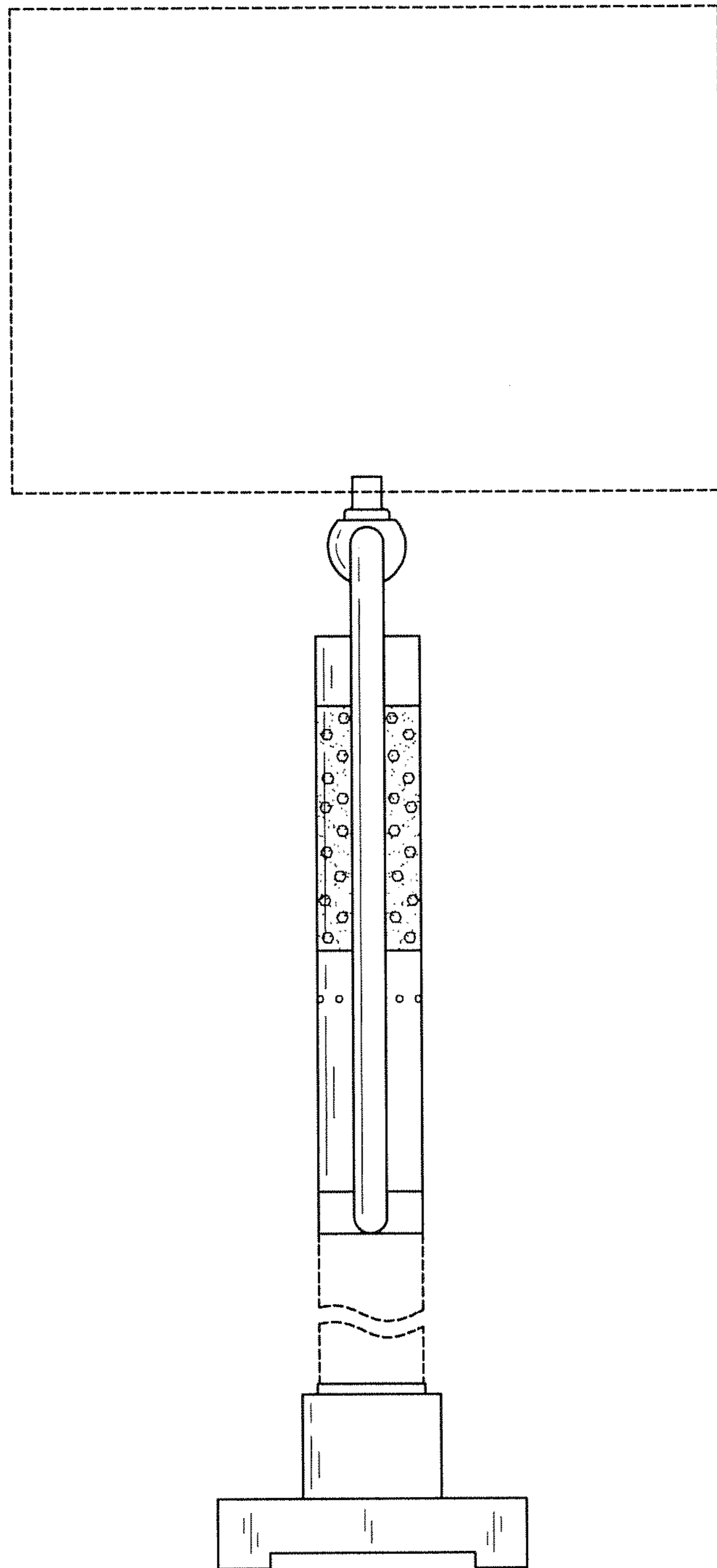


FIG.3

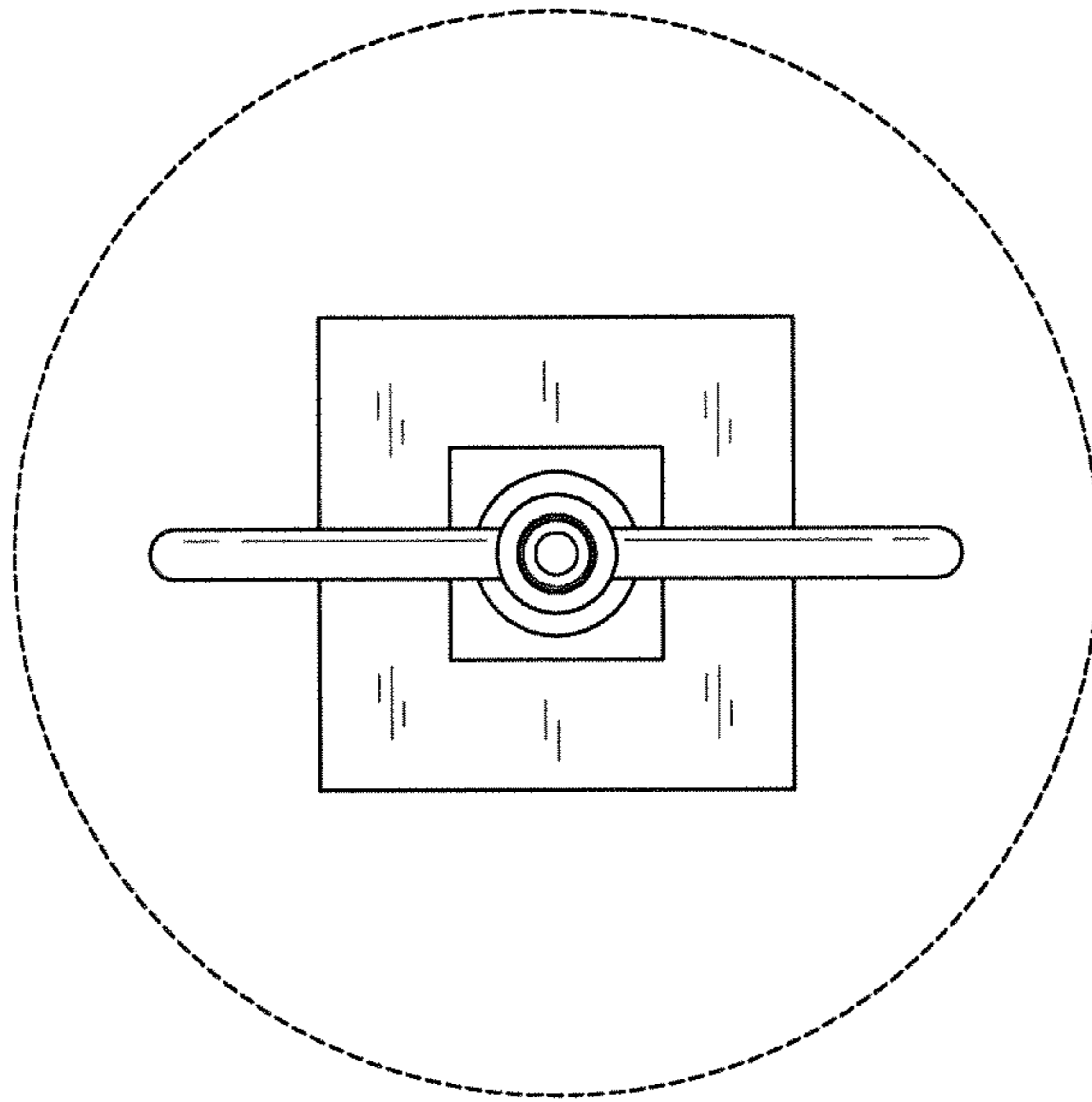


FIG. 4

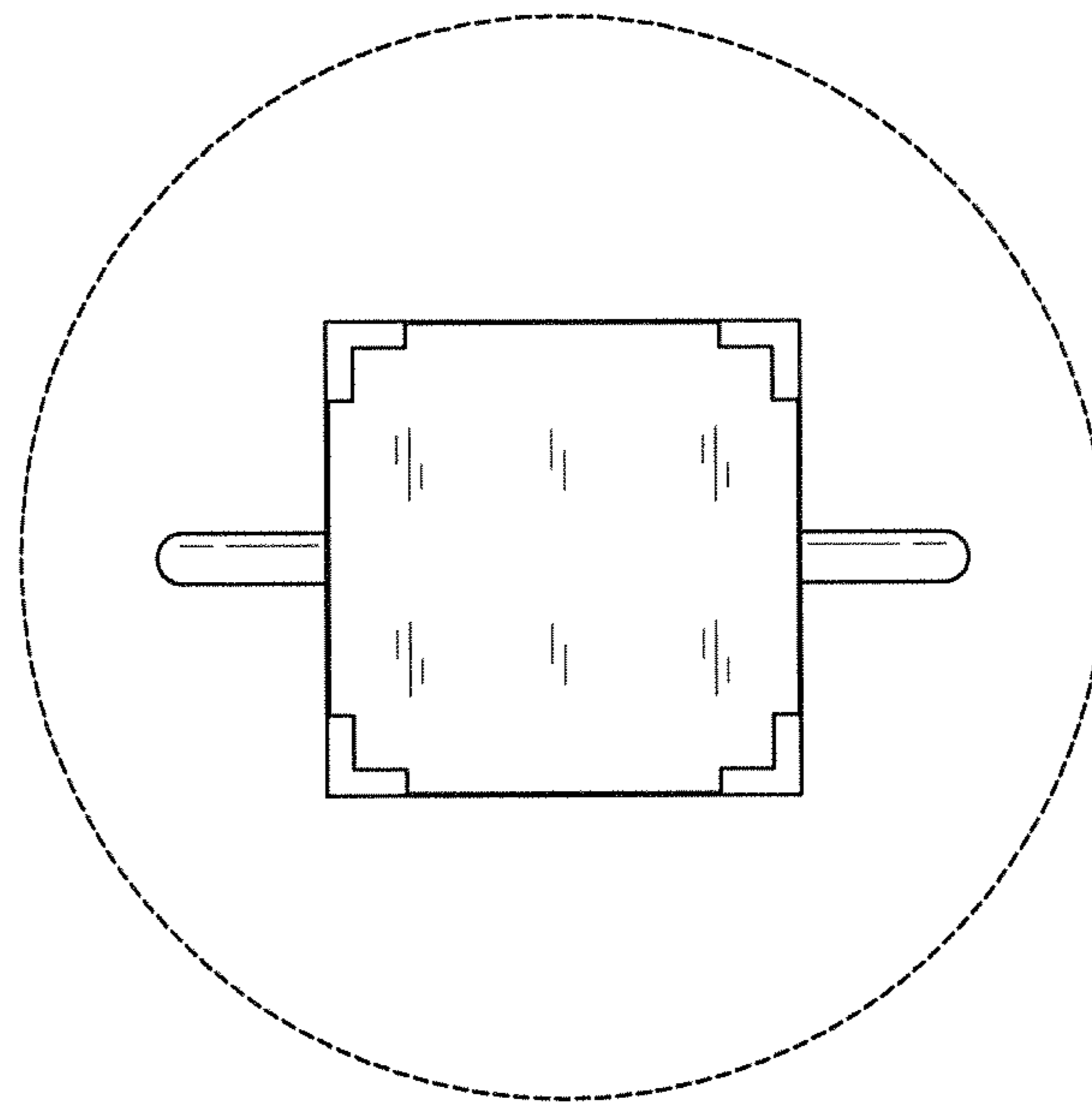


FIG. 5