



US00D756016S

(12) **United States Design Patent**
Hargreaves

(10) **Patent No.:** **US D756,016 S**
(45) **Date of Patent:** **** May 10, 2016**

- (54) **HORTICULTURE GROW LIGHT HOUSING**
- (71) Applicant: **IP Holdings, LLC**, Vancouver, WA (US)
- (72) Inventor: **Doug Hargreaves**, Vancouver, WA (US)
- (**) Term: **14 Years**
- (21) Appl. No.: **29/483,617**
- (22) Filed: **Feb. 28, 2014**
- (51) **LOC (10) Cl.** **26-03**
- (52) **U.S. Cl.**
USPC **D26/79**
- (58) **Field of Classification Search**
USPC D26/76, 78, 79, 80, 81, 82, 83, 85, 86,
D26/88, 90, 113, 118, 119, 120, 121, 122,
D26/138, 139, 140, 141, 142
CPC F21S 2/00; F21S 4/00; F21S 4/003;
F21S 4/005; F21S 4/006; F21S 4/007; F21S
4/008; F21S 6/00; F21S 8/00; F21S 8/024;
F21S 8/026; F21S 8/031; F21S 8/033; F21S
8/035-8/037; F21S 8/04; F21S 8/043; F21S
8/063
See application file for complete search history.

D186,329 S	10/1959	Guth
D187,337 S	3/1960	Arnold
D198,183 S	5/1964	Akely
D202,648 S	10/1965	Meyer
3,836,765 A	9/1974	Ritzow
3,860,829 A	1/1975	Fabbri
D259,738 S	6/1981	Boschetti
4,342,072 A	7/1982	Guritz
D277,416 S	1/1985	Brown
D311,597 S	10/1990	Poot
5,025,356 A	6/1991	Gawad
D323,897 S	2/1992	Compton
5,089,940 A	2/1992	Lanzarone

(Continued)

Primary Examiner — George D Kirschbaum
Assistant Examiner — Natasha Vujcic
(74) *Attorney, Agent, or Firm* — J. Douglas Wells

(57) **CLAIM**
The ornamental design for a horticulture grow light housing, as shown and described.

DESCRIPTION

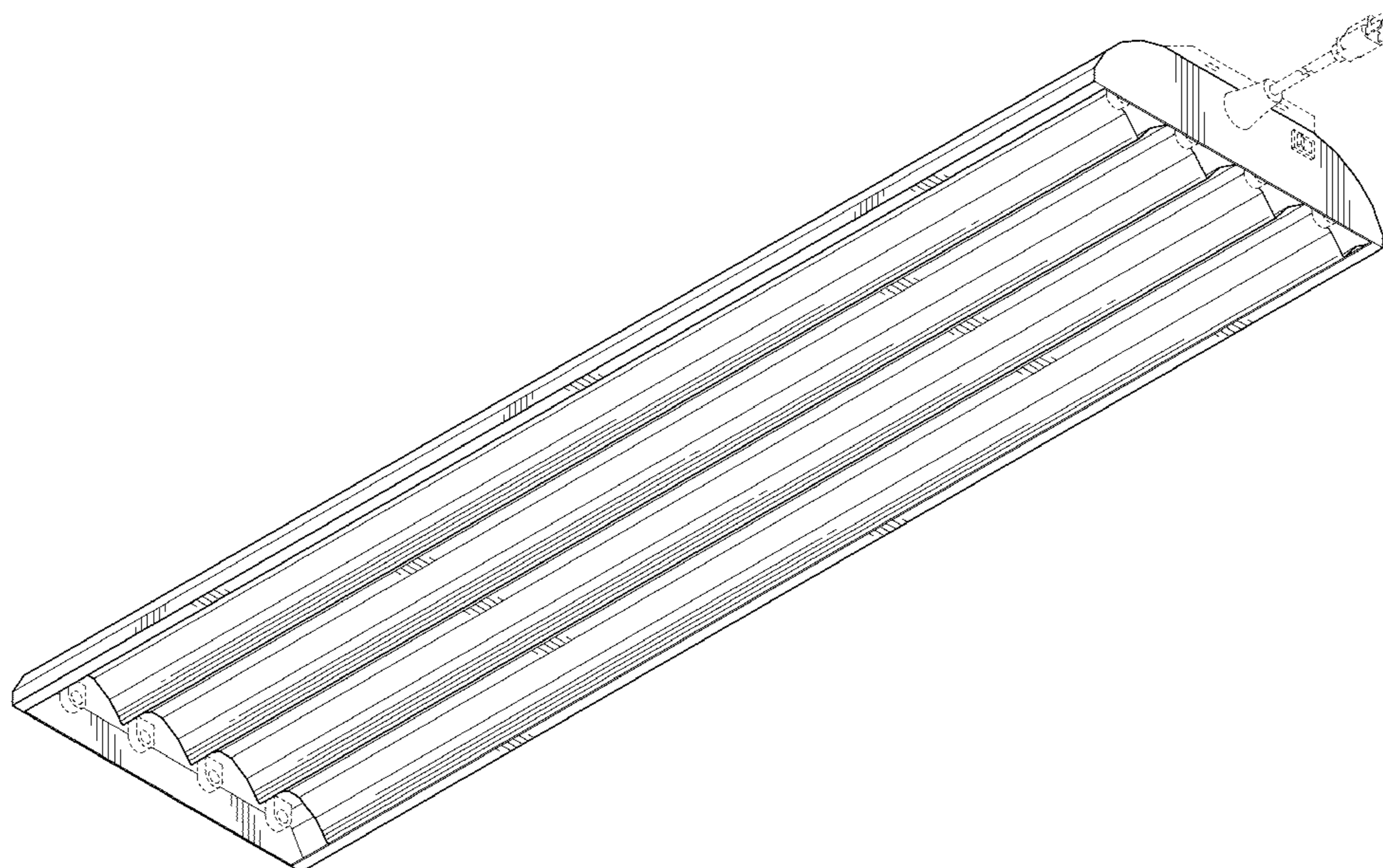
FIG. 1 is a perspective view of a horticulture grow light housing, as viewed from below, showing my new design; FIG. 2 is a perspective view of the fixture shown in FIG. 1, as viewed from above; FIG. 3 is a left side view of the fixture shown in FIG. 1; FIG. 4 is a right side view of the fixture shown in FIG. 1; FIG. 5 is a front elevation view of the fixture shown in FIG. 1; FIG. 6 is a rear elevation view of the fixture shown in FIG. 1; FIG. 7 is a top plan view of the fixture shown in FIG. 1; and, FIG. 8 is a bottom plan view of the fixture shown in FIG. 1. The broken lines in the drawings illustrate portions of the horticulture grow light housing which form no part of the claimed design.

1 Claim, 4 Drawing Sheets

(56) **References Cited**

U.S. PATENT DOCUMENTS

1,410,945 A	3/1922	Walker	
D123,768 S	12/1940	Scribner	
D125,001 S	2/1941	Klingsick	
D128,049 S	7/1941	Kurtz	
D133,216 S	7/1942	Parlato	
2,327,552 A	7/1943	Poehling	
2,379,798 A	10/1945	Guth	
D147,812 S *	11/1947	Picker D26/78
D180,533 S	6/1957	Stevens	
2,899,541 A	8/1959	De Mauro	



(56)

References Cited

U.S. PATENT DOCUMENTS

5,113,328 A	5/1992	Foster	
5,195,822 A	3/1993	Takahashi	
D344,605 S	2/1994	Aspenwall	
D349,358 S	8/1994	Herst	
D352,126 S	11/1994	Ruud	
D361,393 S	8/1995	Vakil	
5,440,470 A	8/1995	Ly	
5,479,327 A	12/1995	Chen	
D375,180 S	10/1996	Lyons	
D376,437 S	12/1996	Karlo	
D383,560 S	9/1997	Palmer	
D391,382 S	2/1998	Rahn	
D399,328 S	10/1998	Compton	
D400,289 S	10/1998	Wardenburg	
D405,907 S	2/1999	Herst	
D415,304 S	10/1999	Brown	
D417,303 S	11/1999	Rahn	
D418,626 S	1/2000	Herst	
6,024,468 A	2/2000	Kassay	
D428,516 S	7/2000	Reo	
D430,688 S	9/2000	Plunk	
D431,876 S	10/2000	Lewis	
D445,943 S	7/2001	Littman	
D446,333 S	8/2001	Frois	
D447,266 S *	8/2001	Verfuert	D26/76
6,299,327 B1	10/2001	Camarota	
D456,551 S	4/2002	Russello	
D456,552 S	4/2002	Russello	
D456,553 S	4/2002	Russello	
D456,927 S	5/2002	Russello	
D456,928 S	5/2002	Russello	
D456,938 S	5/2002	Wardenburg	
D465,869 S *	11/2002	Bodell	D26/78
6,527,422 B1	3/2003	Hutchison	
6,595,662 B2	7/2003	Wardenburg	
D497,026 S	10/2004	Hand	
D499,504 S *	12/2004	Meyer	D26/76
6,908,212 B2	6/2005	Schultz	
D520,173 S *	5/2006	Plunk	D26/78
D521,172 S	5/2006	Chen	
D542,460 S	5/2007	Hargreaves	
D543,651 S	5/2007	Hargreaves	
D543,653 S	5/2007	Hargreaves	
D543,654 S	5/2007	Hargreaves	
D544,129 S	6/2007	Hargreaves	
D544,130 S	6/2007	Hargreaves	
D544,626 S *	6/2007	Hargreaves	D26/78
D544,980 S	6/2007	Hargreaves	
D544,981 S	6/2007	Hargreaves	
D544,982 S	6/2007	Hargreaves	
D544,985 S	6/2007	Hargreaves	
D545,475 S	6/2007	Hargreaves	
D592,786 S *	5/2009	Bisberg	D26/76
7,784,966 B2 *	8/2010	Verfuert	F21S 8/06 362/217.08
8,136,958 B2 *	3/2012	Verfuert	F21V 15/01 362/148
D675,365 S *	1/2013	Beghelli	D26/78
D704,372 S *	5/2014	Speier	D26/76
D723,206 S *	2/2015	Lewis, Jr.	D26/76
8,960,950 B2 *	2/2015	Risley, Sr.	F21S 8/04 362/217.13
2002/0141195 A1	10/2002	Wardenburg	
2007/0211457 A1 *	9/2007	Mayfield, III	F21S 8/02 362/223

* cited by examiner

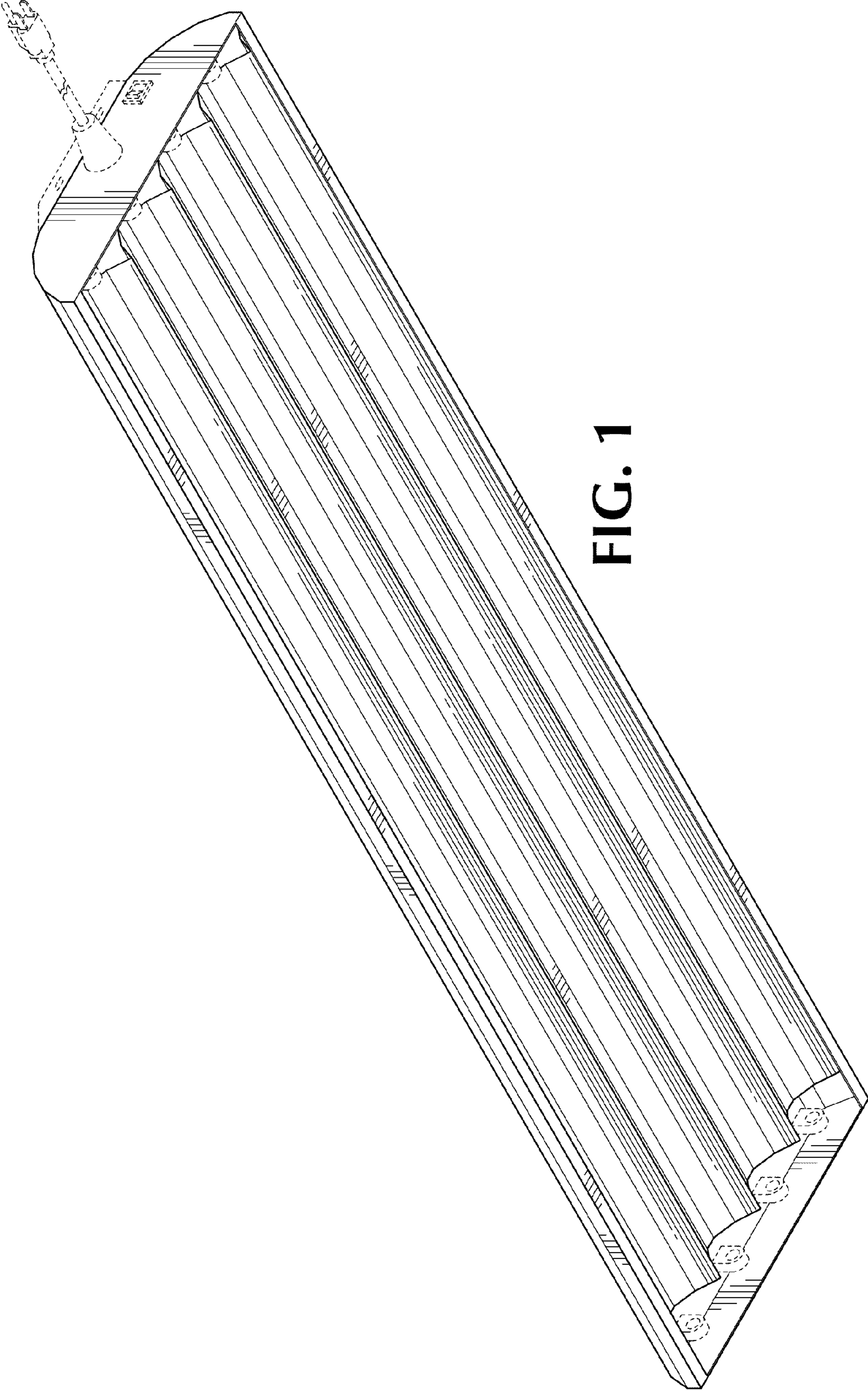


FIG. 1

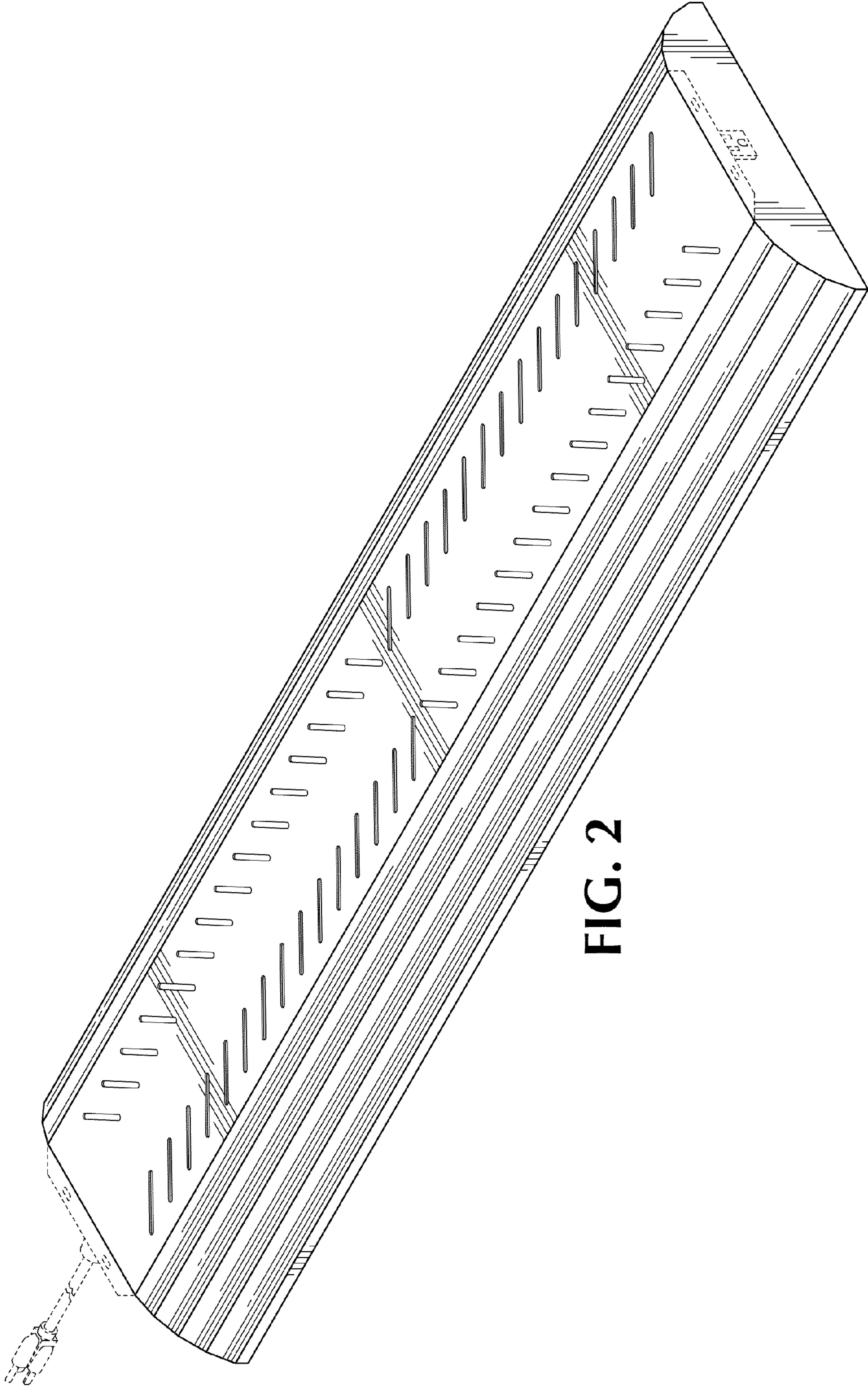


FIG. 2

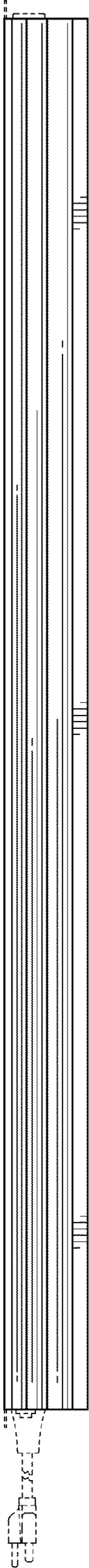


FIG. 3

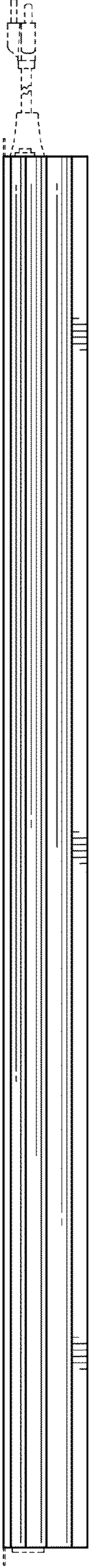


FIG. 4

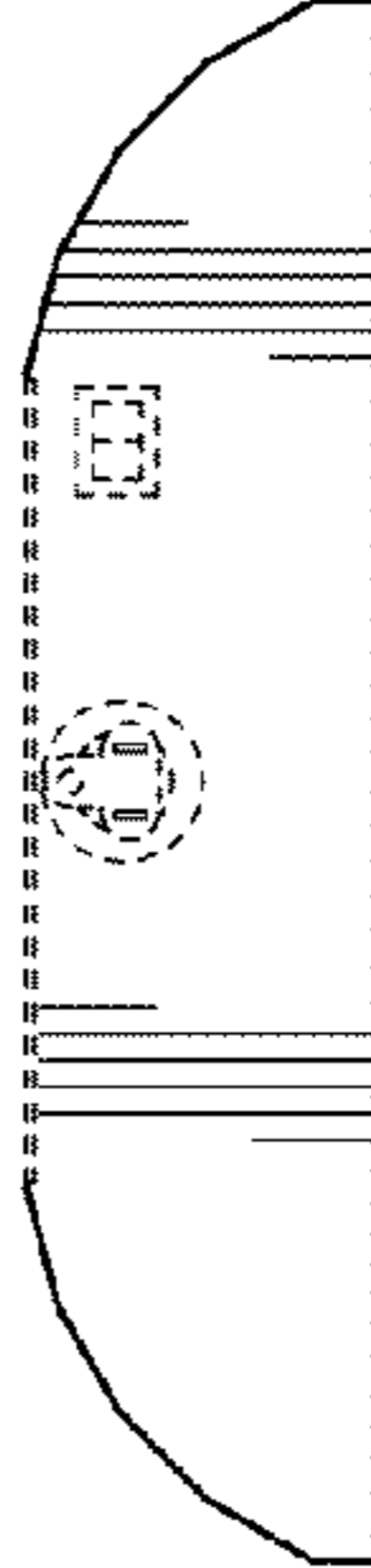


FIG. 5

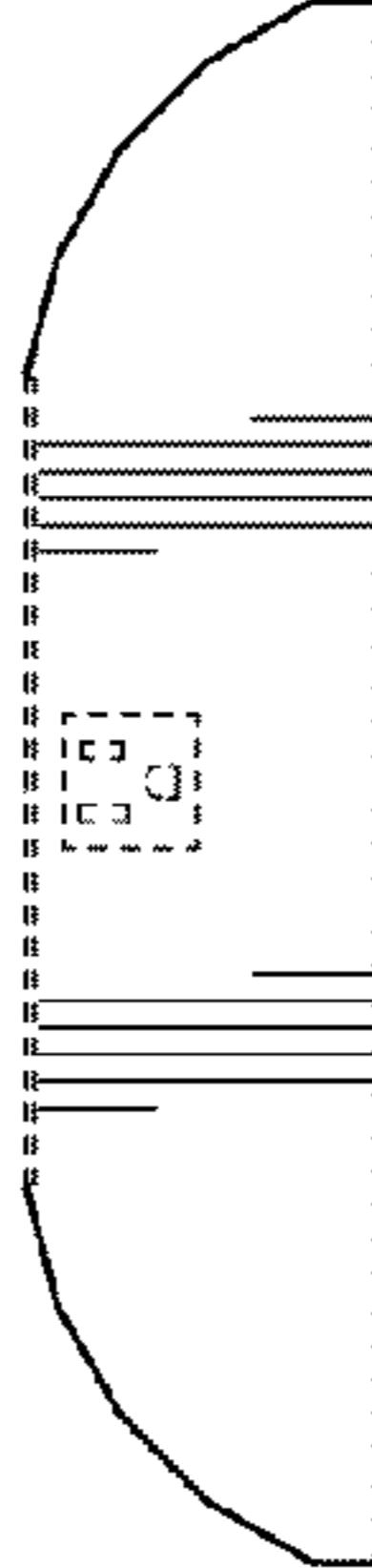


FIG. 6

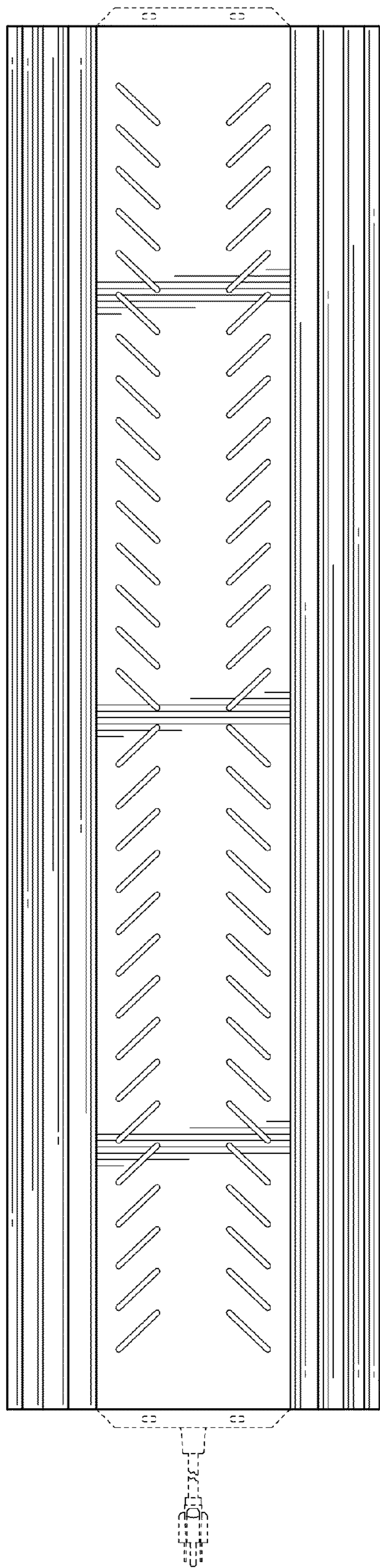


FIG. 7

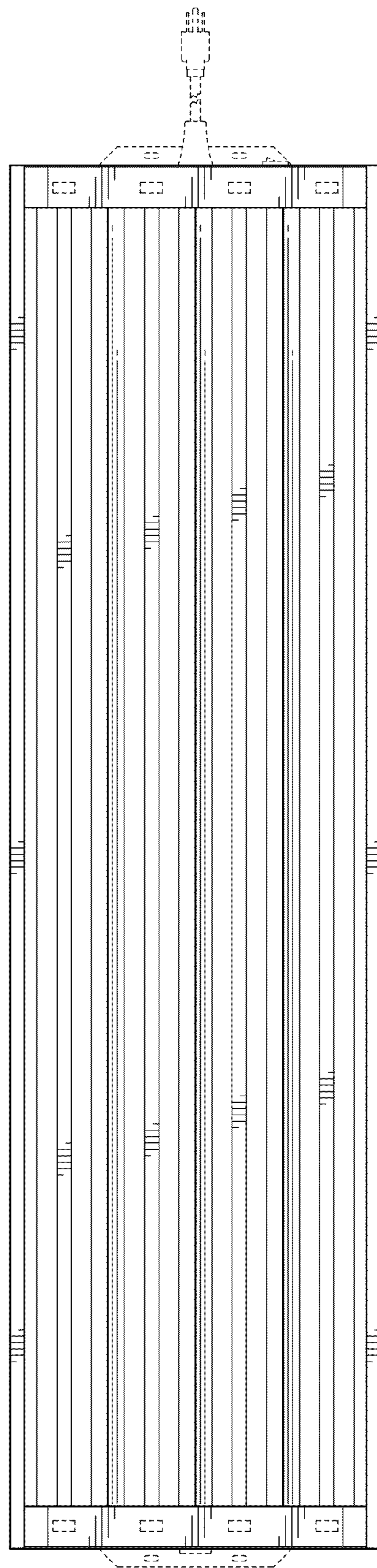


FIG. 8