



US00D756014S

(12) **United States Design Patent**
Bao

(10) **Patent No.:** **US D756,014 S**

(45) **Date of Patent:** **** May 10, 2016**

(54) **WORKING LAMP**

(71) Applicant: **Yuyao Yuchang Electrical Appliance Co., Ltd., Yuyao (CN)**

(72) Inventor: **Yong Bao, Yuyao (CN)**

(73) Assignee: **Yuyao Yuchang Electrical Appliance Co., Ltd., Yuyao (TW)**

(**) Term: **14 Years**

(21) Appl. No.: **29/510,012**

(22) Filed: **Nov. 24, 2014**

(30) **Foreign Application Priority Data**

Oct. 30, 2014 (CN) 2014 3 0420898

(51) **LOC (10) Cl.** **26-03**

(52) **U.S. Cl.**
USPC **D26/65**

(58) **Field of Classification Search**
USPC D26/24, 37, 42, 61, 65
CPC F21L 4/00; F21L 4/005; F21L 4/022;
F21L 4/025; F21L 4/027; F21L 7/00; F21L
19/00; F21V 21/084; F21V 21/0085; F21W
2111/10

See application file for complete search history.

(56) **References Cited**

U.S. PATENT DOCUMENTS

D651,731 S *	1/2012	Xu	D26/37
D661,417 S *	6/2012	Kung	D26/42
D708,376 S *	7/2014	Crowe	D26/37
D750,303 S *	2/2016	Levy	D26/37

* cited by examiner

Primary Examiner — Brian N Vinson

(74) *Attorney, Agent, or Firm* — Wang Law Firm, Inc.

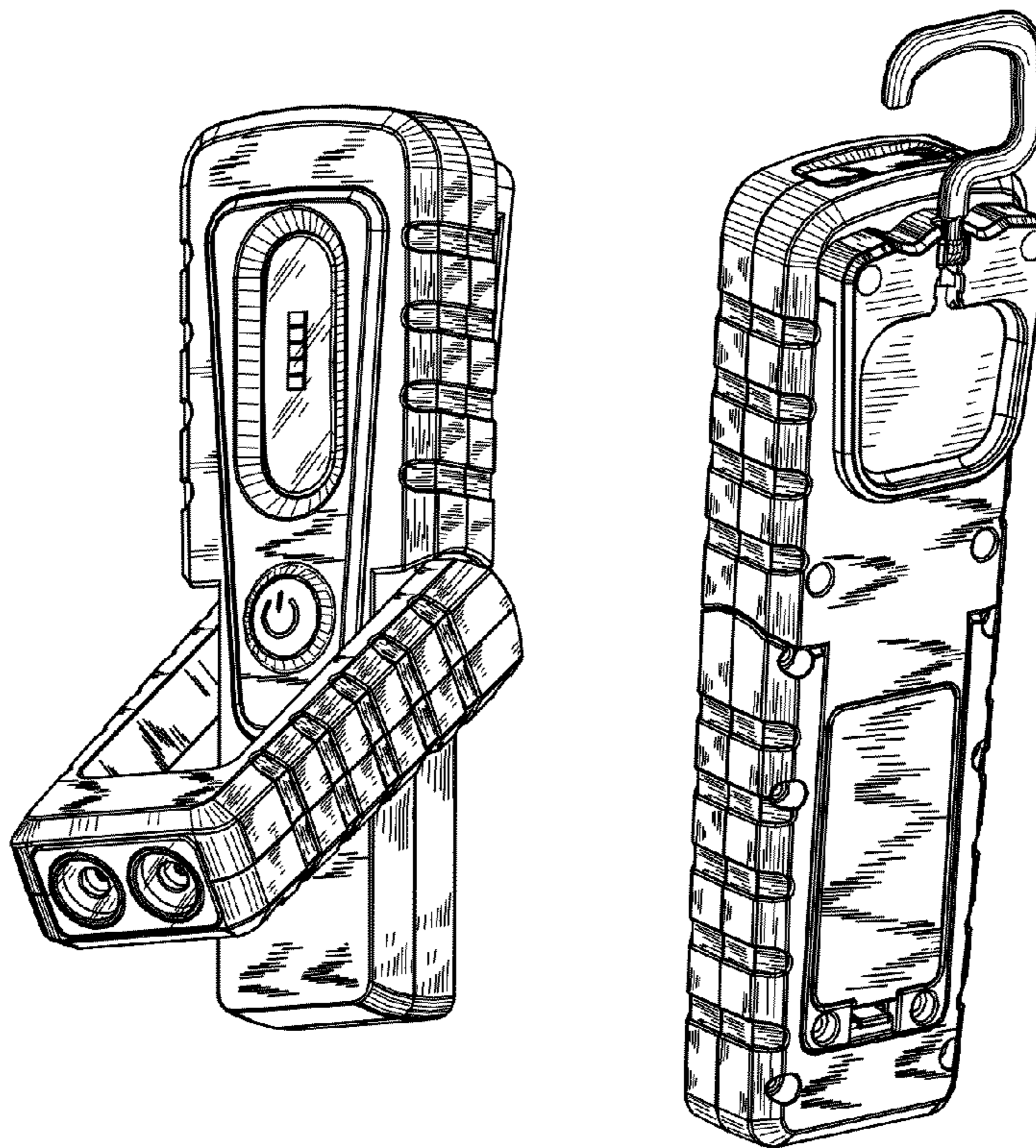
(57) **CLAIM**

The ornamental design for a working lamp, as shown and described.

DESCRIPTION

FIG. 1 is a left view of my new invention;
FIG. 2 is a front view;
FIG. 3 is a right view;
FIG. 4 is a top view;
FIG. 5 is a bottom view;
FIG. 6 is a rear view;
FIG. 7 is a front perspective view;
FIG. 8 is a front perspective view with a pivoting stand swung forward;
FIG. 9 is a front perspective view with the pivoting stand swung backward; and,
FIG. 10 is a rear perspective view with an attachment hook.

1 Claim, 5 Drawing Sheets



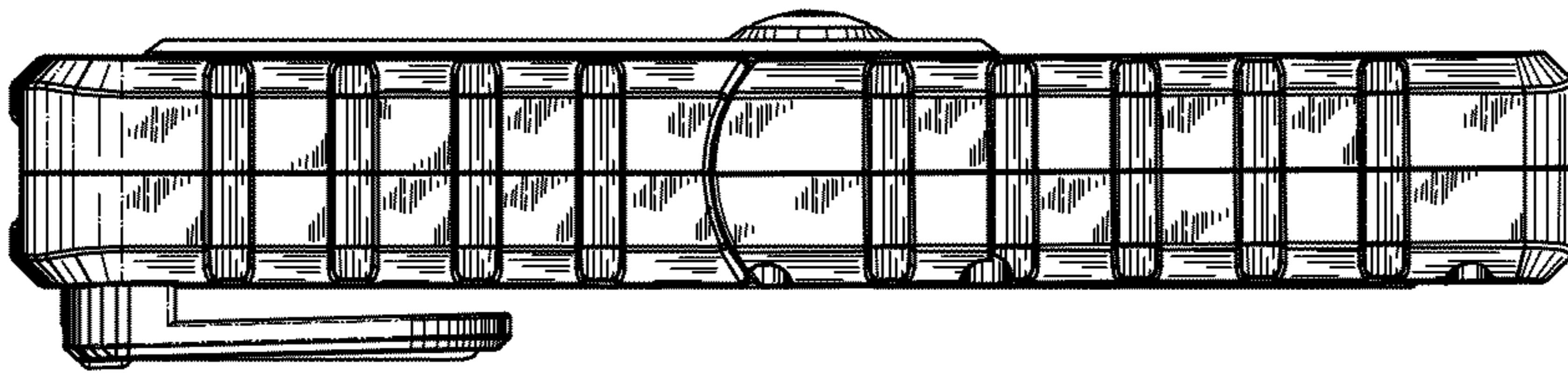


FIG. 2

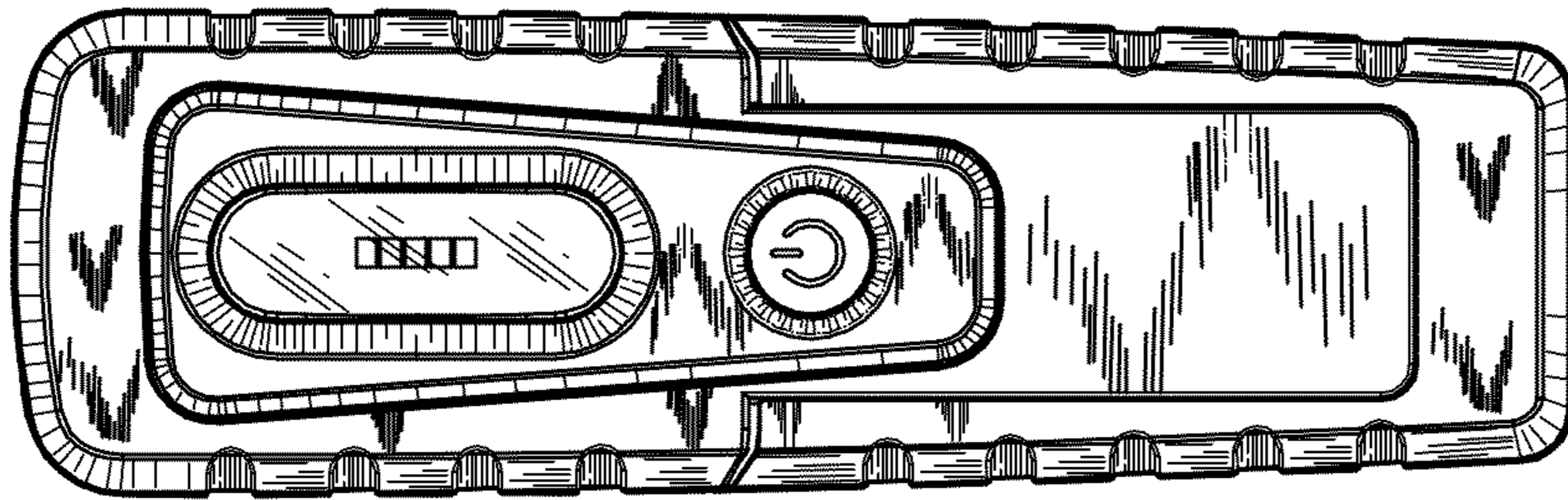


FIG. 1

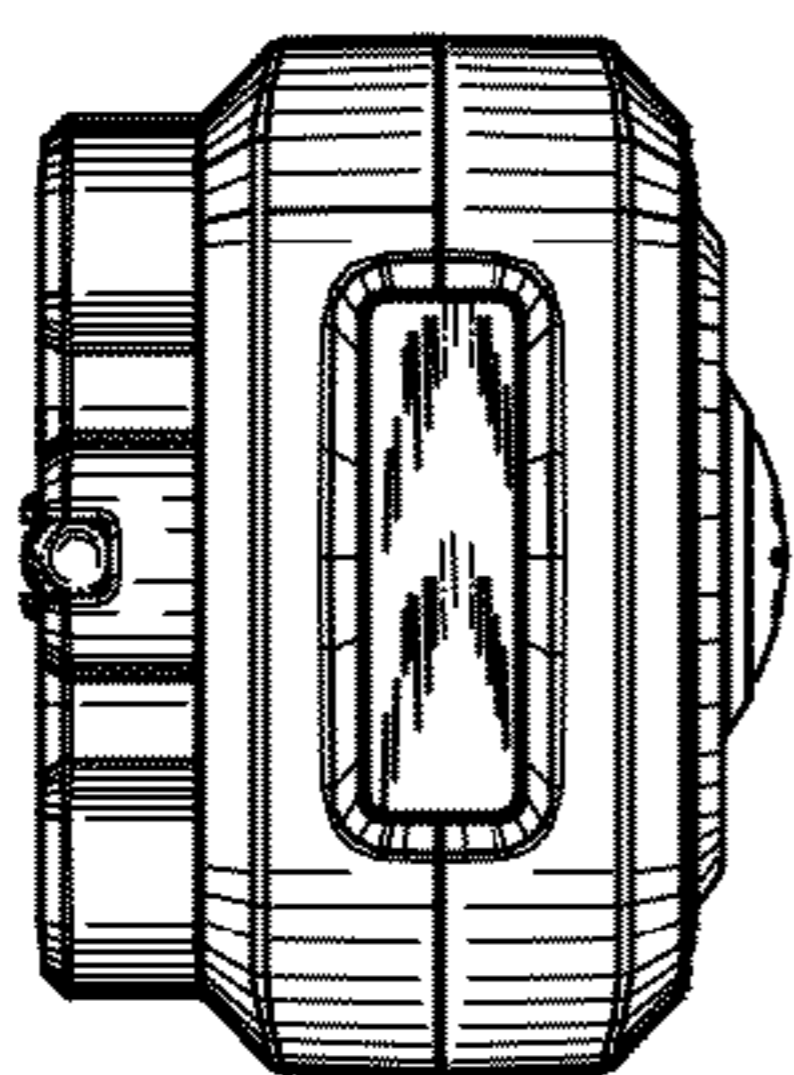


FIG.4

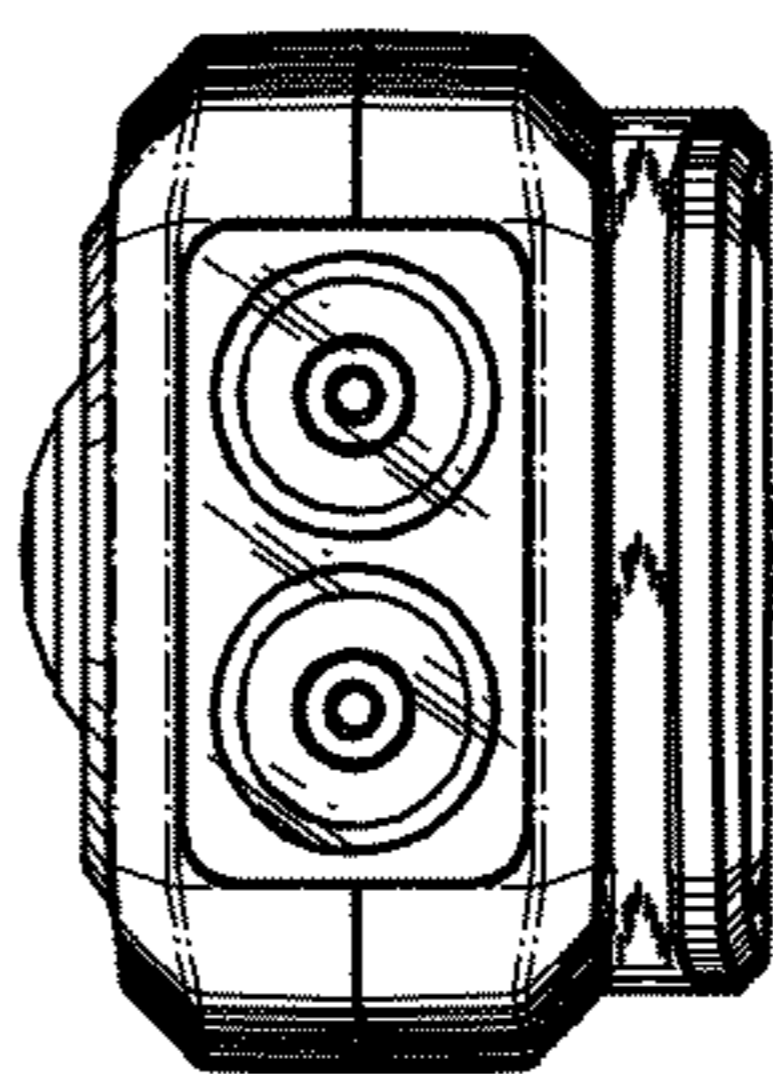


FIG.5

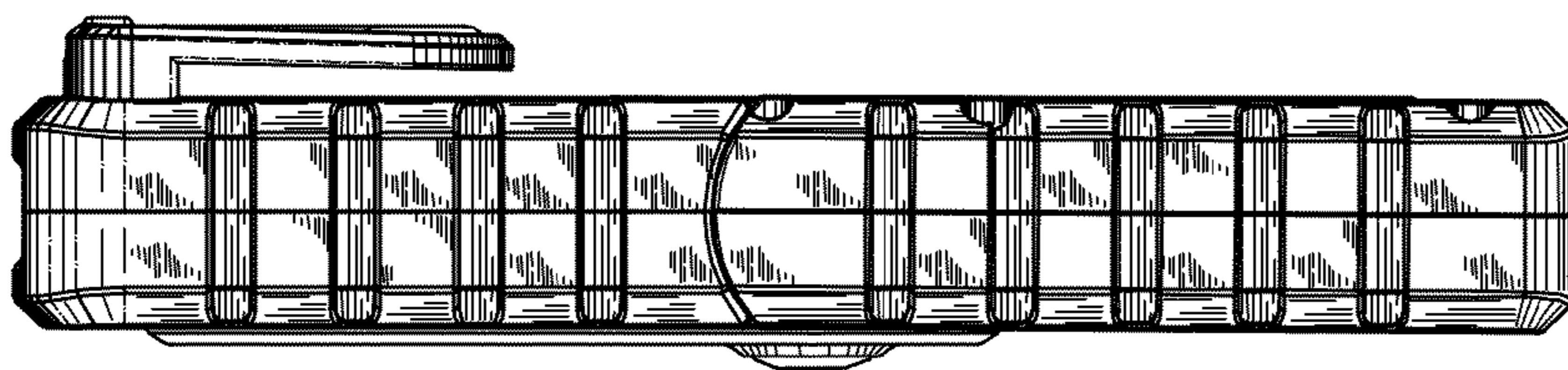


FIG.3

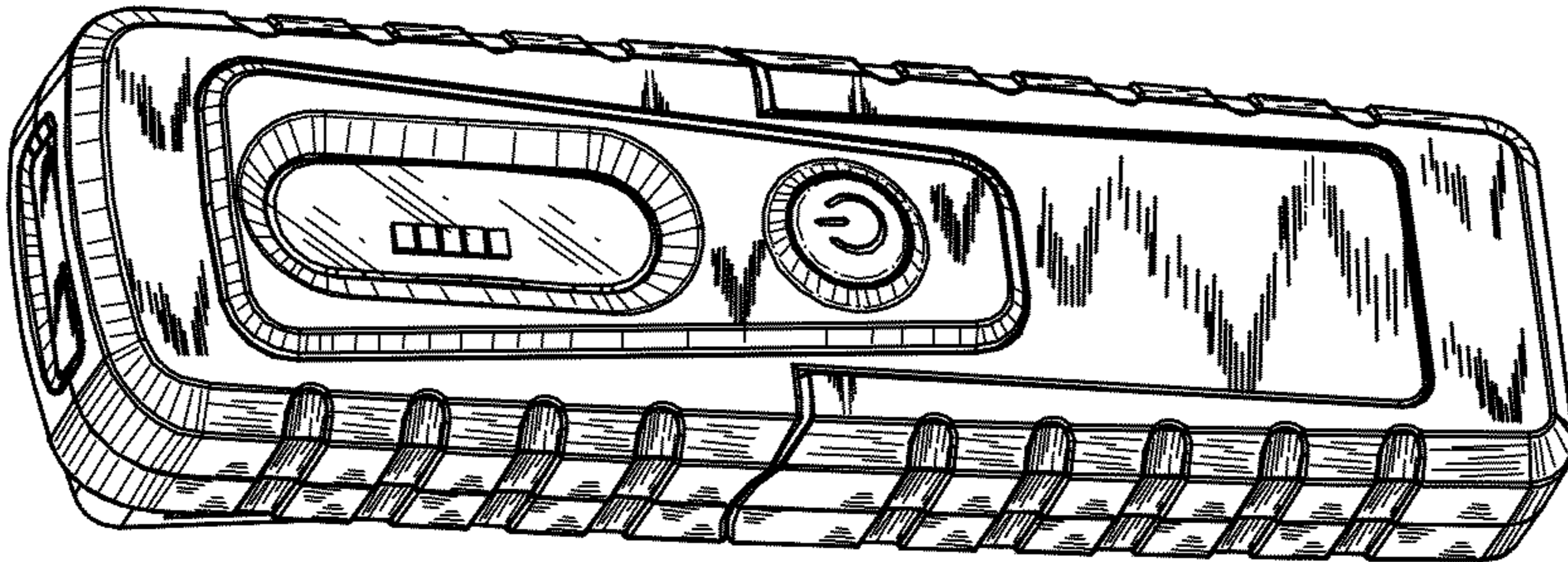


FIG. 7

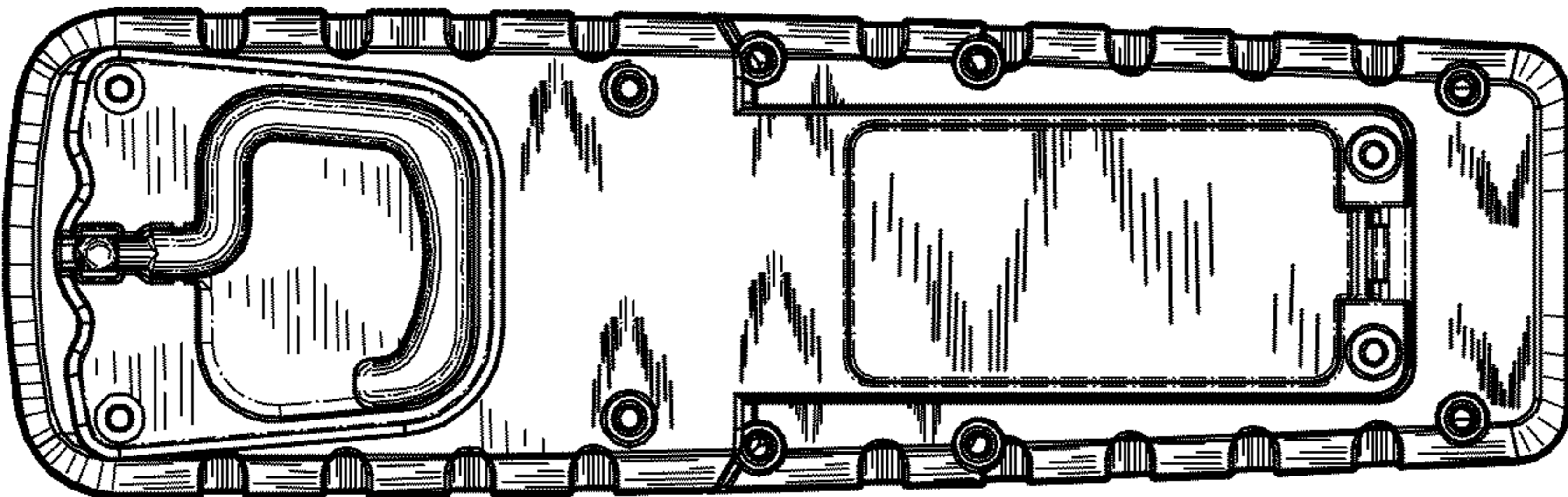


FIG. 6

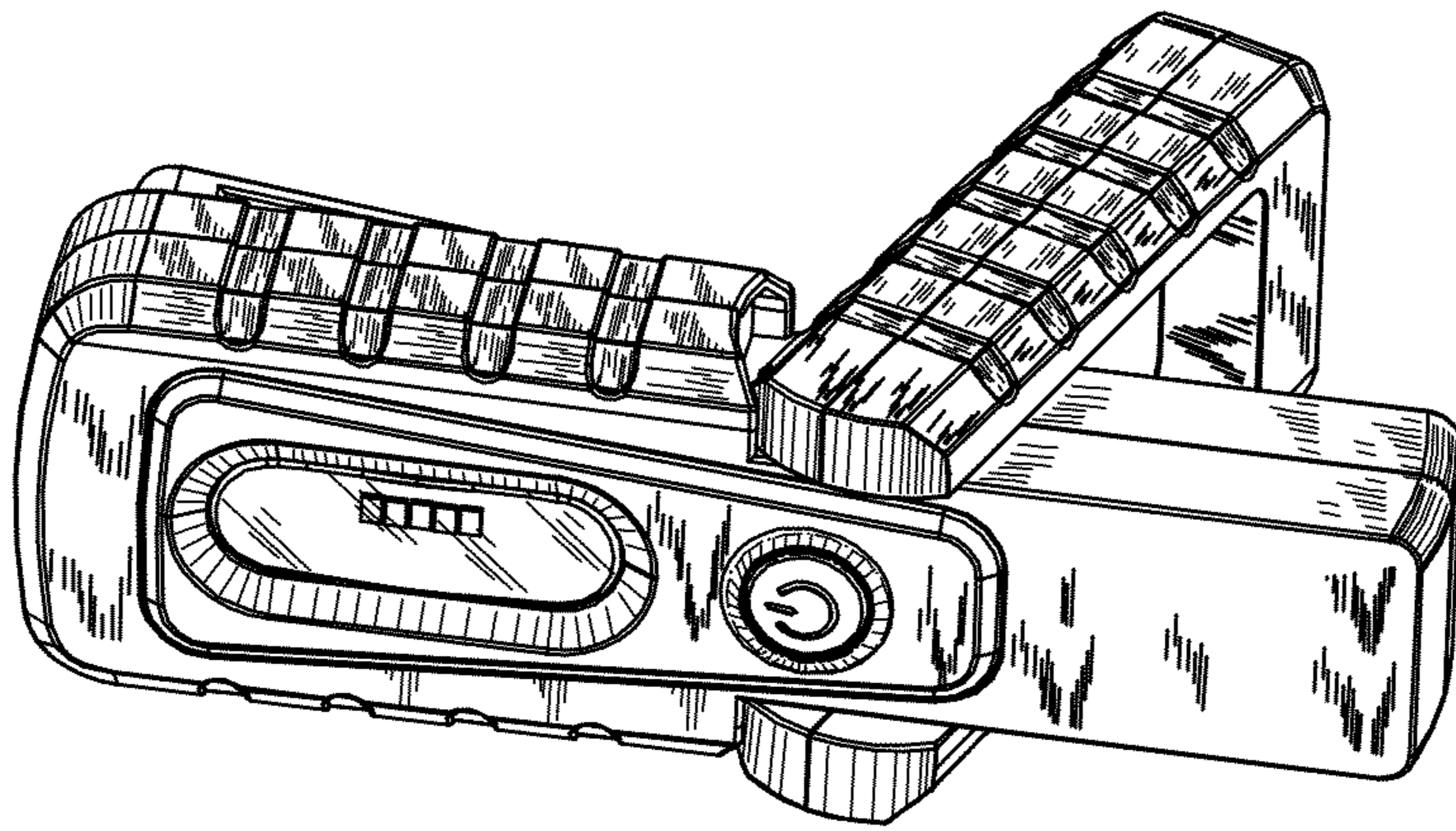


FIG. 9

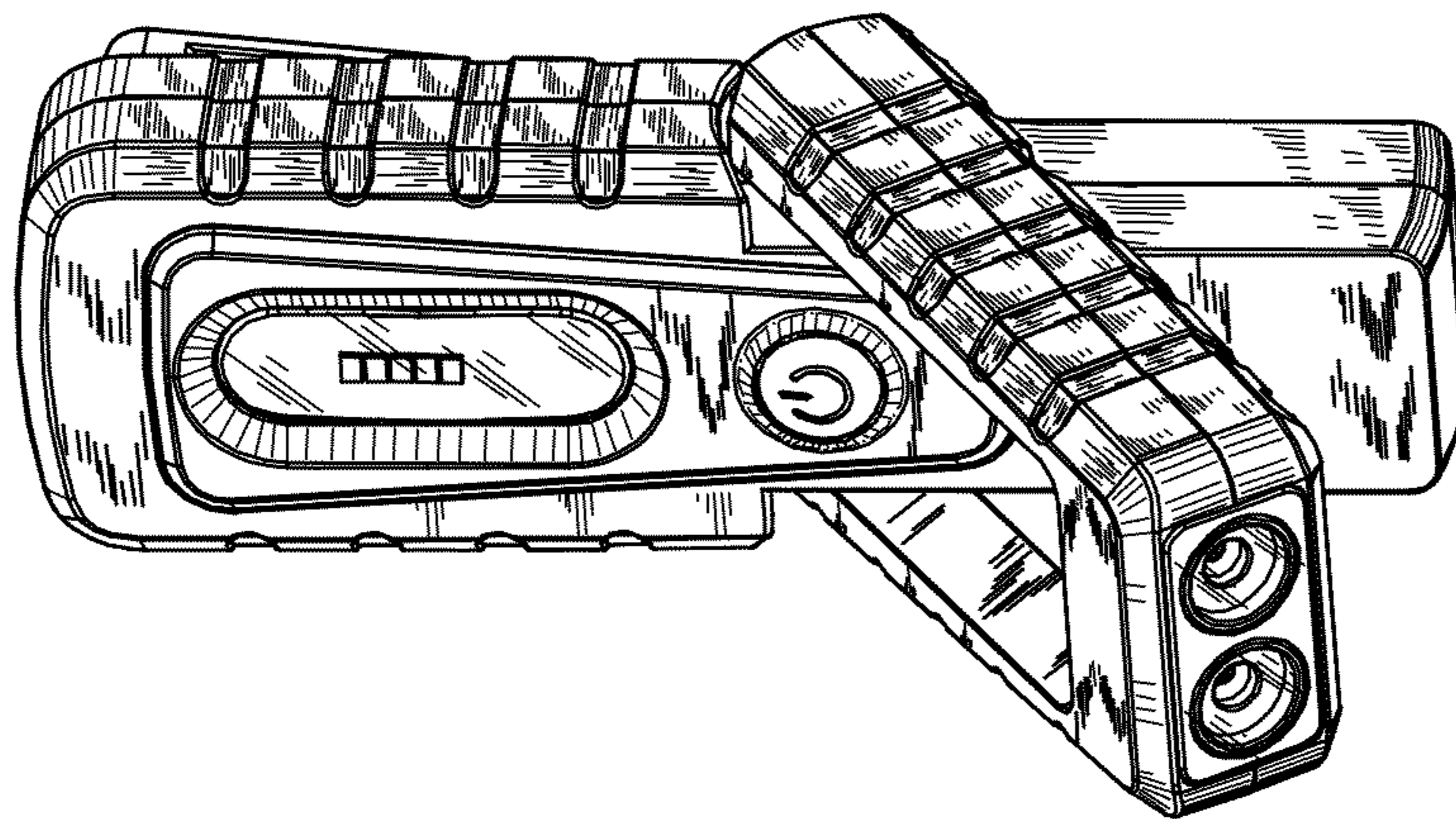


FIG. 8

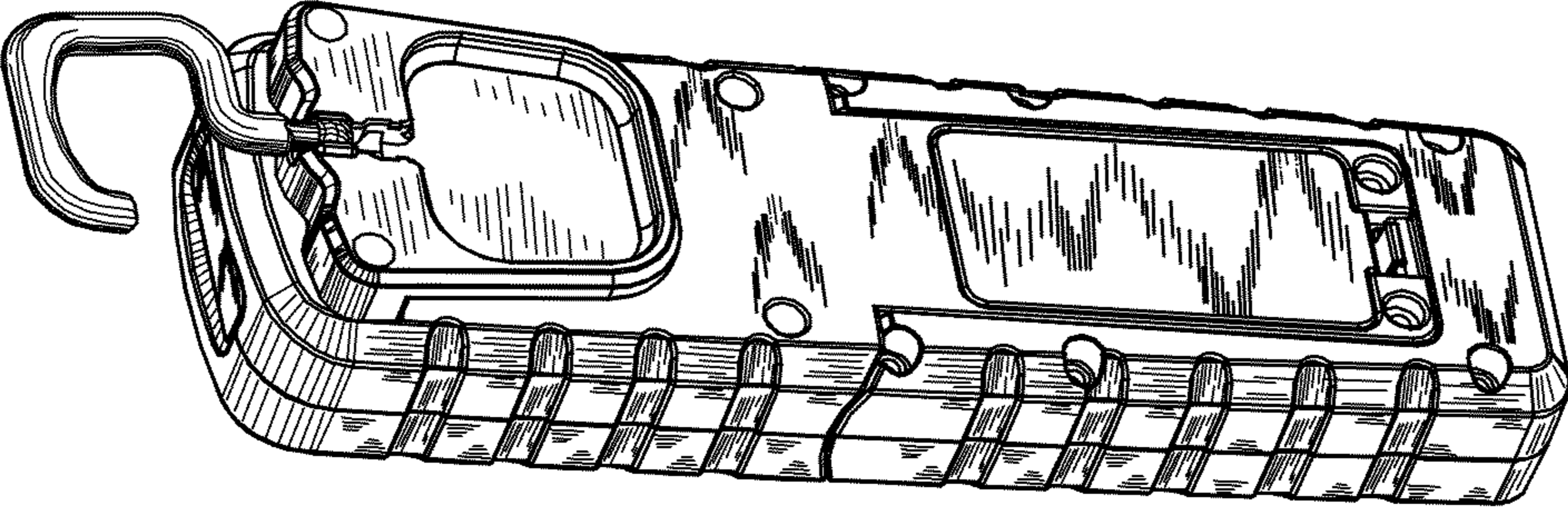


FIG.10