



US00D756011S

(12) **United States Design Patent**
Nojima et al.

(10) **Patent No.:** **US D756,011 S**
(45) **Date of Patent:** **** *May 10, 2016**

(54) **CAMERA LIGHT**

(75) Inventors: **Akira Nojima**, Tokyo (JP); **Junichi Oshima**, Zushi (JP)

(73) Assignee: **Nikon Corporation**, Tokyo (JP)

(*) Notice: This patent is subject to a terminal disclaimer.

(**) Term: **14 Years**

(21) Appl. No.: **29/415,429**

(22) Filed: **Mar. 9, 2012**

(30) **Foreign Application Priority Data**

Sep. 16, 2011 (JP) 2011-021237

(51) **LOC (10) CL.** **26-02**

(52) **U.S. CL.**
USPC **D26/51; D16/219**

(58) **Field of Classification Search**

USPC D26/37, 38, 44, 45, 46, 48, 49, 51, 52;
362/157, 158, 183, 184, 194-196,
362/200-208, 253; D16/208, 219, 235
CPC H04N 2101/00; F21L 2/00; F21L 4/00;
F21L 4/005; F21L 17/00; F21L 13/08; H04M
2250/20; F21Y 2101/00; F21V 21/30; F21V
21/406; F21W 2131/406; F21W 2131/407;
A61M 1/1008; F16L 49/02

See application file for complete search history.

(56) **References Cited**

U.S. PATENT DOCUMENTS

| | | | |
|--------------|---------|-----------------------|---------|
| D296,477 S * | 6/1988 | Powell et al. | D26/46 |
| D349,970 S * | 8/1994 | Chien et al. | D26/38 |
| D529,212 S * | 9/2006 | Yuen | D26/37 |
| D541,451 S * | 4/2007 | Leung | D26/38 |
| D576,651 S * | 9/2008 | Willis et al. | D16/208 |
| D576,652 S * | 9/2008 | Willis | D16/208 |
| D595,328 S * | 6/2009 | Kim et al. | D16/219 |
| D609,377 S * | 2/2010 | Taiga | D26/60 |
| D643,138 S * | 8/2011 | Kawase et al. | D26/37 |
| D647,934 S * | 11/2011 | Raken et al. | D16/202 |
| D657,484 S * | 4/2012 | Wu | D26/46 |
| D703,355 S * | 4/2014 | Kotsis | D26/37 |
| D713,076 S * | 9/2014 | von Waldthausen | D26/37 |

* cited by examiner

Primary Examiner — Ian Simmons

Assistant Examiner — Carissa C Fitts

(74) *Attorney, Agent, or Firm* — Wolf, Greenfield & Sacks, P.C.

(57) **CLAIM**

The ornamental design for a camera light, as shown and described.

DESCRIPTION

FIG. 1 is a front perspective view of a camera light showing our new design;
FIG. 2 is a front view thereof;
FIG. 3 is a rear view thereof;
FIG. 4 is a top plan view thereof;
FIG. 5 is a bottom plan view thereof;
FIG. 6 is a right side view thereof; and,
FIG. 7 is a left side view thereof.
The broken lines shown represent unclaimed portions of the article and form no part of the claimed design.

1 Claim, 7 Drawing Sheets

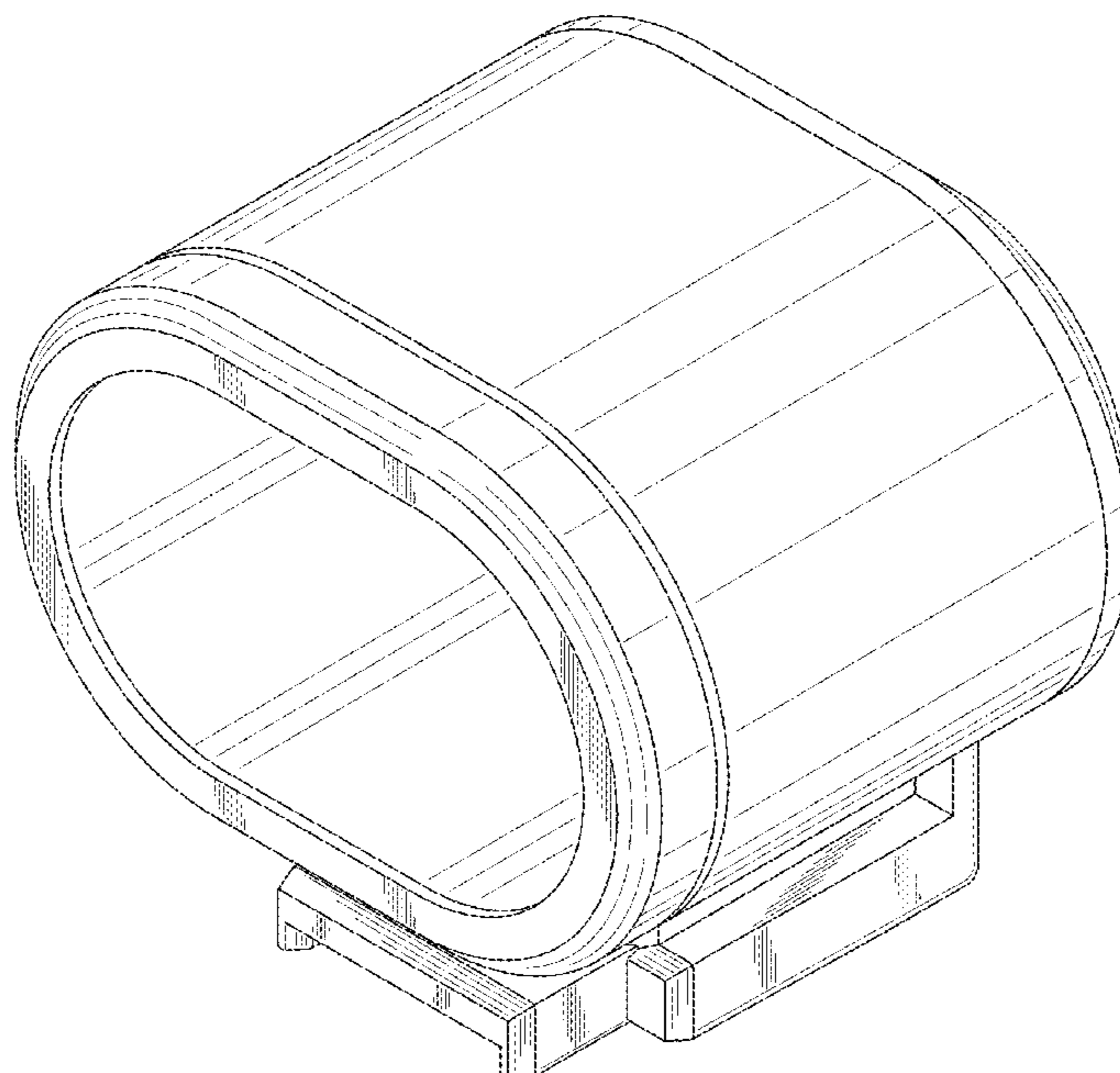


FIG. 1

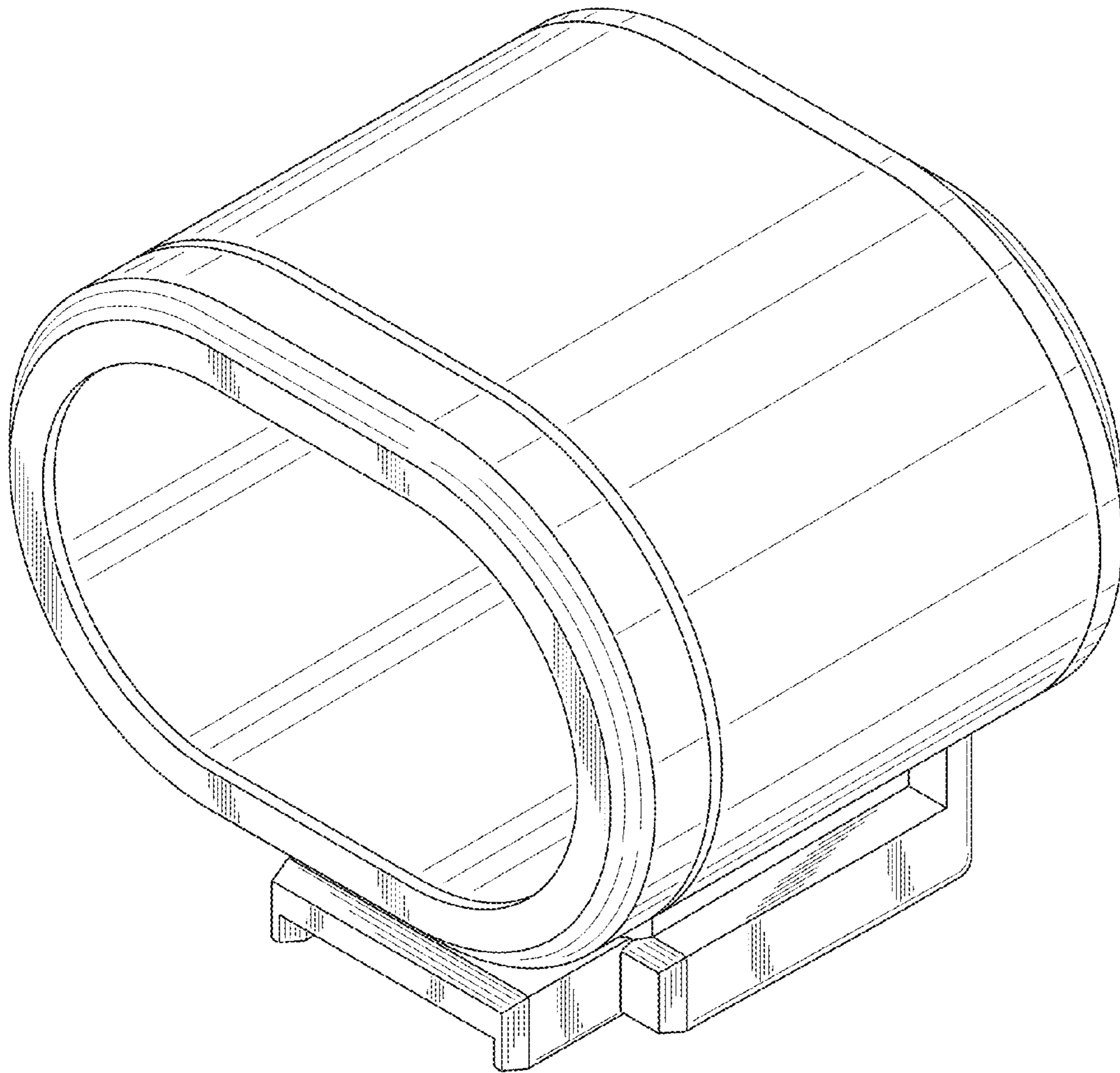


FIG. 2

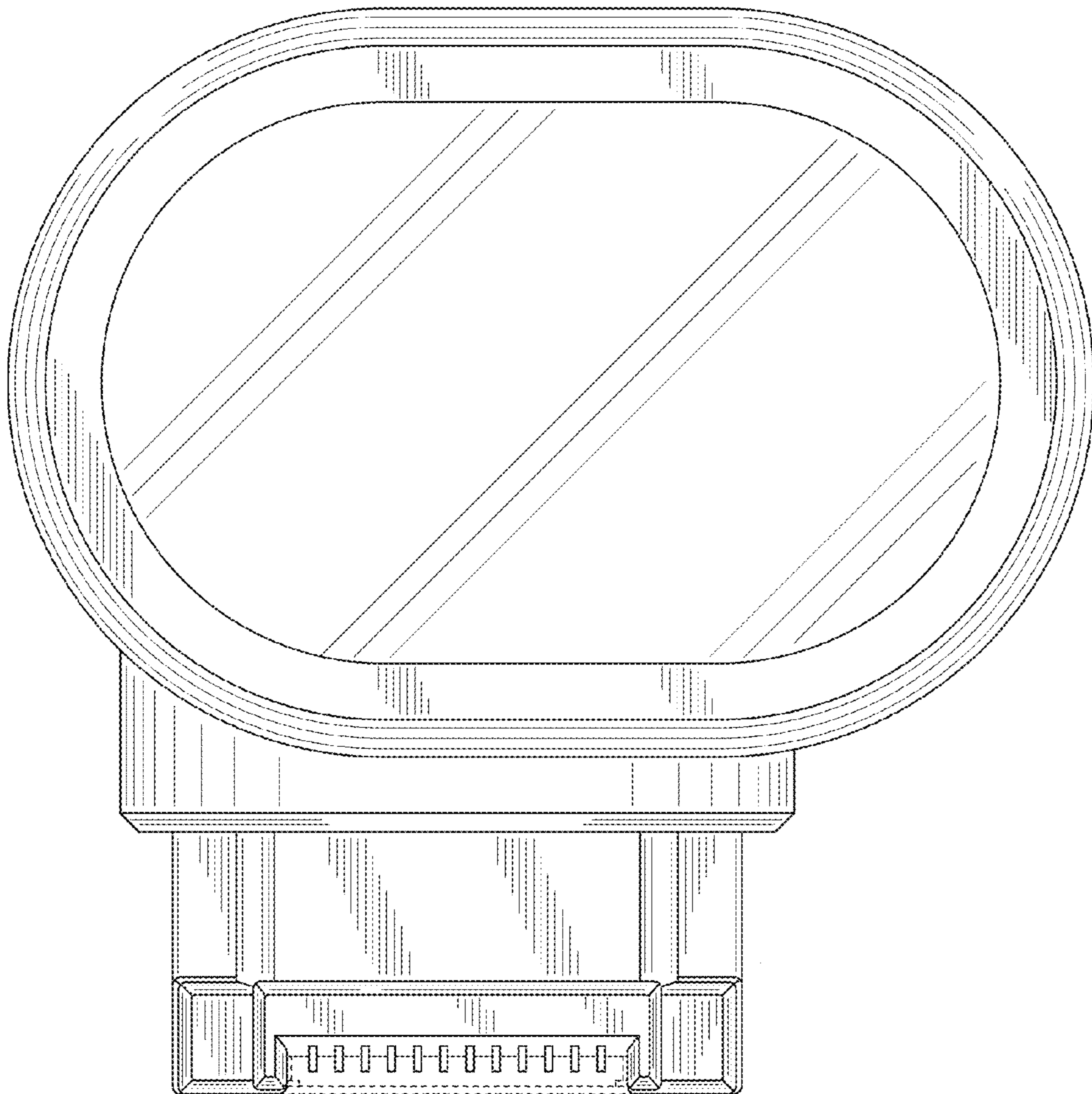


FIG. 3

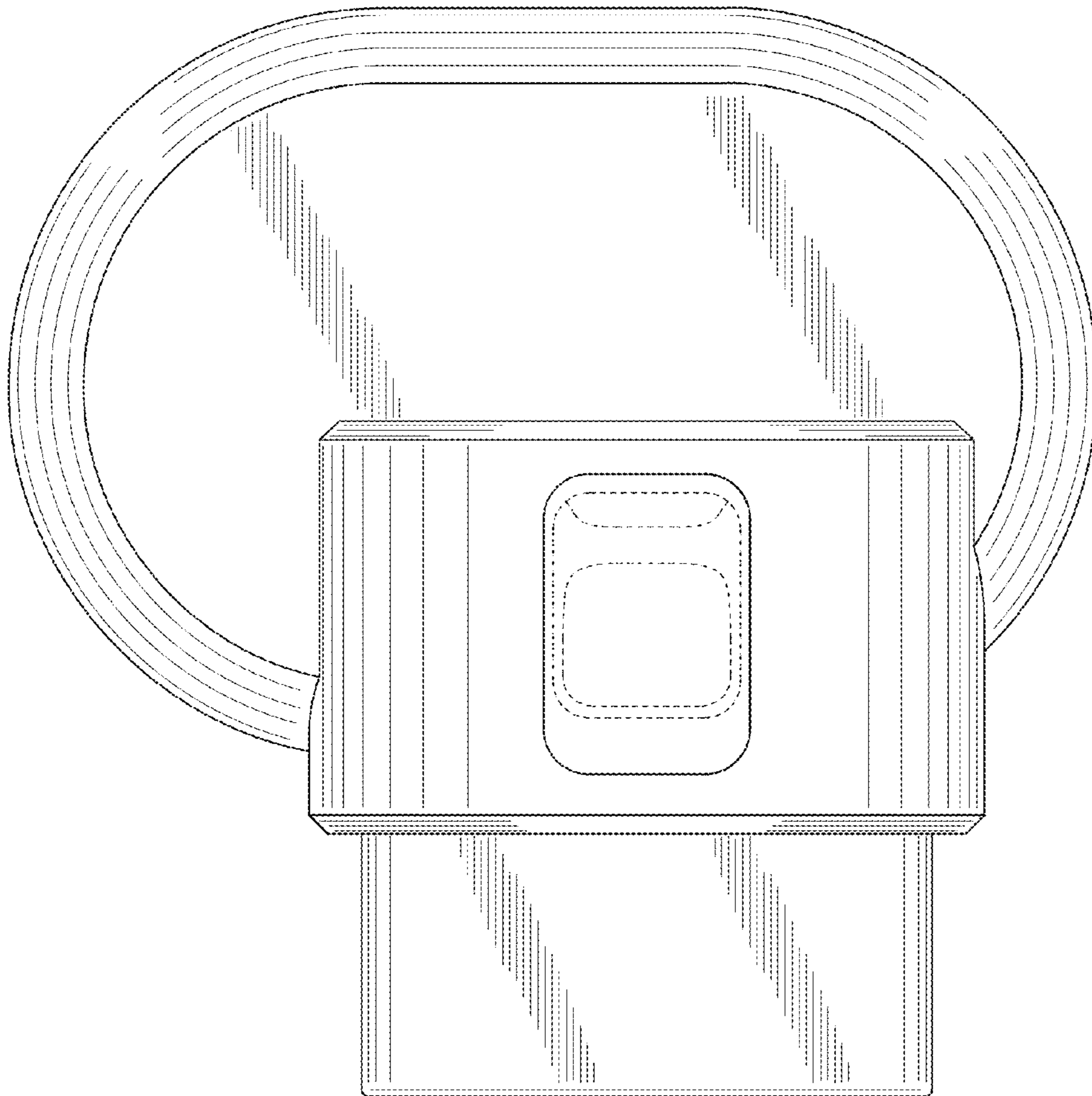


FIG. 4

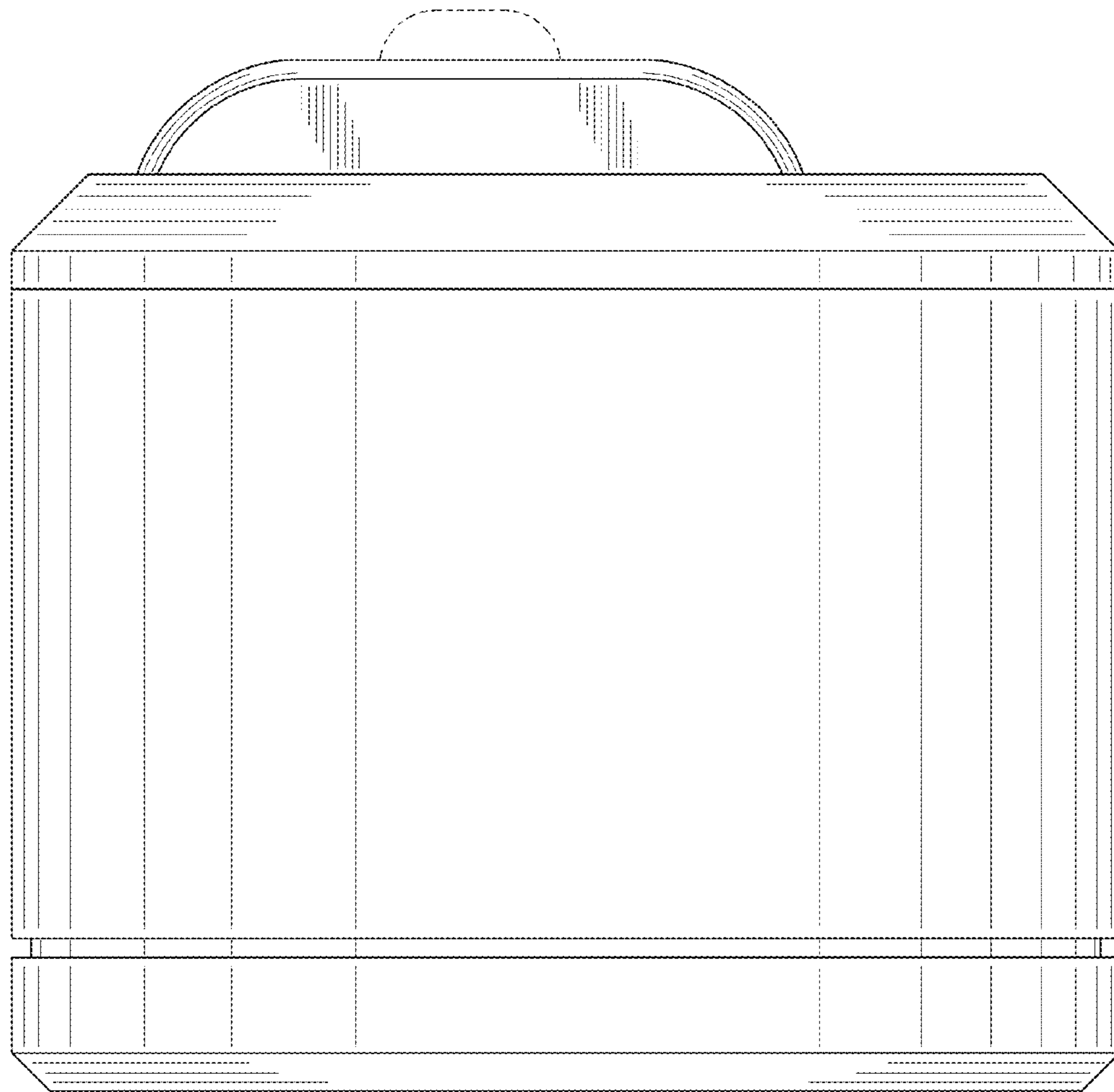


FIG. 5

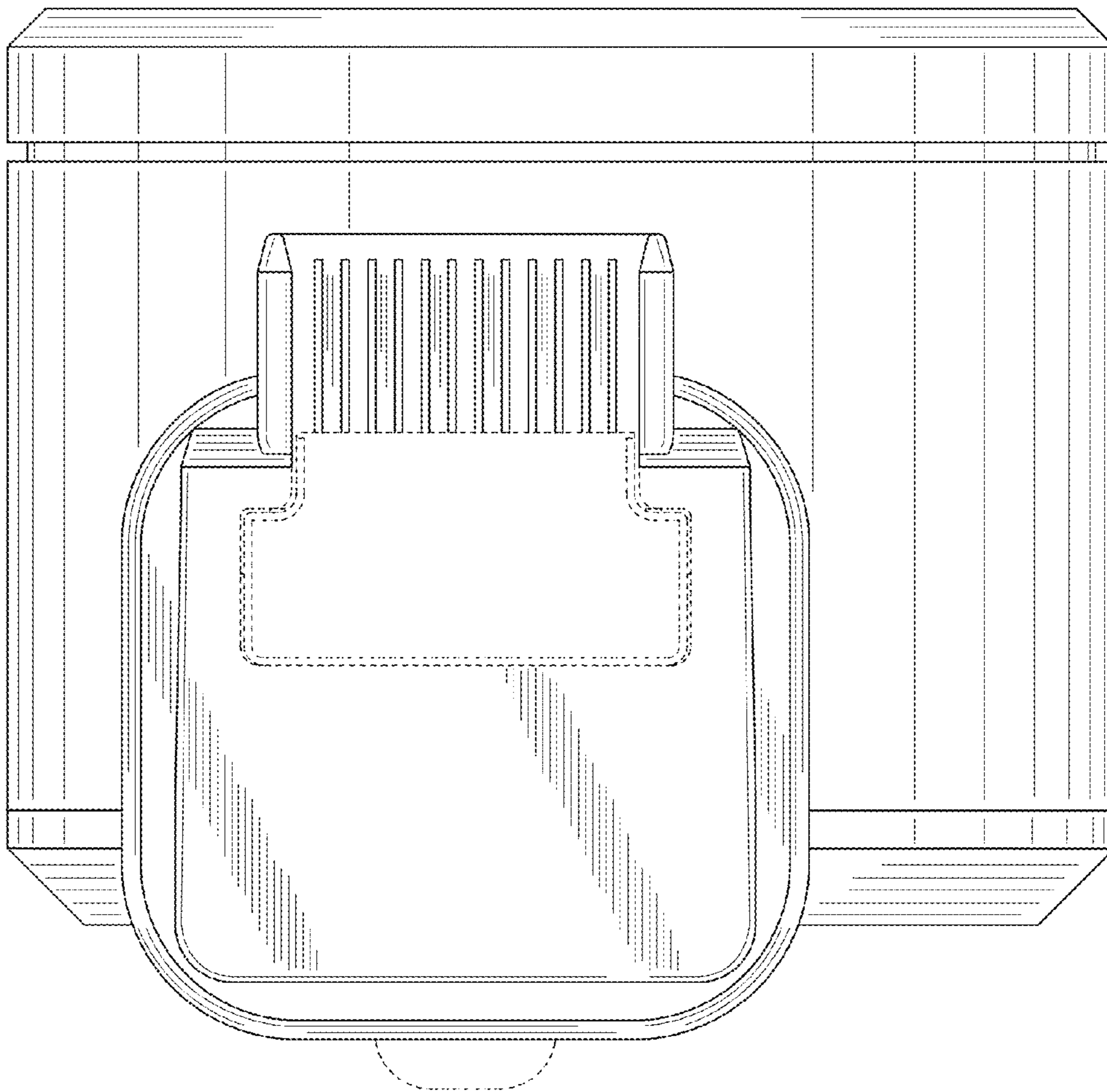


FIG. 6

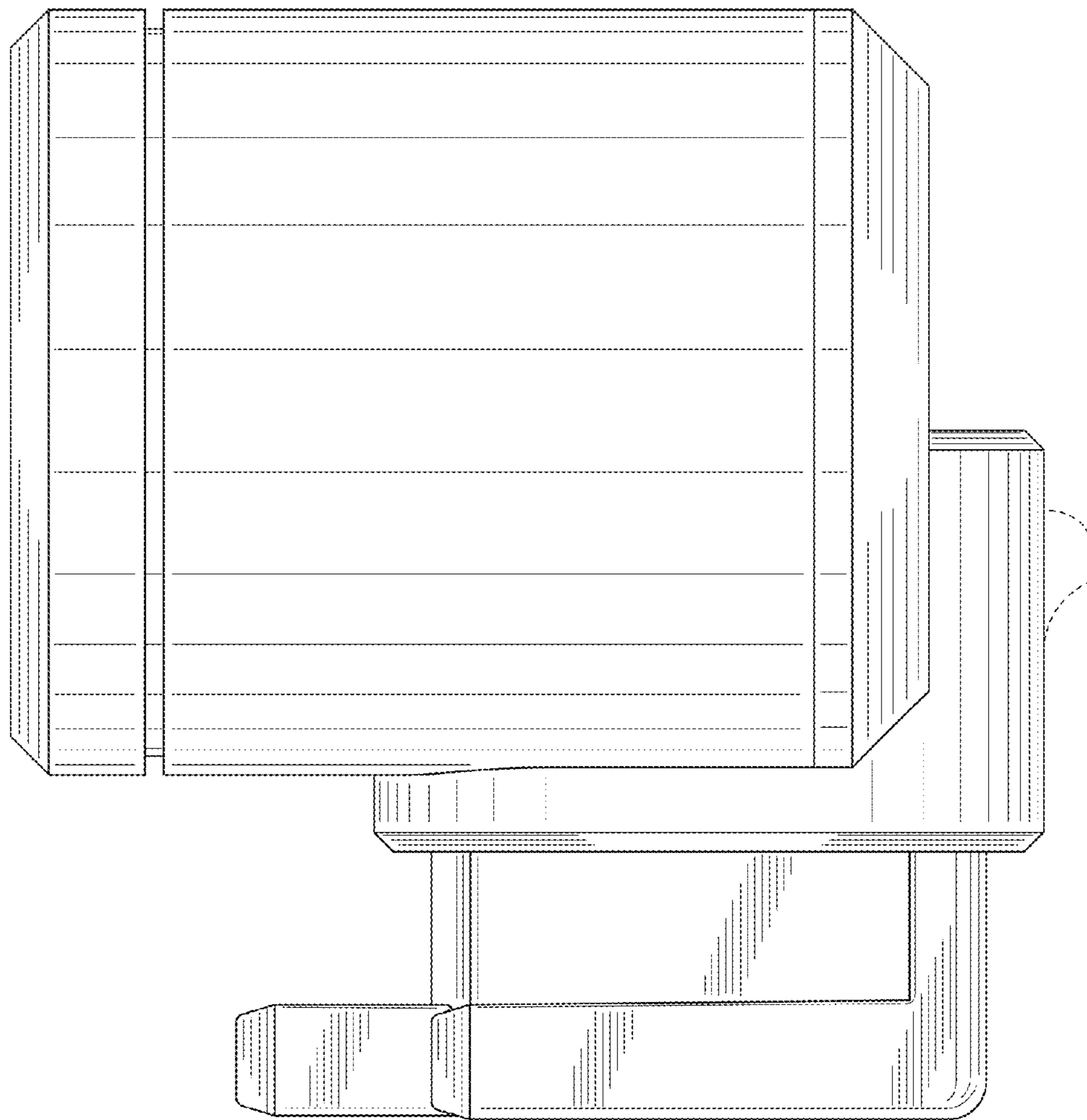


FIG. 7

