



US00D756009S

(12) **United States Design Patent**
Biondo

(10) **Patent No.:** **US D756,009 S**
(45) **Date of Patent:** **** May 10, 2016**

- (54) **ILLUMINATION DEVICE**
- (76) Inventor: **Barry Biondo**, Lake Worth, FL (US)
- (**) Term: **14 Years**
- (21) Appl. No.: **29/423,809**
- (22) Filed: **Jun. 5, 2012**
- (51) **LOC (10) Cl.** **26-02**
- (52) **U.S. Cl.**
USPC **D26/37**
- (58) **Field of Classification Search**
USPC D26/37, 38, 39, 40, 42, 46, 51;
362/157, 158, 183, 194-196, 200-208,
362/253
CPC F21V 33/00; F21V 14/025; F21V 21/406;
F21Y 2101/02; F21L 2003/00; F21L 2005/00;
F21L 2/00; F21L 4/00; F21L 4/005; F21L
17/00; F21L 13/08
See application file for complete search history.

- D425,226 S * 5/2000 Galli D26/37
- D431,355 S * 10/2000 Boyd, Jr. D3/209
- D463,052 S * 9/2002 Shiu D26/38
- D482,469 S * 11/2003 Guerrieri D26/37
- D507,368 S * 7/2005 Waters D26/37
- D507,369 S * 7/2005 Waters D26/37
- D541,451 S * 4/2007 Leung D26/38

* cited by examiner

Primary Examiner — Ian Simmons
Assistant Examiner — Carissa C Fitts
(74) *Attorney, Agent, or Firm* — Daniel S. Polley, P.A.

(57) **CLAIM**
The ornamental design for an illumination device, as shown and described.

DESCRIPTION

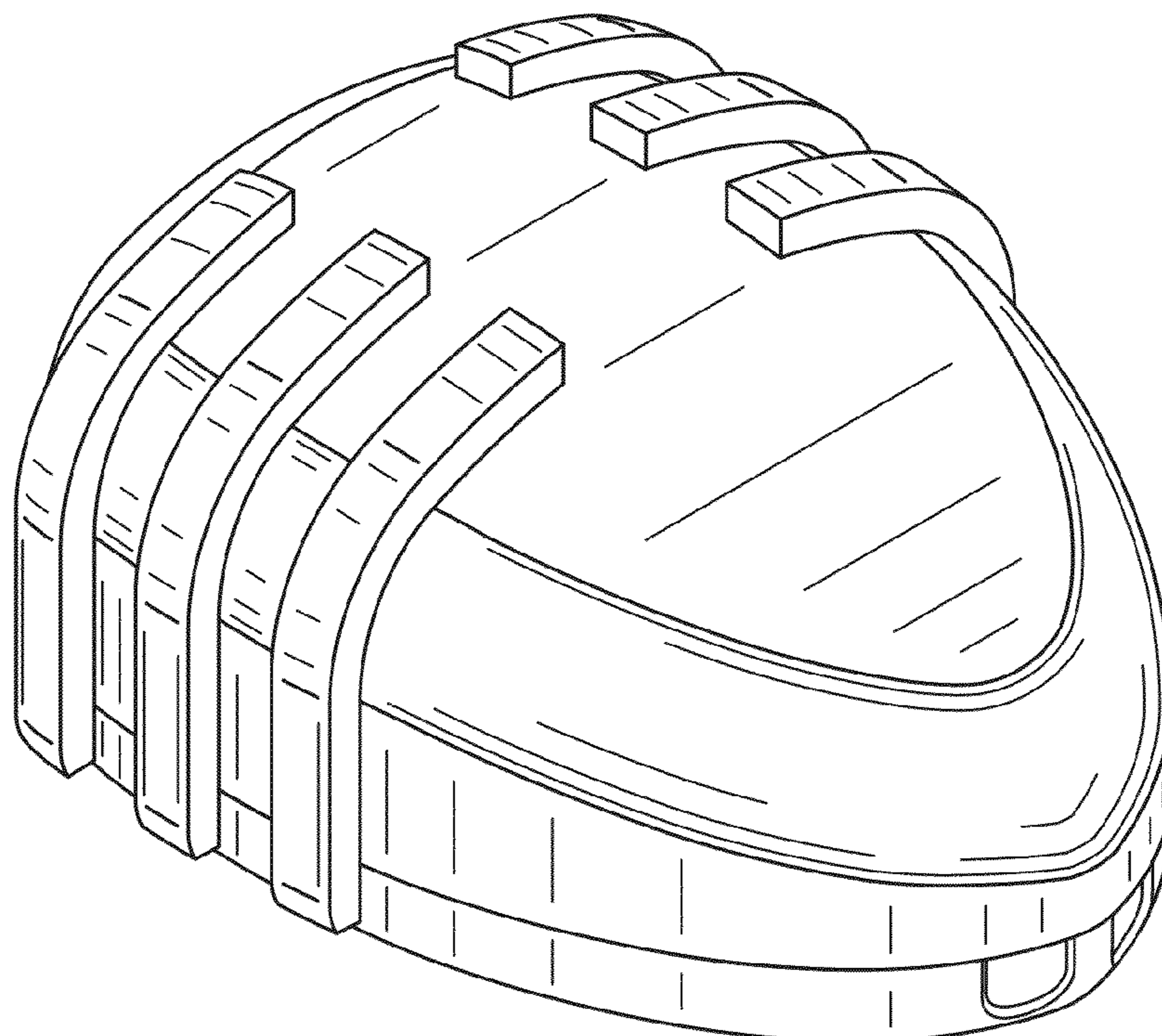
FIG. 1 is a front top perspective view of the illumination device;
FIG. 2 is a bottom back perspective view thereof;
FIG. 3 is a top view thereof;
FIG. 4 is a bottom view thereof;
FIG. 5 is a front view thereof;
FIG. 6 is a back view thereof; and,
FIG. 7 is right side view thereof, with the left side having the same appearance as the right side.
The uniformly-segmented broken line showing represents portions of the article not claimed only and forms no part of the claimed design.

1 Claim, 4 Drawing Sheets

(56) **References Cited**

U.S. PATENT DOCUMENTS

- D367,087 S * 2/1996 Mathews D21/483
- D371,857 S * 7/1996 Gismondi D26/85
- D372,747 S * 8/1996 Mathews D10/109.2
- D374,492 S * 10/1996 Coe D26/37
- D380,566 S * 7/1997 Chen D26/37
- D423,128 S * 4/2000 Hansen D26/46



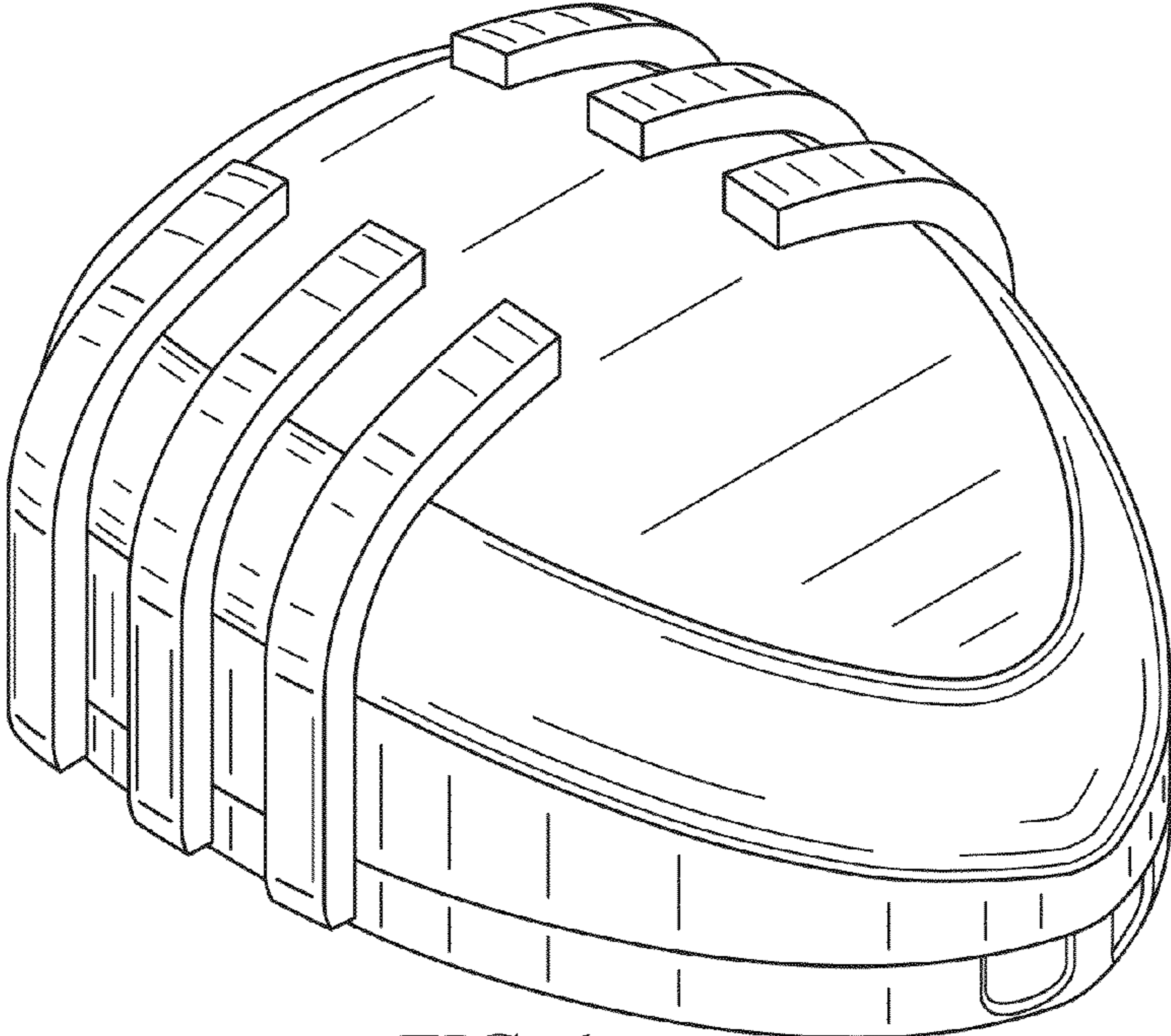


FIG. 1

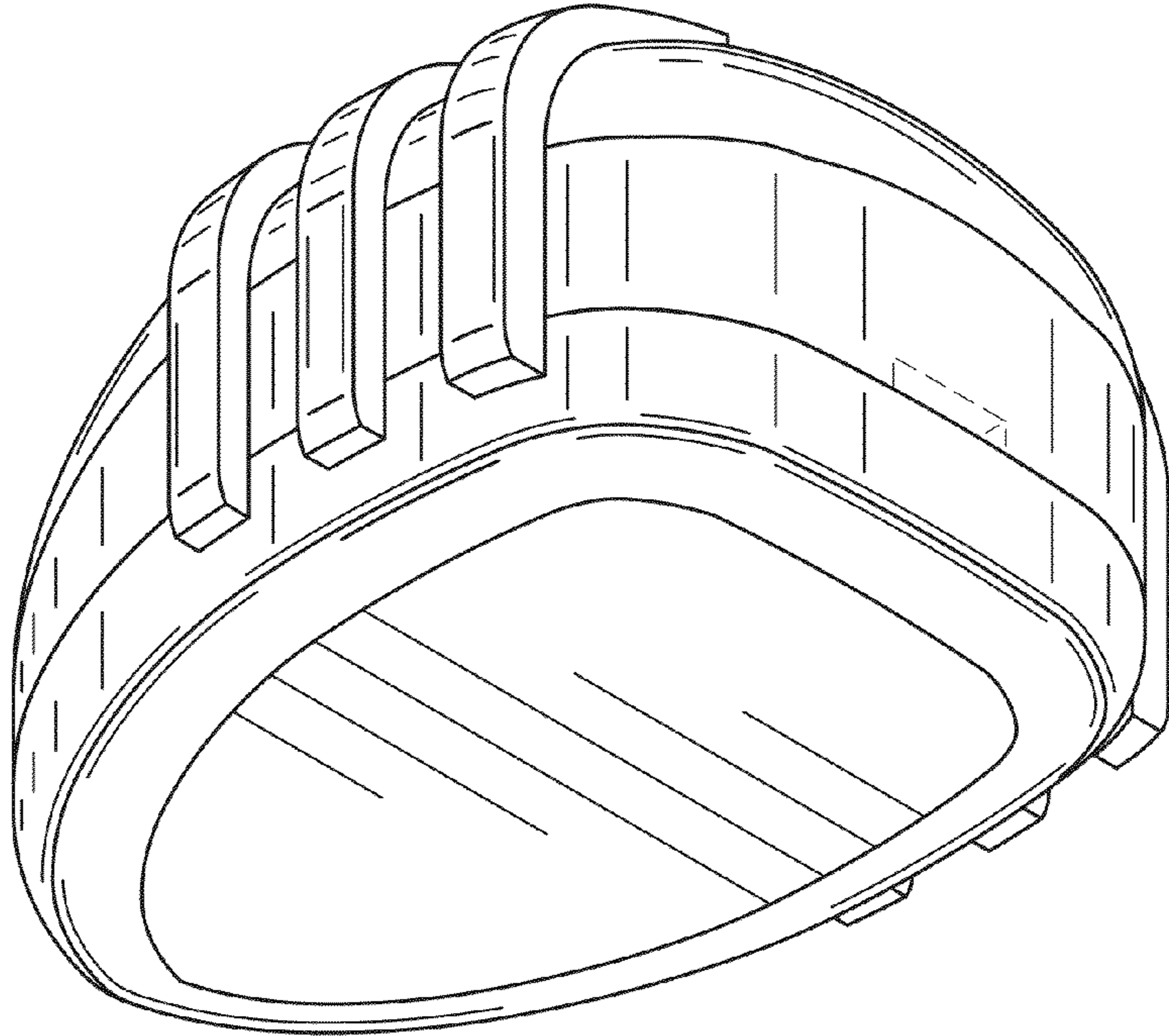


FIG. 2

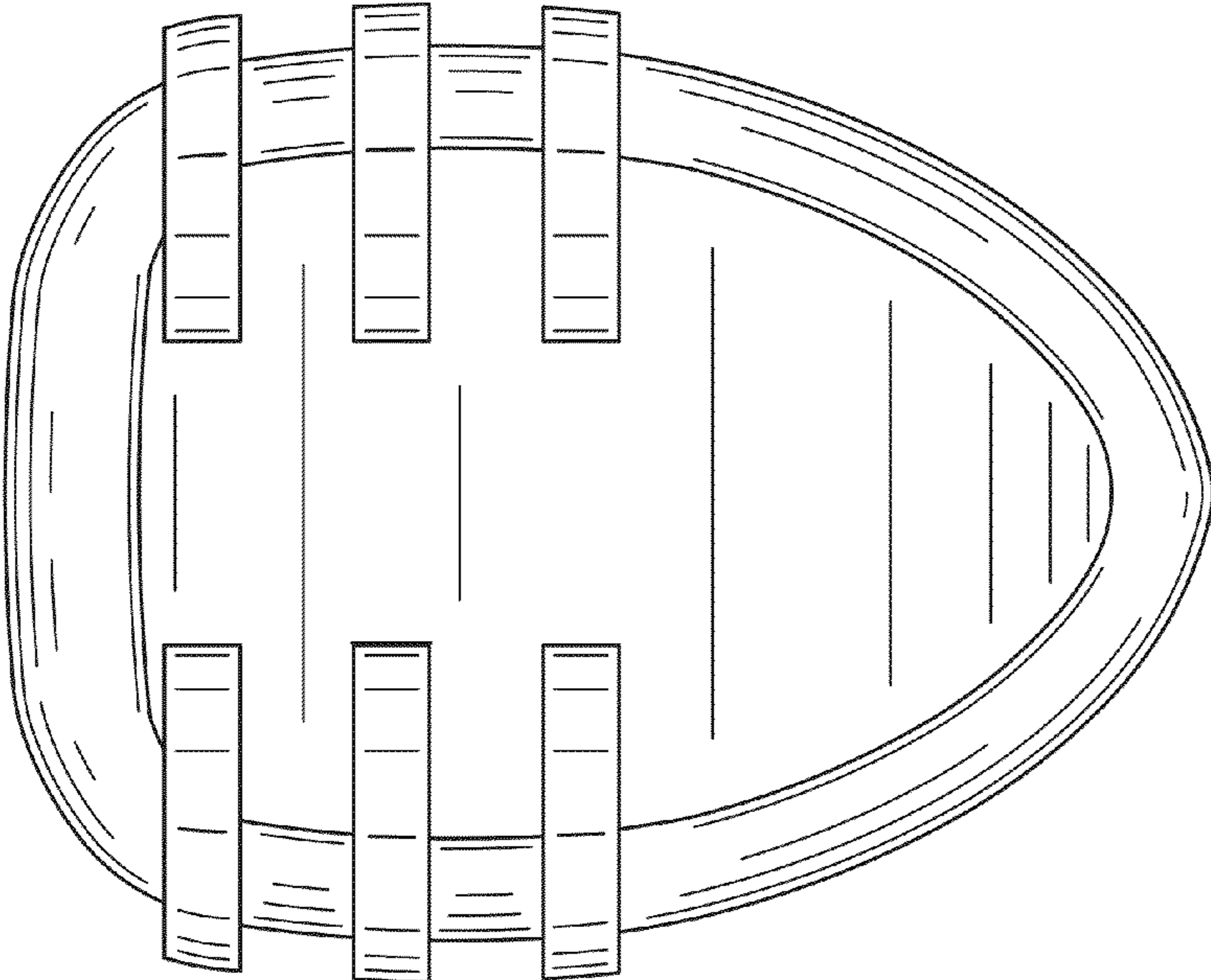


FIG. 3

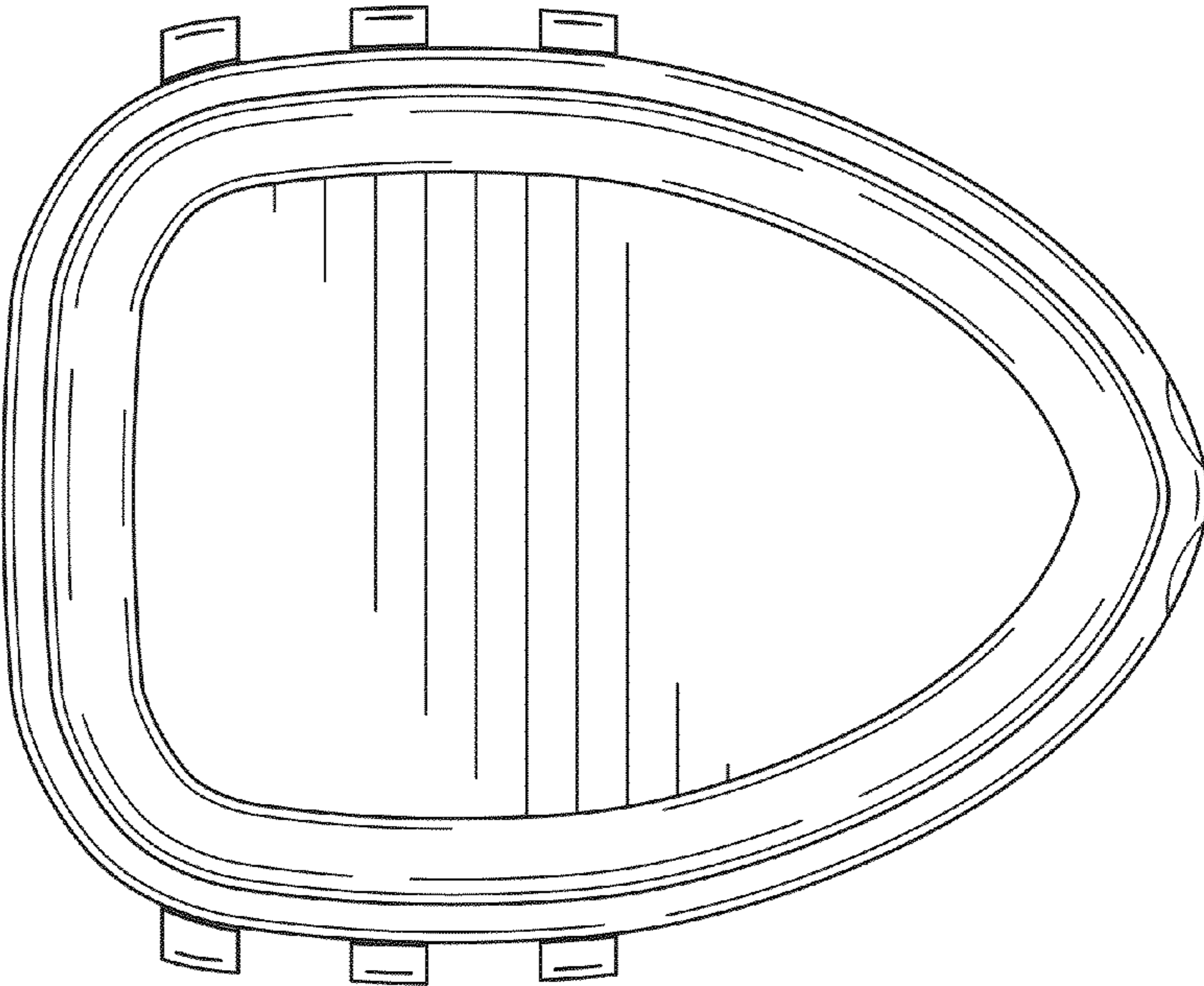


FIG. 4

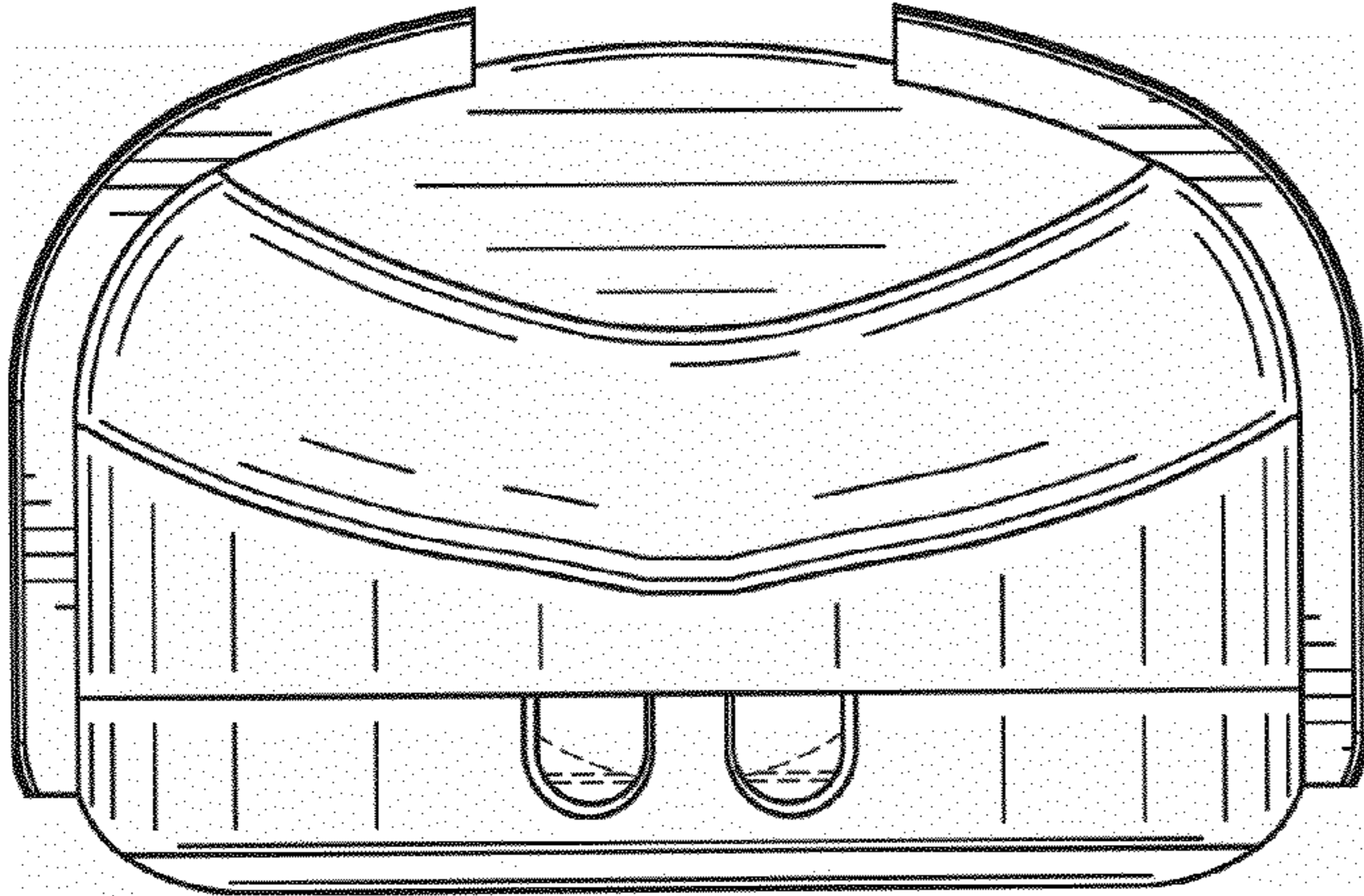


FIG. 5

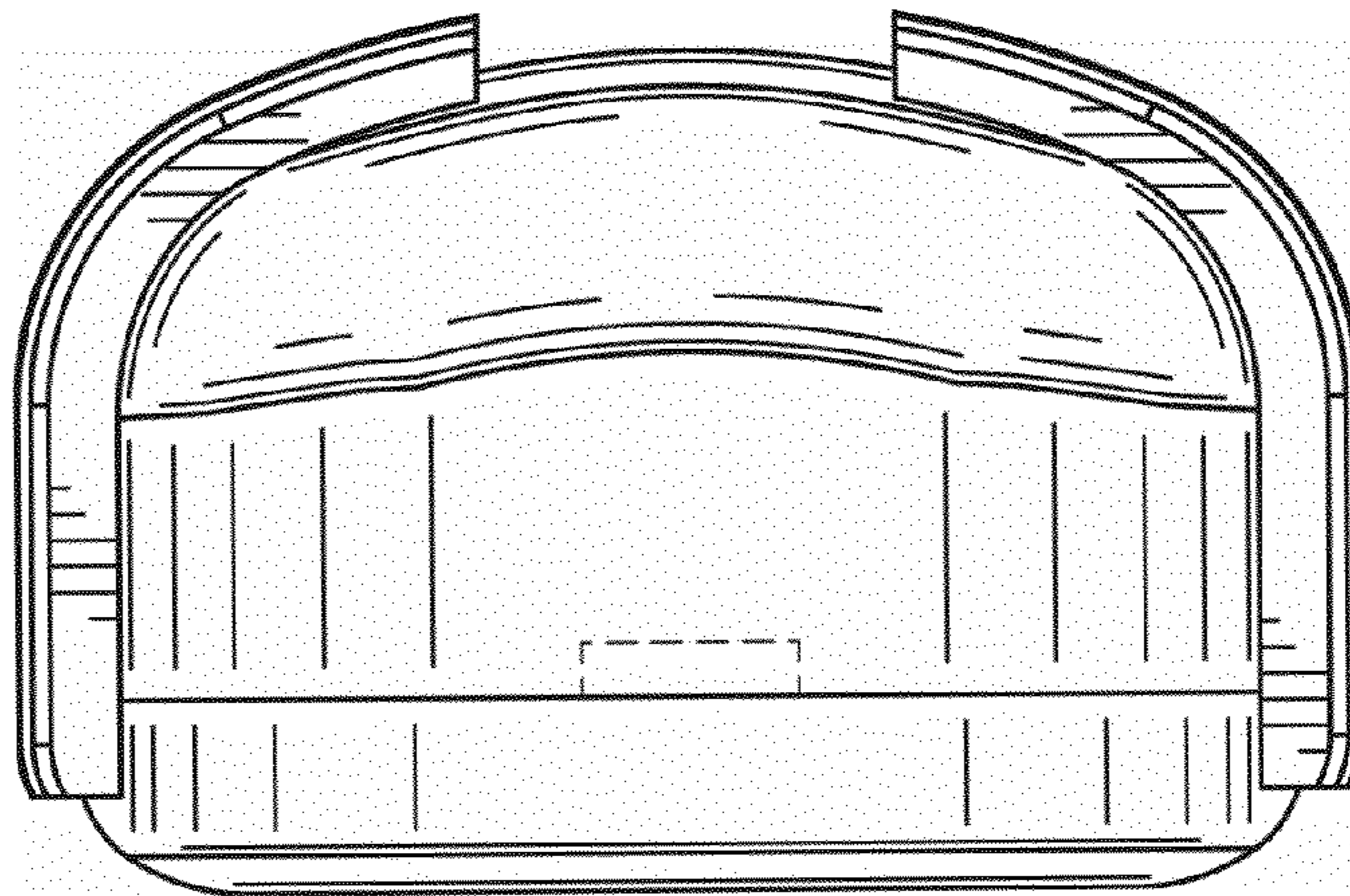


FIG. 6

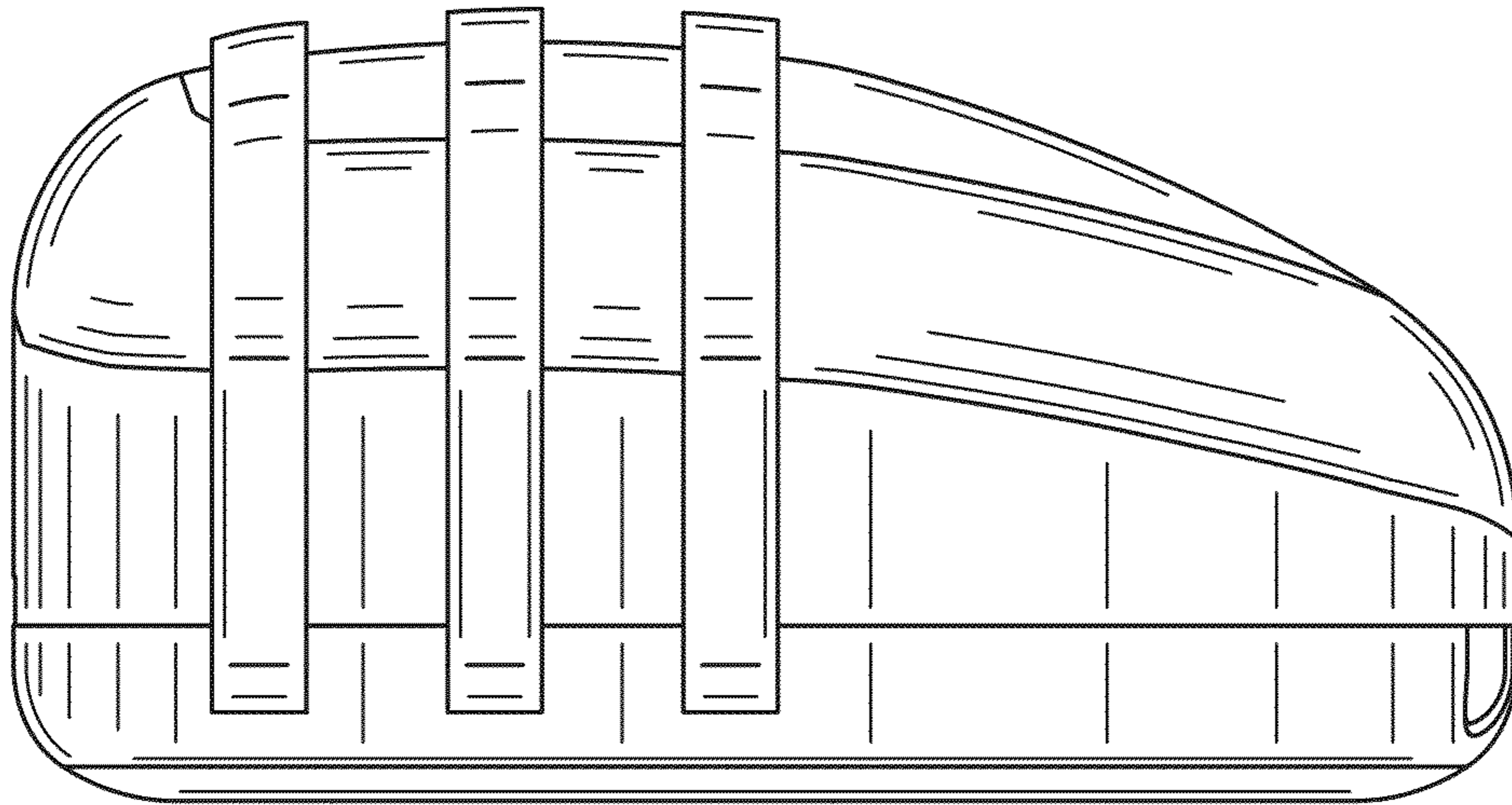


FIG. 7