



US00D755998S

(12) **United States Design Patent**
Wilson

(10) **Patent No.:** **US D755,998 S**
(45) **Date of Patent:** **** May 10, 2016**

(54) **RECTANGULAR VENTED LIGHT-EMITTING DIODE LIGHT WITH ROTATING BASE**

(71) Applicant: **Gregg Wilson**, Avondale, AZ (US)

(72) Inventor: **Gregg Wilson**, Avondale, AZ (US)

(**) Term: **14 Years**

(21) Appl. No.: **29/513,428**

(22) Filed: **Dec. 30, 2014**

(51) **LOC (10) Cl.** **26-04**

(52) **U.S. Cl.**
USPC **D26/1**

(58) **Field of Classification Search**
USPC D26/1-5; 313/313, 315, 316, 317, 318,
313/493; 315/52, 53, 56, 57, 58
CPC H01J 5/48; H01J 5/50; H01J 19/54;
F21V 5/00
See application file for complete search history.

(56) **References Cited**

U.S. PATENT DOCUMENTS

D435,673 S	*	12/2000	Schuda	D26/1
D464,744 S	*	10/2002	Kato	D26/1
D499,495 S	*	12/2004	Walterscheid	D26/1
D624,689 S	*	9/2010	Kao	D26/102
D634,282 S		3/2011	Wilson		
D678,557 S		3/2013	Wilson		

* cited by examiner

Primary Examiner — Marcus Jackson

(57) **CLAIM**

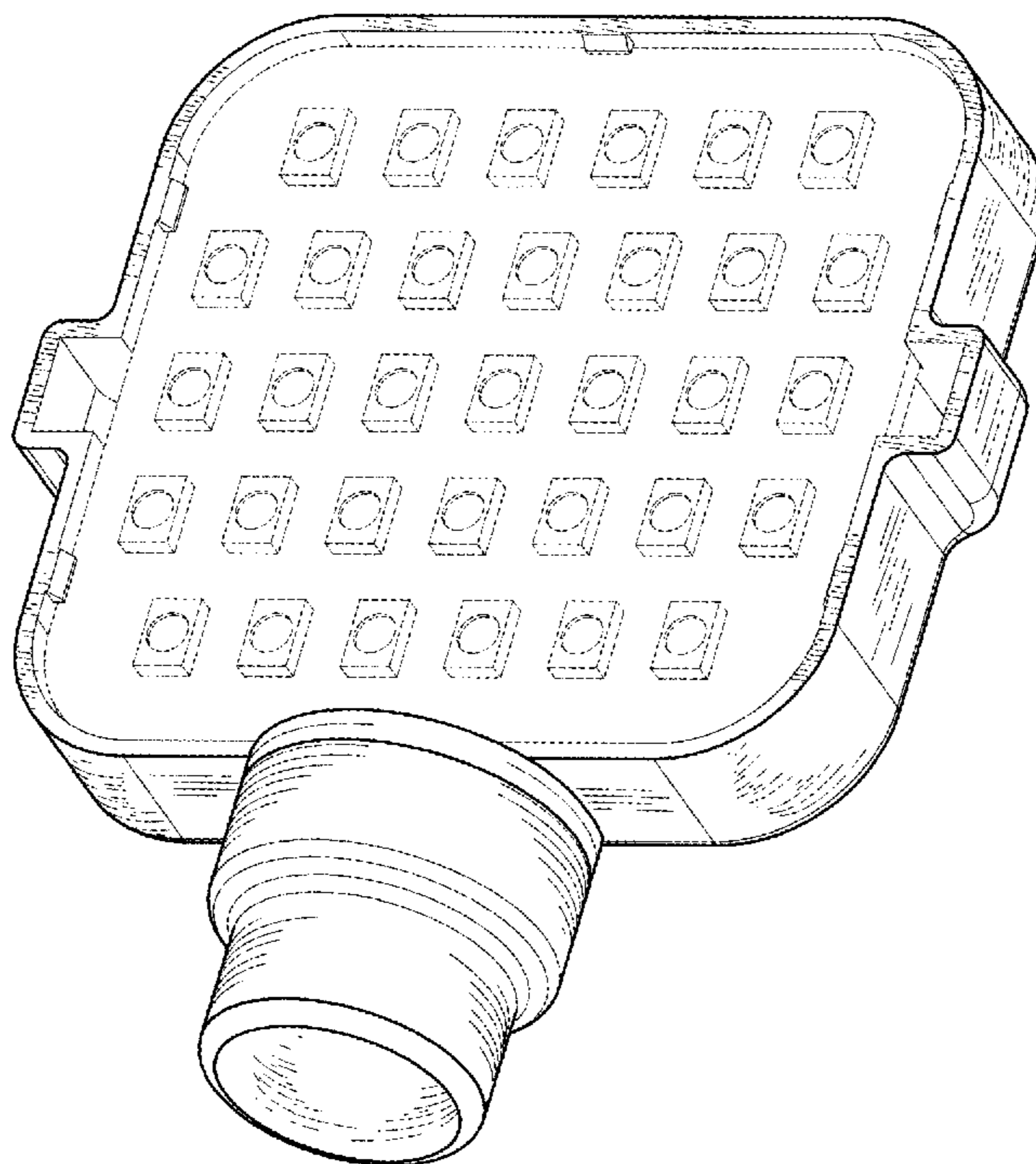
The novel ornamental design for a rectangular vented light-emitting diode light with rotating base, as shown and described.

DESCRIPTION

FIG. 1 is a perspective view of the rectangular vented light-emitting diode light with rotating base;
FIG. 2 is a front elevational view of the rectangular vented light-emitting diode light with rotating base in accordance with the present invention;
FIG. 3 is a right side view of the rectangular vented light-emitting diode light with rotating base;
FIG. 4 is a left side view of the rectangular vented light-emitting diode light with rotating base;
FIG. 5 is a top view of the rectangular vented light-emitting diode light with rotating base;
FIG. 6 is a bottom view of the rectangular vented light-emitting diode light with rotating base;
FIG. 7 is a back elevational view of the rectangular vented light-emitting diode light with rotating base; and,
FIG. 8 is a front elevational view of the rectangular vented light-emitting diode light with rotating base showing a typical base (not claimed) that can be fitted to the rotational base; and,
FIG. 9 is a front elevational view of the rectangular vented light-emitting diode light with rotating base showing another typical base (not Claimed) that can be fitted to the rotational base thereon.

The broken lines in the drawings represent unclaimed environmental subject matter.

1 Claim, 7 Drawing Sheets



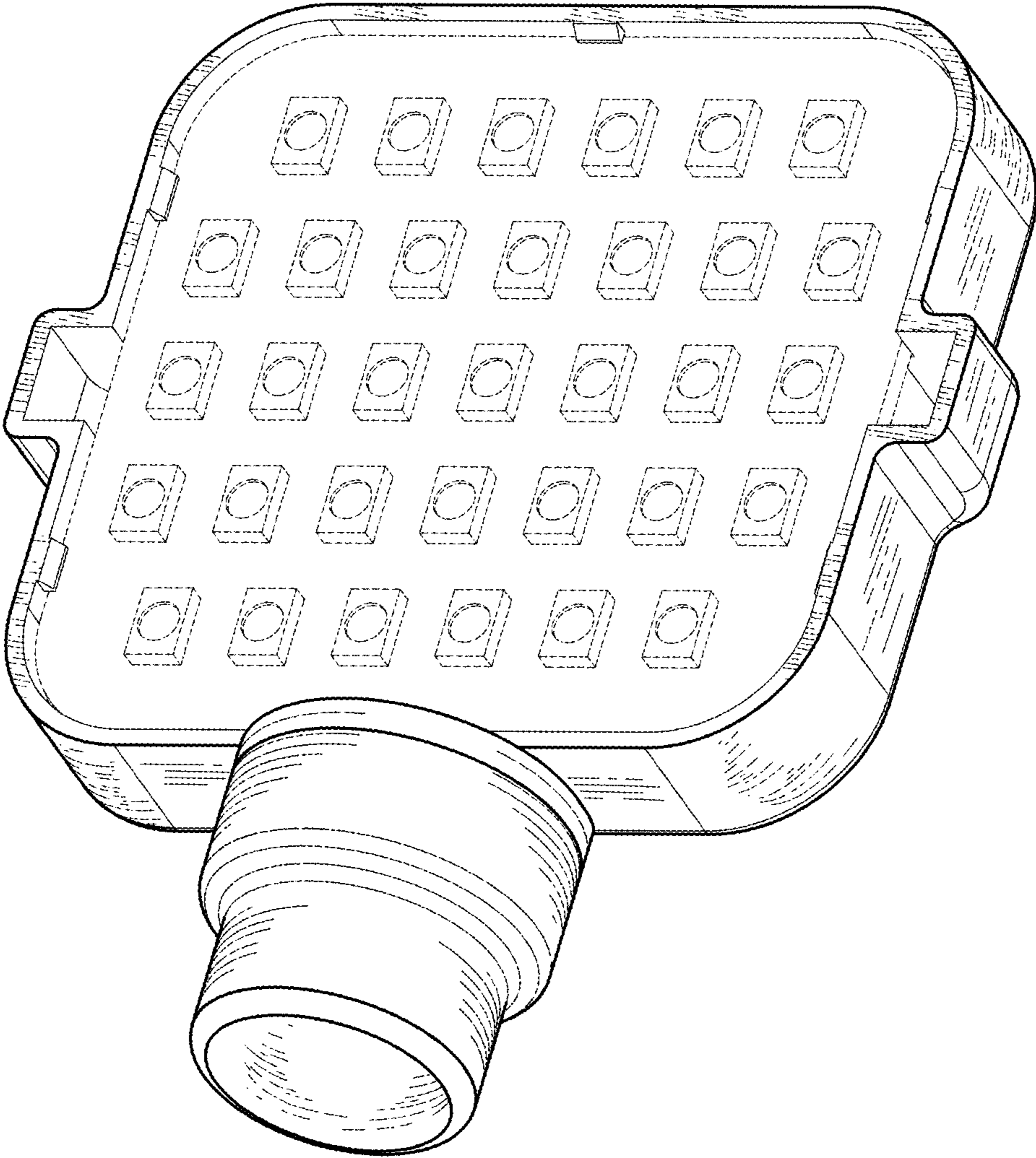


FIG. 1

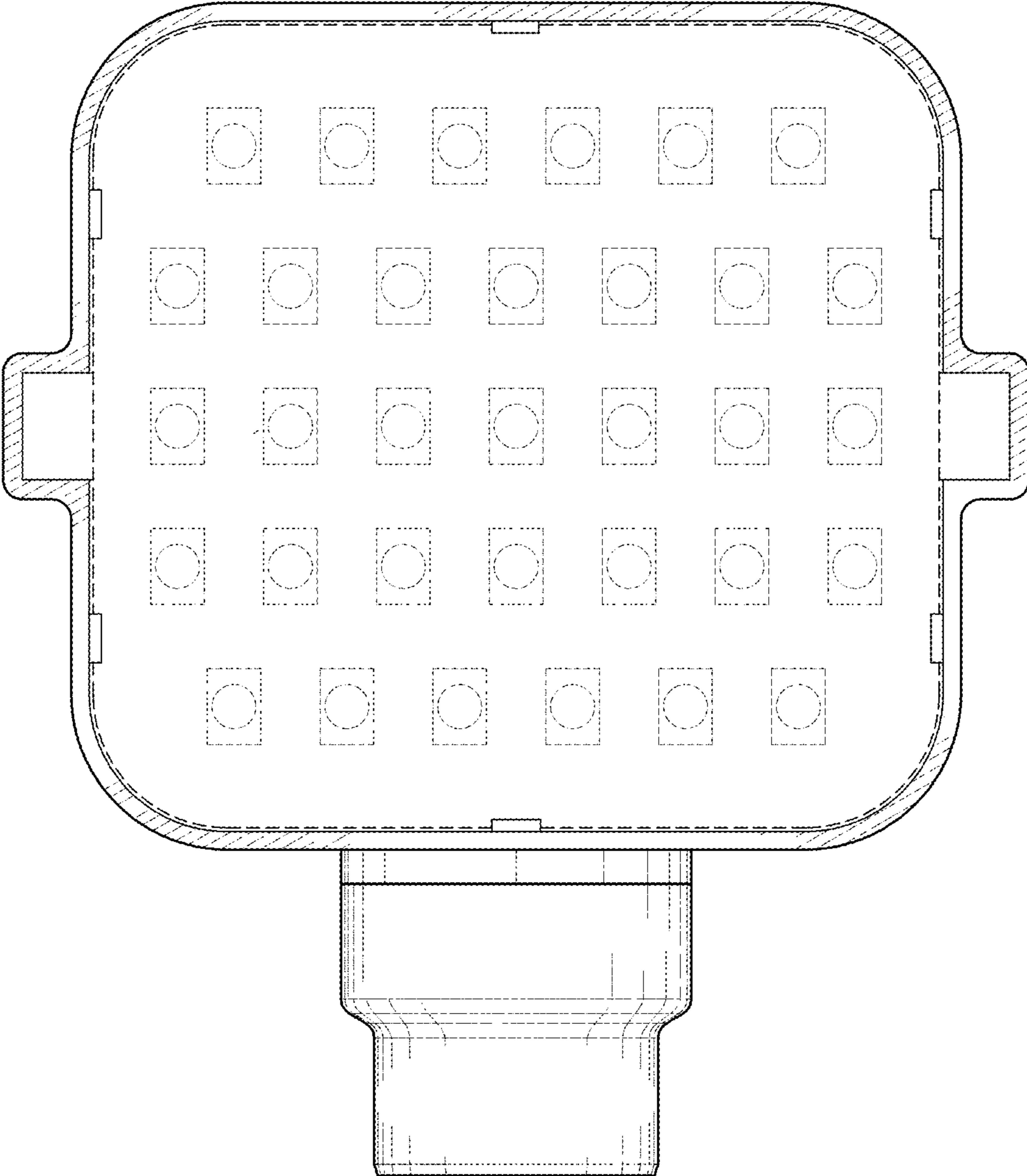


FIG. 2

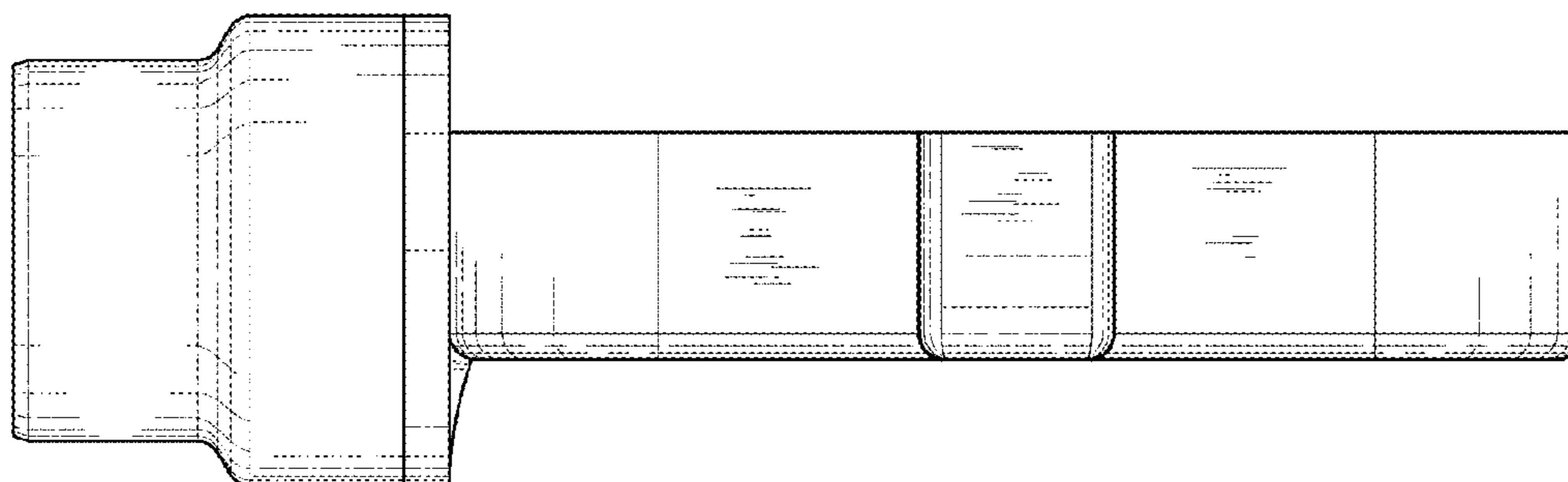


FIG. 3

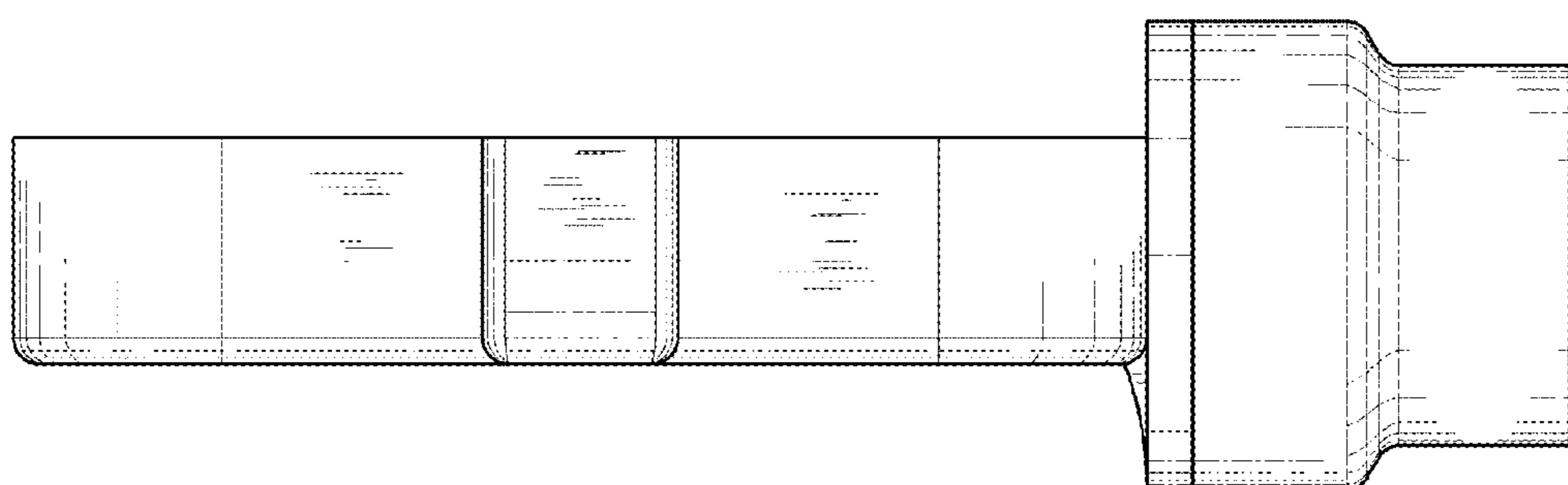


FIG. 4

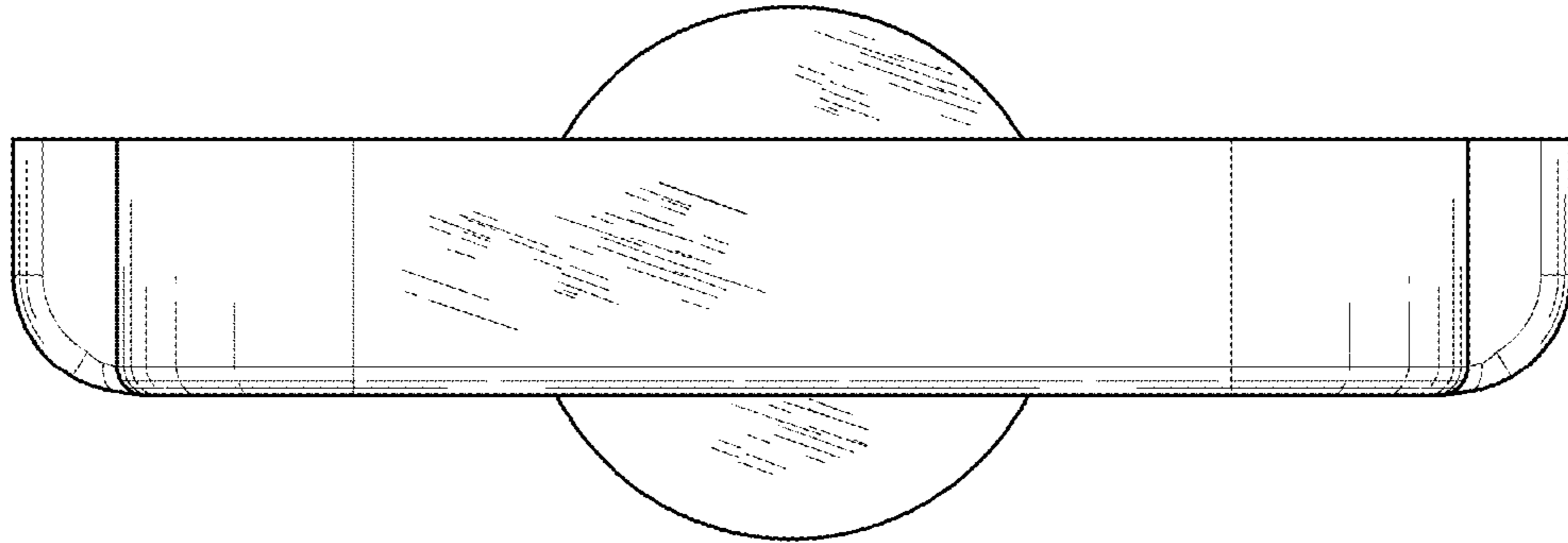


FIG. 5

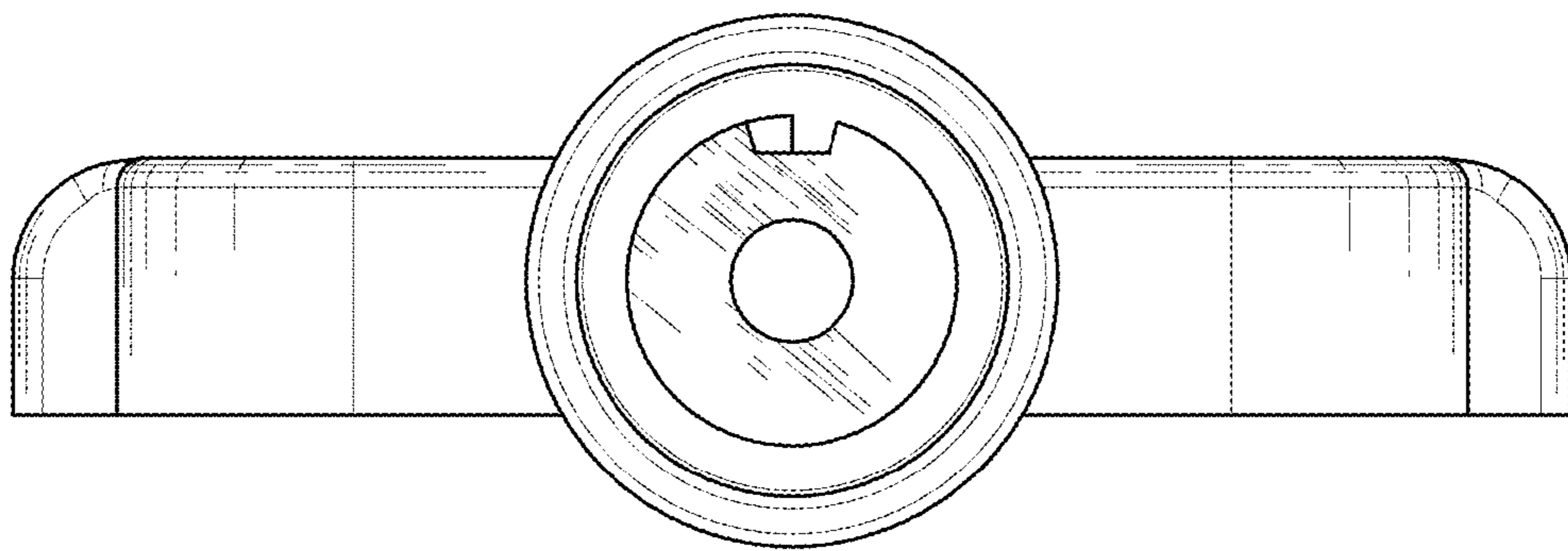


FIG. 6

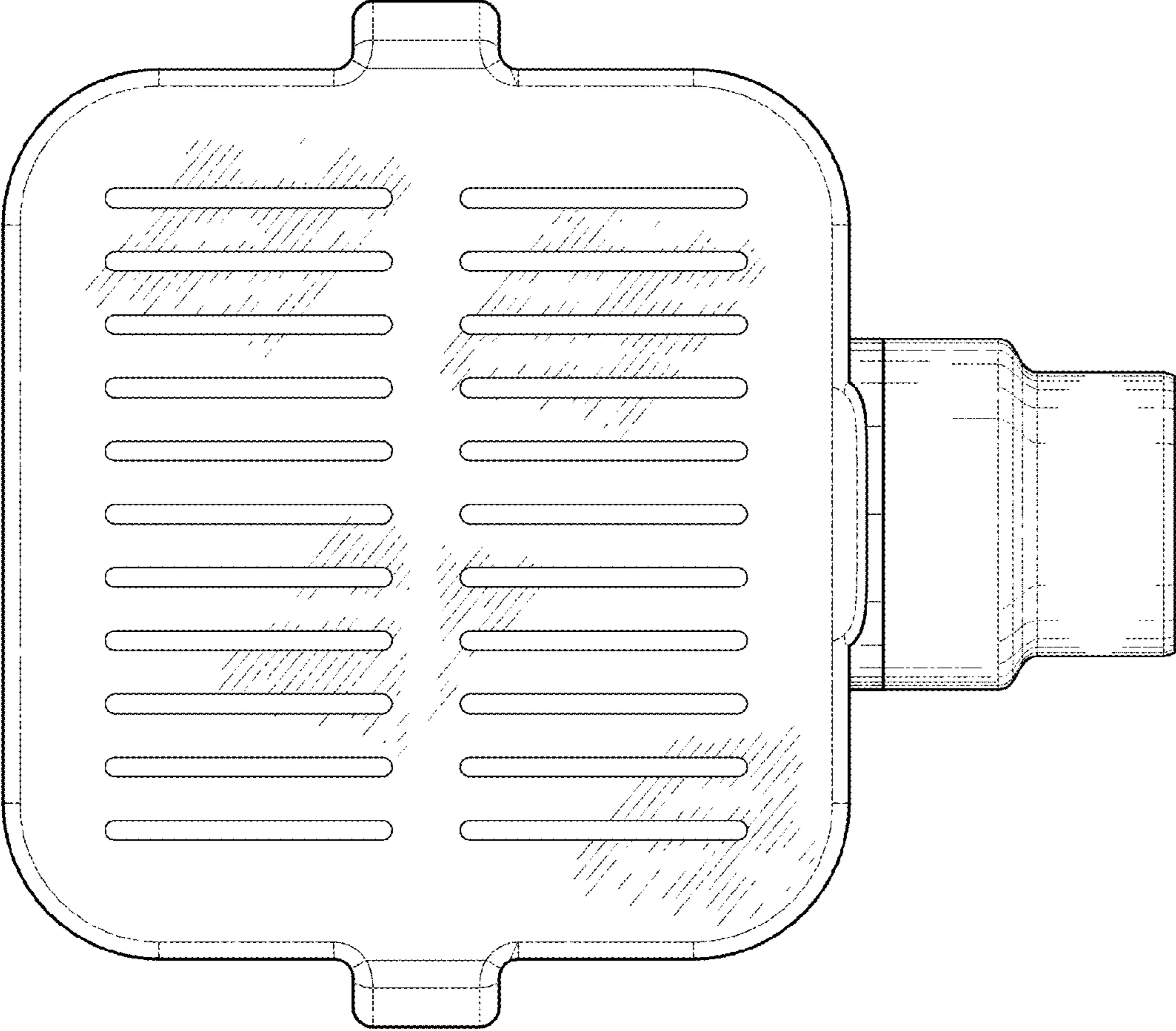


FIG. 7

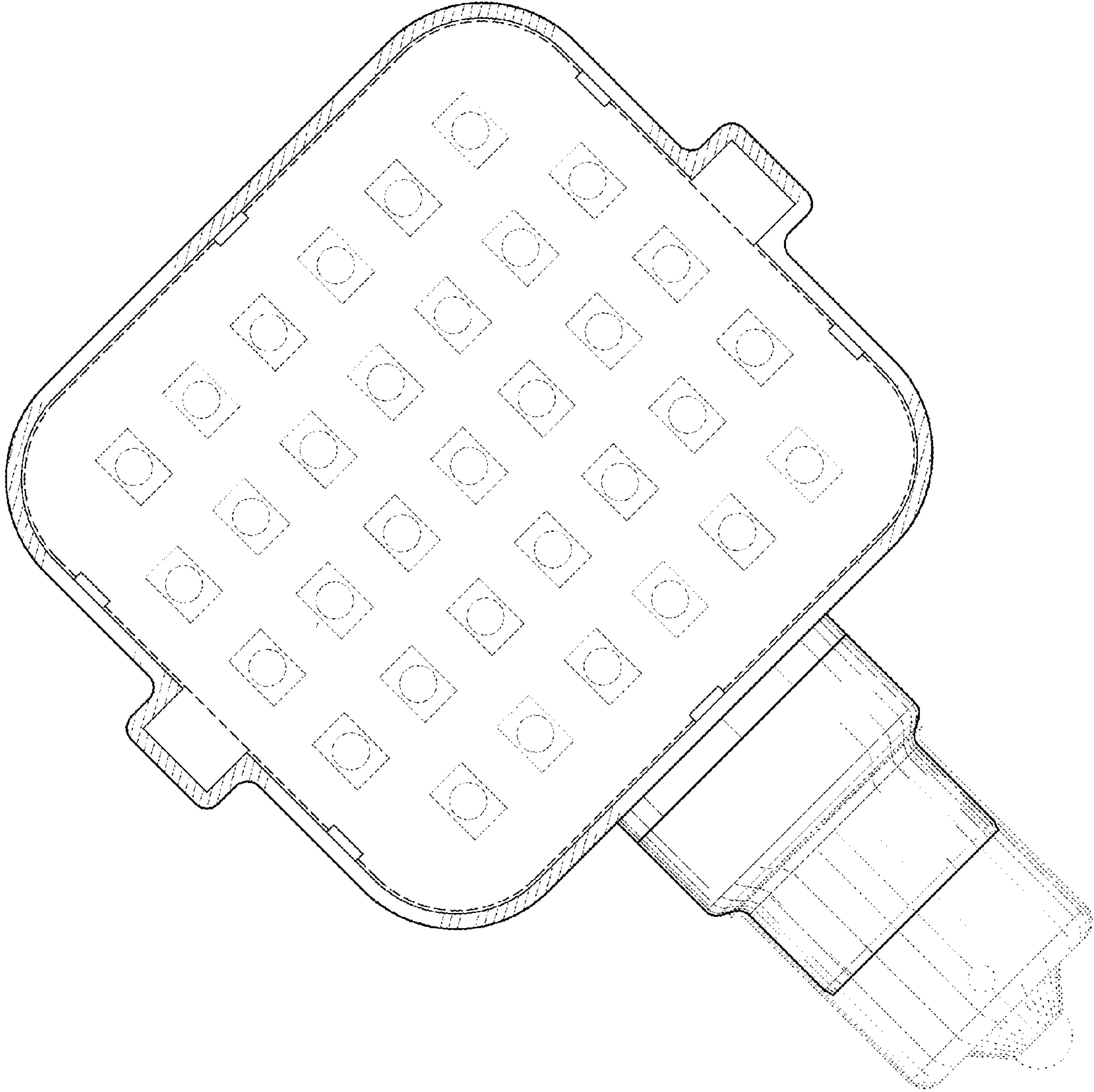


FIG. 8

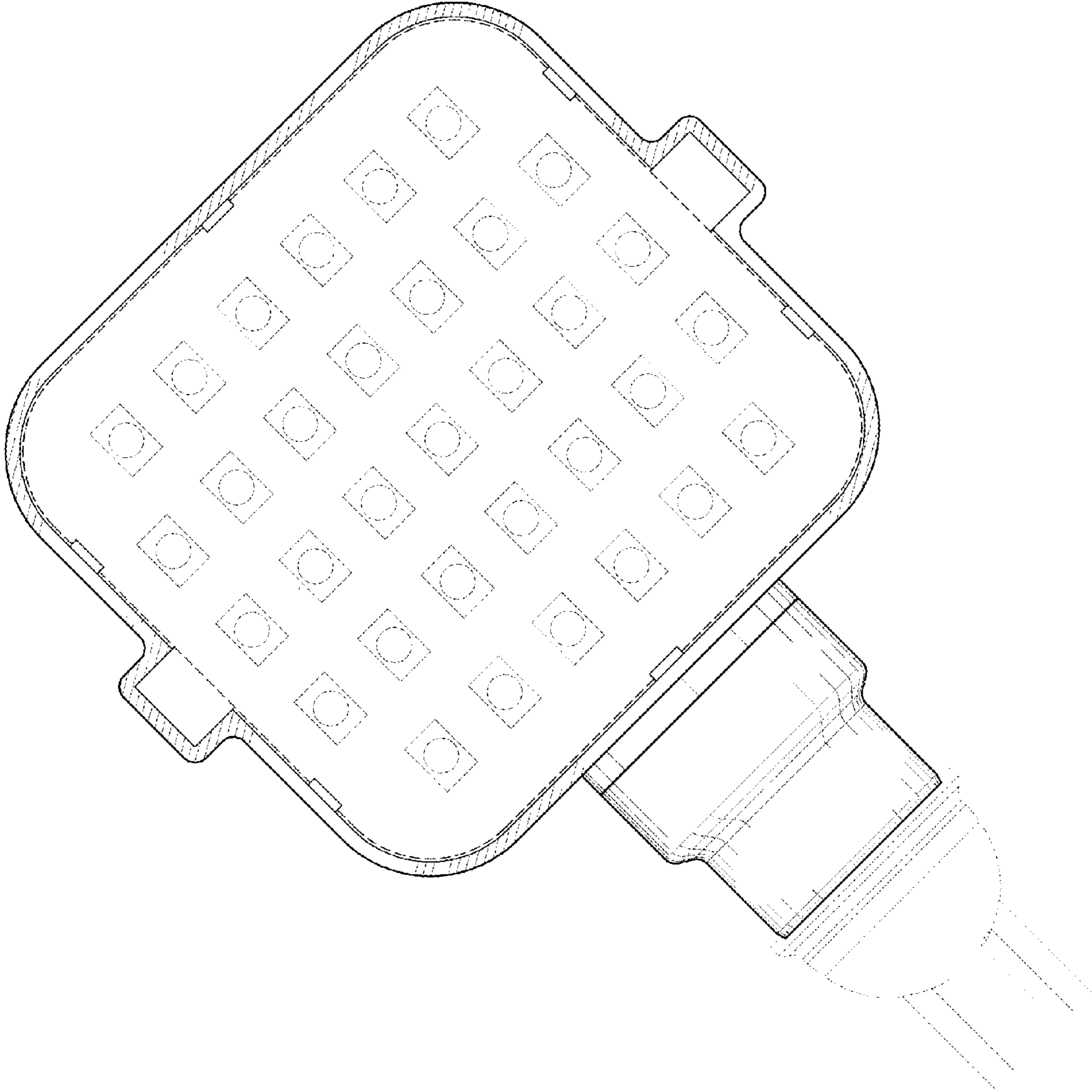


FIG. 9