



US00D755992S

(12) **United States Design Patent**
Hill et al.

(10) **Patent No.:** **US D755,992 S**

(45) **Date of Patent:** **** May 10, 2016**

(54) **BUILDING MATERIAL**

(71) Applicant: **Boral IP Holdings (Australia) PTY Limited**, North Sydney (AU)

(72) Inventors: **Russell Hill**, San Antonio, TX (US);
Brian Below, Atlanta, GA (US);
Kenneth Bruns, Charlotte, NC (US);
Guy Crocco, New Braunfels, TX (US);
Bob Rathbone, San Antonio, TX (US);
Brian Shaw, Elmendorf, TX (US)

(73) Assignee: **Boral IP Holdings (Australia) PTY Limited**, North Sydney (AU)

(**) Term: **15 Years**

(21) Appl. No.: **29/529,642**

(22) Filed: **Jun. 9, 2015**

Related U.S. Application Data

(63) Continuation-in-part of application No. 29/498,290, filed on Aug. 1, 2014.

(51) **LOC (10) Cl.** **12-16**

(52) **U.S. Cl.**
USPC **D25/118**

(58) **Field of Classification Search**
USPC D25/118, 119, 138; 52/588.1, 589.1, 52/590.1, 590.2, 506.01, 578
CPC E04F 15/02
See application file for complete search history.

(56) **References Cited**

U.S. PATENT DOCUMENTS

148,016 A * 2/1874 Trejvus et al. E04F 15/04 52/539
2,797,450 A * 7/1957 Ropella E06B 5/16 428/50
2,902,853 A * 9/1959 Lofstrom E04B 2/18 52/286
4,065,899 A 1/1978 Kirkhuff
4,183,454 A * 1/1980 Snell B23K 9/035 228/50

D410,868 S * 6/1999 Hall, Jr. D12/106
6,467,229 B2 * 10/2002 Azar E04B 2/06 52/589.1
6,546,691 B2 * 4/2003 Leopolder E04F 15/02 52/590.2
D483,882 S 12/2003 Glatz
D514,236 S 1/2006 Glatz
D526,248 S 8/2006 Stidham et al.

(Continued)

OTHER PUBLICATIONS

California Redwood Association, Redwood Lumber Patterns No. 17, available at <http://www.redwoodinspection.com/pdf/Patterns17.pdf> (accessed Jul. 1, 2014).

Selflok Millwood Smooth, available at <http://www.weathertext.com.au/products/weatherboards/selflok/selflok-millwood-smooth/> (accessed Jul. 1, 2014).

(Continued)

Primary Examiner — Susan E Krakower

Assistant Examiner — Camelia Styles

(74) *Attorney, Agent, or Firm* — Meunier Carlin & Curfman LLC

(57) **CLAIM**

The ornamental design for a building material, as shown and described.

DESCRIPTION

FIG. 1 is a front perspective view of a building material showing our new design.

FIG. 2 is a front view thereof.

FIG. 3 is a back view thereof.

FIG. 4 is a left-side view thereof. The right-side view thereof is a mirror image of the left-side view.

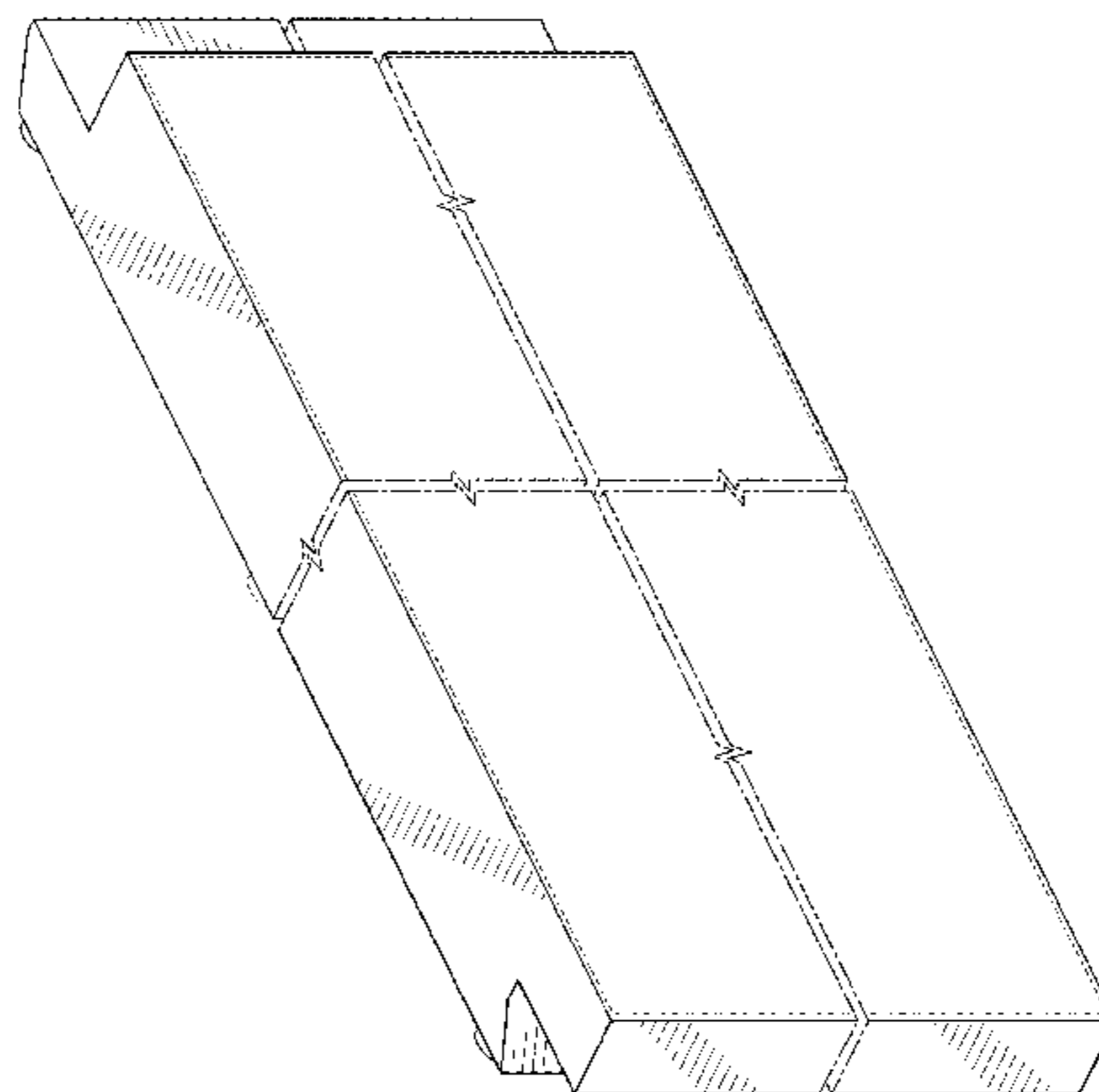
FIG. 5 is a top view thereof; and,

FIG. 6 is a bottom view thereof.

The jagged broken lines traversing, both vertically and horizontally, through the building material, indicate that any portion of the article between the break lines forms no part of the claimed design.

The broken lines illustrate portions of the front and back surfaces which form no part of the claimed design.

1 Claim, 5 Drawing Sheets



(56)

References Cited

U.S. PATENT DOCUMENTS

D528,671	S	9/2006	Grafenauer	
D553,760	S	10/2007	Schrader	
D561,916	S	2/2008	Visintin	
D562,466	S	2/2008	Visintin	
D562,467	S	2/2008	Coulson	
D578,669	S	10/2008	Kaump	
D603,066	S *	10/2009	Warren	D25/138
7,713,615	B2 *	5/2010	Black	B28B 1/002 428/113
D629,125	S	12/2010	Johnston	
7,892,617	B2 *	2/2011	Bathelier	E04F 13/08 428/221
D634,026	S	3/2011	Baccarini	
D661,818	S	6/2012	Hamblin	
D666,326	S	8/2012	Sims	
8,397,459	B2 *	3/2013	Gately	E04F 13/0864 52/409
8,409,380	B2	4/2013	Black et al.	
8,453,411	B2 *	6/2013	Braun	C09J 5/00 428/425.1
D686,757	S	7/2013	Johnston	
D694,434	S	11/2013	Valentine	
D701,620	S	3/2014	Valentine	
D720,865	S	1/2015	Gori et al.	
D720,867	S	1/2015	Agyin	
D721,189	S	1/2015	Gori et al.	
D729,949	S *	5/2015	Hartman	D25/119
D733,928	S *	7/2015	Smith	D25/48.2
D736,452	S *	8/2015	Huang	D26/120
9,140,018	B2 *	9/2015	Southwell	E04F 13/0817
D742,552	S	11/2015	Swanson	
2013/0160387	A1	6/2013	DiLonardo et al.	
2013/0199121	A1	8/2013	Grau	

OTHER PUBLICATIONS

Selflok Millwood Ruff Sawn, available at <http://www.weathertex.com.au/products/weatherboards/selflok/selflok-millwood-ruff-sawn/> (accessed Jul. 1, 2014).

Selflok Old Colonial Smooth, available at <http://www.weathertex.com.au/products/weatherboards/selflok/sefflok-old-colonial-smooth/> (accessed Jul. 1, 2014).

Selflok Texwood Smooth, available at <http://www.weathertex.com.au/products/weatherboards/selflok/selflok-texwood-smooth/> (accessed Jul. 1, 2014).

Selflok Ecogroove 150 Smooth available at <http://www.weathertex.com.au/products/weatherboards/selflok/selflok-ecogroove-150-smooth/> (accessed Jul. 1, 2014).

Selflok Ecogroove 150 Woodman available at <http://www.weathertex.com.au/products/weatherboards/selflok/sefflok-ecogroove-150-woodsman/> (accessed Jul. 1, 2014).

Selflok Ecogroove 300 Smooth available at <http://www.weathertex.com.au/products/weatherboards/selflok/selflok-ecogroove-300-smooth/> (accessed Jul. 1, 2014).

Selflok Ecogroove 300 Woodsman a available at <http://www.weathertex.com.au/products/weatherboards/selflok/selflok-ecogroove-300-woodsman/> (accessed Jul. 1, 2014).

Copending Design U.S. Appl. No. 29/498,290, filed Aug. 1, 2014, and its prosecution history.

Copending Design U.S. Appl. No. 29/498,291, filed Aug. 1, 2014, and its prosecution history.

Copending Design U.S. Appl. No. 29/498,292, filed Aug. 1, 2014, and its prosecution history.

Copending Design U.S. Appl. No. 29/498,294, filed Aug. 1, 2014, and its prosecution history.

Copending Design U.S. Appl. No. 29/498,296, filed Aug. 1, 2014, and its prosecution history.

* cited by examiner

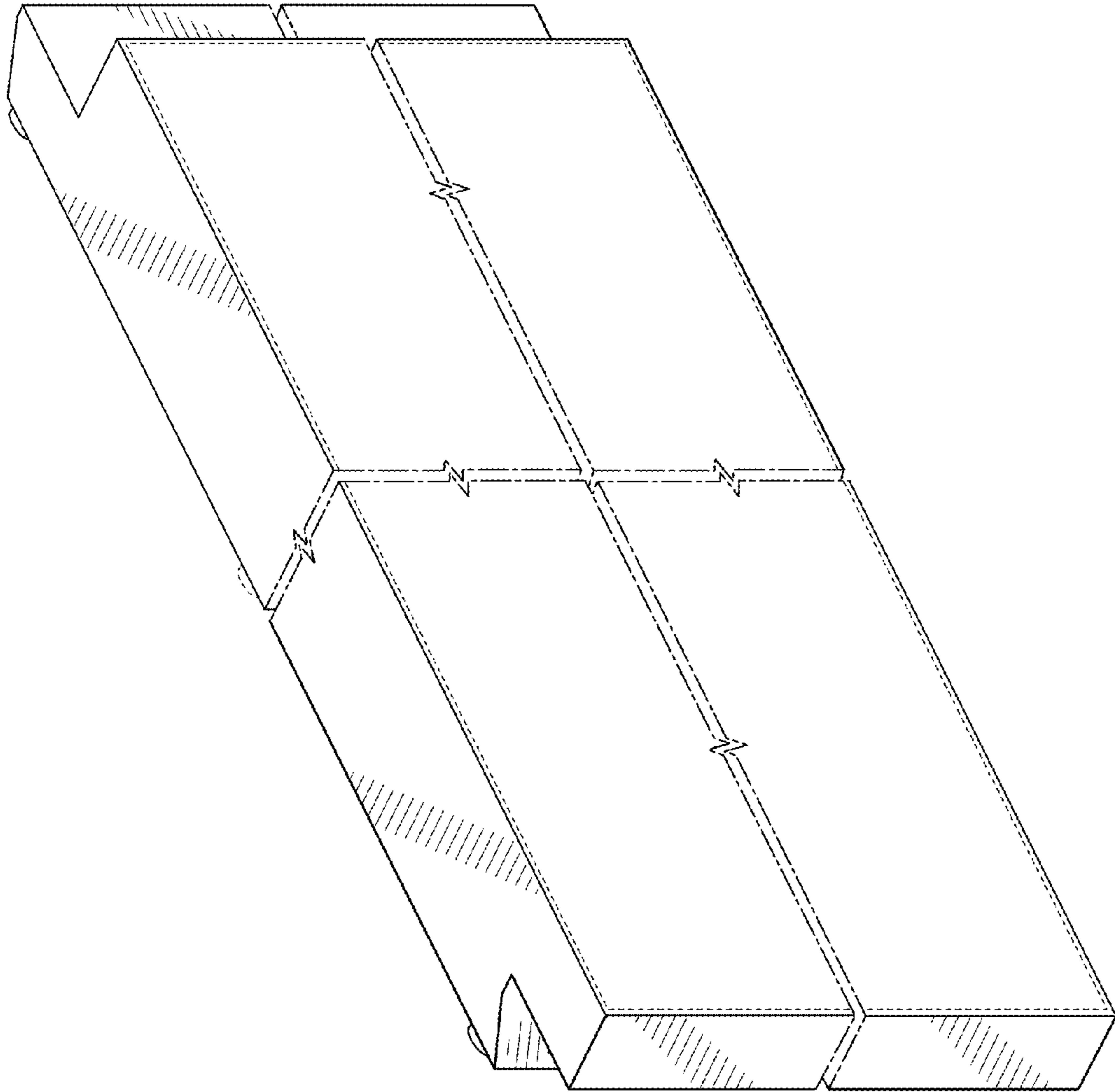


FIG. 1

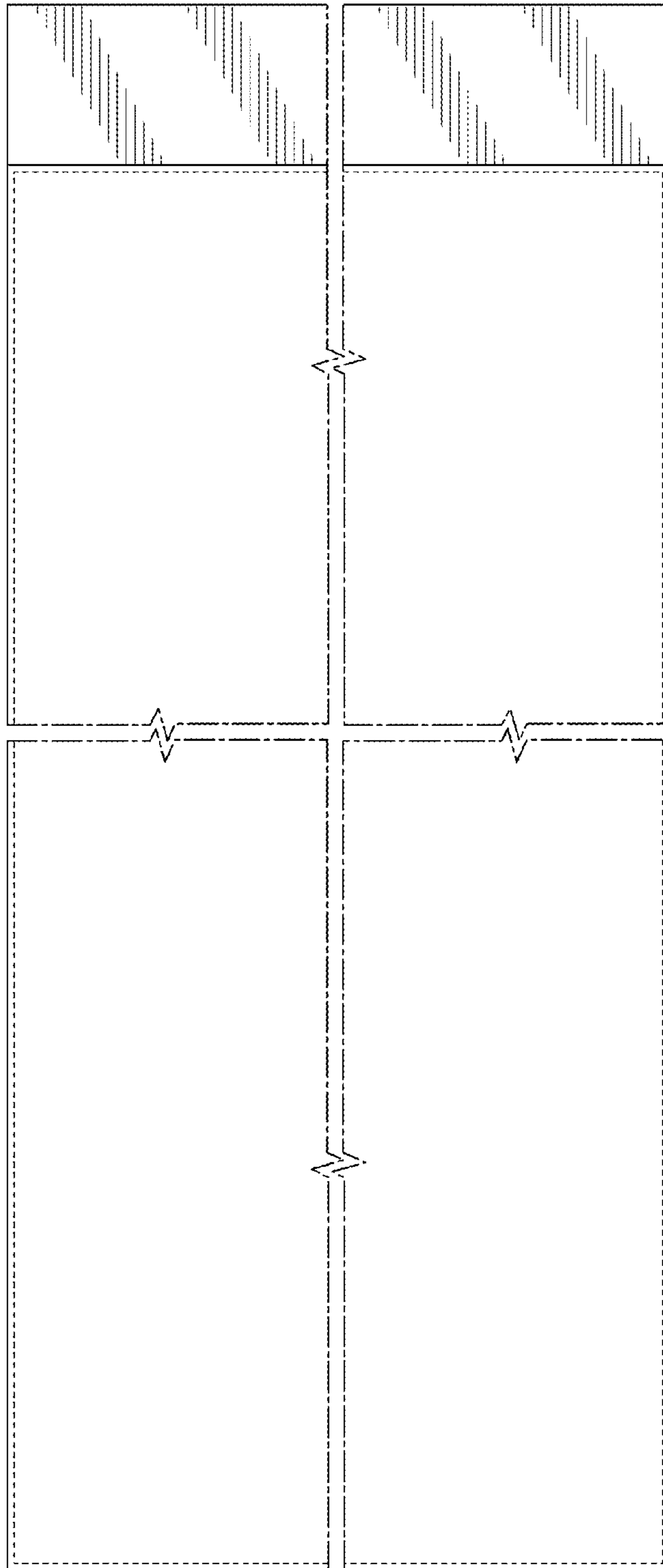


FIG. 2

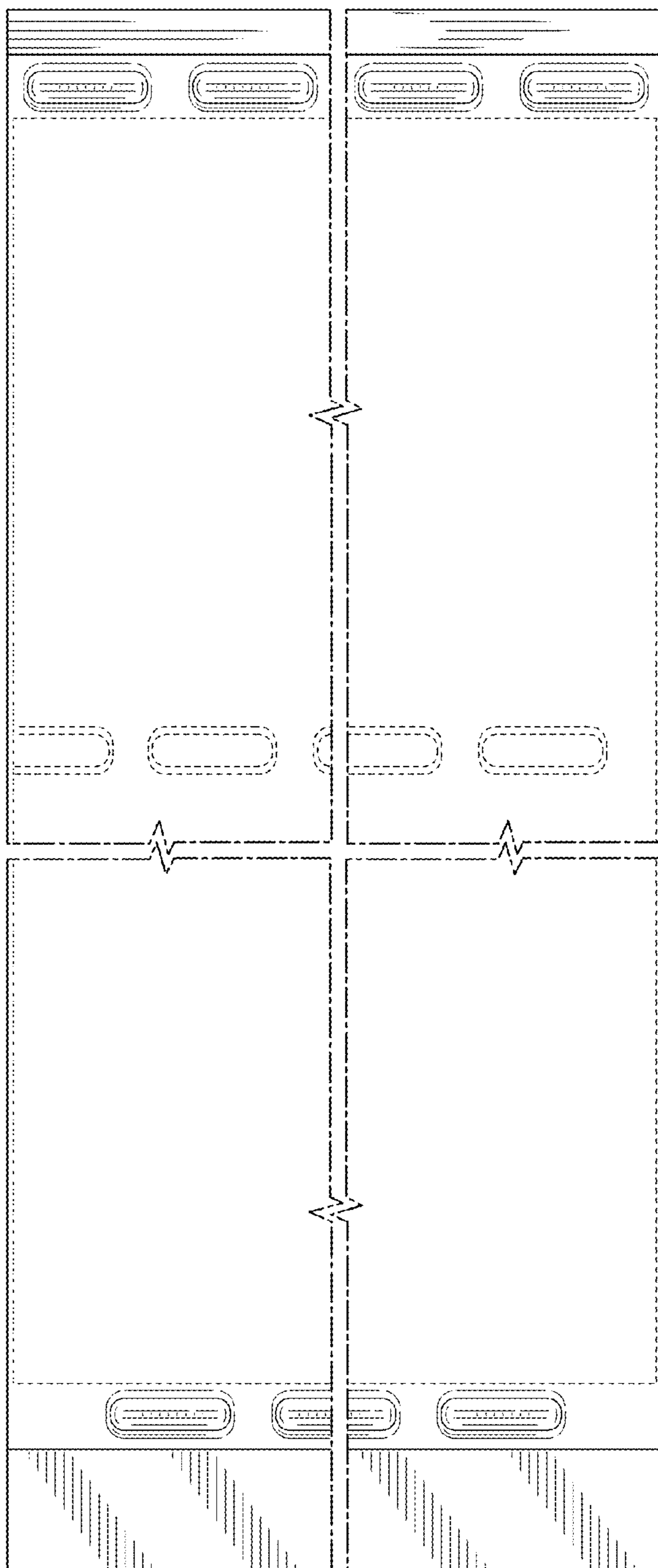


FIG. 3

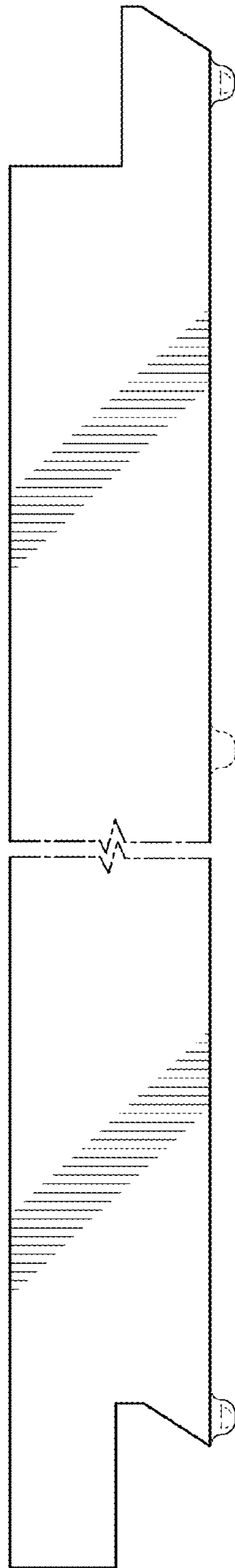


FIG. 4

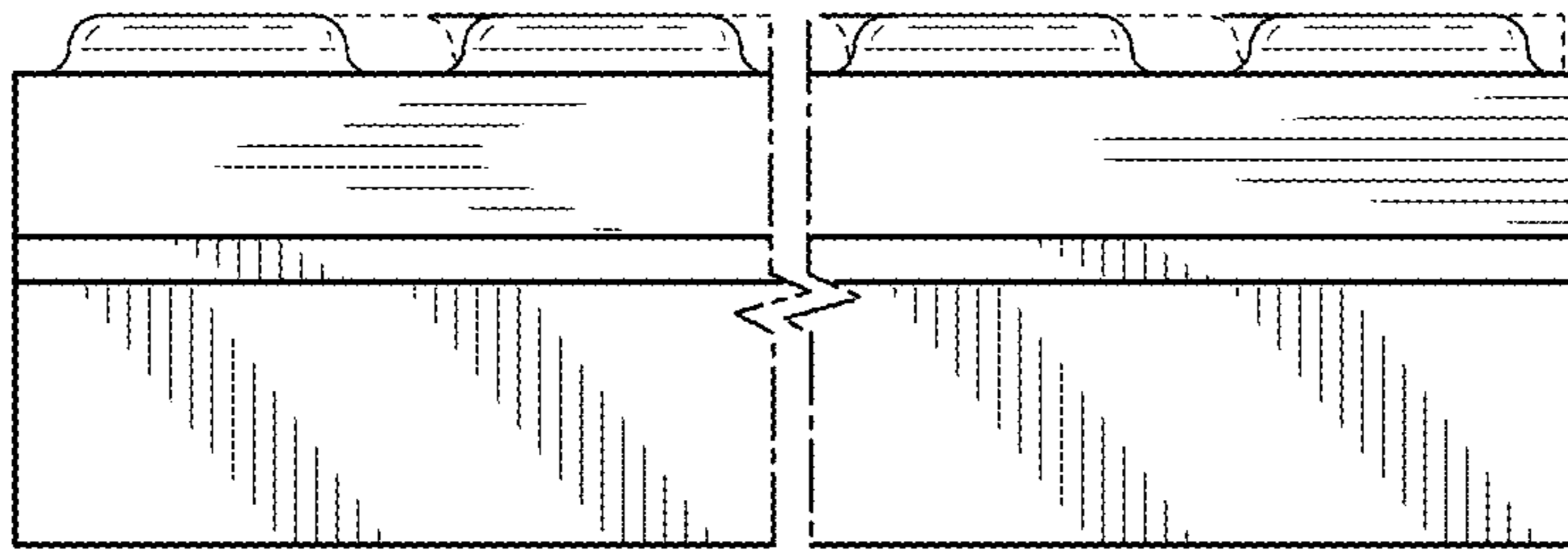


FIG. 5

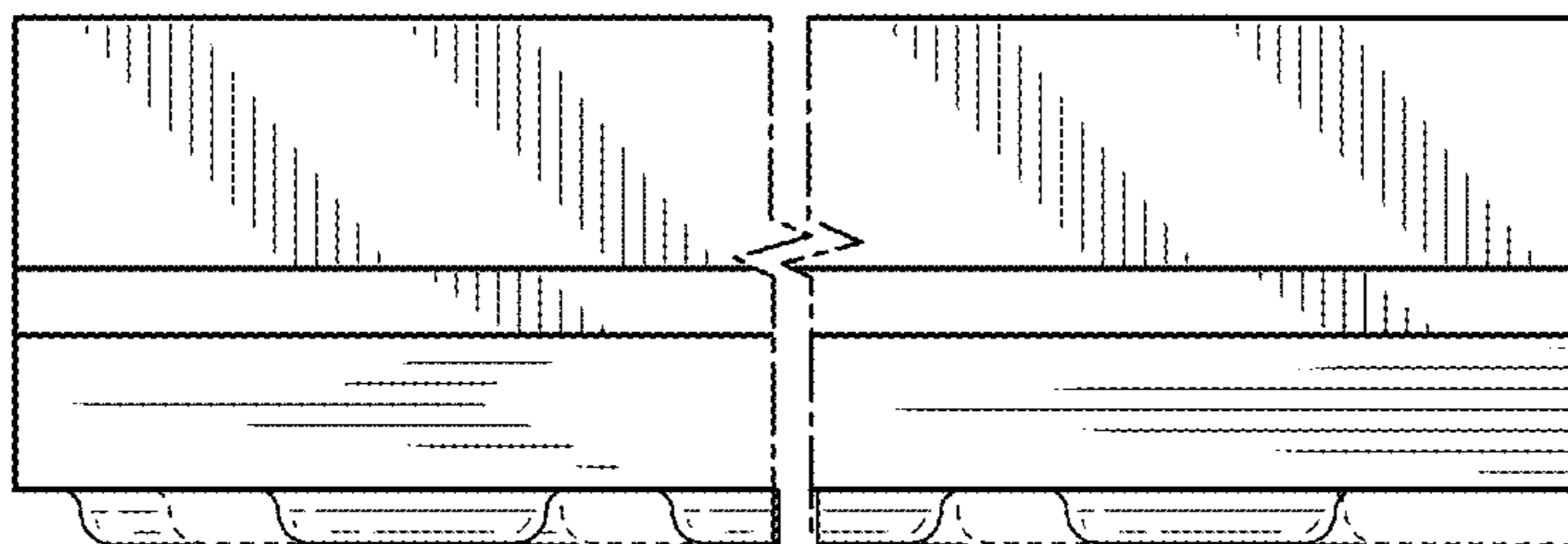


FIG. 6