



US00D755991S

(12) **United States Design Patent**
Hill et al.

(10) **Patent No.:** **US D755,991 S**

(45) **Date of Patent:** **** May 10, 2016**

(54) **BUILDING MATERIAL**

(71) Applicant: **Boral IP Holdings (Australia) PTY Limited**, North Sydney (AU)

(72) Inventors: **Russell Hill**, San Antonio, TX (US);
Brian Below, Atlanta, GA (US);
Kenneth Bruns, Charlotte, NC (US);
Joel Charlton, Roswell, GA (US)

(73) Assignee: **Boral IP Holdings (Australia) PTY Limited**, North Sydney (AU)

(**) Term: **14 Years**

(21) Appl. No.: **29/498,296**

(22) Filed: **Aug. 1, 2014**

(51) **LOC (10) Cl.** **25-01**

(52) **U.S. Cl.**
USPC **D25/118**

(58) **Field of Classification Search**
USPC D25/119, 138; 52/588.1, 589.1, 590.1,
52/590.2, 506.01, 578
CPC E04F 15/02-15/04
See application file for complete search history.

(56) **References Cited**

U.S. PATENT DOCUMENTS

148,016	A *	2/1874	Winans	E04F 15/04 52/539
2,797,450	A *	7/1957	Ropella	E06B 5/16 428/50
2,902,853	A *	9/1959	Lofstrom	E04B 2/18 52/286
4,065,899	A	1/1978	Kirkhuff		
4,183,454	A	1/1980	Snell		
D410,868	S	6/1999	Hall		
6,467,229	B2 *	10/2002	Azar	E04B 2/06 52/589.1
6,546,691	B2 *	4/2003	Leopolder	E04F 15/02 52/590.2
D483,882	S	12/2003	Glatz		
D514,236	S	1/2006	Glatz		
D526,248	S	8/2006	Stidham et al.		

D528,671	S	9/2006	Grafenauer		
D553,760	S	10/2007	Schrader		
D561,916	S	2/2008	Visintin		
D562,466	S	2/2008	Visintin		
D562,467	S	2/2008	Coulson		
D578,669	S	10/2008	Kaump		
D603,066	S *	10/2009	Warren	D25/138
7,713,615	B2 *	5/2010	Black	B28B 1/002 428/113
D629,125	S	12/2010	Johnston		

(Continued)

OTHER PUBLICATIONS

Copending Design U.S. Appl. No. 29/498,290, filed Aug. 1, 2014, and its prosecution history.

(Continued)

Primary Examiner — Susan E Krakower

Assistant Examiner — Camelia Styles

(74) *Attorney, Agent, or Firm* — Meunier Carlin & Curfman LLC

(57) **CLAIM**

The ornamental design for a building material, as shown and described.

DESCRIPTION

FIG. 1 is a front perspective view of a building material showing our new design.

FIG. 2 is a front view thereof.

FIG. 3 is a back view thereof.

FIG. 4 is a left-side view thereof. The right-side view thereof is a mirror image of the left-side view.

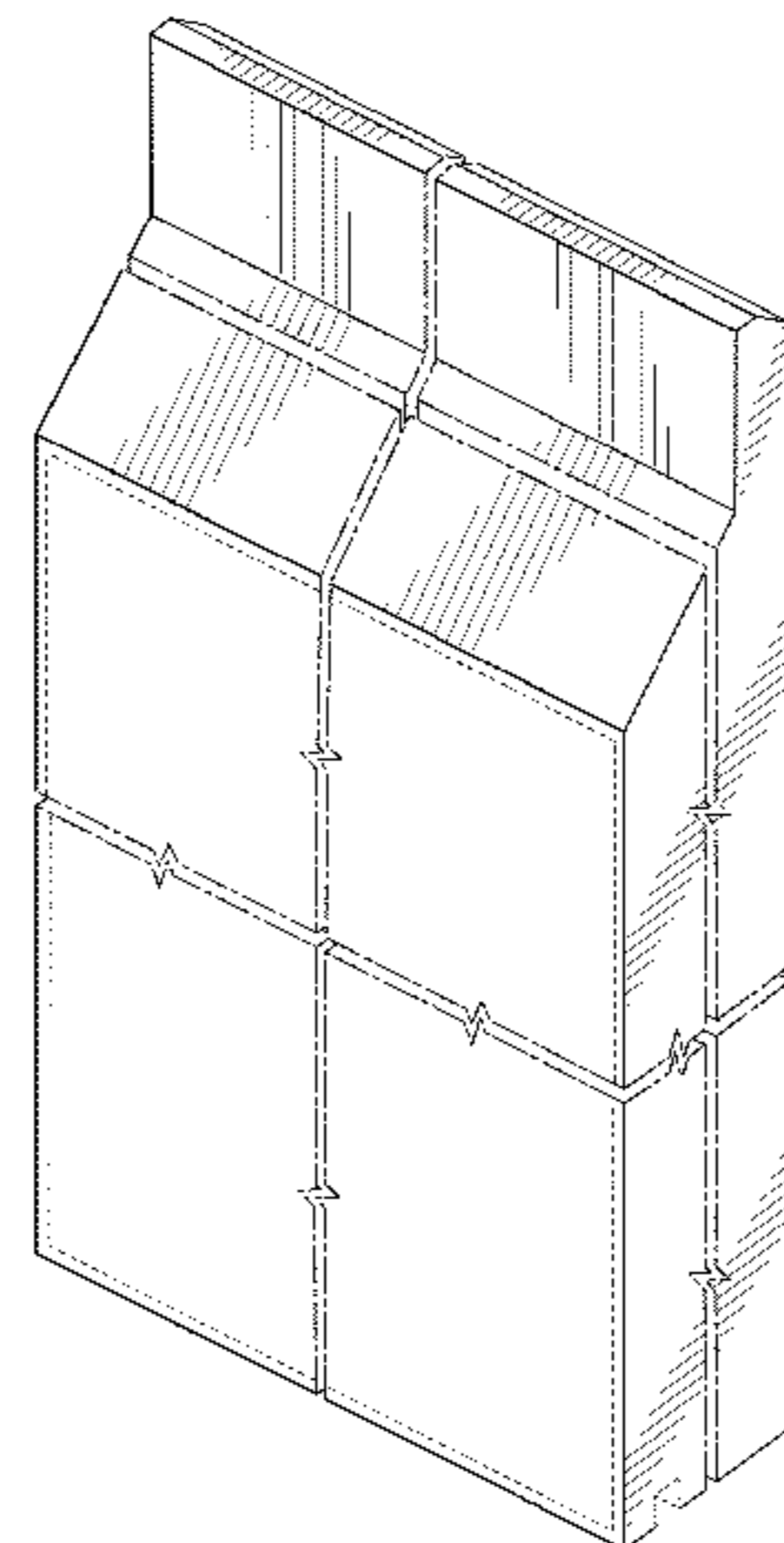
FIG. 5 is a top view thereof; and,

FIG. 6 is a bottom view thereof.

The jagged broken lines traversing, both vertically and horizontally, through the building material, indicate that any portion of the article between the break lines forms no part of the claimed design.

The broken lines illustrate portions of the front and back surfaces which form no part of the claimed design.

1 Claim, 3 Drawing Sheets



(56)

References Cited

U.S. PATENT DOCUMENTS

7,892,617	B2 *	2/2011	Bathelier	E04F 13/08 428/221
D634,026	S	3/2011	Baccarini	
D661,818	S	6/2012	Hamblin	
D666,326	S	8/2012	Sims	
8,397,459	B2 *	3/2013	Gately	E04F 13/0864 52/409
8,409,380	B2	4/2013	Black et al.	
8,453,411	B2 *	6/2013	Braun	C09J 5/00 428/425.1
D686,757	S	7/2013	Johnston	
D694,434	S	11/2013	Valentine	
D701,620	S	3/2014	Valentine	
D720,865	S	1/2015	Gori et al.	
D720,867	S	1/2015	Agyin	
D721,189	S	1/2015	Gori et al.	
D729,949	S *	5/2015	Hartman	D25/119
D733,928	S *	7/2015	Smith	D25/48.2
D736,452	S *	8/2015	Huang	D26/120
9,140,018	B2 *	9/2015	Southwell	E04F 13/0817
D742,552	S	11/2015	Swanson	
2013/0160387	A1	6/2013	DiLonardo et al.	
2013/0199121	A1	8/2013	Grau	

OTHER PUBLICATIONS

Copending Design U.S. Appl. No. 29/498,291, filed Aug. 1, 2014, and its prosecution history.

Copending Design U.S. Appl. No. 29/498,292, filed Aug. 1, 2014, and its prosecution history.

Copending Design U.S. Appl. No. 29/498,294, filed Aug. 1, 2014, and its prosecution history.

California Redwood Association, Redwood Lumber Patterns No. 17, available at <http://www.redwoodinspection.com/pdf/Patterns17.pdf> (accessed Jul. 1, 2014).

Selflok Millwood Smooth, available at <http://www.weathertex.com.au/products/weatherboards/selflok/selflok-millwood-smooth/> (accessed Jul. 1, 2014).

Selflok Millwood Ruff Sawn, available at <http://www.weathertex.com.au/products/weatherboards/selflok/selflok-millwood-ruff-sawn/> (accessed Jul. 1, 2014).

Selflok Old Colonial Smooth, available at <http://www.weathertex.com.au/products/weatherboards/selflok/selflok-old-colonial-smooth/> (accessed Jul. 1, 2014).

Selflok Texwood Smooth, available at <http://www.weathertex.com.au/products/weatherboards/selflok/selflok-texwood-smooth/> (accessed Jul. 1, 2014).

Selflok Ecogroove 150 Smooth available at <http://www.weathertex.com.au/products/weatherboards/selflok/selflok-ecogroove-150-smooth/> (accessed Jul. 1, 2014).

Selflok Ecogroove 150 Woodman available at <http://www.weathertex.com.au/products/weatherboards/selflok/selflok-ecogroove-150-woodsman/> (accessed Jul. 1, 2014).

Selflok Ecogroove 300 Smooth available at <http://www.weathertex.com.au/products/weatherboards/selflok/selflok-ecogroove-300-smooth/> (accessed Jul. 1, 2014).

Selflok Ecogroove 300 Woodsman a available at <http://www.weathertex.com.au/products/weatherboards/selflok/selflok-ecogroove-300-woodsman/> (accessed Jul. 1, 2014).

* cited by examiner

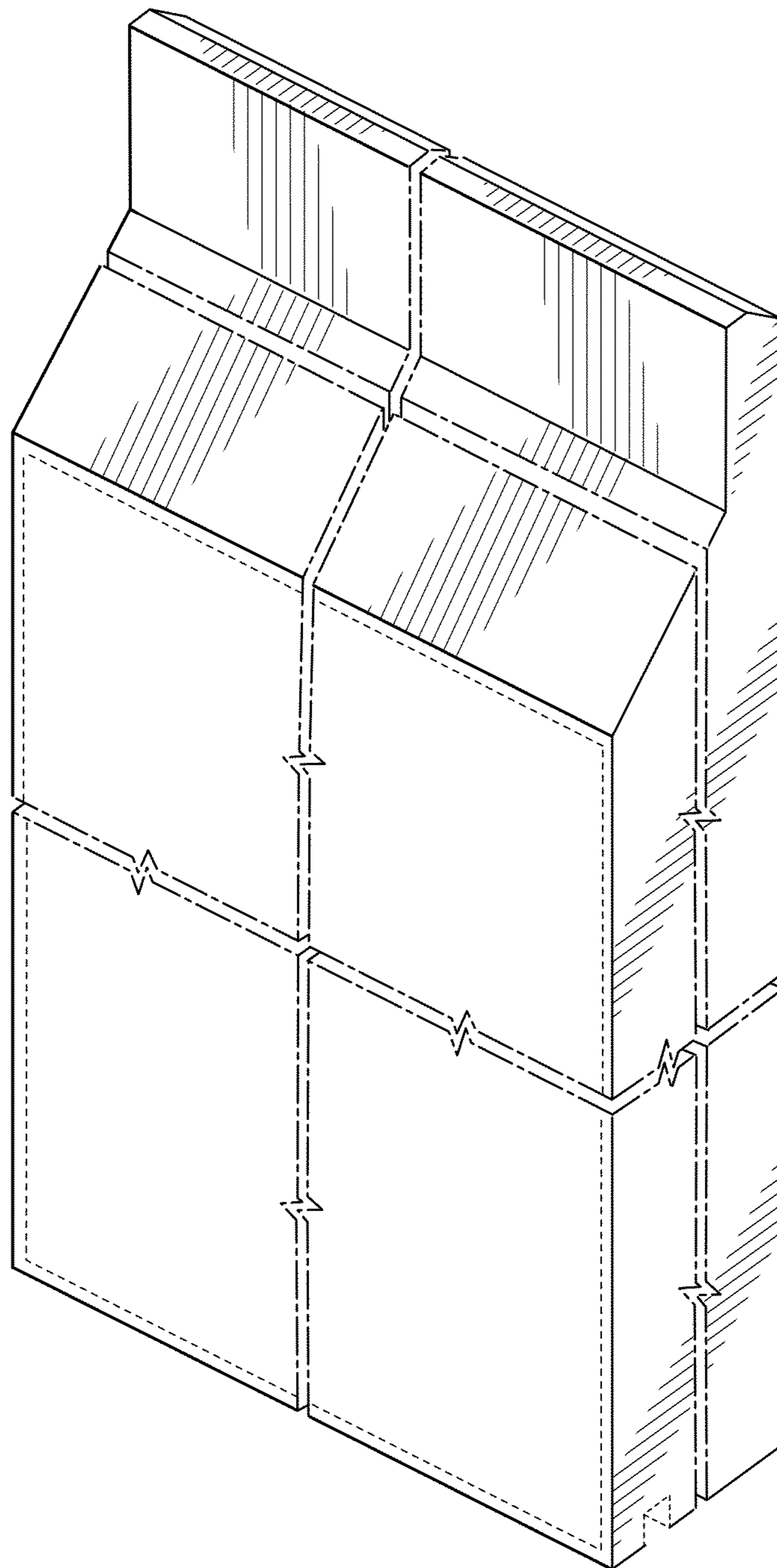


FIG. 1

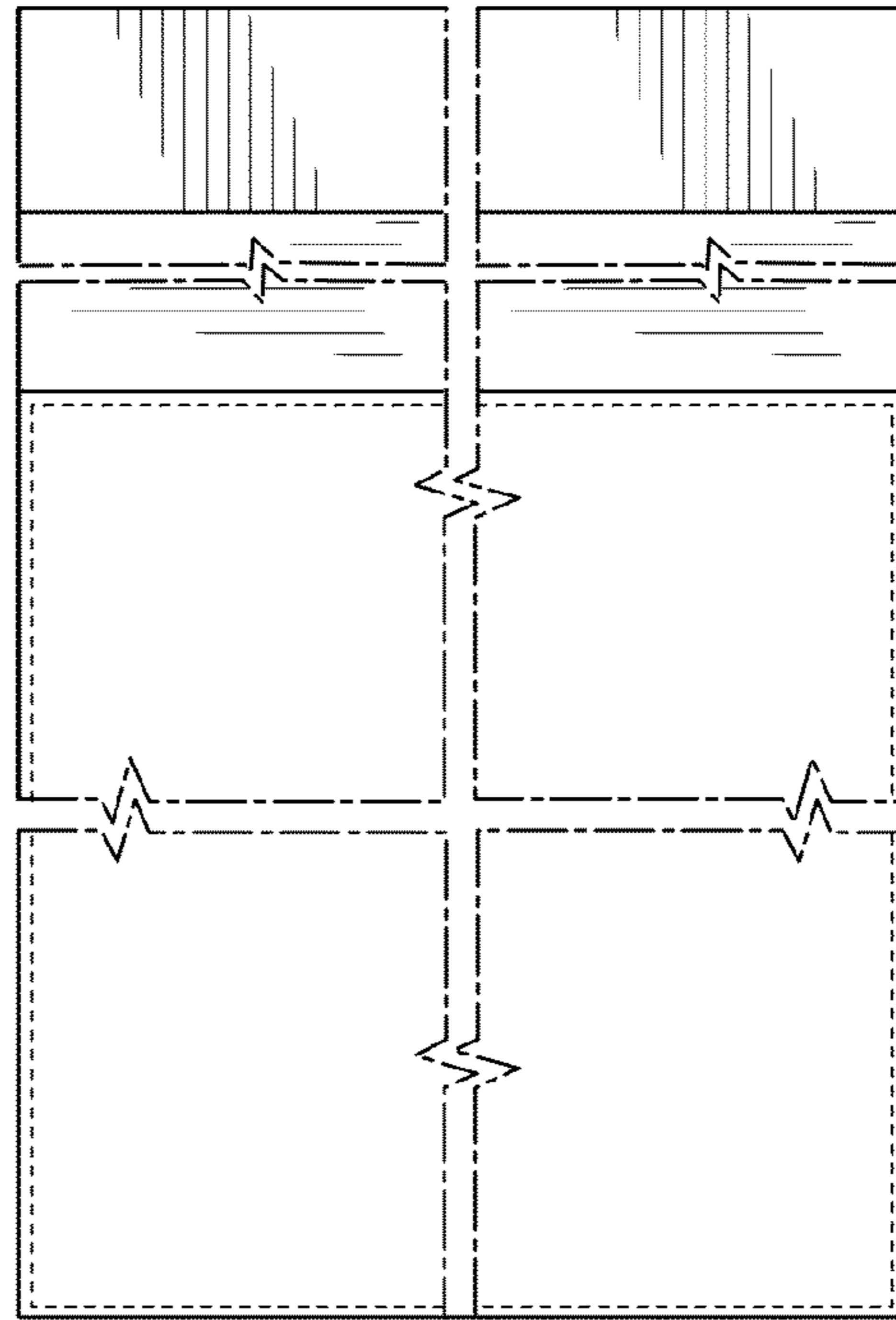


FIG. 2

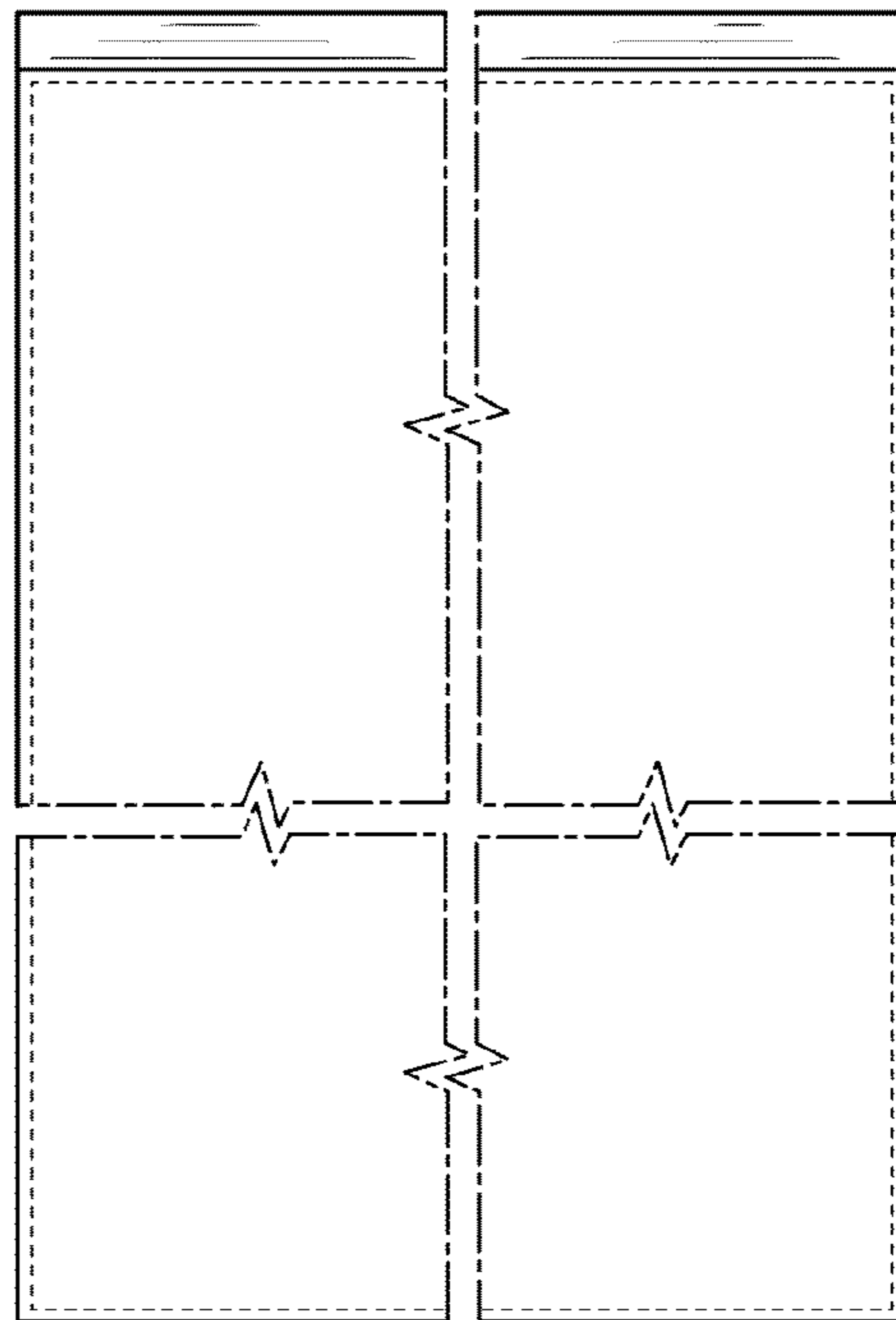


FIG. 3

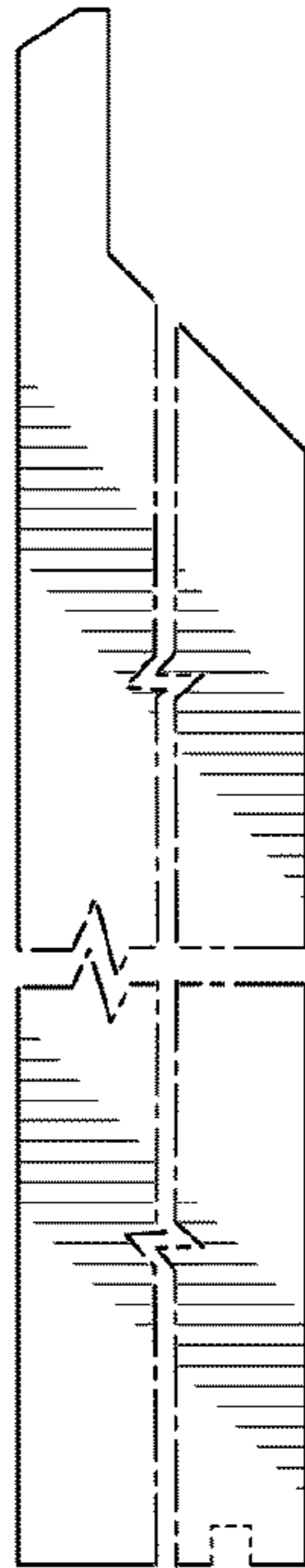


FIG. 4

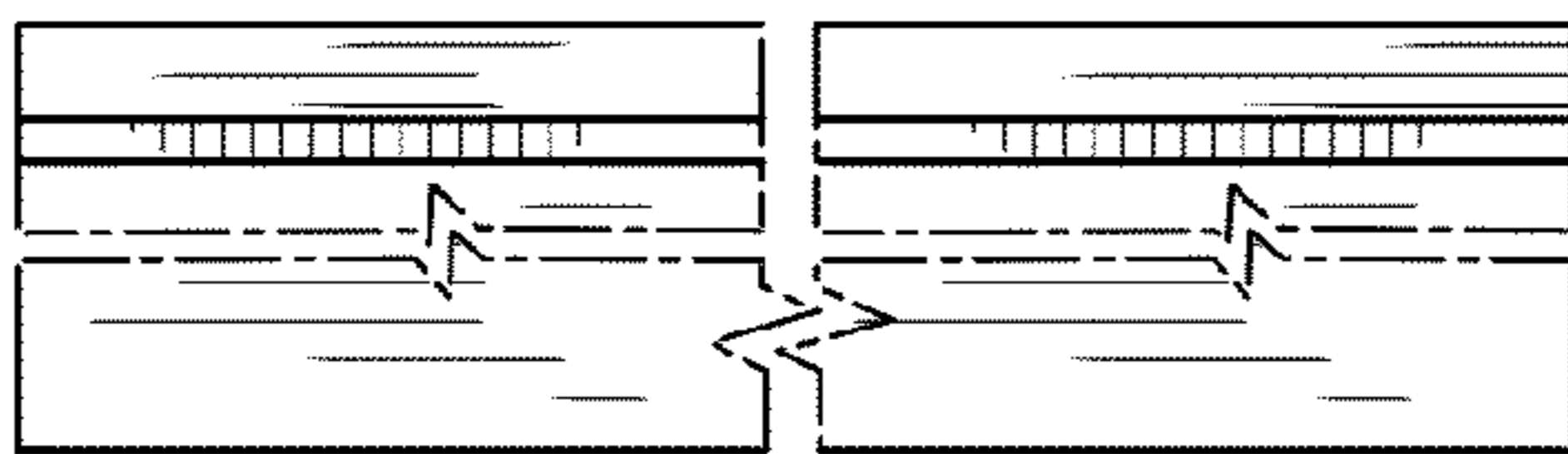


FIG. 5

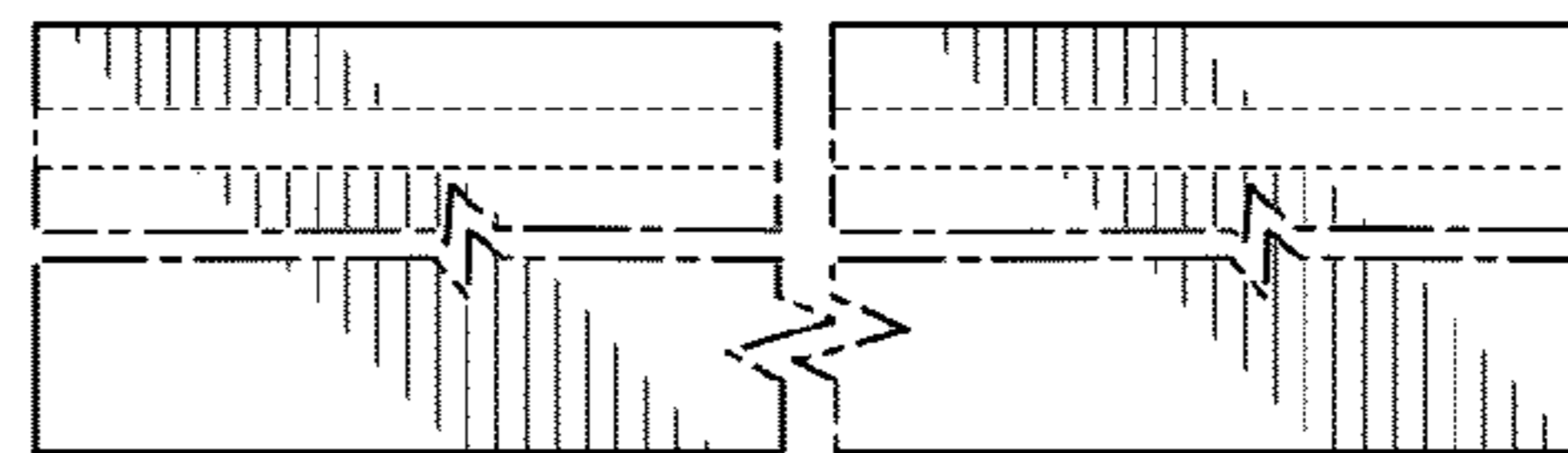


FIG. 6