



US00D755987S

(12) **United States Design Patent**  
**Indio da Costa et al.**

(10) **Patent No.:** **US D755,987 S**  
(45) **Date of Patent:** **\*\* May 10, 2016**

(54) **BUS SHELTER**

(71) Applicant: **Odebrecht Transport Participações S/A, São Paulo (BR)**

(72) Inventors: **Luiz Eduardo Indio da Costa, Rio de Janeiro (BR); Luiz Augusto de Siqueira Índio da Costa, Rio de Janeiro (BR); Till Pupak, Rio de Janeiro (BR)**

(73) Assignee: **Odebrecht Transport Participações S/A, Sao Paulo (BR)**

(\*\*) Term: **14 Years**

(21) Appl. No.: **29/440,024**

(22) Filed: **Dec. 18, 2012**

(30) **Foreign Application Priority Data**

Jun. 18, 2012 (BR) ..... 302012003715

(51) **LOC (10) Cl.** ..... **25-03**

(52) **U.S. Cl.**  
USPC ..... **D25/1**

(58) **Field of Classification Search**  
USPC ..... D25/1-35, 56; 135/90, 97; 136/251;  
52/173.3, 36.2, 73, 79.1, 28, 36.1  
See application file for complete search history.

(56) **References Cited**

**U.S. PATENT DOCUMENTS**

3,735,536	A *	5/1973	Bellasalma	.....	52/73
3,762,109	A *	10/1973	Cohen	.....	52/11
4,018,016	A *	4/1977	Zale	.....	52/79.1
D250,836	S *	1/1979	Lahaie	.....	D25/1
D252,215	S *	6/1979	Leuthesser	.....	D25/1
D336,136	S *	6/1993	Foster	.....	D25/1
D403,434	S *	12/1998	Sander	.....	D25/1

D406,352	S *	3/1999	Kleihues	.....	D25/1
D409,759	S *	5/1999	Foster	.....	D25/1
D433,512	S *	11/2000	Grange	.....	D25/1
D438,635	S *	3/2001	Da Costa	.....	D25/1
D500,143	S *	12/2004	Moncho et al.	.....	D25/56
D529,192	S *	9/2006	Whalen	.....	D25/56
D530,432	S *	10/2006	Gottesdiener	.....	D25/56
D535,034	S *	1/2007	Gottesdiener	.....	D25/56
7,237,360	B2 *	7/2007	Moncho et al.	.....	52/28
D587,817	S *	3/2009	Giugiaro	.....	D25/56
D592,762	S *	5/2009	King et al.	.....	D25/56
D593,213	S *	5/2009	Grimshaw et al.	.....	D25/56
D603,973	S *	11/2009	Jackson et al.	.....	D25/56
D653,709	S *	2/2012	Allen	.....	D20/39
D659,259	S *	5/2012	Duddy	.....	D25/32
D663,779	S *	7/2012	Lueken	.....	D20/19
D703,271	S *	4/2014	Lueken	.....	D20/19
D717,472	S *	11/2014	Indio Da Costa et al.	.....	D25/56

\* cited by examiner

*Primary Examiner* — Ian Simmons

*Assistant Examiner* — Samantha Q Lawrence

(74) *Attorney, Agent, or Firm* — Sughrue Mion, PLLC

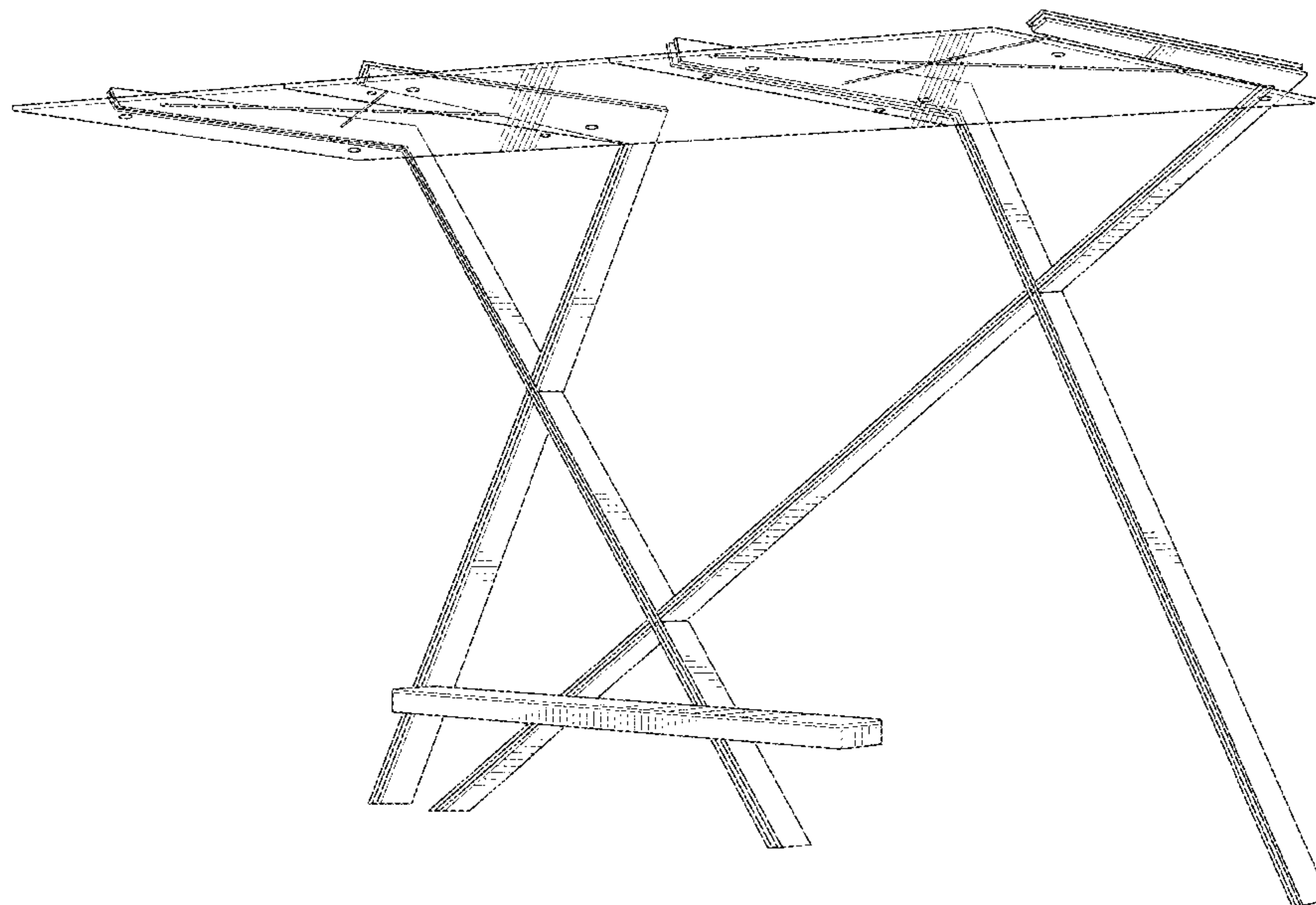
(57) **CLAIM**

The ornamental design for a bus shelter, as shown and described.

**DESCRIPTION**

FIG. 1—a front view of a bus shelter showing our new design;  
FIG. 2—a rear view of the bus shelter;  
FIG. 3—a right side view of the bus shelter;  
FIG. 4—a left side view of the bus shelter;  
FIG. 5—a top view of the bus shelter;  
FIG. 6—a bottom view of the bus shelter;  
FIG. 7—a front perspective view of the bus shelter; and,  
FIG. 8—a rear perspective view of the bus shelter.  
The broken lines shown in FIG. 6 illustrate portions of the bus shelter that form no part of the claimed design.

**1 Claim, 7 Drawing Sheets**



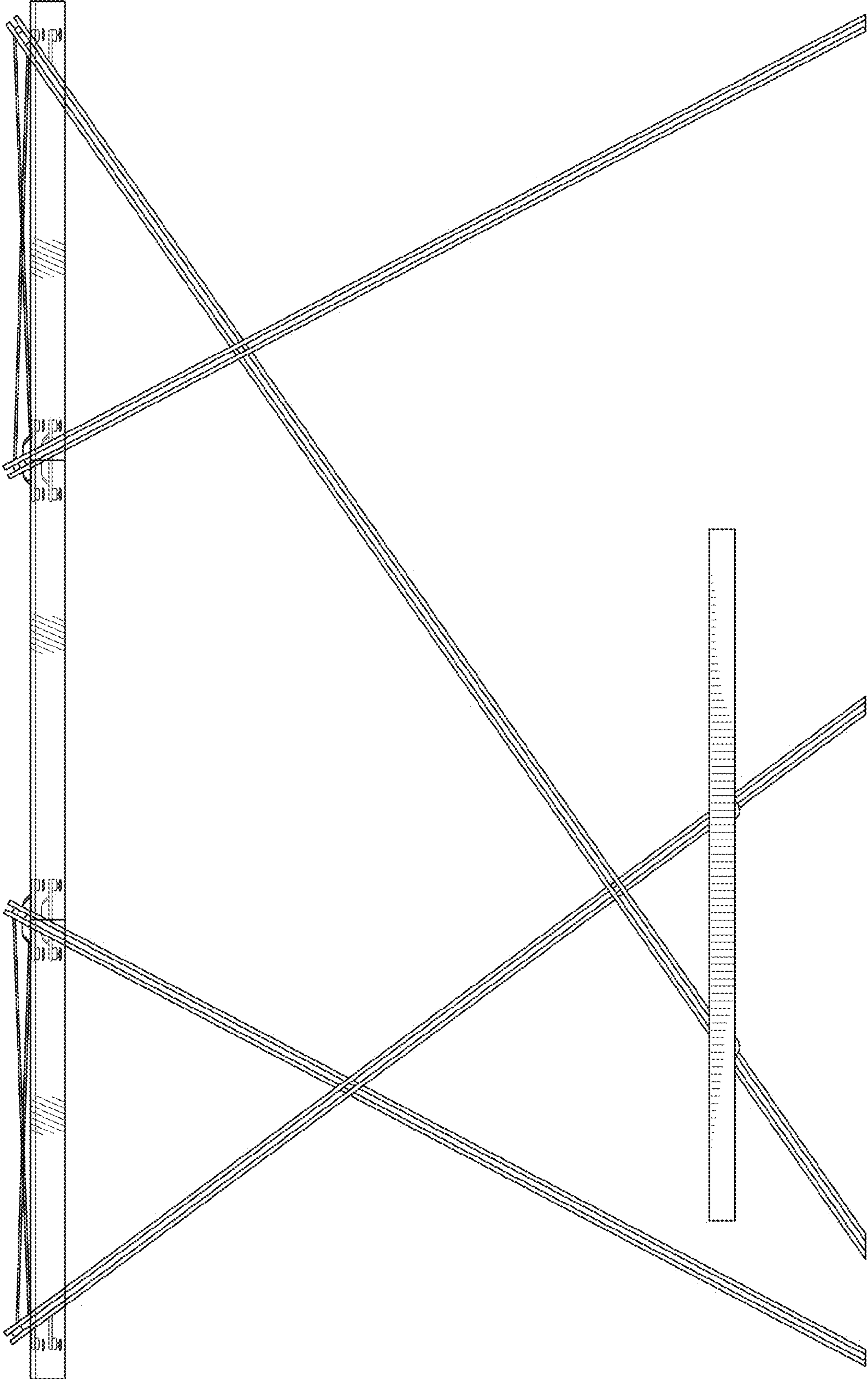


FIG. 1



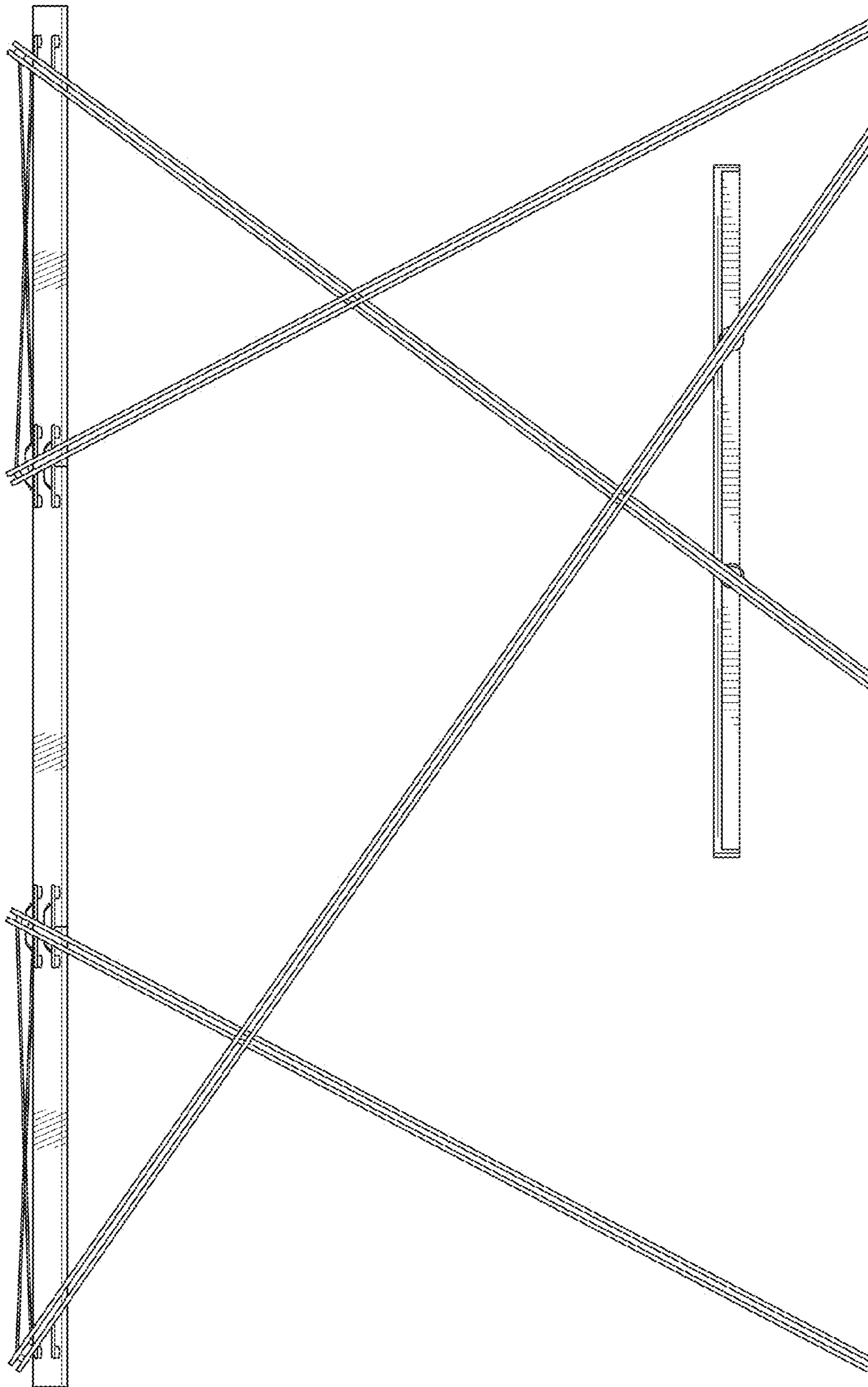


FIG. 2

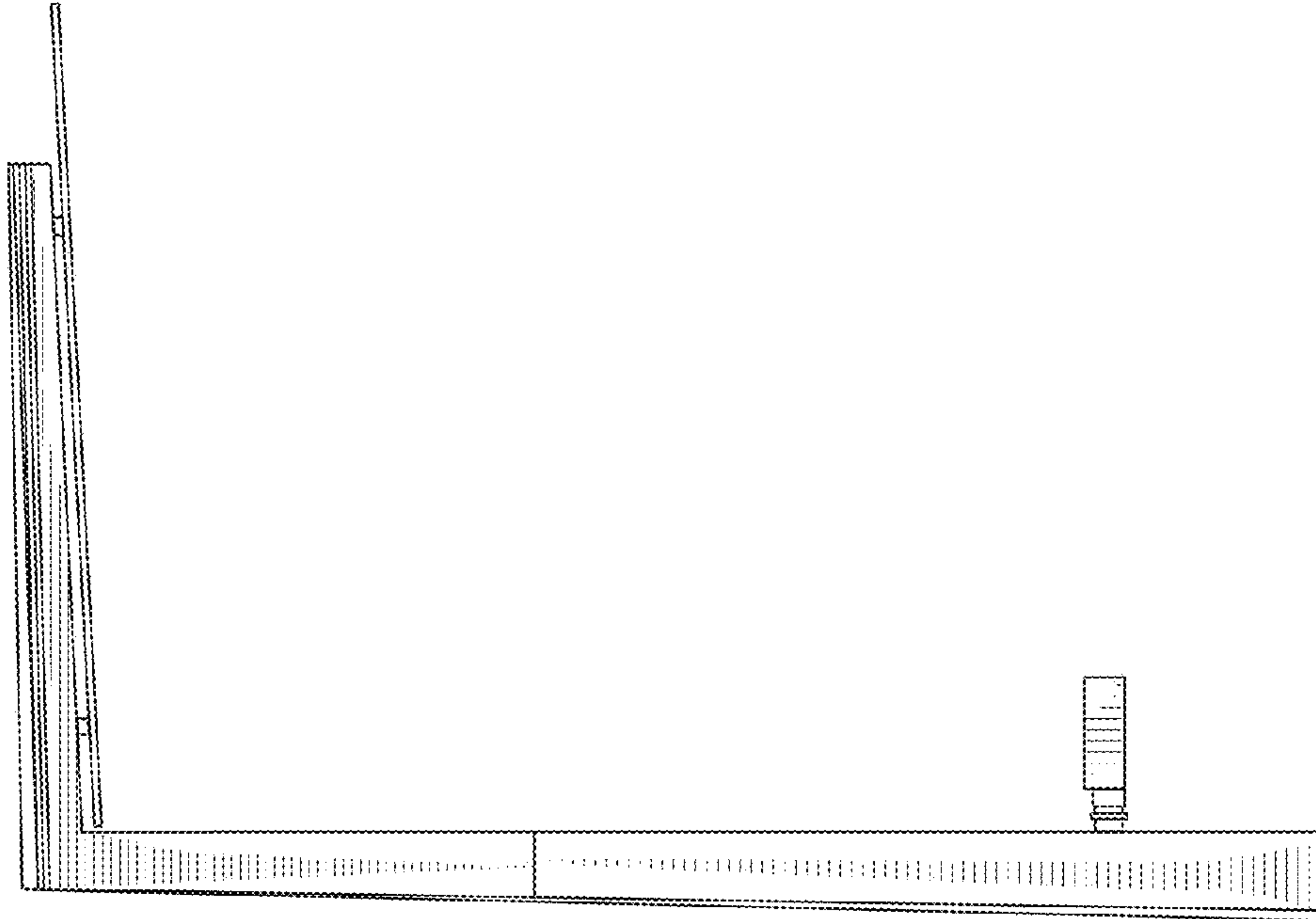


FIG. 4

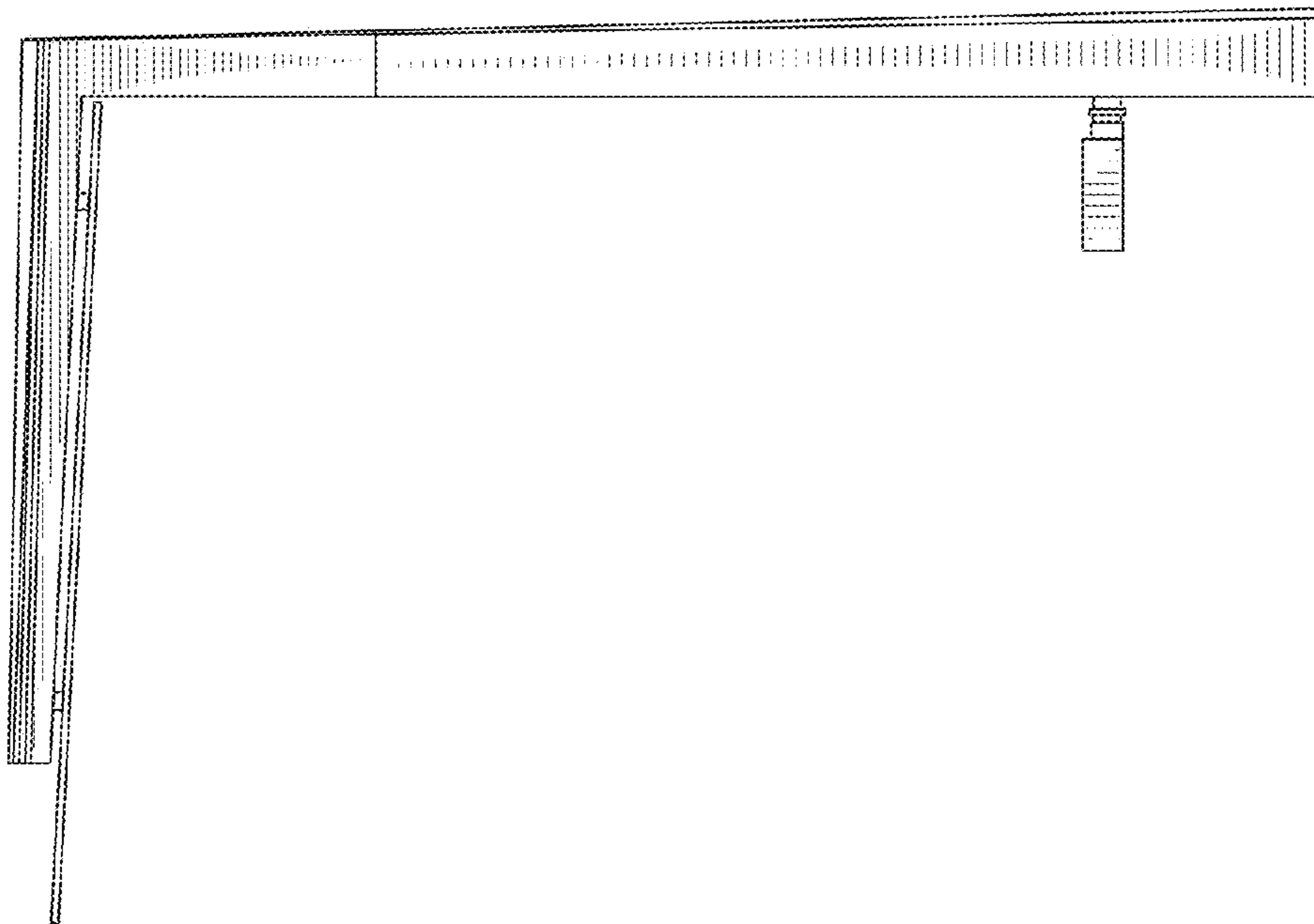


FIG. 3

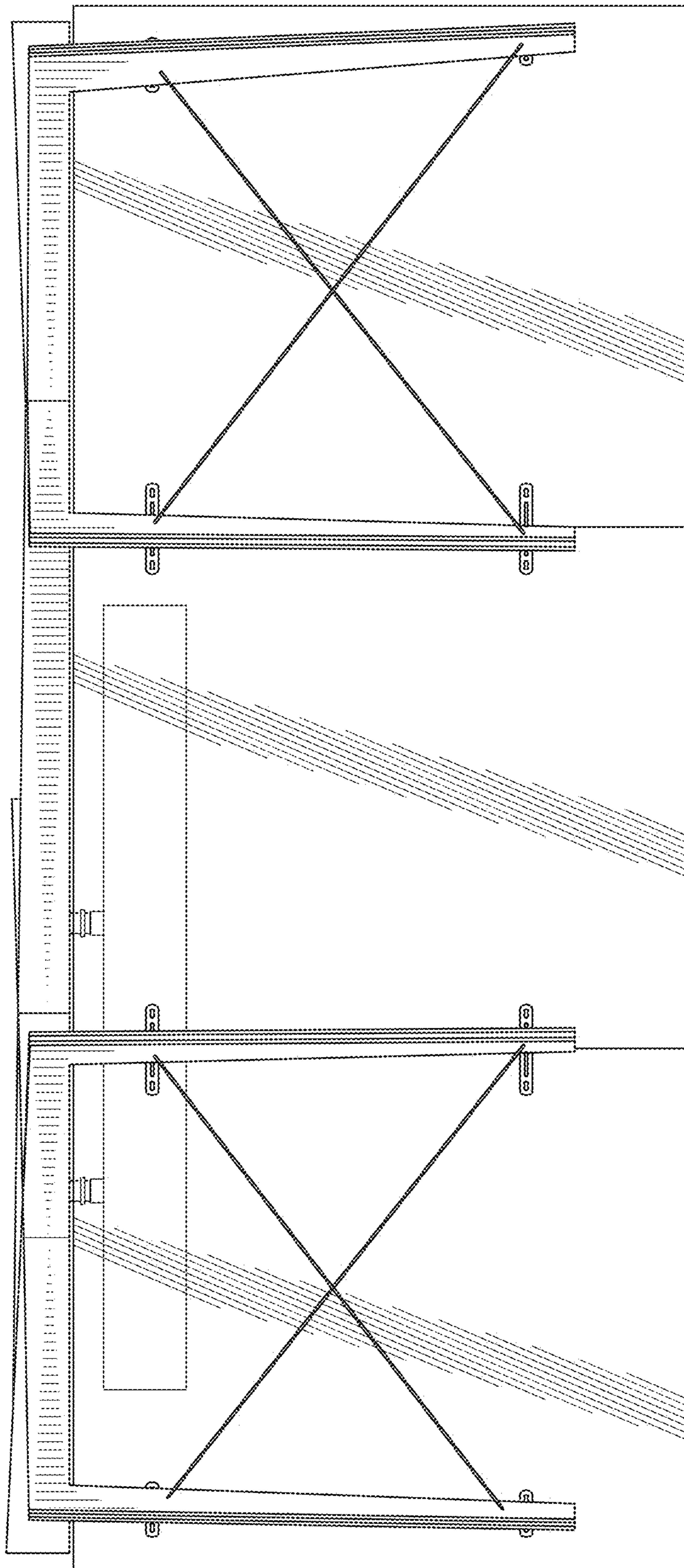


FIG. 5



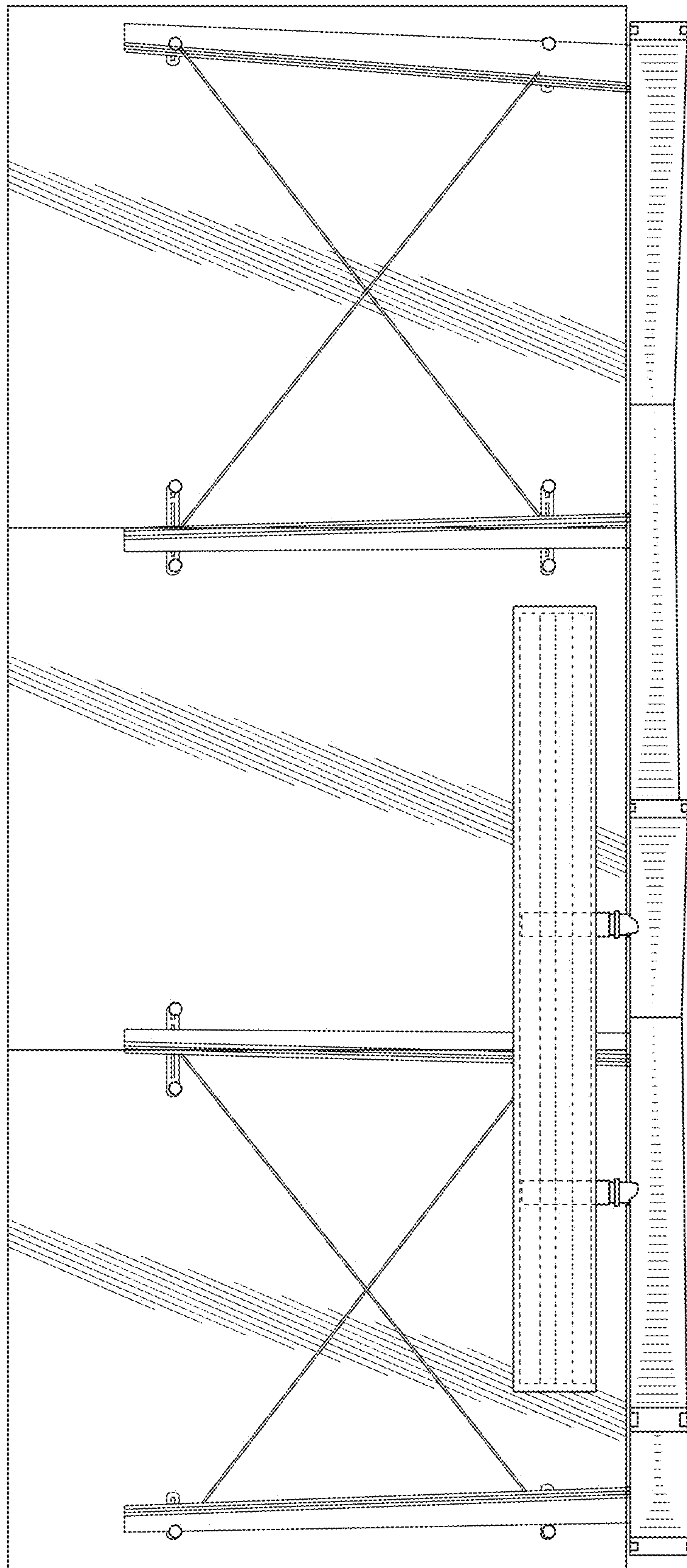


FIG. 6

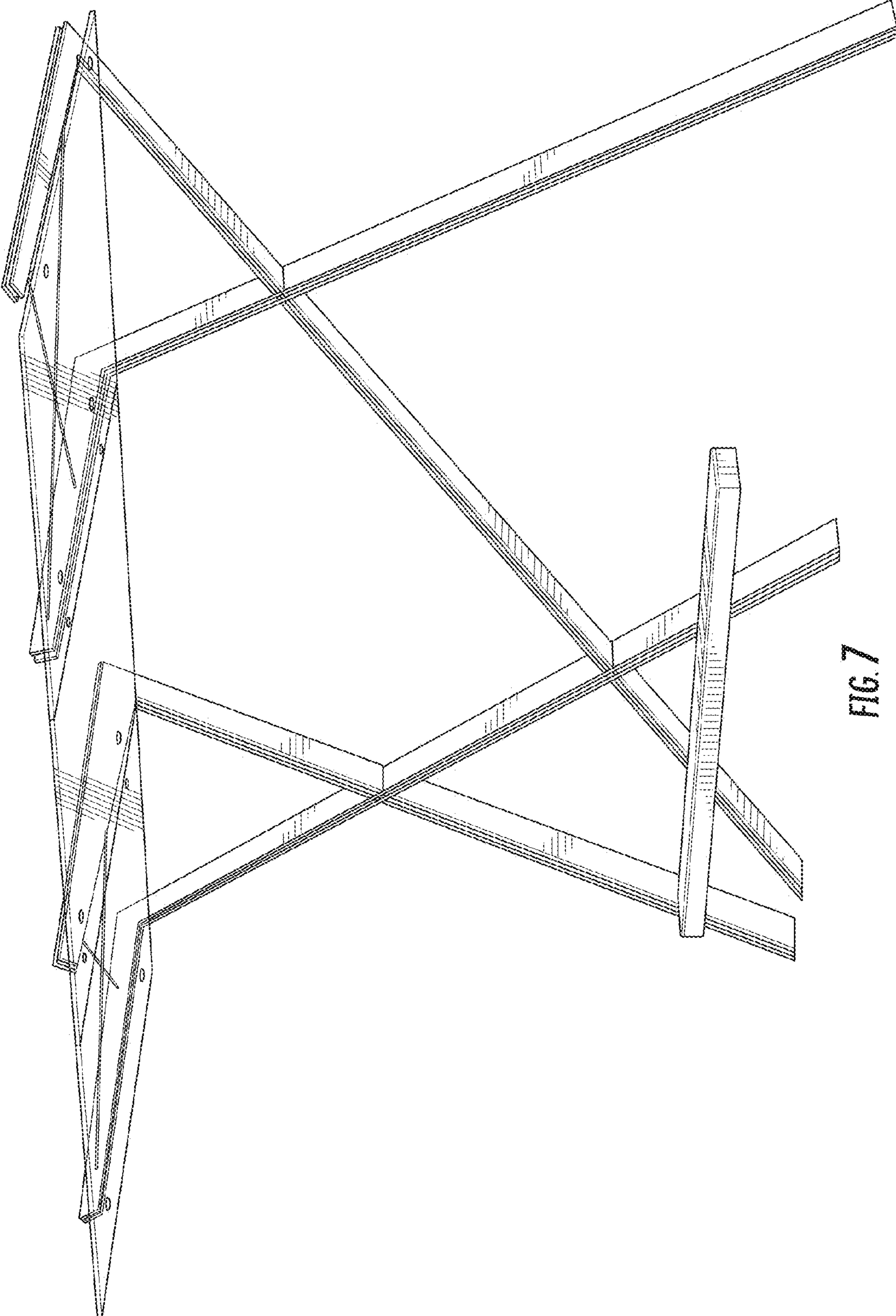


FIG. 7

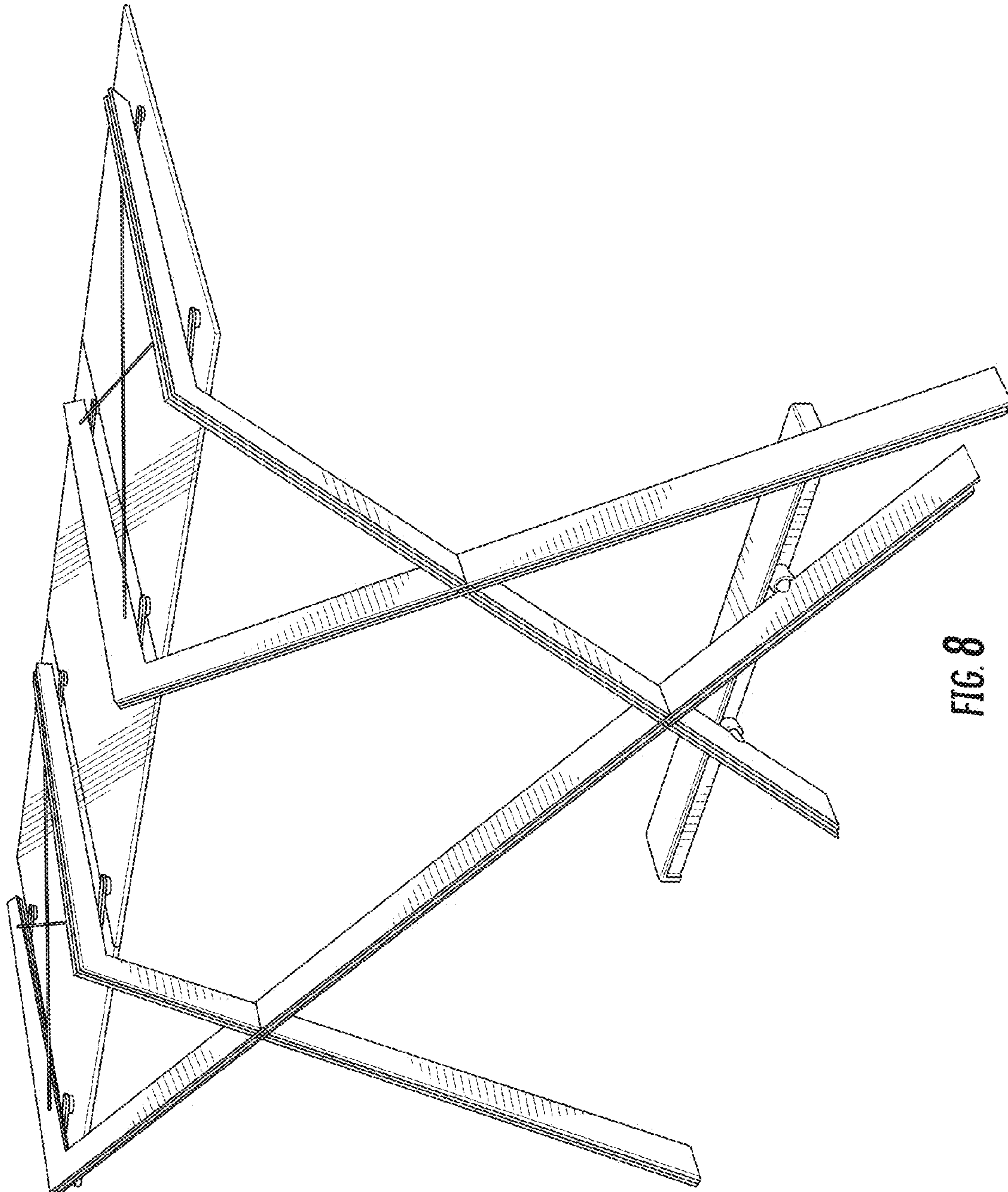


FIG. 8