



US00D755981S

(12) **United States Design Patent**  
**Shamaiengar**

(10) **Patent No.:** **US D755,981 S**  
(45) **Date of Patent:** **\*\* May 10, 2016**

(54) **ARM SUPPORT DEVICE**

(71) Applicant: **Ravi Shamaingar**, Williamsburg, VA  
(US)

(72) Inventor: **Ravi Shamaingar**, Williamsburg, VA  
(US)

(\*\*) Term: **14 Years**

(21) Appl. No.: **29/509,454**

(22) Filed: **Nov. 18, 2014**

(51) **LOC (10) Cl.** ..... **24-04**

(52) **U.S. Cl.**  
USPC ..... **D24/190**

(58) **Field of Classification Search**  
USPC ..... D24/188-192; D29/101.1-101.4  
CPC ... A61F 5/3738; A61F 5/026; A61F 5/05808;  
A61F 5/028; A61F 5/3746; Y10S 128/19;  
A45F 5/00; A45F 3/14; A63B 69/0059  
See application file for complete search history.

(56) **References Cited**

**U.S. PATENT DOCUMENTS**

- 3,338,236 A \* 8/1967 McLeod, Jr. .... A61F 5/05808  
128/DIG. 19
- 3,897,776 A \* 8/1975 Gaylord, Jr. .... A61F 5/05808  
128/DIG. 19
- 5,395,306 A \* 3/1995 Bauerfeind ..... A61F 5/05808  
128/876
- D374,977 S \* 10/1996 Cook ..... D3/215
- 6,190,340 B1 \* 2/2001 Borell ..... A61F 5/3738  
2/44
- 6,315,747 B1 \* 11/2001 Toole ..... A61F 5/026  
128/DIG. 19
- D471,633 S \* 3/2003 Brown ..... D24/190
- D547,942 S \* 8/2007 Lavine ..... D3/218
- D555,289 S \* 11/2007 Escarcega ..... D29/101.3
- D683,384 S \* 5/2013 Swaggart ..... D16/243

- D713,996 S \* 9/2014 Collett ..... D29/101.1
- D748,277 S \* 1/2016 Chen ..... D24/190
- 2014/0135674 A1 \* 5/2014 Kirk ..... A61F 5/026  
602/20

**OTHER PUBLICATIONS**

Forearm Forklift Moving Harness Value Pack, Model FFMHVP; available at [http://www.amazon.com/Forearm-Forklift-Moving-Harness-FFMHVP/dp/B00D7Q8OX4/ref=sr\\_1\\_2?s=apparel&ie=UTF8&qid=1442953091&sr=8-2](http://www.amazon.com/Forearm-Forklift-Moving-Harness-FFMHVP/dp/B00D7Q8OX4/ref=sr_1_2?s=apparel&ie=UTF8&qid=1442953091&sr=8-2) &keywords=forearm+forklift+moving+harness; 6 pages; last accessed Sep. 22, 2015.

(Continued)

*Primary Examiner* — George D Kirschbaum  
*Assistant Examiner* — Jennifer Watkins  
(74) *Attorney, Agent, or Firm* — Brian J. Teague

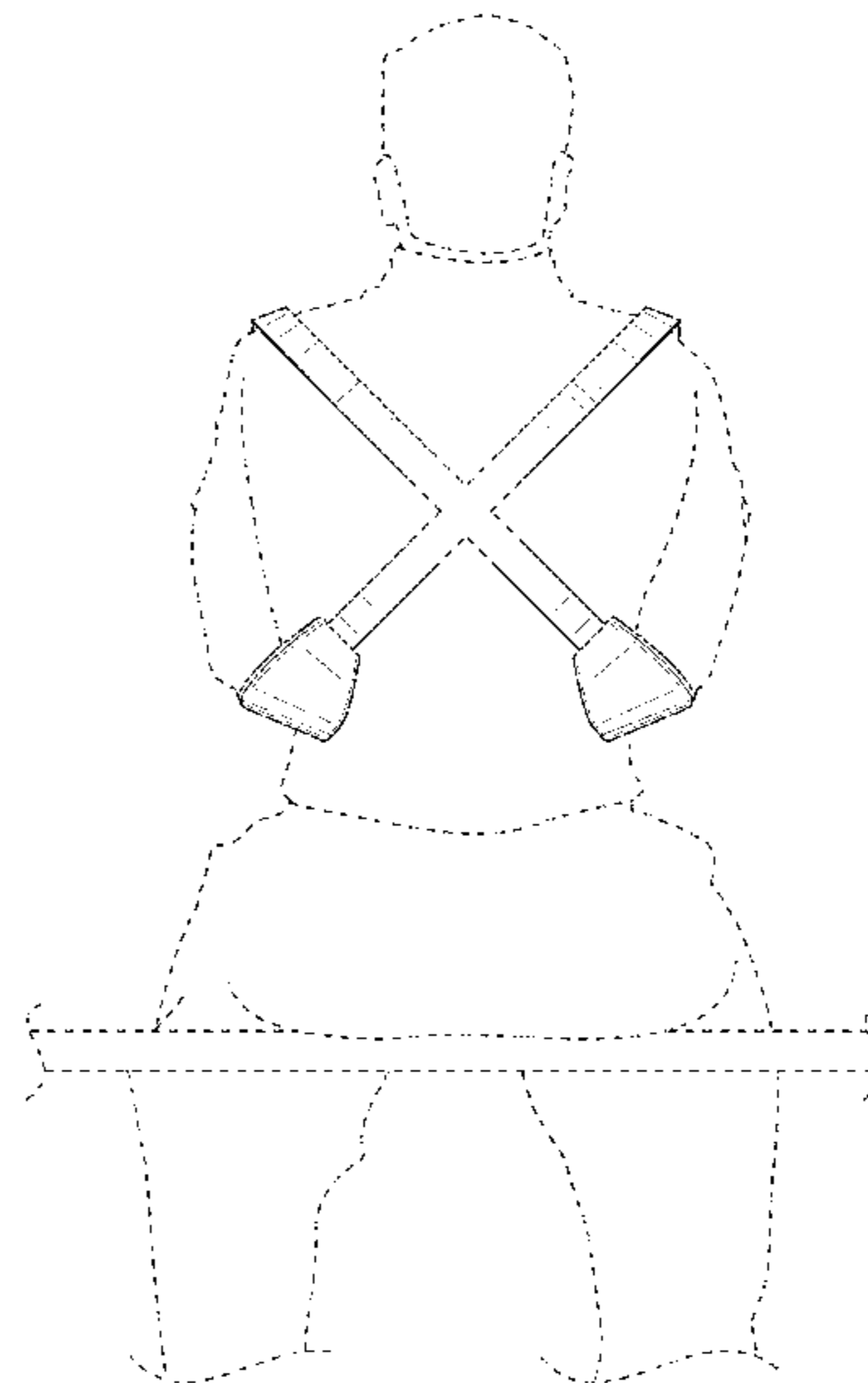
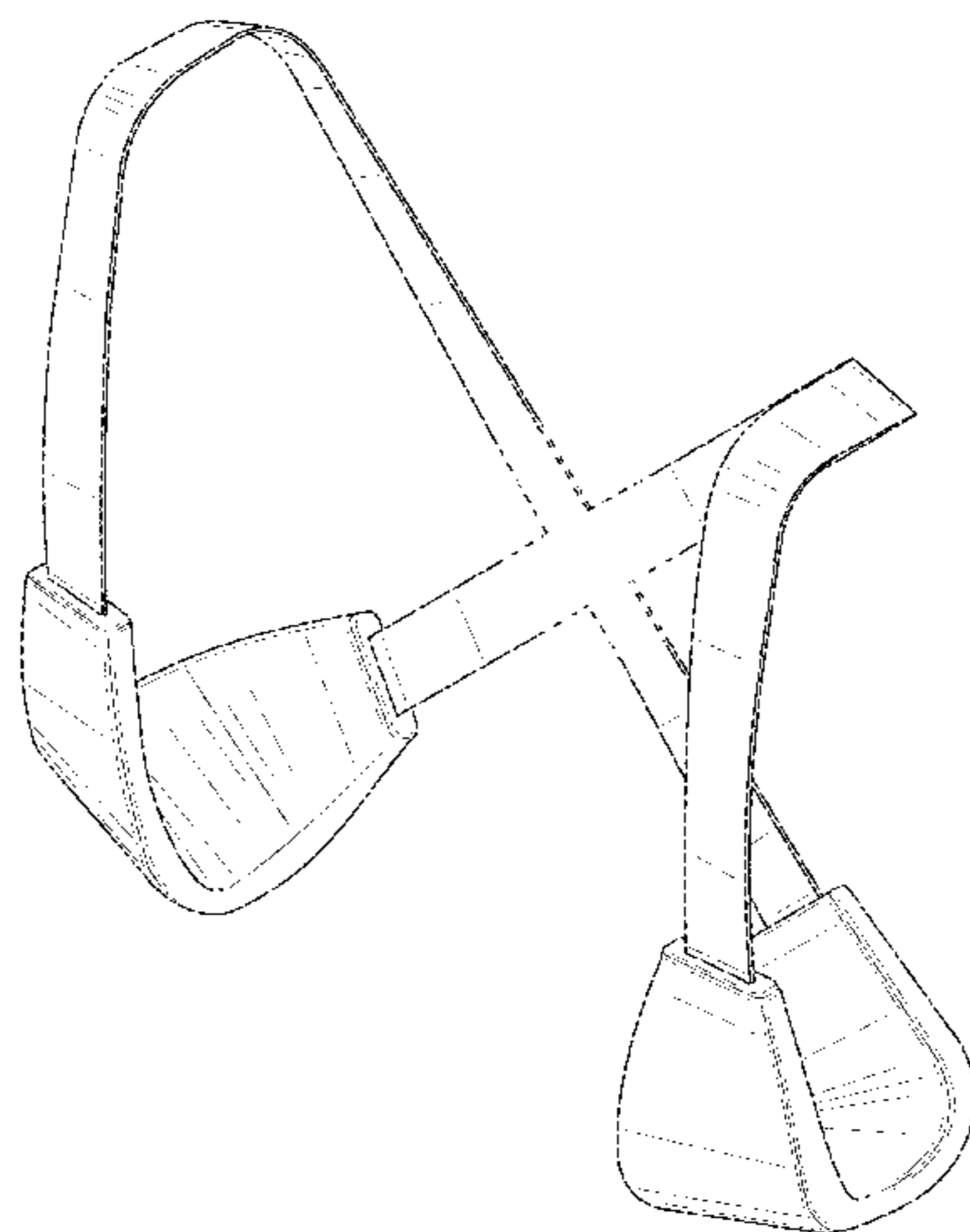
(57) **CLAIM**

I claim the ornamental design for an arm support device, as shown and described.

**DESCRIPTION**

FIG. 1 is a perspective view of an arm support device, from the front and top.  
FIG. 2 is a perspective view thereof, from the rear and bottom.  
FIG. 3 is a front view thereof.  
FIG. 4 is a rear view thereof.  
FIG. 5 is a left side view thereof.  
FIG. 6 is a right side view thereof.  
FIG. 7 is a top view thereof.  
FIG. 8 is a bottom view thereof.  
FIG. 9 is a front view of a user wearing the device; and,  
FIG. 10 is a rear view of a user wearing the device.  
The broken line showing of an arm support device is for the purpose of illustrating portions of the device that form no part of the claim. The broken lines illustrating the human form in FIGS. 9 and 10 are for the purpose of illustrating environment that forms no part of the claim.

**1 Claim, 9 Drawing Sheets**



(56)

**References Cited**

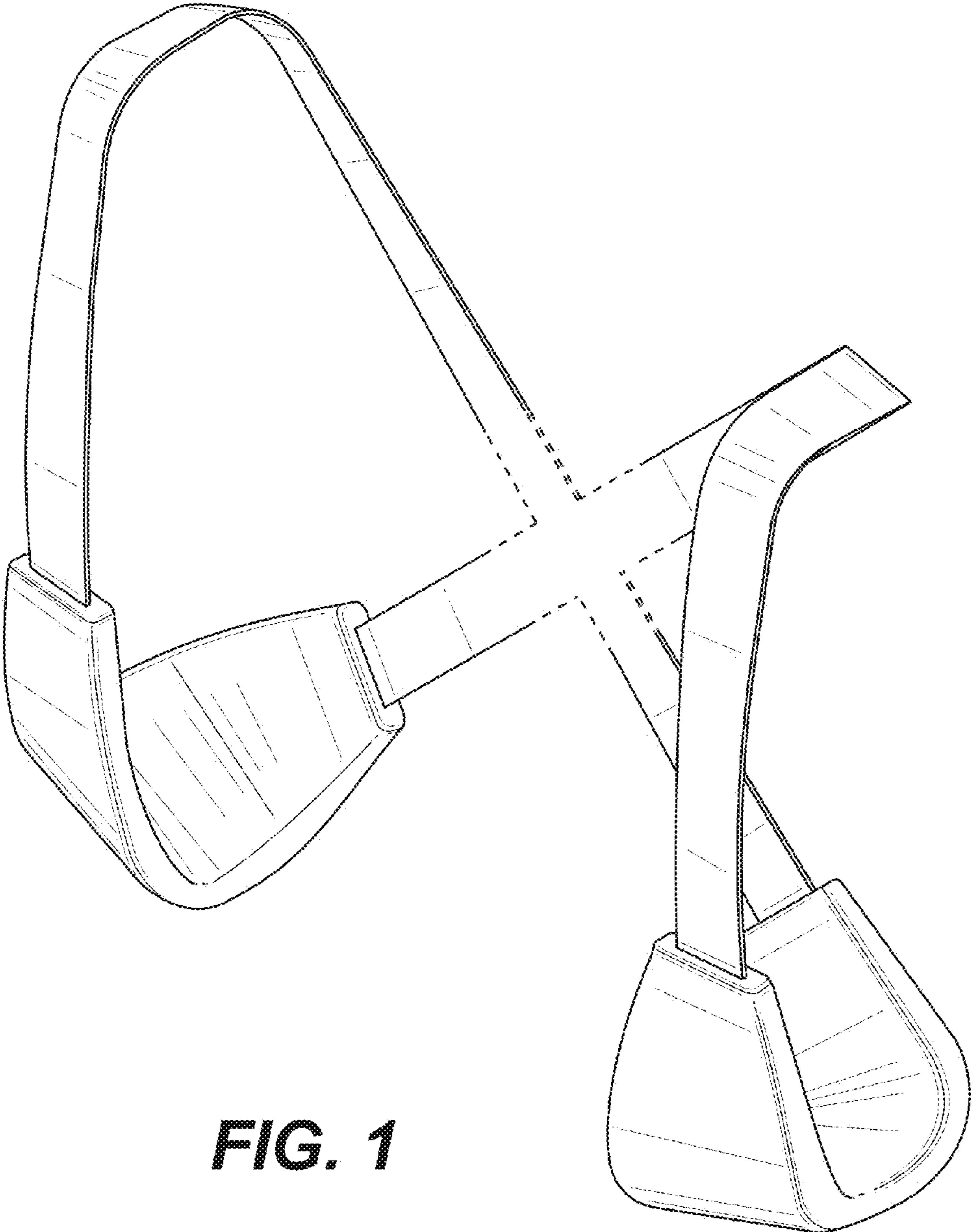
OTHER PUBLICATIONS

Nielsen Products 3500 Heavy Duty ShoulderDolly Pro Lift; available at [http://www.amazon.com/Nielsen-Products-3500-Heavy-ShoulderDolly/dp/B001R0ORWE/ref=sr\\_1\\_7?ie=UTF8](http://www.amazon.com/Nielsen-Products-3500-Heavy-ShoulderDolly/dp/B001R0ORWE/ref=sr_1_7?ie=UTF8)

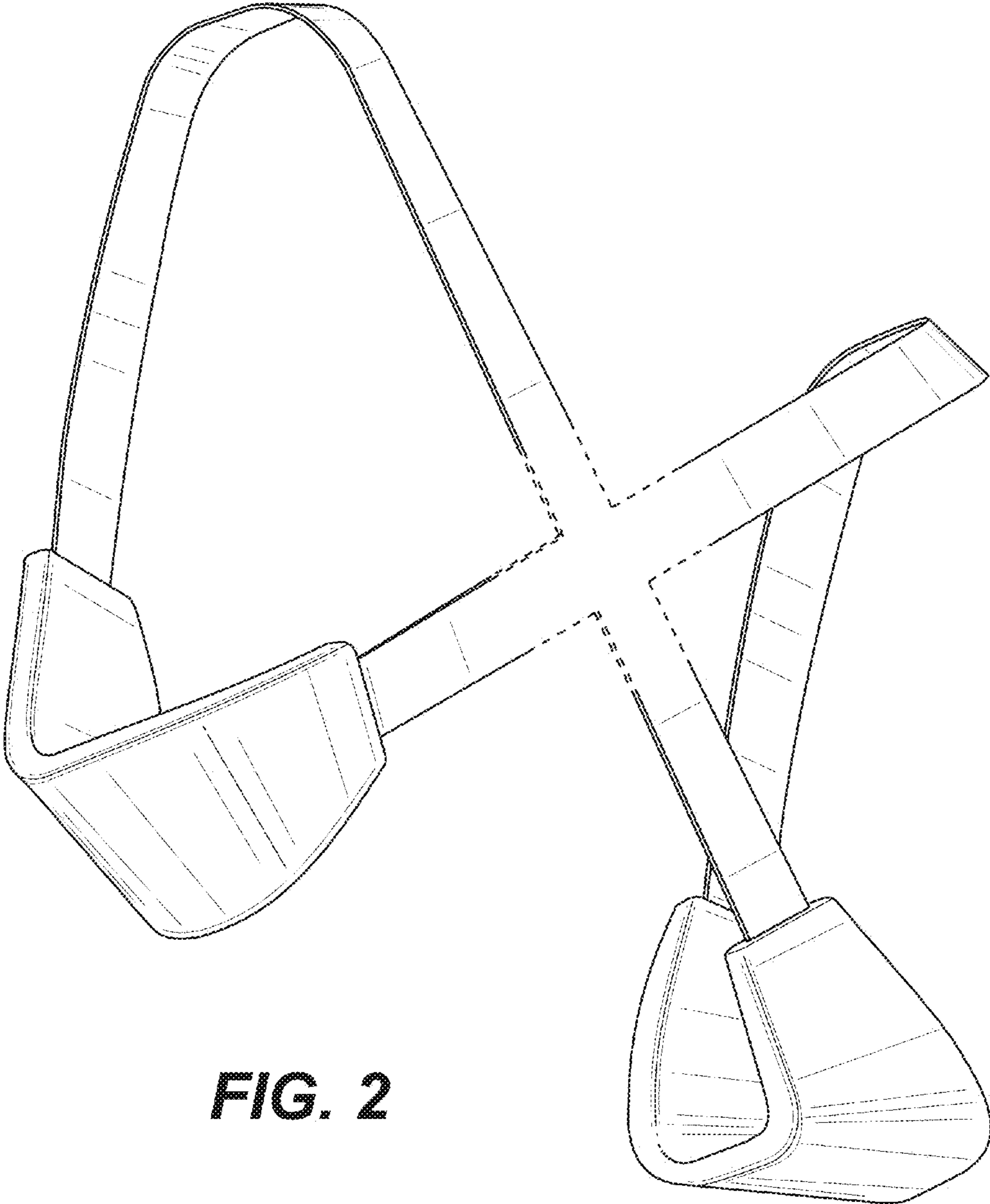
&qid=1442953176&sr=8-7&keywords=shoulder+dolly; 6 pages; last accessed Sep. 22, 2015.

Napwrap: your personal armrest, 10 pages, available at <https://www.kickstarter.com/projects/1997355283/napwraptm-your-personal-armrest>, last accessed Nov. 18, 2014.

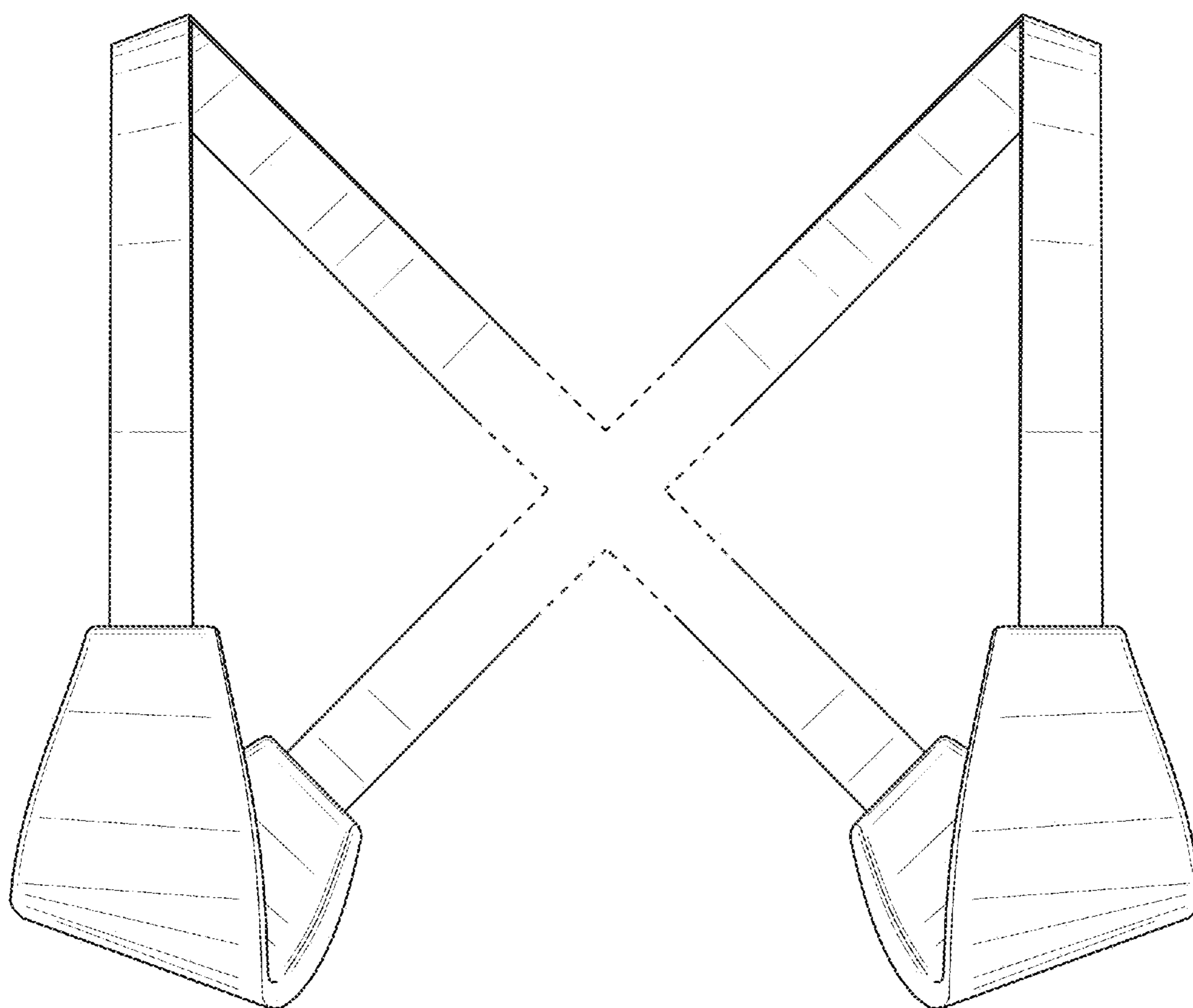
\* cited by examiner



**FIG. 1**

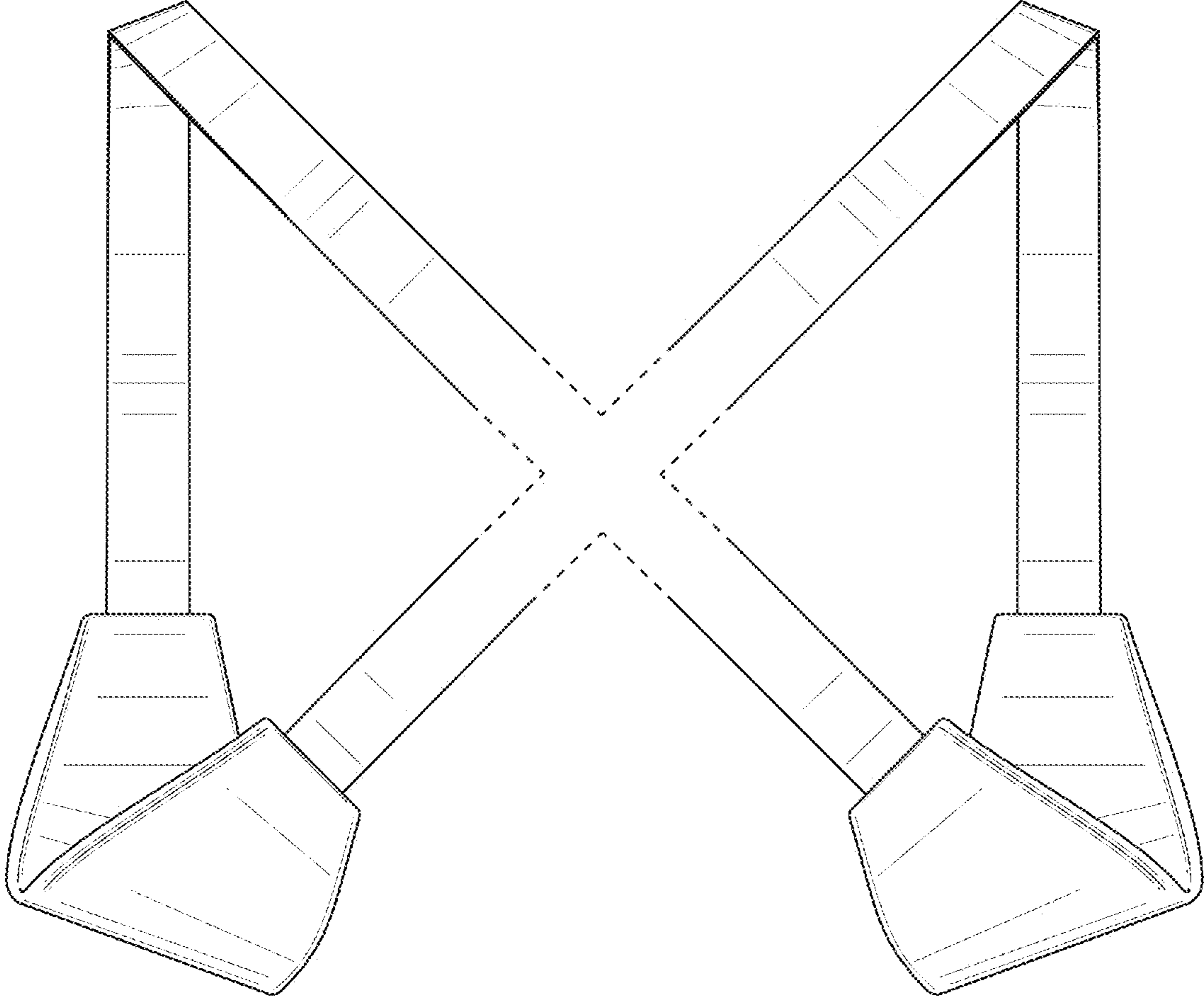


**FIG. 2**

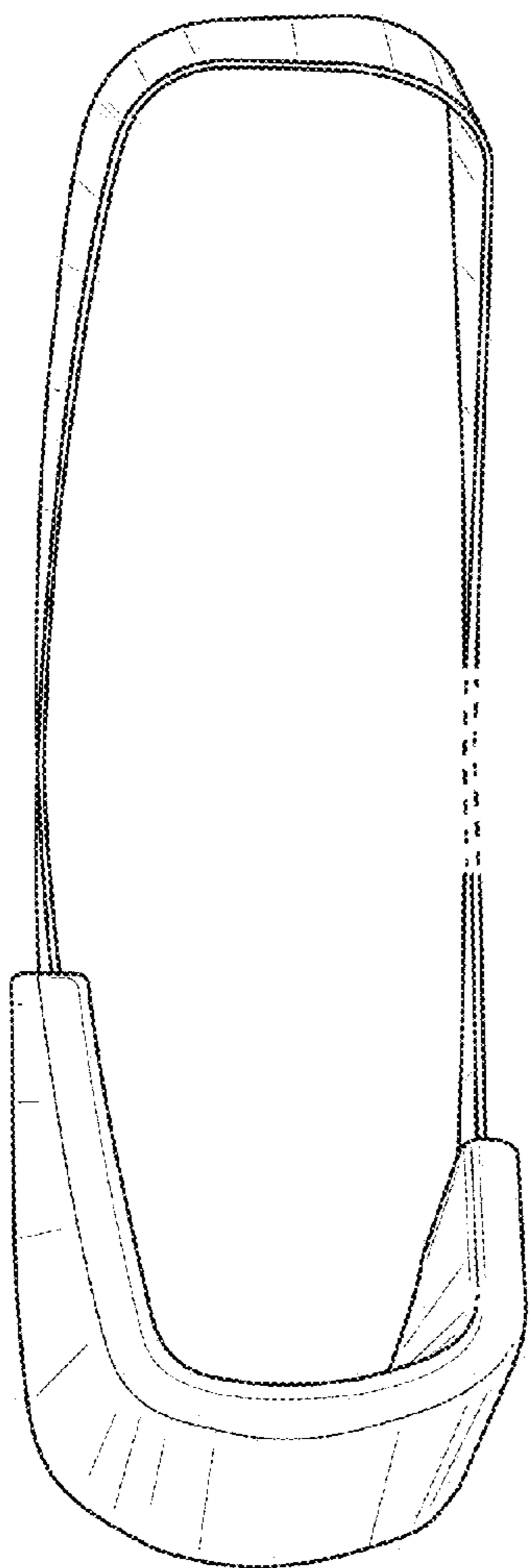


**FIG. 3**

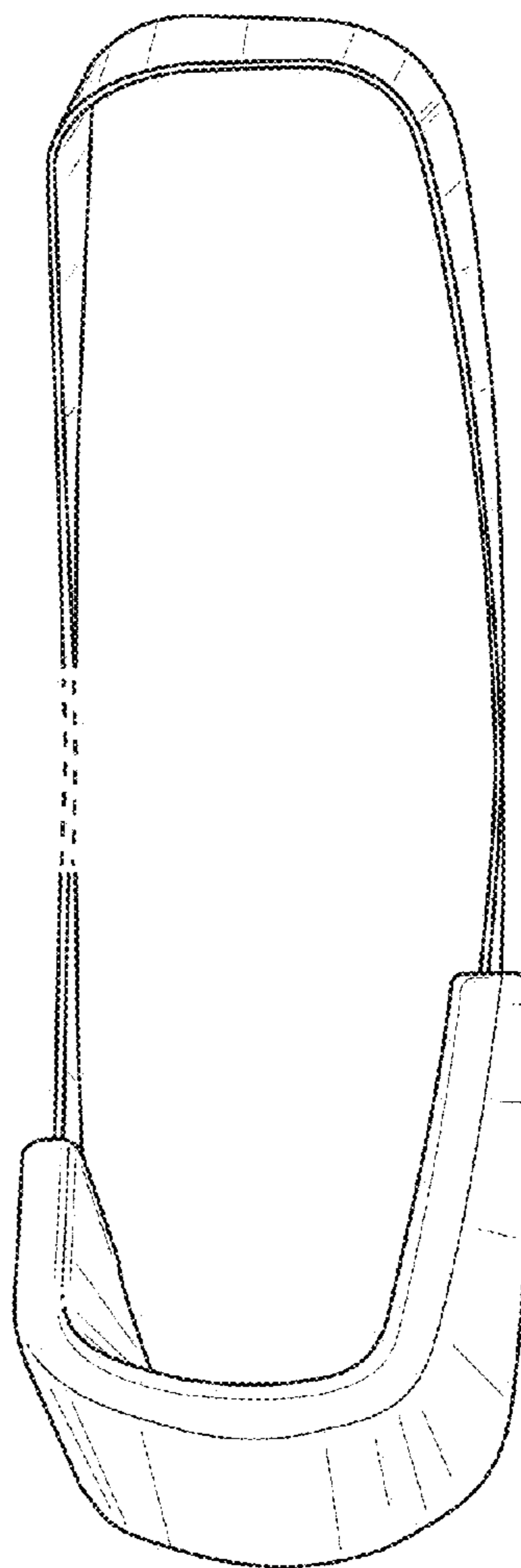




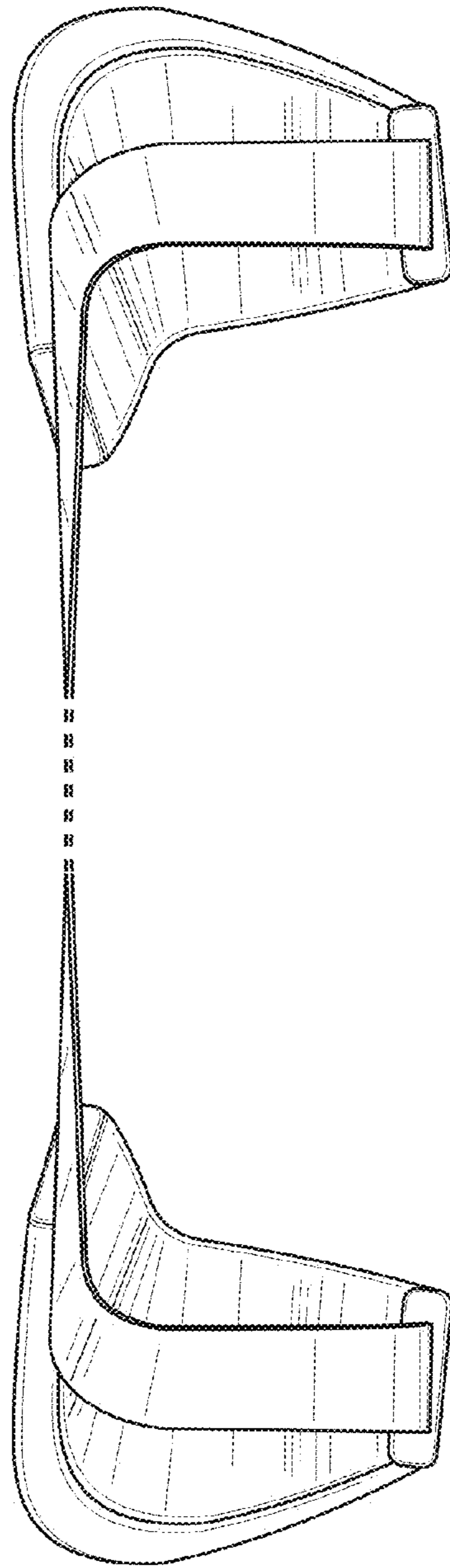
**FIG. 4**



**FIG. 5**

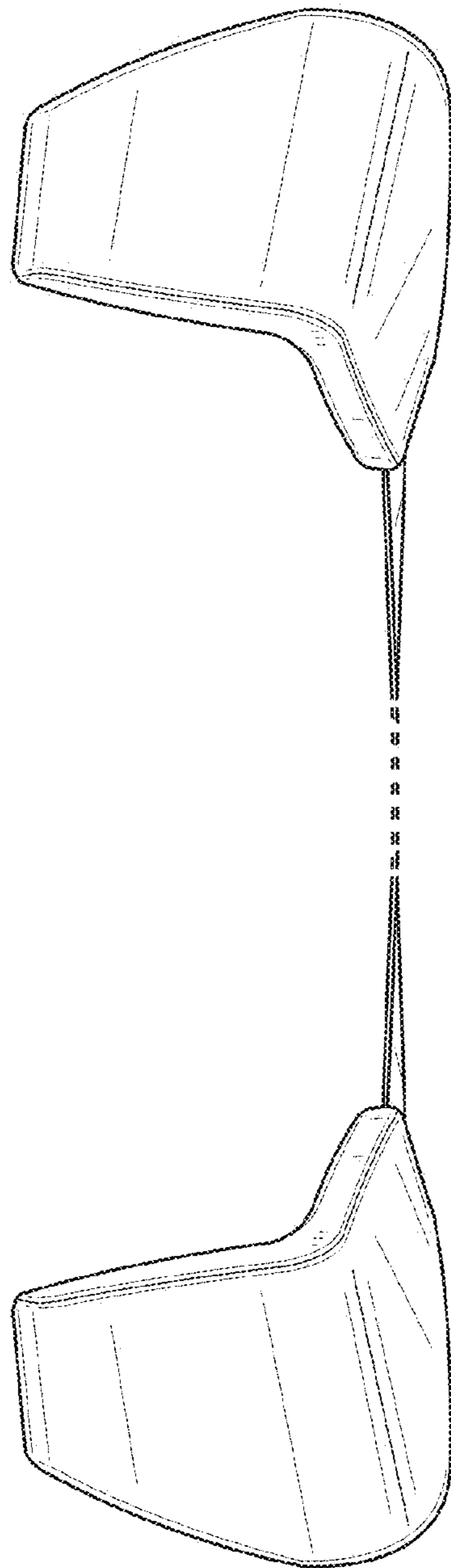


**FIG. 6**

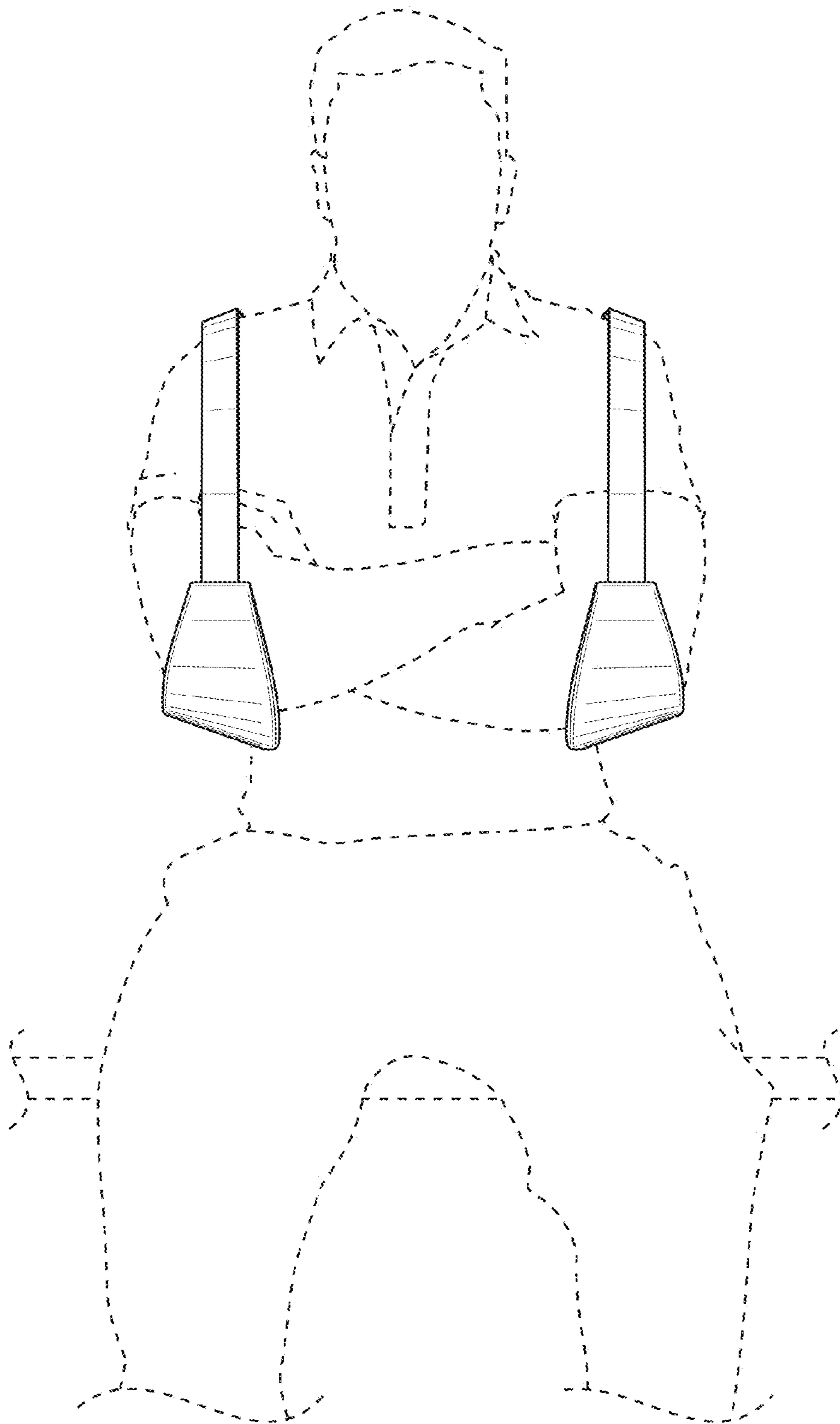


**FIG. 7**

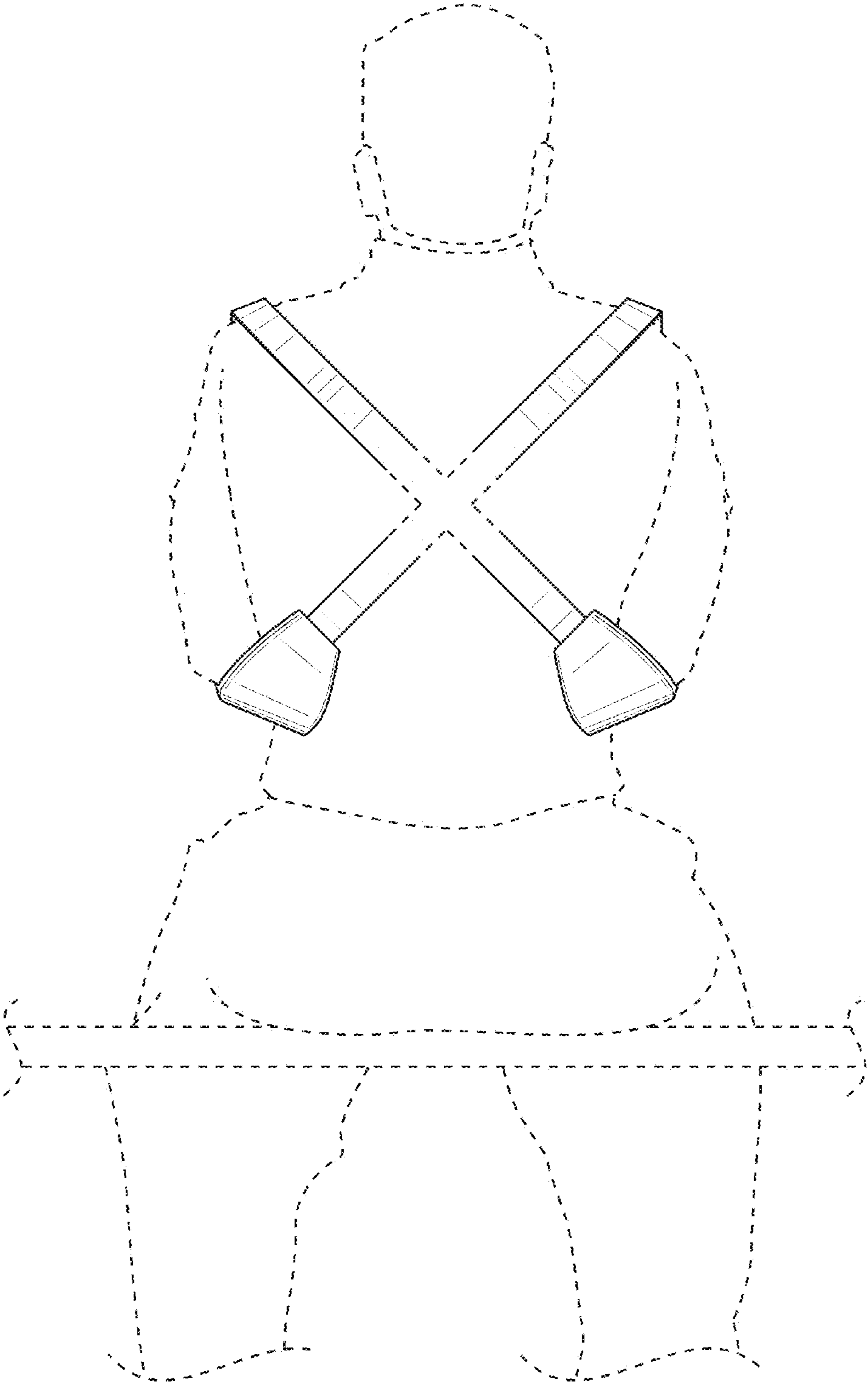




**FIG. 8**



**FIG. 9**



**FIG. 10**