



US00D755980S

(12) **United States Design Patent**  
**Jakobsen et al.**

(10) **Patent No.:** **US D755,980 S**  
(45) **Date of Patent:** **\*\* May 10, 2016**

(54) **WOUND DRESSING**  
(71) Applicant: **Mölnlycke Health Care AB**, Göteborg (SE)  
(72) Inventors: **Carolin Jakobsen**, Göteborg (SE); **AnnBritt Gergely**, Mölndal (SE); **Ulf Johannison**, Landvetter (SE)  
(73) Assignee: **Mölnlycke Health Care AB**, Göteborg (SE)  
(\*\*) Term: **14 Years**  
(21) Appl. No.: **29/483,314**

6,135,953 A \* 10/2000 Carim ..... A61B 5/04085  
600/372  
D488,230 S \* 4/2004 Ignatz ..... D24/189  
D575,874 S \* 8/2008 Ormsby ..... D24/189  
D582,560 S \* 12/2008 Sachi ..... D24/189  
D583,955 S \* 12/2008 Sachi ..... D24/189  
D607,112 S \* 12/2009 Rogers ..... D24/189  
D607,113 S \* 12/2009 Rogers ..... D24/189  
D622,404 S \* 8/2010 Williams ..... D24/189  
D631,166 S \* 1/2011 Leffew ..... D24/189  
D672,464 S \* 12/2012 Holm ..... D24/189  
D679,402 S \* 4/2013 Conrad-Vlasak ..... D24/189  
D679,403 S \* 4/2013 Heinecke ..... D24/189  
D679,820 S \* 4/2013 Peron ..... D24/189  
D681,833 S \* 5/2013 Samlaska ..... D24/189  
D683,858 S \* 6/2013 Smith ..... D24/189

(Continued)

(22) Filed: **Feb. 27, 2014**  
(30) **Foreign Application Priority Data**  
Aug. 30, 2013 (EM) ..... 002299685-0001  
Aug. 30, 2013 (EM) ..... 002299685-0002  
(51) **LOC (10) Cl.** ..... **24-04**  
(52) **U.S. Cl.**  
USPC ..... **D24/189**  
(58) **Field of Classification Search**  
USPC ..... D24/189-192  
CPC . A61N 1/0452; A61N 1/0456; A61N 1/0492;  
A61N 1/0484; A61N 1/048  
See application file for complete search history.

**FOREIGN PATENT DOCUMENTS**

CN ZL201430036788.2 9/2014  
DE 102010053213 A1 6/2012

*Primary Examiner* — T. Chase Nelson  
*Assistant Examiner* — Michelle E Wilson

(74) *Attorney, Agent, or Firm* — Choate, Hall & Stewart LLP; Charles E. Lyon

(57) **CLAIM**

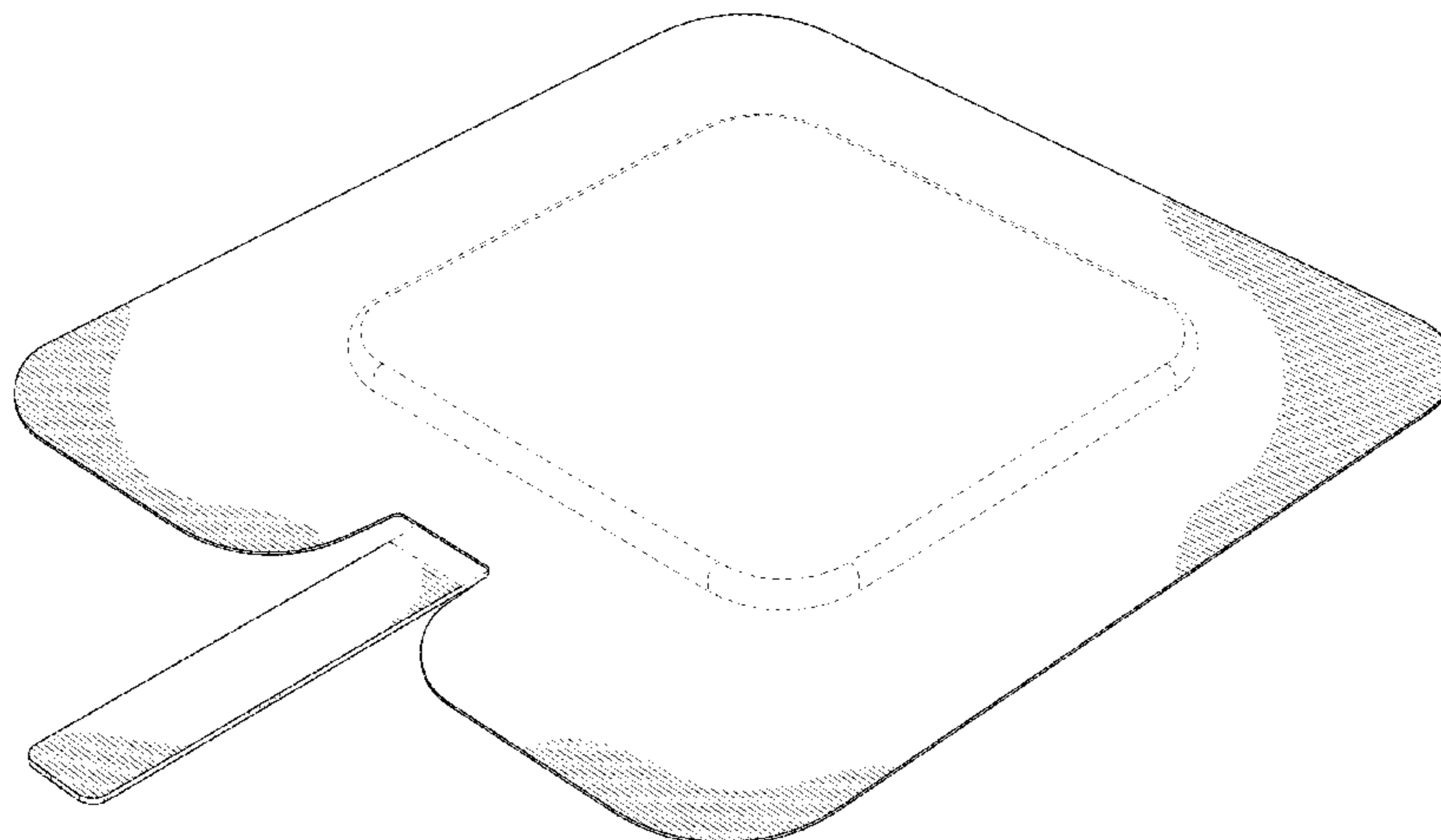
The ornamental design for a wound dressing, as shown and described.

**DESCRIPTION**

FIG. 1 is a perspective view of a wound dressing showing our new design;  
FIG. 2 is a top view thereof;  
FIG. 3 is a left side view thereof; and,  
FIG. 4 is a right side view thereof.  
The broken line showing of portions of the wound dressing illustrates the environment of the claimed design and forms no part thereof.  
Any surfaces not visible in the figures form no part of the claimed design.

**1 Claim, 3 Drawing Sheets**

(56) **References Cited**  
**U.S. PATENT DOCUMENTS**  
4,524,087 A \* 6/1985 Engel ..... A61B 5/04087  
252/519.33  
4,674,512 A \* 6/1987 Rolf ..... H01B 1/20  
600/391  
4,736,752 A \* 4/1988 Munck ..... A61N 1/0452  
607/149  
4,934,383 A 6/1990 Glumac  
5,352,315 A \* 10/1994 Carrier ..... A61B 5/04087  
156/267  
5,974,344 A 10/1999 Shoemaker, II



(56)

**References Cited**

U.S. PATENT DOCUMENTS

D690,425 S *	9/2013	Heinecke .....	D24/189	D712,547 S *	9/2014	Igwebuike .....	D24/189
D691,730 S *	10/2013	Smith .....	D24/189	D712,548 S *	9/2014	Igwebuike .....	D24/189
D693,010 S *	11/2013	Mosa .....	D24/189	D712,549 S *	9/2014	Igwebuike .....	D24/189
D712,046 S *	8/2014	Igwebuike .....	D24/189	D712,550 S *	9/2014	Igwebuike .....	D24/189
D712,047 S *	8/2014	Igwebuike .....	D24/189	D712,551 S *	9/2014	Igwebuike .....	D24/189
D712,545 S *	9/2014	Igwebuike .....	D24/189	D712,552 S *	9/2014	Igwebuike .....	D24/189
D712,546 S *	9/2014	Igwebuike .....	D24/189	D729,391 S *	5/2015	Igwebuike .....	D24/189
				D729,392 S *	5/2015	Igwebuike .....	D24/189
				2009/0209840 A1	8/2009	Axelgaard	

\* cited by examiner

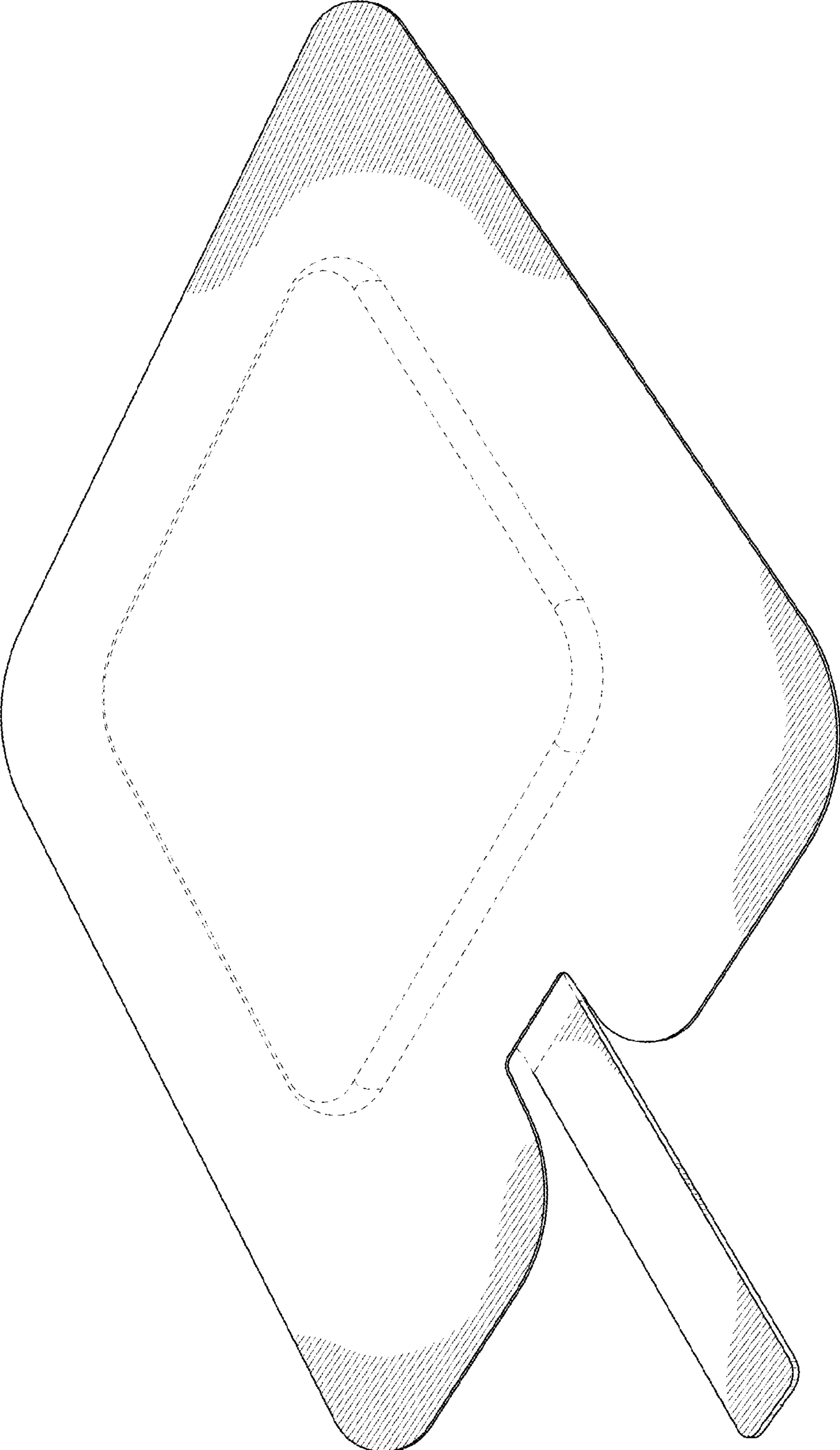


FIG. 1

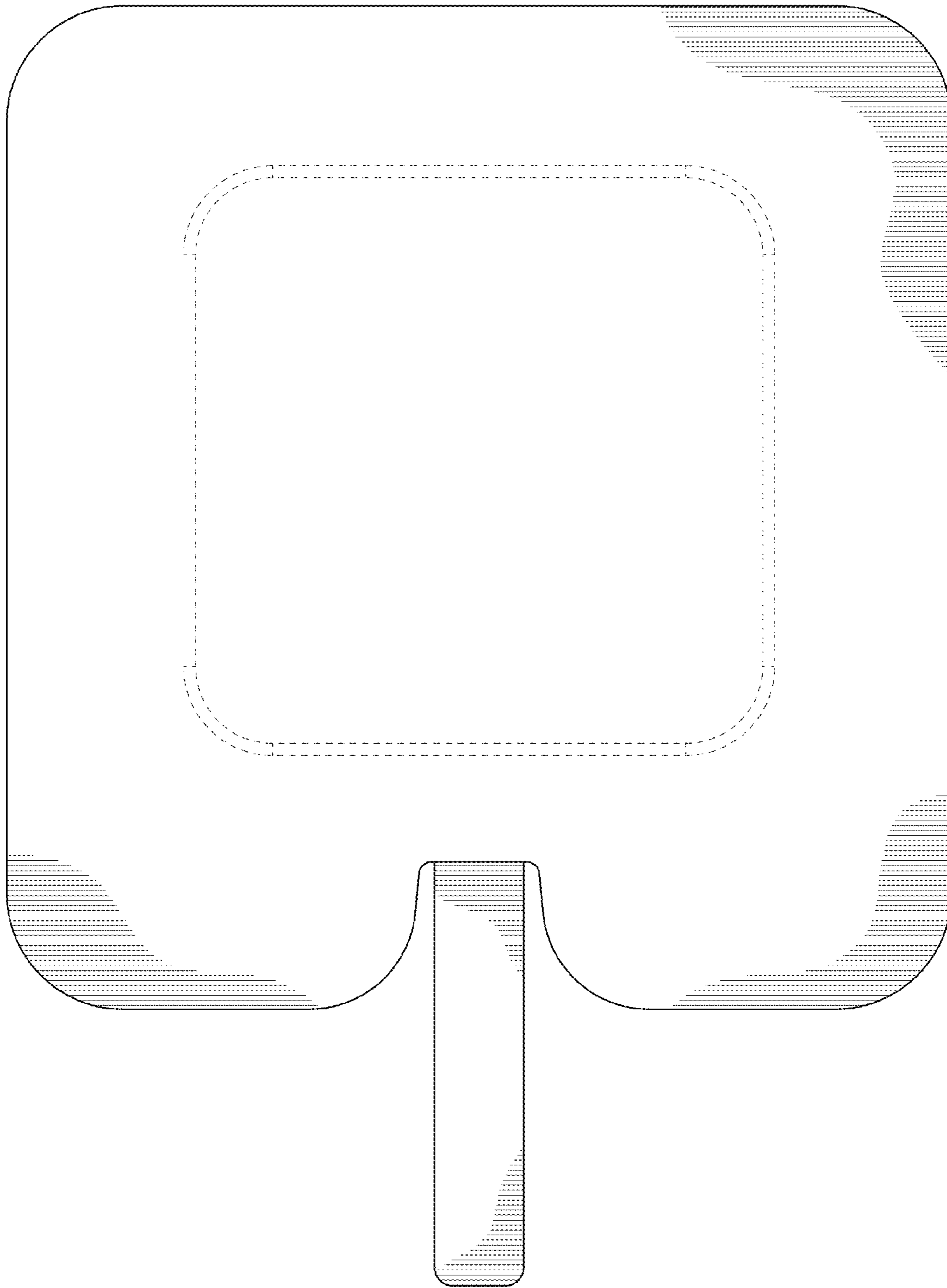


FIG. 2

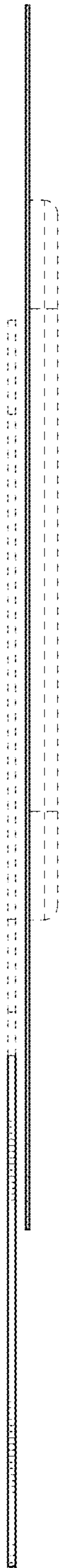


FIG. 3

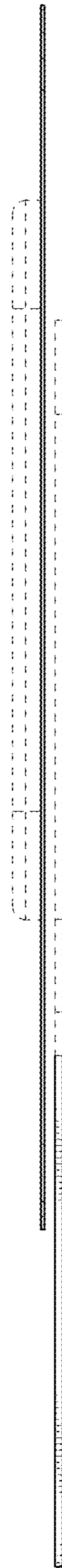


FIG. 4