



US00D755979S

(12) **United States Design Patent**
Matsuda

(10) **Patent No.:** **US D755,979 S**
(45) **Date of Patent:** **** May 10, 2016**

(54) **REHABILITATION EQUIPMENT**
(71) Applicant: **Yoshihiro Matsuda**, Seto (JP)
(72) Inventor: **Yoshihiro Matsuda**, Seto (JP)
(73) Assignee: **Toyota Jidosha Kabushiki Kaisha** (JP)

(**) Term: **14 Years**

(21) Appl. No.: **29/506,900**

(22) Filed: **Oct. 21, 2014**

(30) **Foreign Application Priority Data**

May 28, 2014 (JP) 2014-011367

(51) **LOC (10) Cl.** **24-04**

(52) **U.S. Cl.**
USPC **D24/188**

(58) **Field of Classification Search**
USPC D24/183, 188, 190
CPC A61H 33/0087; A61H 33/0095; A61H
2033/0016; A63B 22/02
See application file for complete search history.

(56) **References Cited**

U.S. PATENT DOCUMENTS

D185,658 S * 7/1959 Brandimarte et al. D21/690
3,675,646 A * 7/1972 Corcoran A61G 15/007
602/32
D264,242 S * 5/1982 LaRue D24/184
4,602,619 A * 7/1986 Wolf A61H 1/0222
606/241
4,637,604 A * 1/1987 Burt DuPont A63B 21/00047
482/142
4,662,361 A * 5/1987 Patterson A61G 15/007
128/845
4,776,581 A * 10/1988 Shepherdson A63B 5/11
4/493
4,944,506 A * 7/1990 Keller A61H 33/0087
4/507
5,054,137 A * 10/1991 Christensen A61G 7/1038
5/81.1 RP
D328,350 S * 7/1992 Lossing D24/188

D331,465 S * 12/1992 Lossing D24/188
D362,911 S * 10/1995 Helms D24/188
D589,623 S * 3/2009 Olliges D24/188
D611,154 S * 3/2010 Kopf D24/188
D611,155 S * 3/2010 Kopf D24/188
D681,215 S * 4/2013 Kessler D24/188
2004/0110610 A1 * 6/2004 Chen A63B 21/04
482/123

OTHER PUBLICATIONS

Hocoma, LokomatPro, <<http://www.hocoma.com/products/lokomat/lokomatpro/>>, believed to be available as early as Feb. 25, 2013.

Nihon Medix Corp., Assist Walker, <http://www.nihonmedix.co.jp/products/details/prd_000075.php>, believed to be available as early as May 20, 2014.

Inter Reha Corp., Assist Walker, <http://www.irc-web.co.jp/assist_walker/>, believed to be available as early as May 8, 2014.

* cited by examiner

Primary Examiner — T. Chase Nelson

Assistant Examiner — Michelle E Wilson

(74) *Attorney, Agent, or Firm* — Saidman DesignLaw Group, LLC

(57) **CLAIM**

The ornamental design for rehabilitation equipment, as shown and described.

DESCRIPTION

FIG. 1 is a front perspective view of rehabilitation equipment showing our new design;

FIG. 2 is a rear perspective view thereof;

FIG. 3 is a front view thereof;

FIG. 4 is a rear view thereof;

FIG. 5 is a top view thereof;

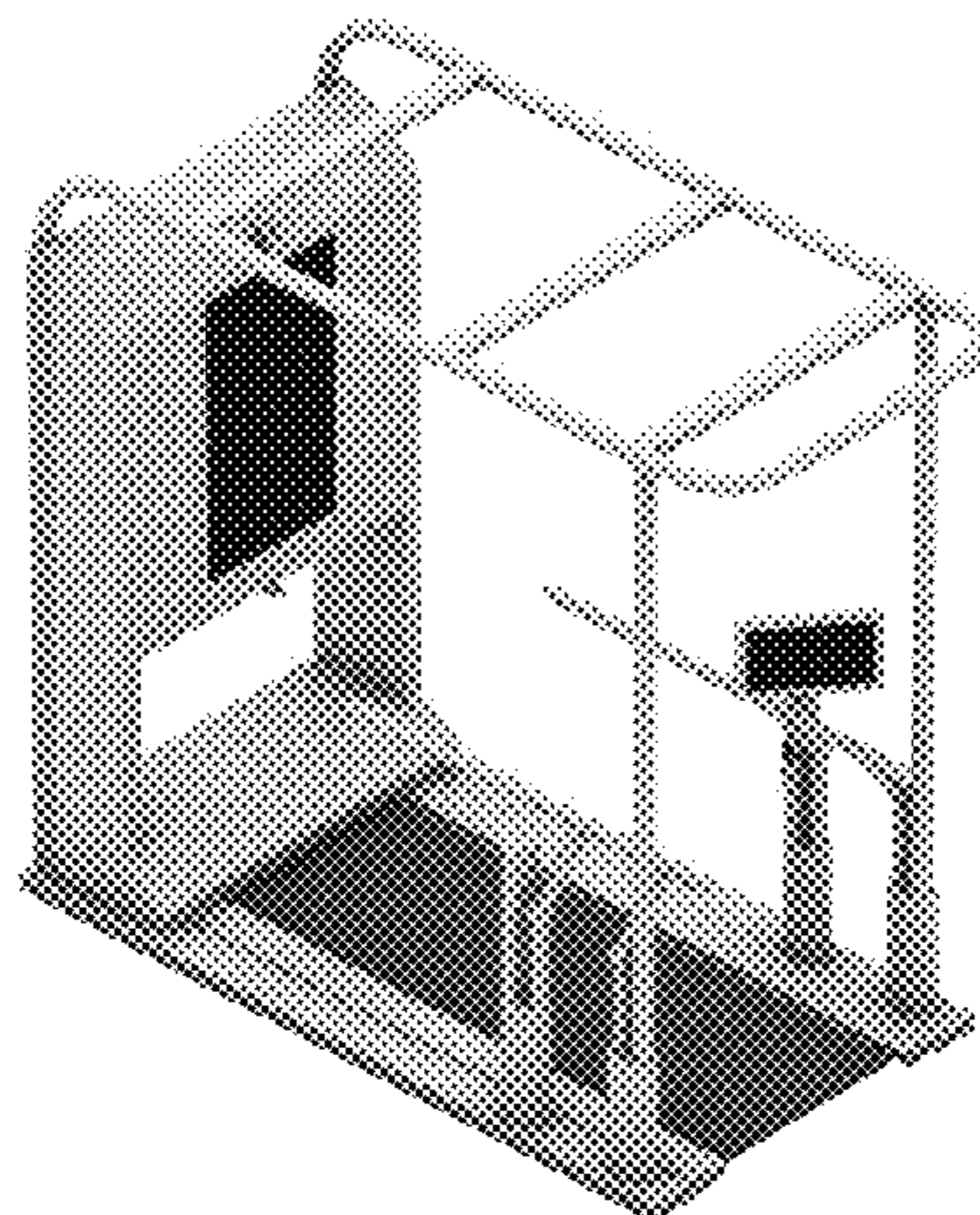
FIG. 6 is a bottom view thereof;

FIG. 7 is a left side view thereof; and,

FIG. 8 is a right side view thereof.

The drawings include shading to represent contour, not any particular color, and may show shadows and reflections which indicate contour.

1 Claim, 5 Drawing Sheets



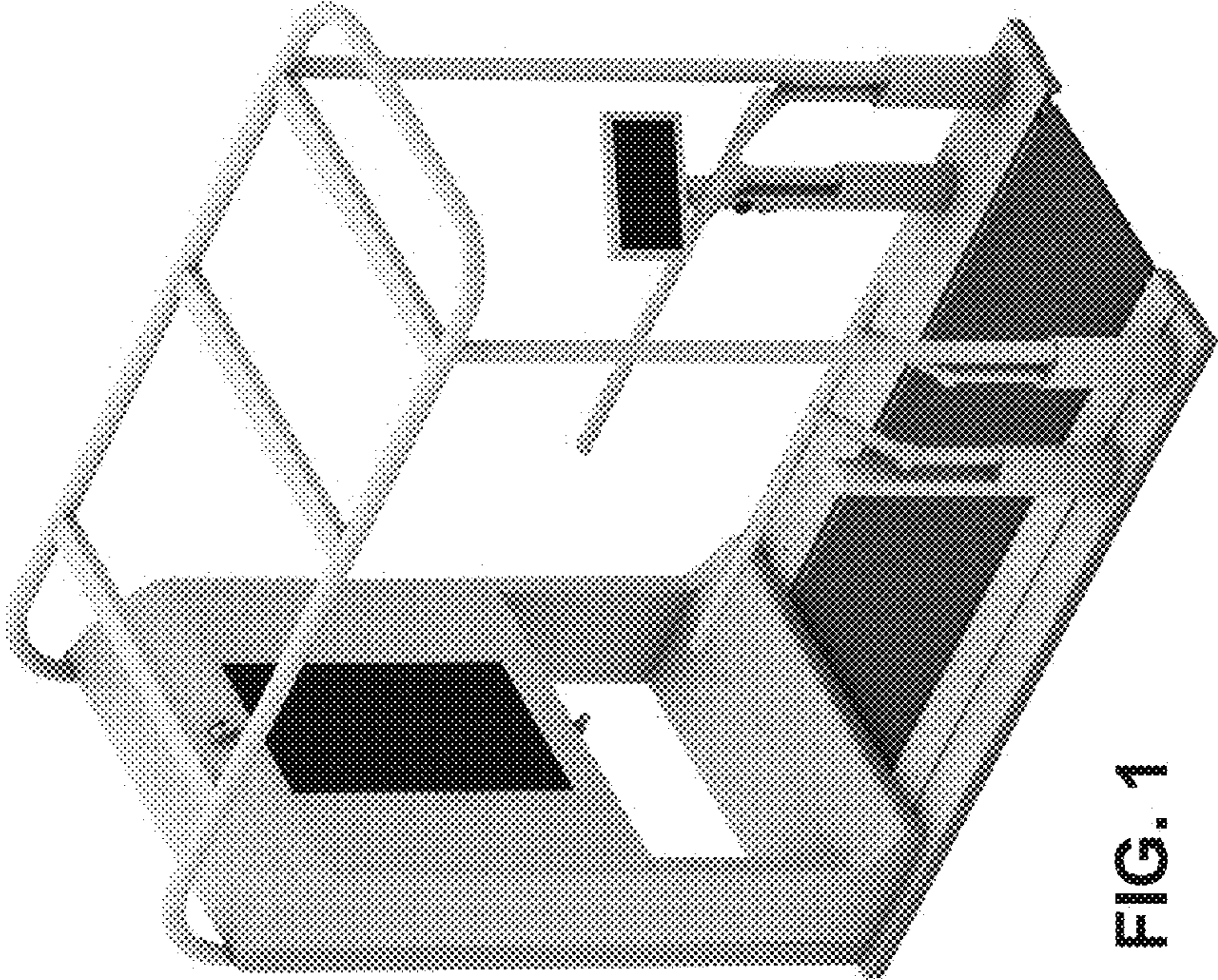


FIG. 1

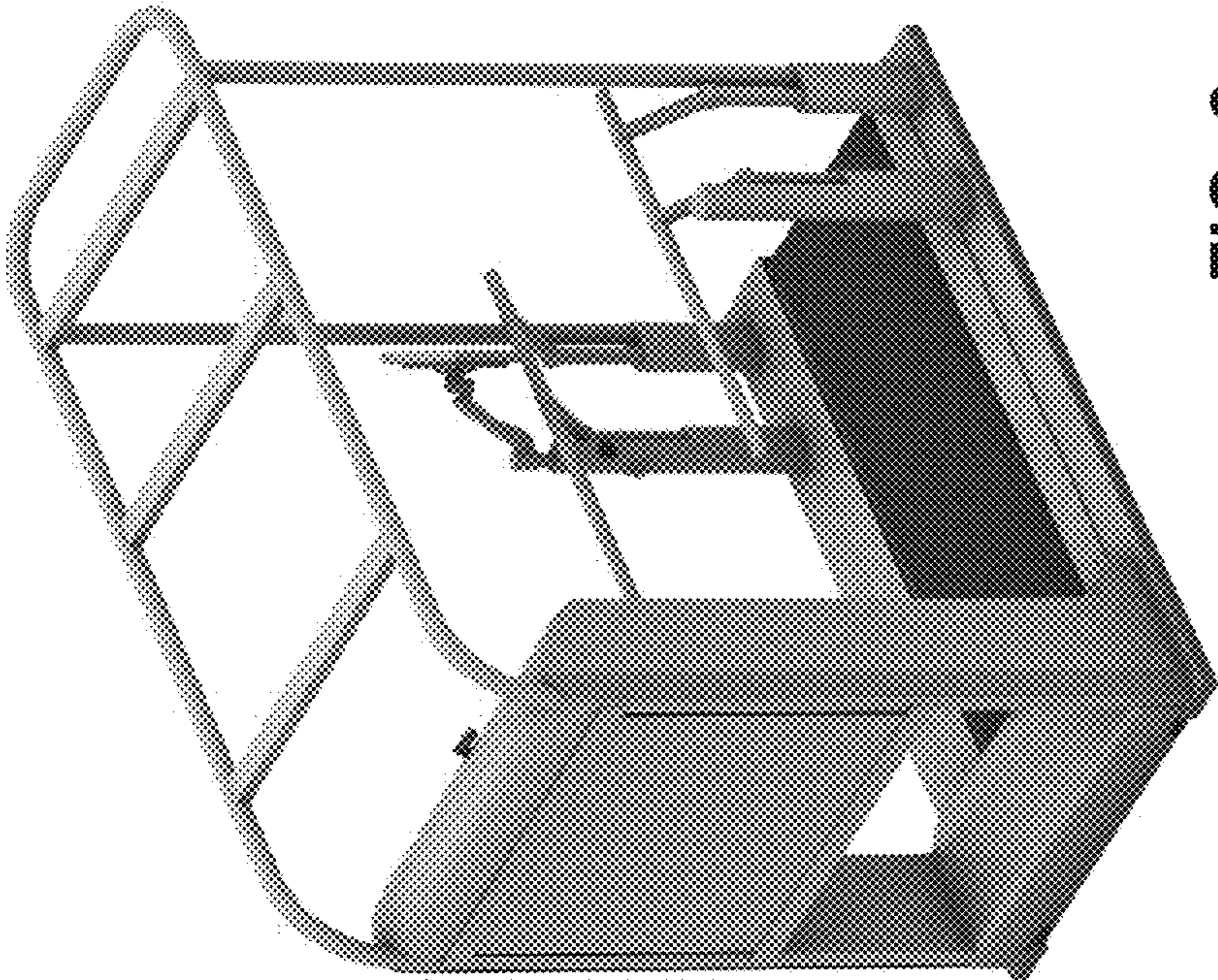


FIG. 2

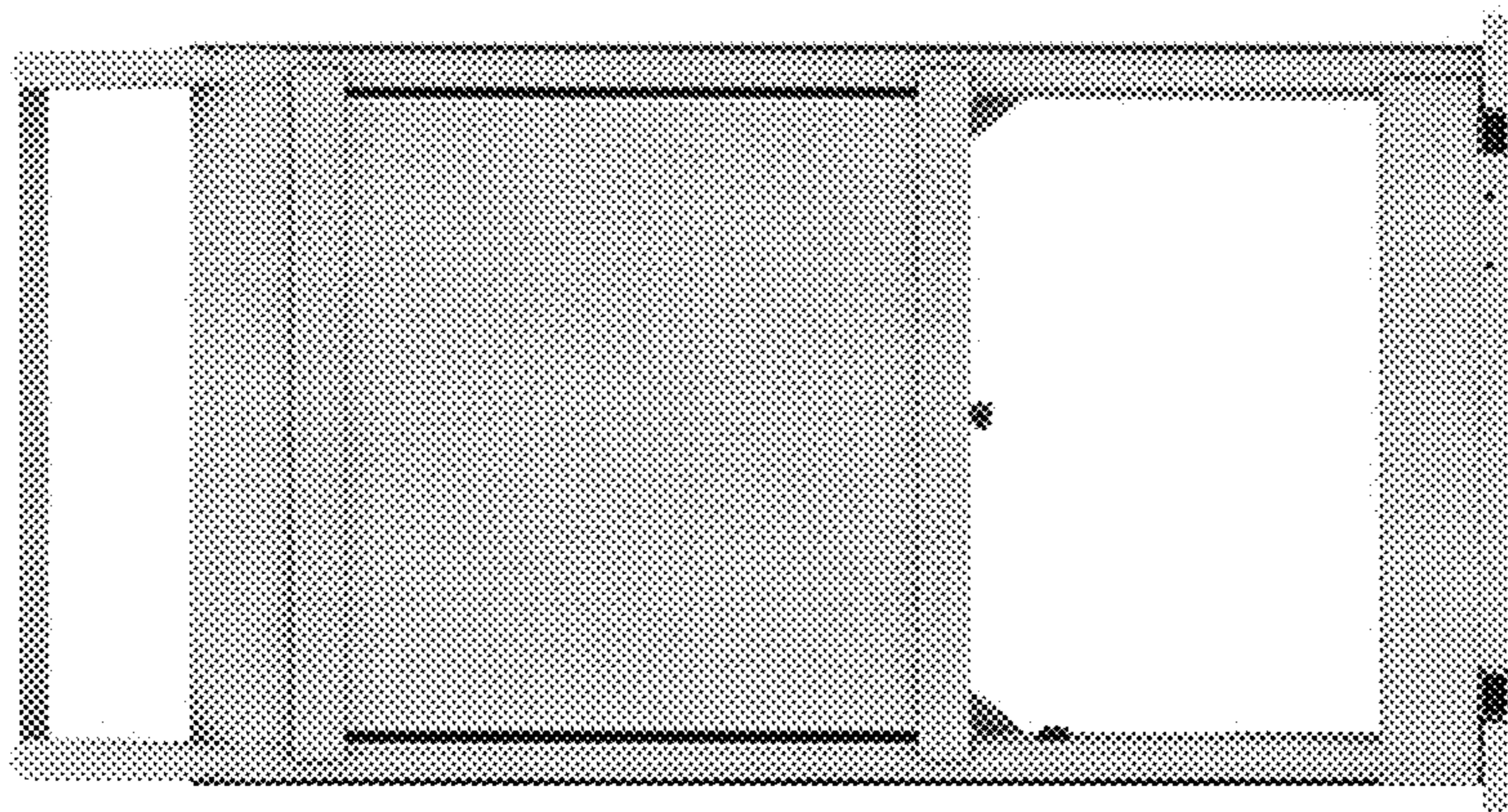


FIG. 4

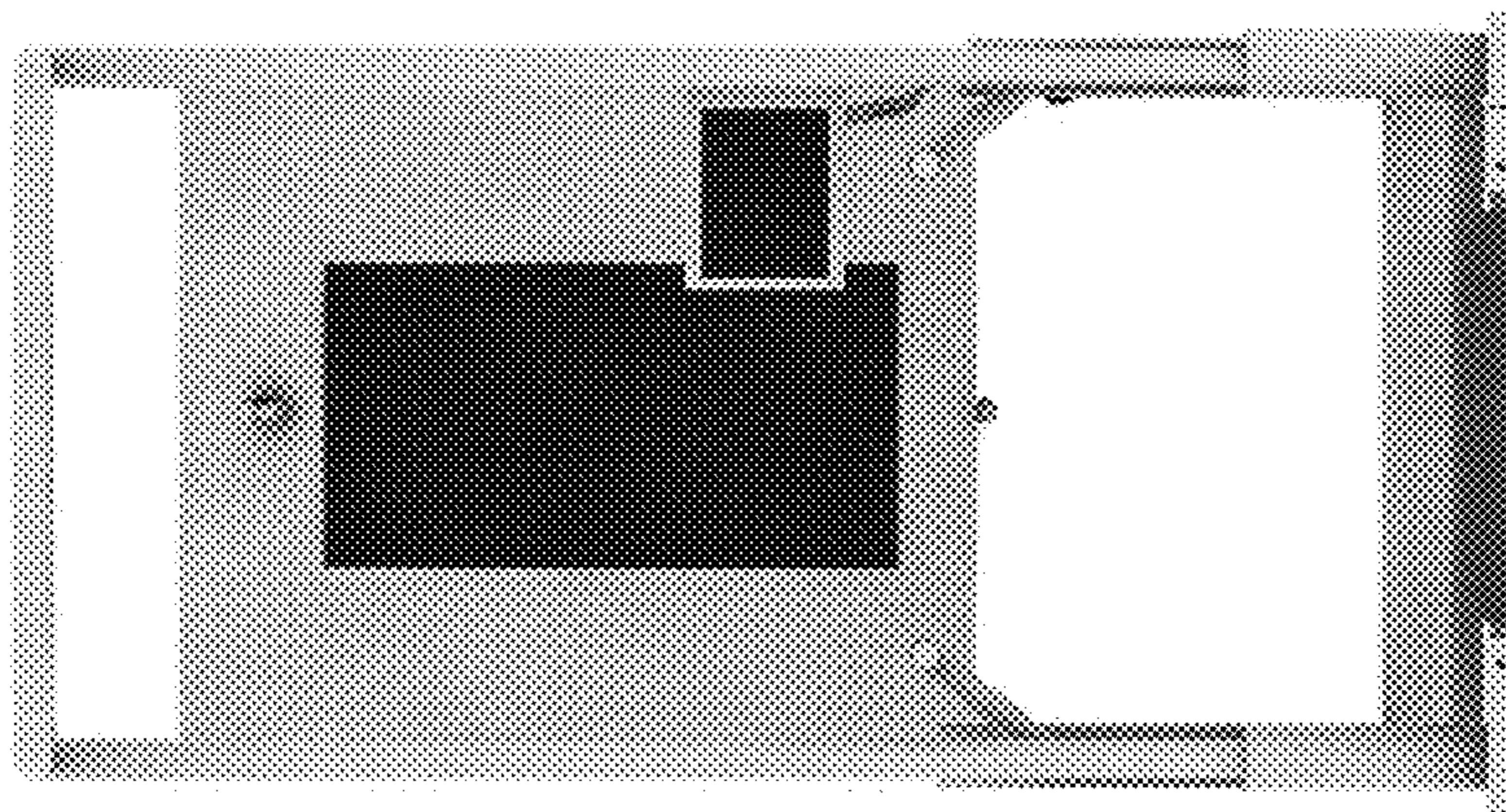


FIG. 3

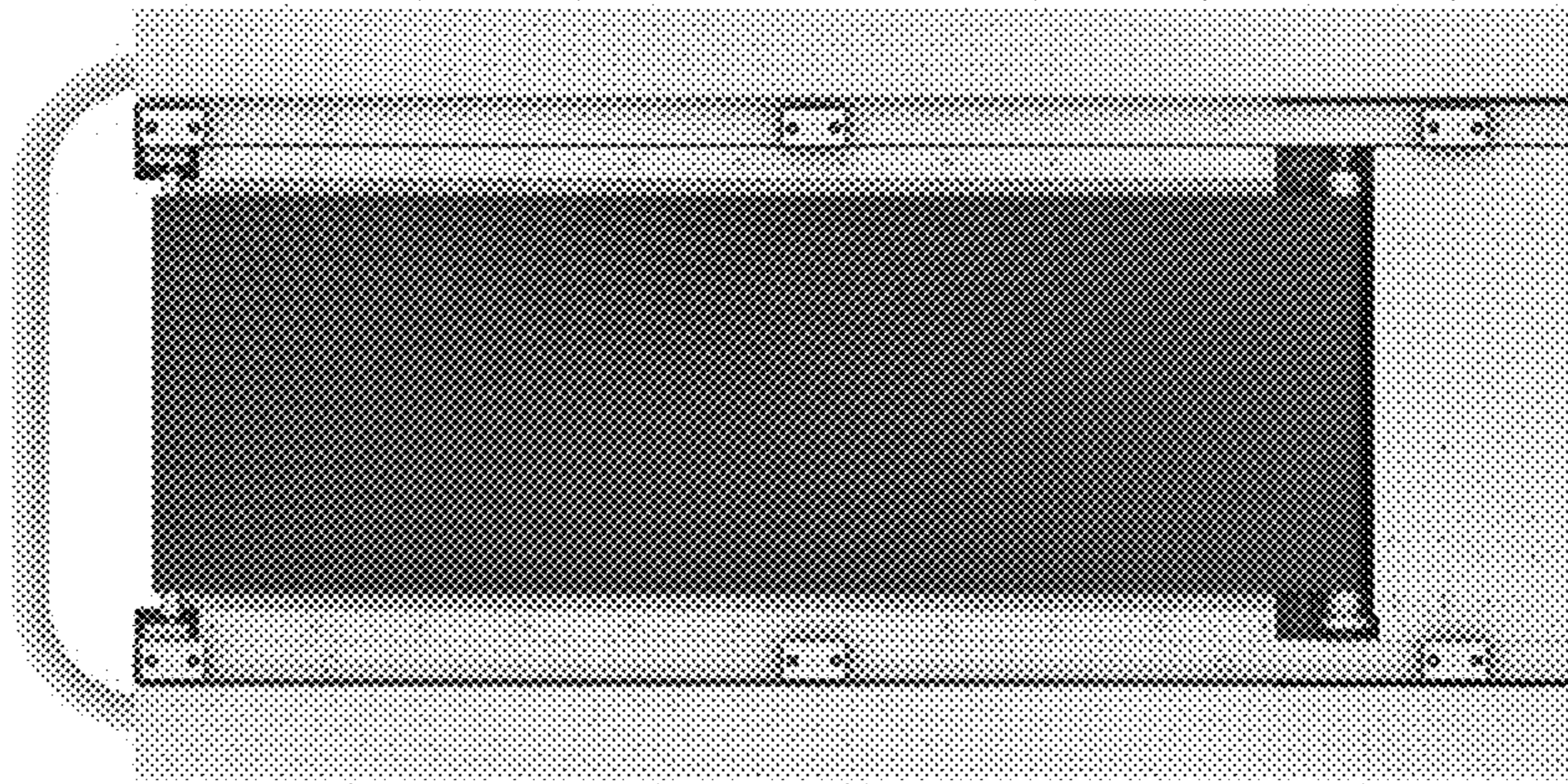


FIG. 6

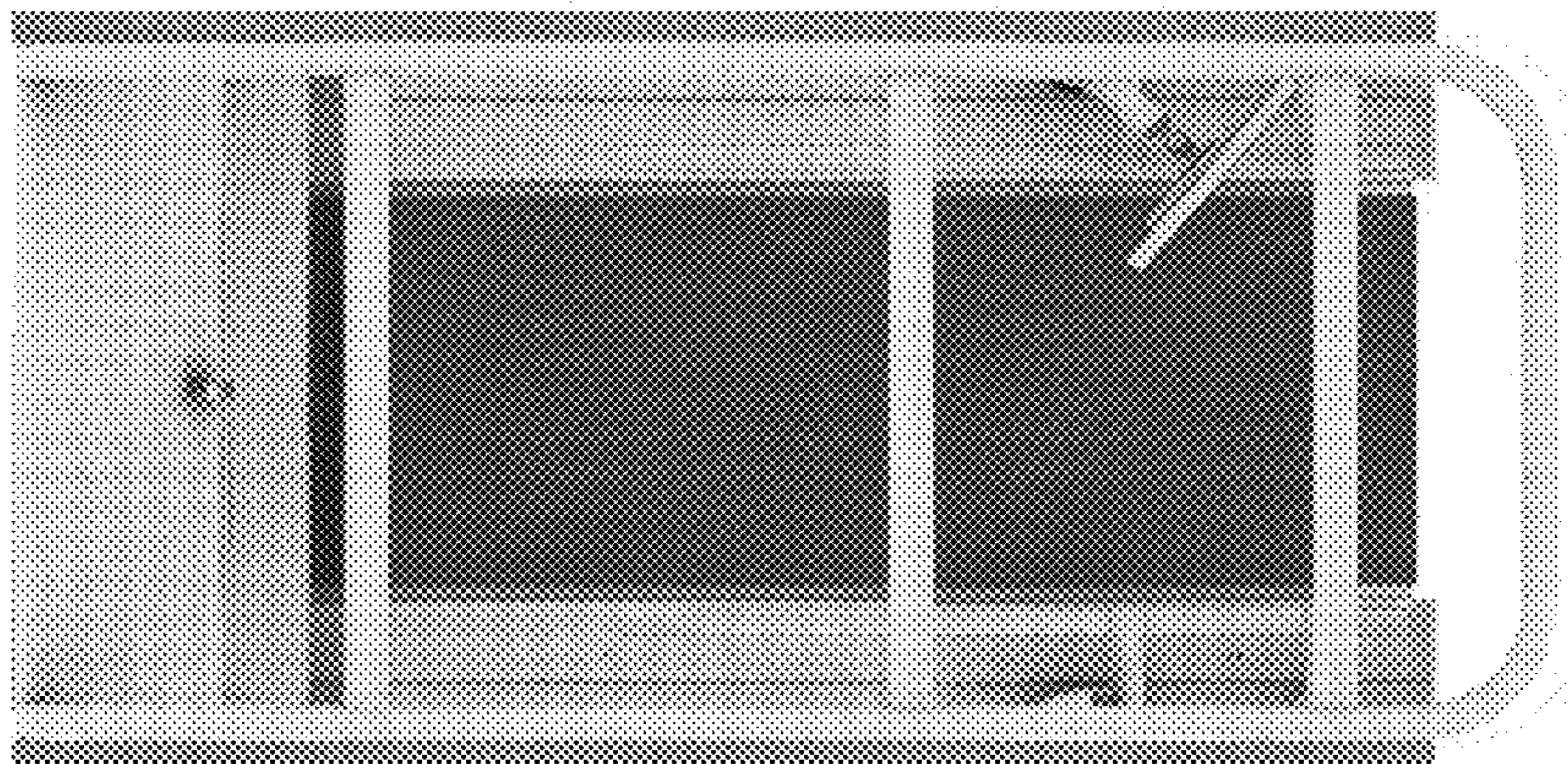


FIG. 5

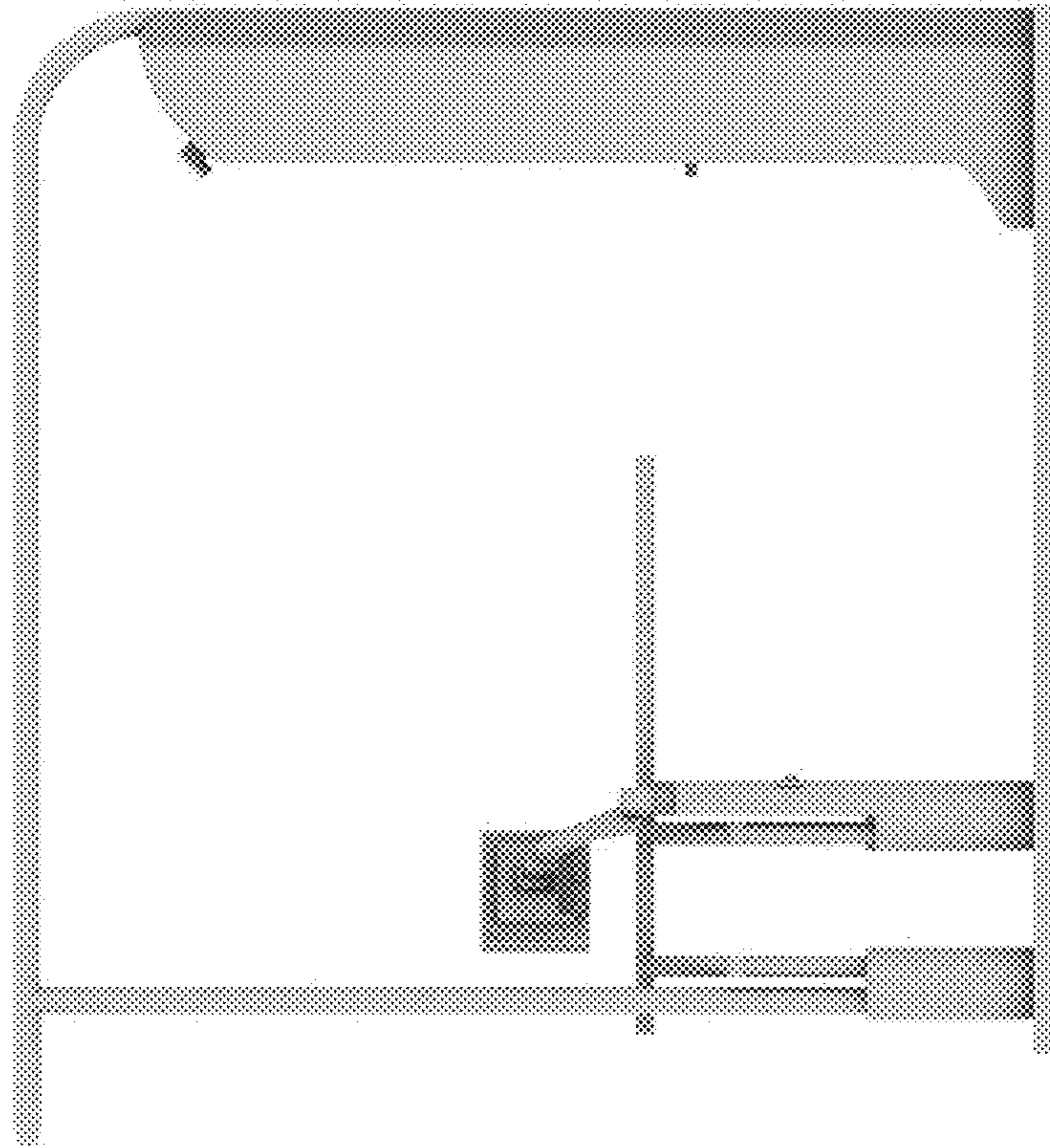


FIG. 8

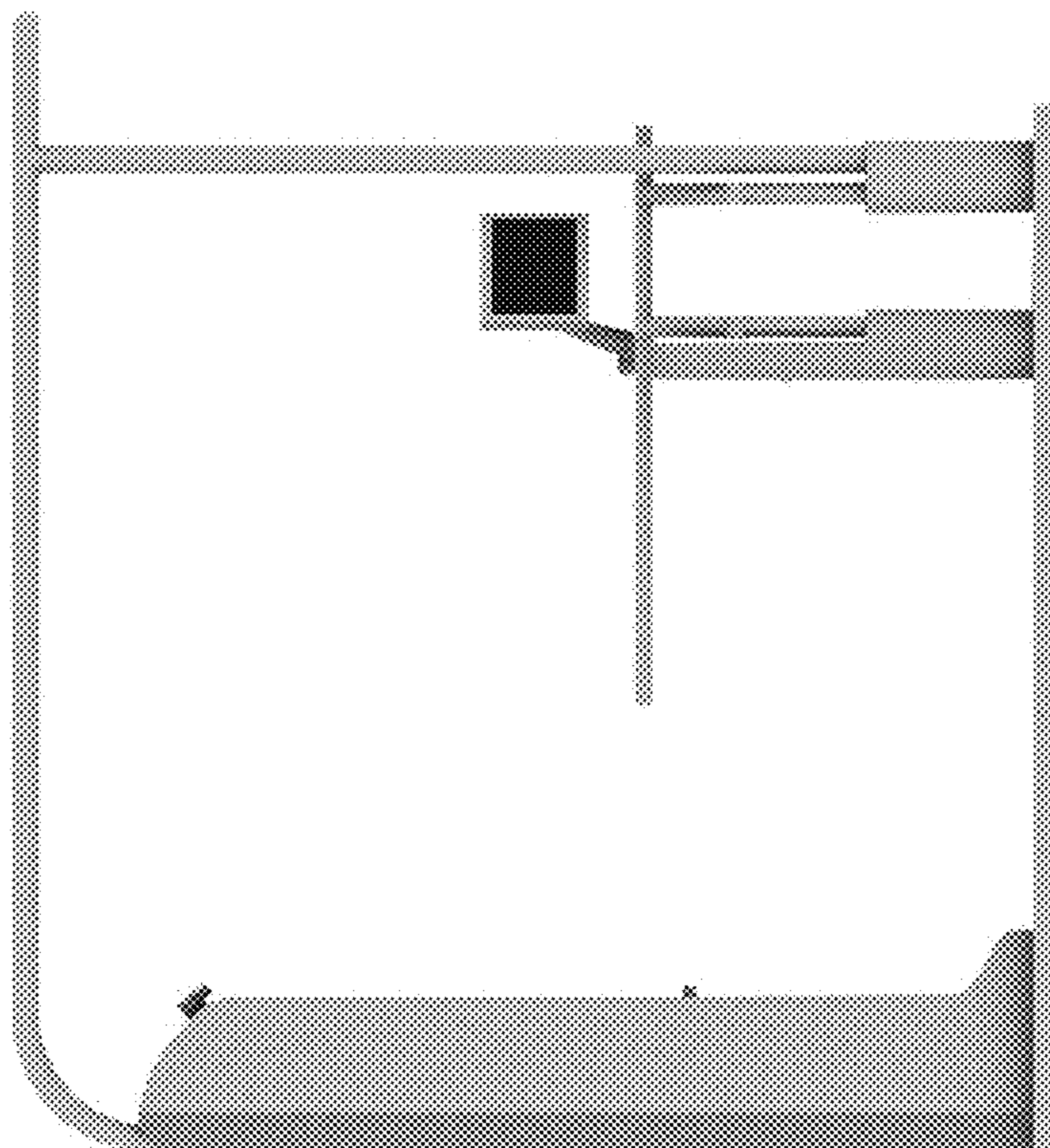


FIG. 7