



US00D755978S

(12) **United States Design Patent**
Krause

(10) **Patent No.:** **US D755,978 S**
(45) **Date of Patent:** **** May 10, 2016**

(54) **EKG VIEWING TOOL**
(71) Applicant: **Gary Krause**, Racine, WI (US)
(72) Inventor: **Gary Krause**, Racine, WI (US)
(73) Assignee: **EKG Concepts, LLC**, Racine, WI (US)
(**) Term: **14 Years**
(21) Appl. No.: **29/490,988**

D593,613 S * 6/2009 Langan D20/27
D596,965 S 7/2009 Nakatsubo et al.
D613,419 S 4/2010 Coyne, III et al.
D636,023 S 4/2011 Krause
D659,189 S 5/2012 Krause
D707,292 S 6/2014 Krause
D707,753 S 6/2014 Krause
8,747,117 B2 6/2014 Krause
D710,014 S * 7/2014 Johnson D14/486
D720,008 S * 12/2014 Krause D19/62
D733,306 S * 6/2015 Blankenship D24/169
2002/0125713 A1 9/2002 Raab
2005/0285384 A1 12/2005 Judson

(Continued)

(22) Filed: **May 15, 2014**
(51) **LOC (10) Cl.** **24-01**
(52) **U.S. Cl.**
USPC **D24/186**
(58) **Field of Classification Search**
USPC D24/165-168, 186, 140; D10/64;
D19/59, 62; D20/40
CPC A61B 5/04023; A61B 5/044; G09F 3/00;
G09F 2003/0247
See application file for complete search history.

OTHER PUBLICATIONS

U.S. Appl. No. 29/465,124, filed Aug. 23, 2013, Krause.
U.S. Appl. No. 29/466,504, filed Sep. 9, 2013, Krause et al.
U.S. Appl. No. 29/469,236, filed Oct. 8, 2013, Krause et al.
U.S. Appl. No. 14/285,199, filed May 22, 2014, Krause.
U.S. Appl. No. 29/490,988, filed May 15, 2014, Krause.
Basic Arrhythmia Flashcard Set, <http://www.mc.vanderbilt.edu/root/vumc/php?site=vanerbilt nursing&doc=18729>, 3 pages.
The ECG Ruler, American Heart Association, believed to be publicly available before Sep. 2009, 1 page.
Hawelka, "Cardiac Arrhythmia—Medical Pocket Cards," Jan. 10, 2007, Office Action in U.S. Appl. No. 12/880,544, 4 pages.

(56) **References Cited**

U.S. PATENT DOCUMENTS

D215,649 S 10/1969 MacLachlan et al.
3,792,542 A 2/1974 Cohan
4,165,890 A 8/1979 Leff
D260,153 S 8/1981 Koltys
D334,597 S 4/1993 Busquets
5,636,873 A 6/1997 Sonstebly
5,713,739 A 2/1998 Yu
D396,882 S 8/1998 Neal, Jr.
D412,208 S * 7/1999 Nelson D24/158
5,984,368 A 11/1999 Cain
5,984,685 A 11/1999 Portnoy
6,024,571 A 2/2000 Renegar
6,354,985 B2 3/2002 Huber
D456,910 S 5/2002 Clark et al.
6,406,922 B2 6/2002 Casterlin et al.
6,746,052 B1 6/2004 Reynolds
D514,699 S * 2/2006 Beckwith D24/140
D561,187 S 2/2008 Kunioka et al.
D587,145 S 2/2009 Nakatsubo et al.
D588,029 S 3/2009 Nakatsubo et al.
D589,380 S 3/2009 Nakatsubo et al.

Primary Examiner — Anhdao Doan

(74) *Attorney, Agent, or Firm* — Reinhart Boerner Van Deuren s.c.

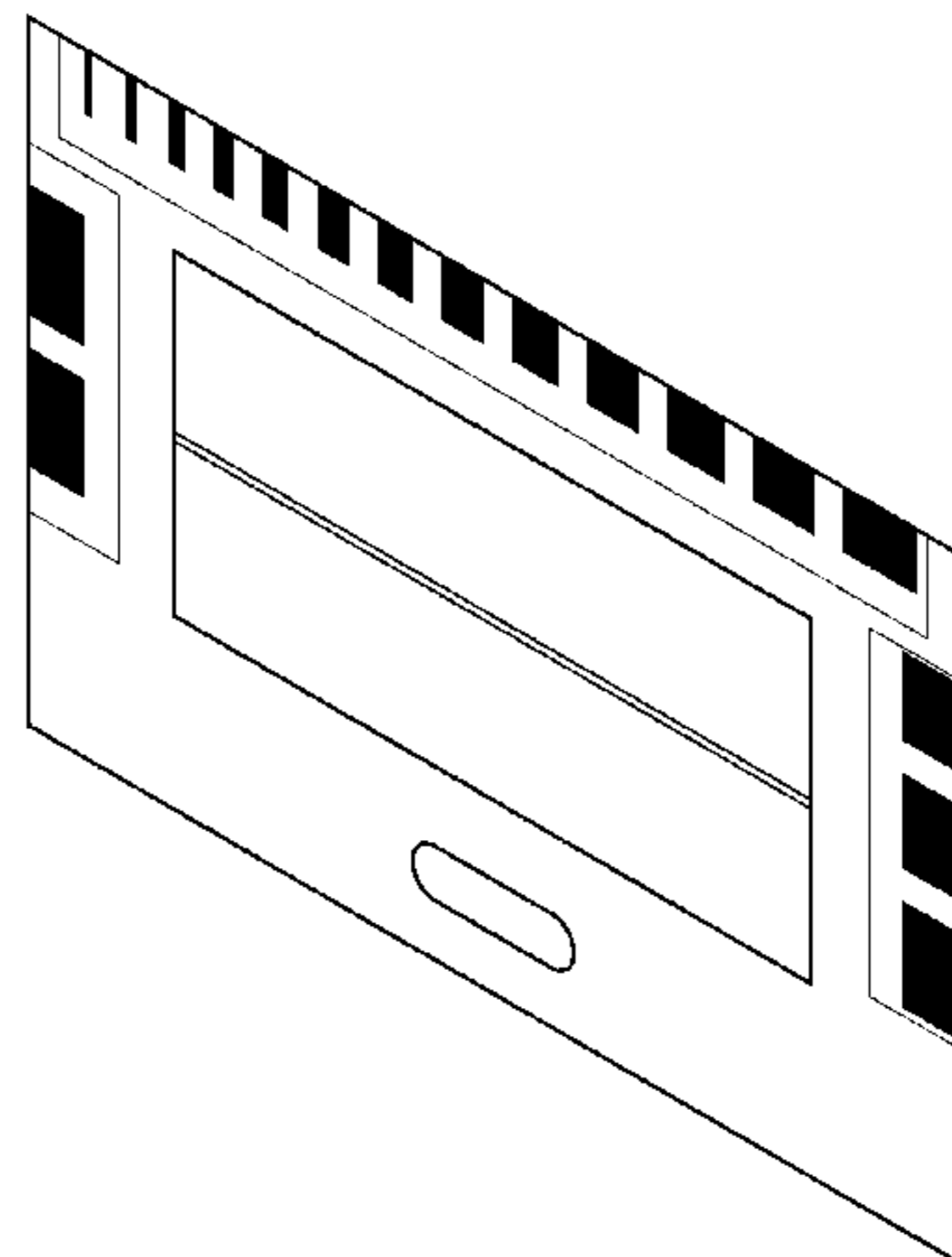
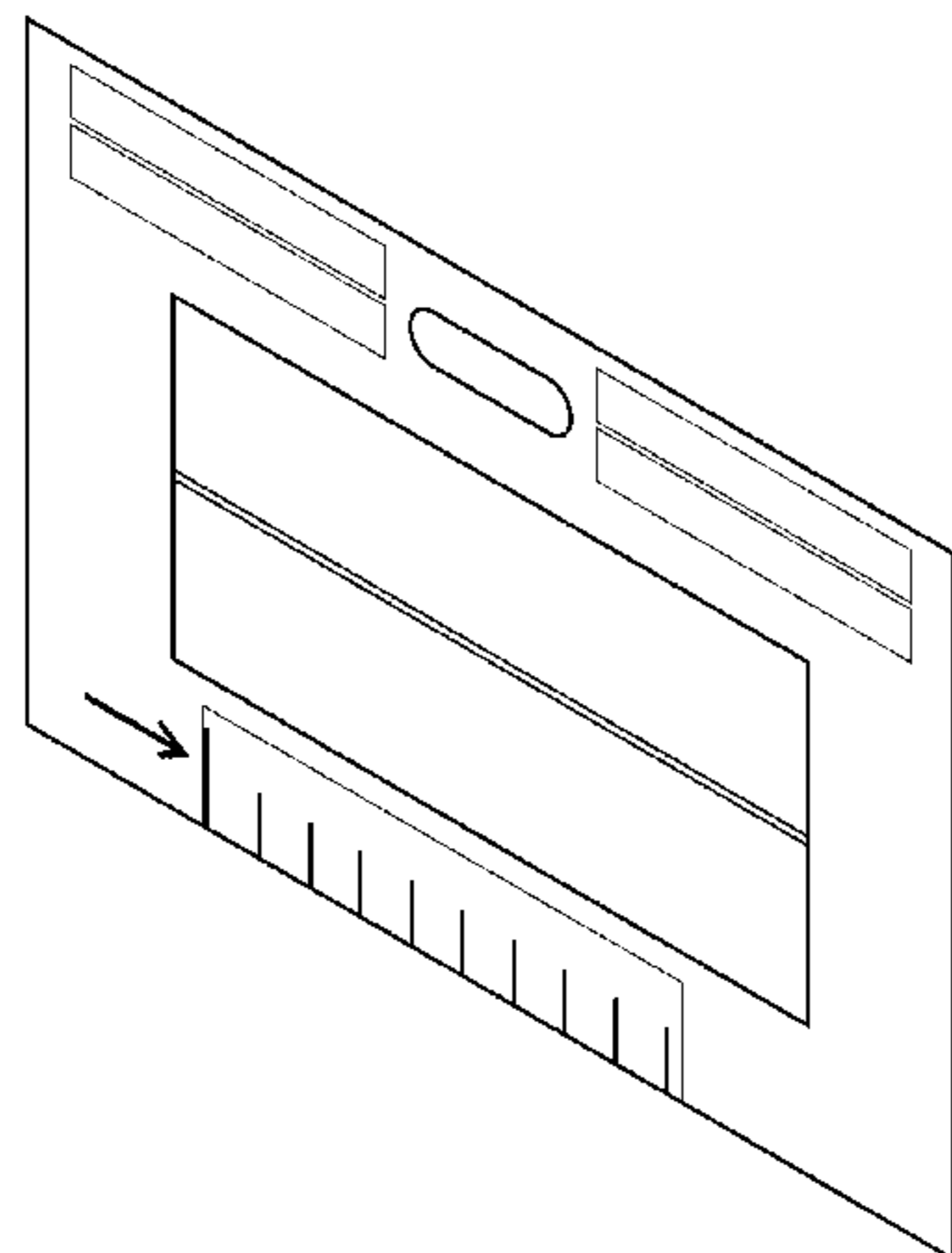
(57) **CLAIM**

I claim the ornamental design for an EKG viewing tool, as shown and described.

DESCRIPTION

FIG. 1 is a front perspective view of an EKG viewing tool;
FIG. 2 is a rear perspective view thereof;
FIG. 3 is a front view thereof;
FIG. 4 is a rear view thereof;
FIG. 5 is a left side view thereof;
FIG. 6 is a right side view thereof;
FIG. 7 is a top view thereof; and,
FIG. 8 is a bottom view thereof.

1 Claim, 5 Drawing Sheets



(56)

References Cited

U.S. PATENT DOCUMENTS

2008/0038704 A1 2/2008 Aruffo et al.
2008/0081322 A1 4/2008 Fosbrook

2008/0153071 A1 6/2008 Stillman
2012/0064496 A1 3/2012 Krause
2013/0052624 A1 2/2013 Saps et al.

* cited by examiner

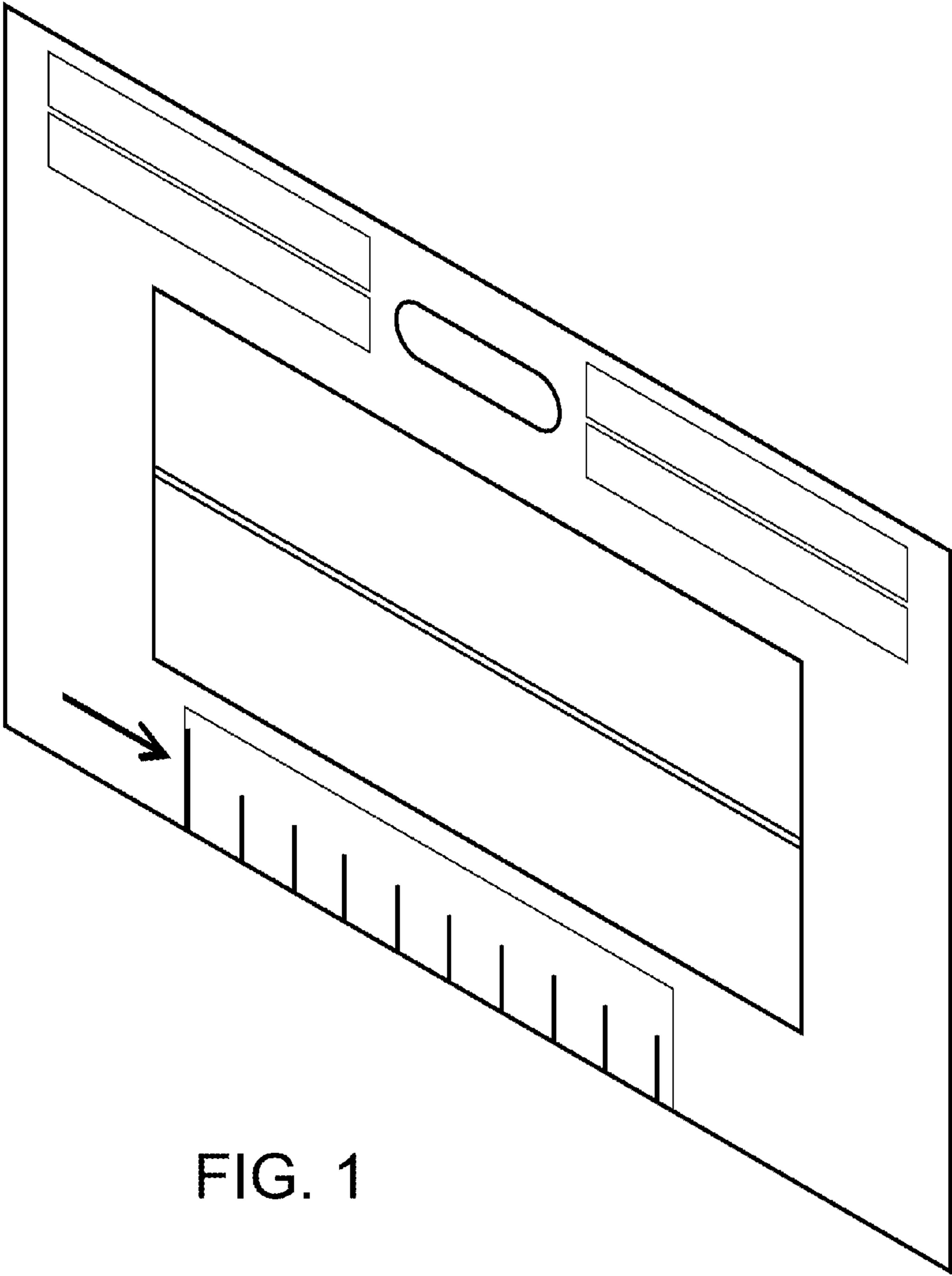


FIG. 1

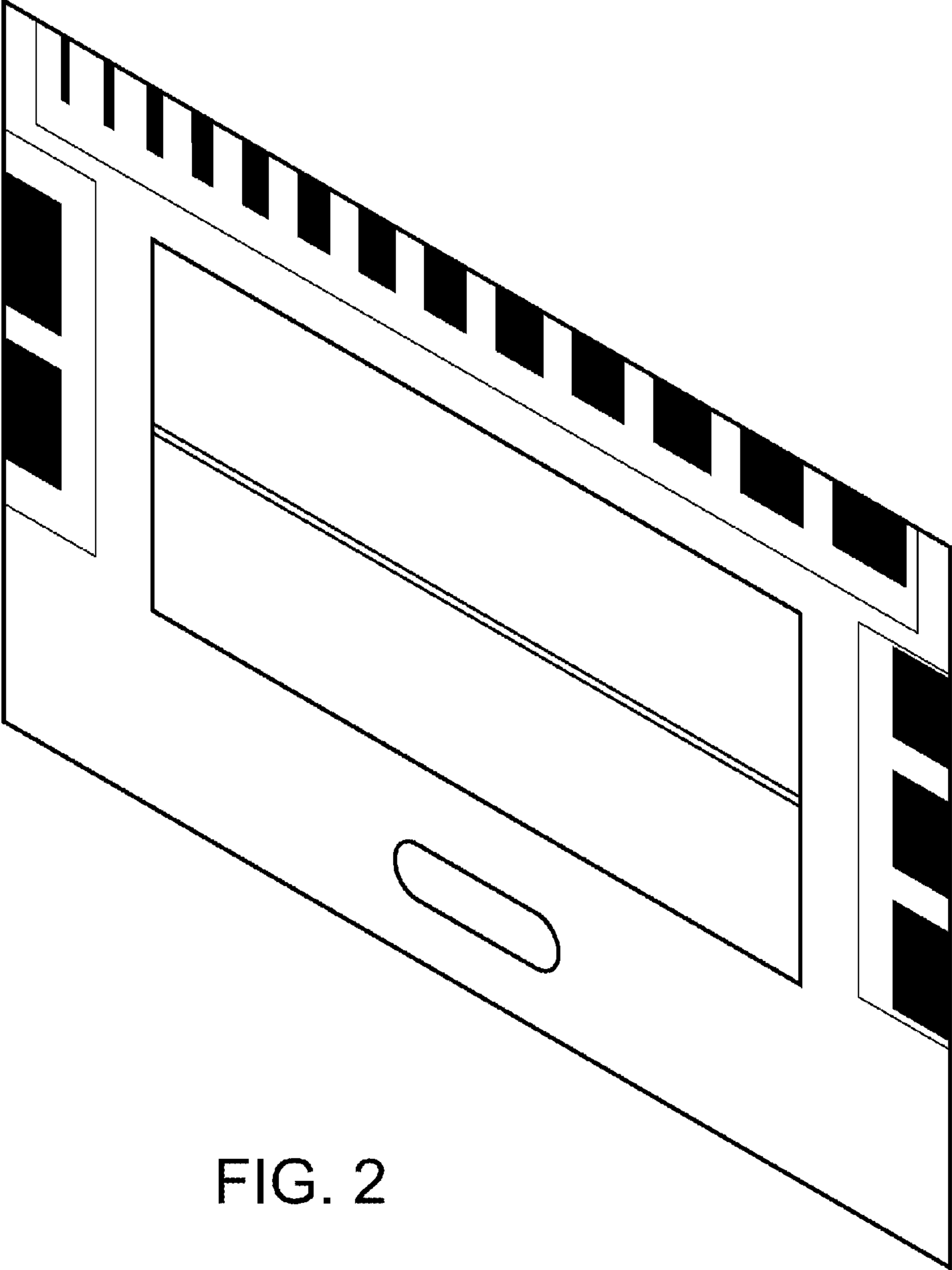


FIG. 2

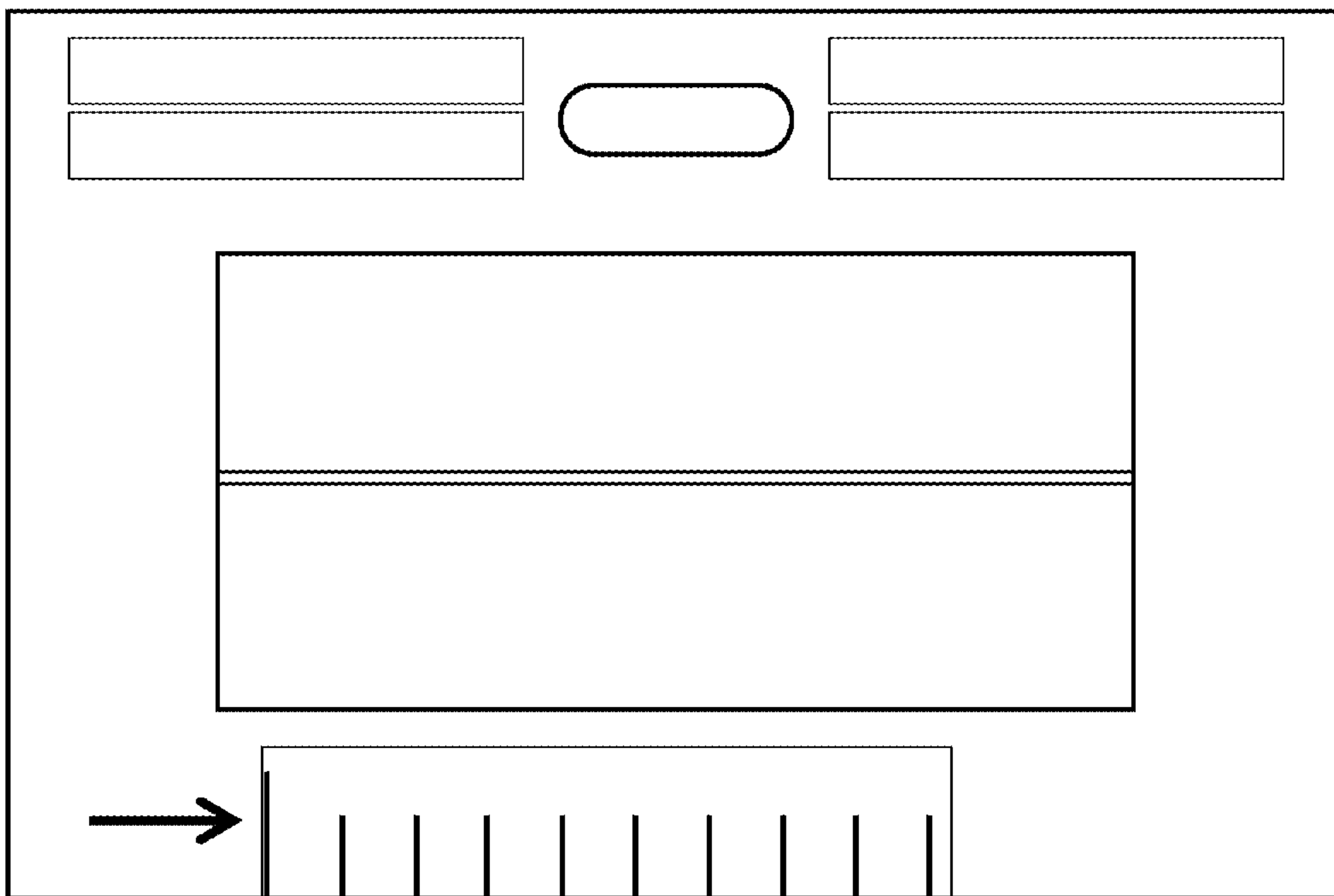


FIG. 3

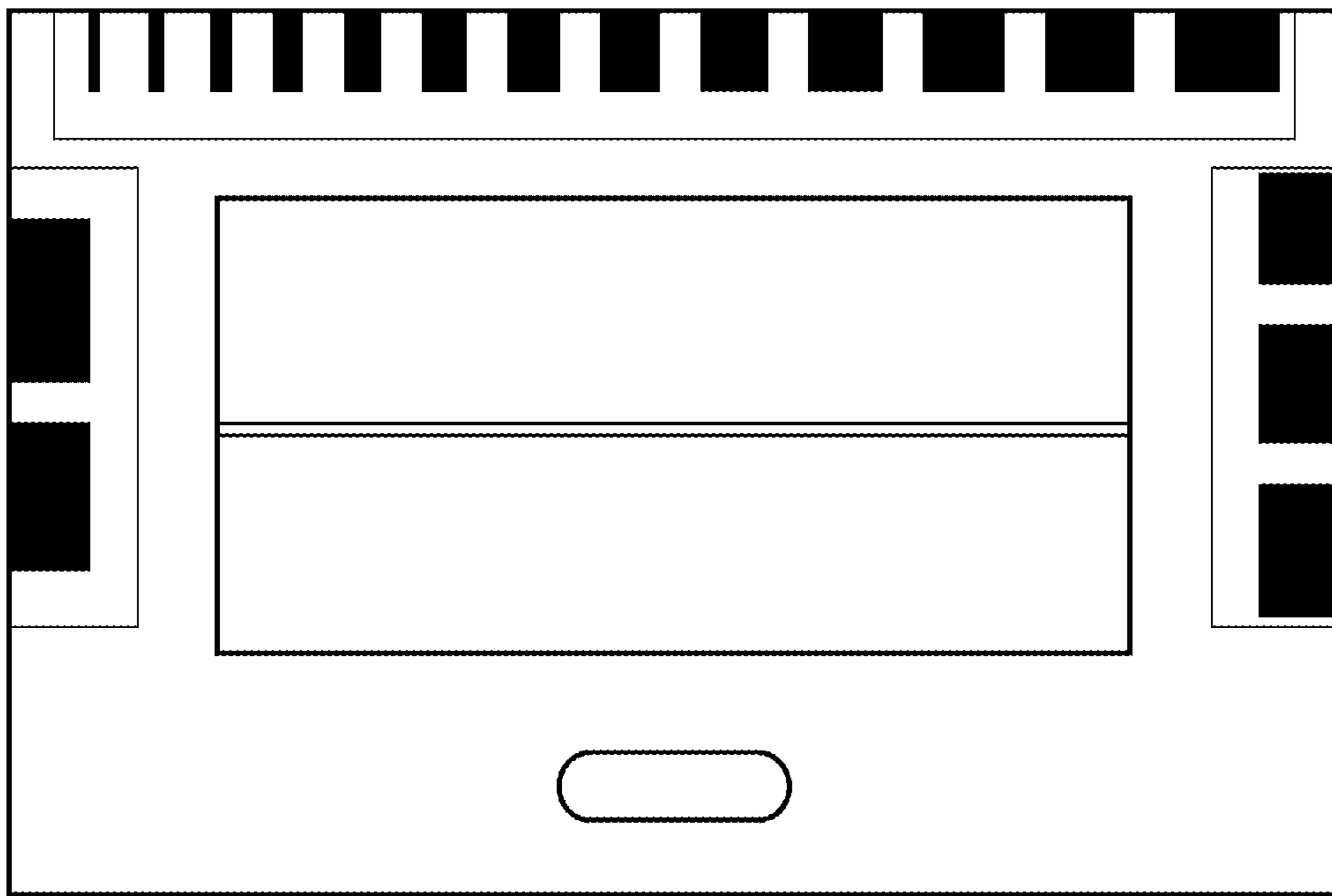


FIG. 4



FIG. 5



FIG. 6



FIG. 7



FIG. 8