



US00D755975S

(12) **United States Design Patent**
Collins

(10) **Patent No.:** **US D755,975 S**

(45) **Date of Patent:** **** May 10, 2016**

(54) **LATCH FOR AN ENCLOSURE DOOR**

(71) Applicant: **DEKA Products Limited Partnership**,
Manchester, NH (US)

(72) Inventor: **David E. Collins**, Groveland, MA (US)

(73) Assignee: **DEKA Products Limited Partnership**,
Manchester, NH (US)

(**) Term: **14 Years**

(21) Appl. No.: **29/493,124**

(22) Filed: **Jun. 5, 2014**

(51) **LOC (10) Cl.** **24-01**

(52) **U.S. Cl.**
USPC **D24/169**

(58) **Field of Classification Search**
USPC D24/169, 186, 107, 108, 111, 216, 219,
D24/232; 604/27, 29, 131, 132, 140, 141,
604/146, 6.01–6.05, 6.11, 6.13–6.16, 151;
D8/302, 308
CPC A61M 1/28; A61M 1/281; A61M 1/282;
A61M 1/3621; A61M 2205/12
See application file for complete search history.

(56) **References Cited**

U.S. PATENT DOCUMENTS

D351,470 S * 10/1994 Scherer D24/169
5,431,626 A * 7/1995 Bryant A61M 1/28
128/DIG. 12
5,628,908 A * 5/1997 Kamen A61M 1/28
210/180
D565,178 S * 3/2008 Tanaka D24/107
D675,727 S * 2/2013 Collins D24/107
D680,849 S * 4/2013 Berger D8/308
8,597,229 B2 12/2013 Pan
2009/0294359 A1 12/2009 Hopping et al.

OTHER PUBLICATIONS

Ing, Todd S., Mohamed A. Rahman, and Carl M. Kjellstrand, editors.
Dialysis: History, Development, and Promise. Hackensack, NJ:
World Scientific, 2012. 259-269.

Baxter Healthcare Corporation. *Home Choice: HomeChoice PRO APD Systems Patient At-Home Guide*. N.p.: Baxter Healthcare Corporation, 2009: i, sect.-p. 5-8, 5-10, 20-3, 20-5, 20-19.

* cited by examiner

Primary Examiner — Anhdao Doan

(74) *Attorney, Agent, or Firm* — Marc J. Gorayeb

(57) **CLAIM**

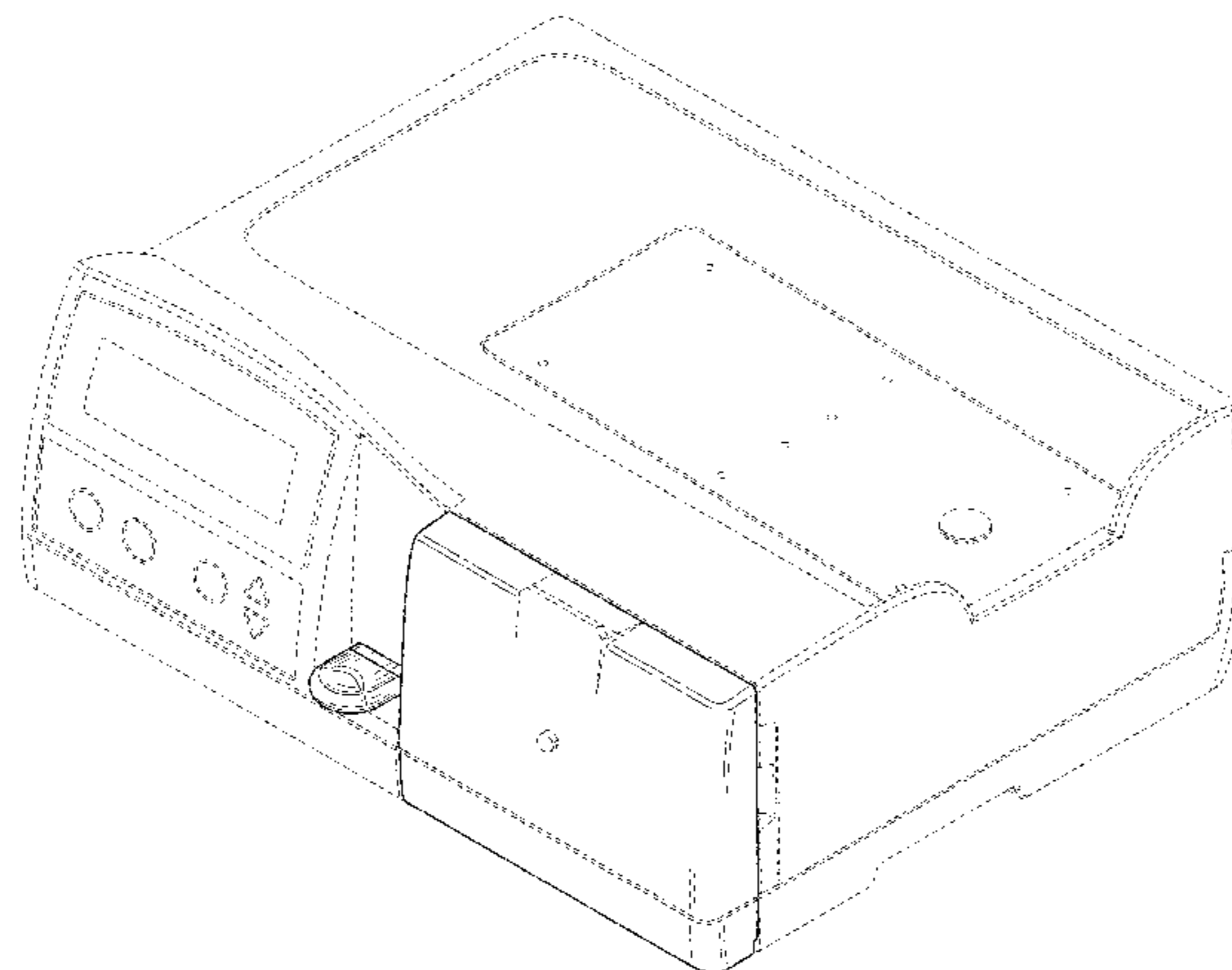
The ornamental design for an latch for an enclosure door, as shown and described.

DESCRIPTION

FIG. 1 is a front, top, and right side perspective view of the latch for an enclosure door, showing the new design; FIG. 2 is a front side elevational view thereof; FIG. 3 is a rear side elevational view thereof; FIG. 4 is a right side elevational view thereof; FIG. 5 is a left side elevational view thereof; FIG. 6 is a top plan view thereof; FIG. 7 is a bottom plan view thereof; FIG. 8 is another front, top, and right side perspective view thereof, with the door in an open position; FIG. 9 is another front side elevational view thereof, with the door in an open position; FIG. 10 is another rear side elevational view thereof, with the door in an open position; FIG. 11 is another right side elevational view thereof, with the door in an open position; FIG. 12 is another left side elevational view thereof, with the door in an open position; FIG. 13 is another top plan view thereof, with the door in an open position; and, FIG. 14 is another bottom plan view thereof, with the door in an open position.

The broken lines adjacent to the shaded areas represent the bounds of the claim, and other broken lines represent unclaimed portions of the design. None of the broken lines form a part of the claimed design.

1 Claim, 11 Drawing Sheets



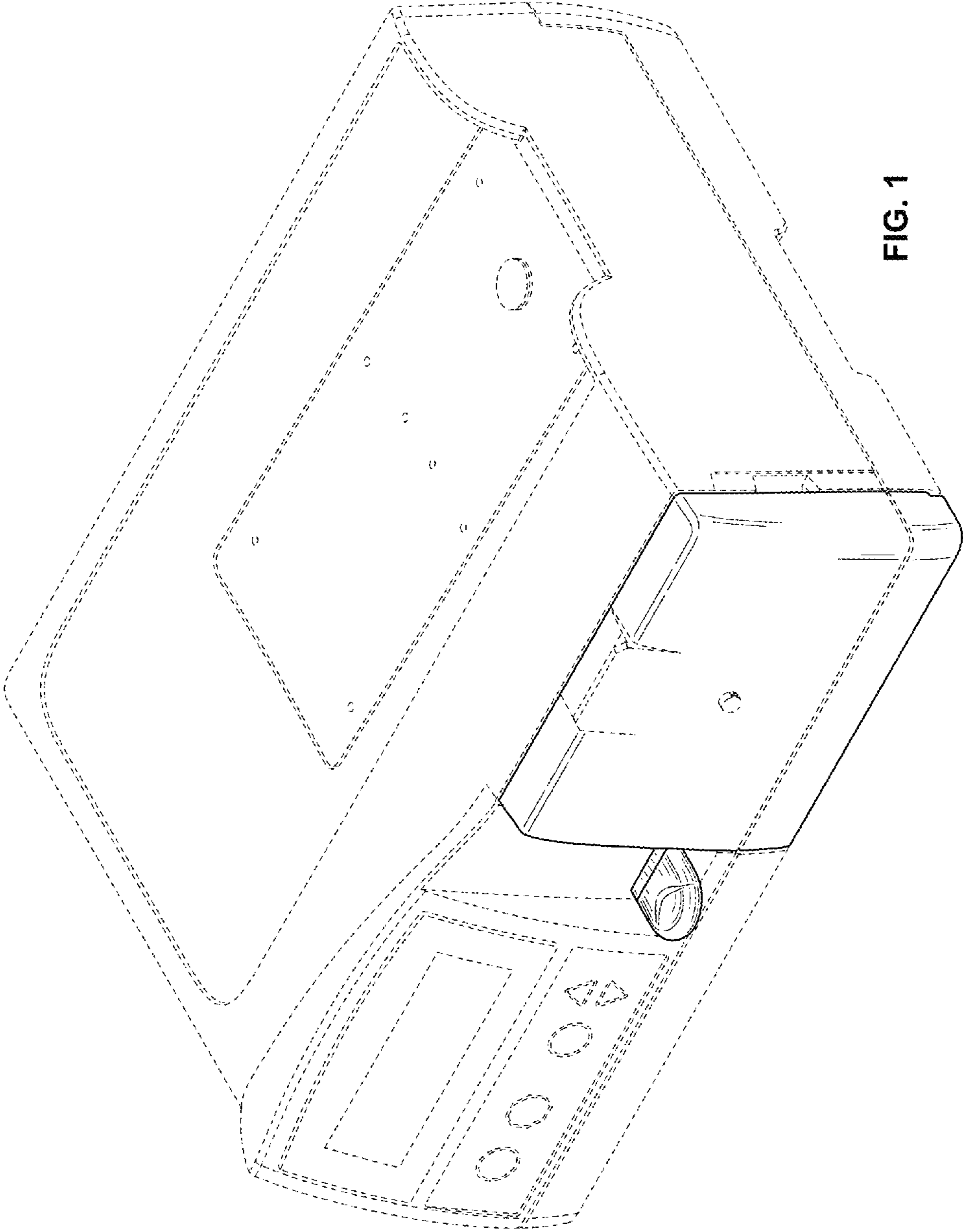


FIG. 1

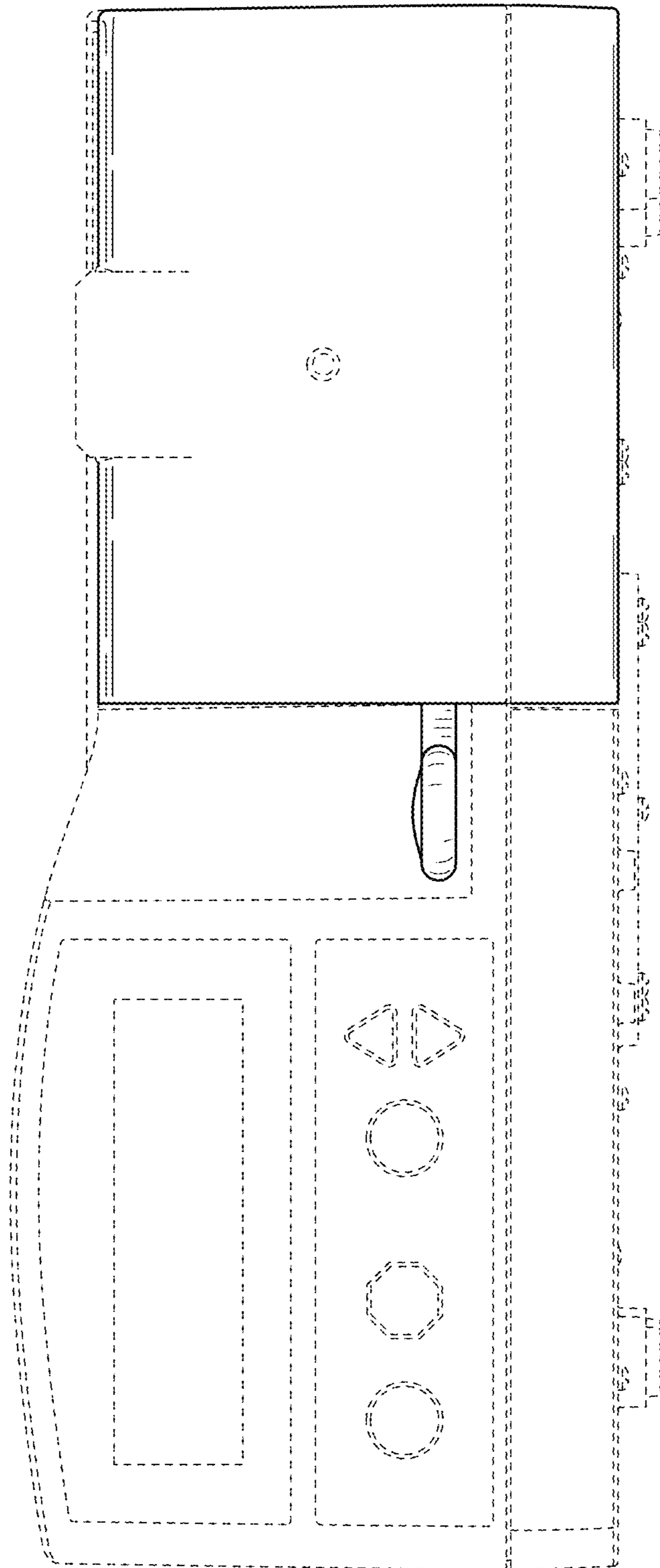


FIG. 2

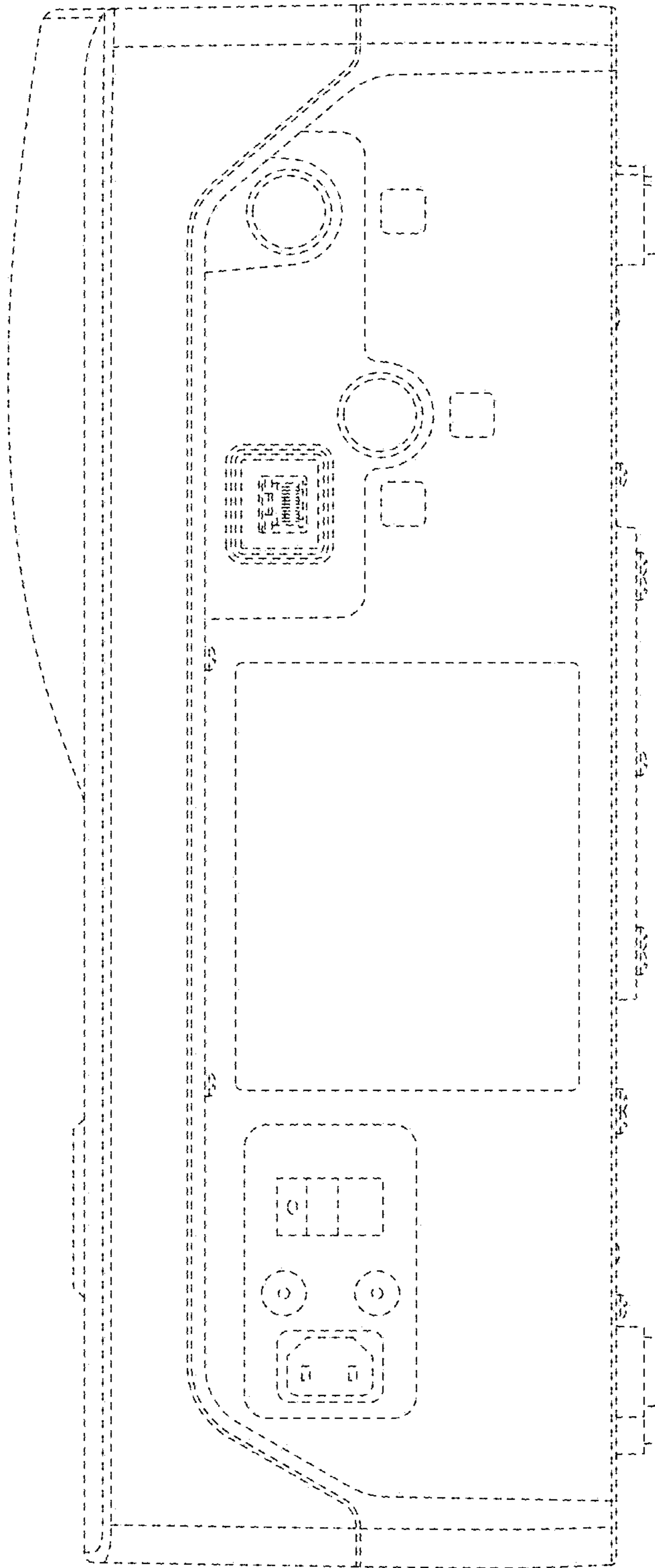


FIG. 3

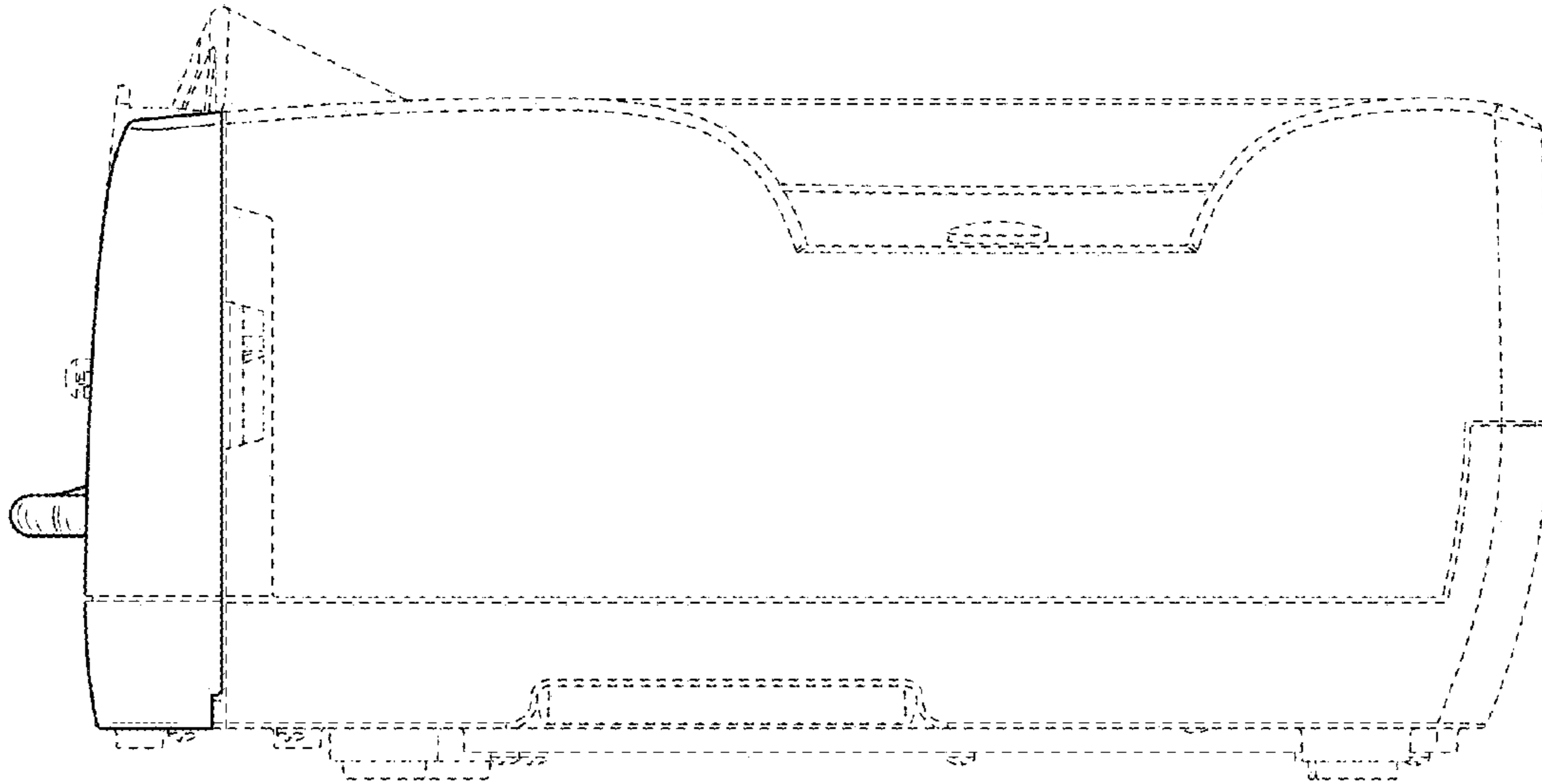


FIG. 4

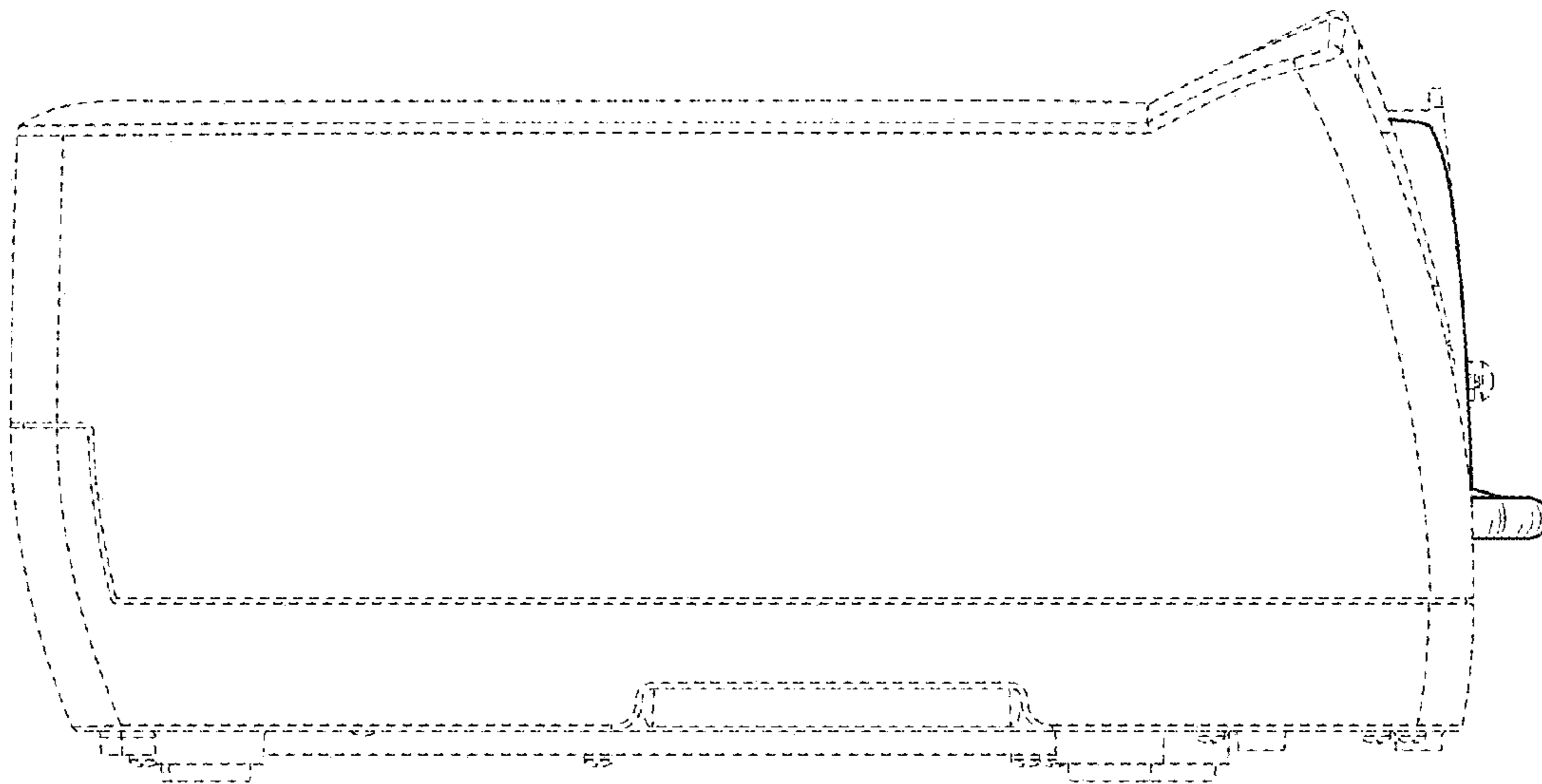


FIG. 5

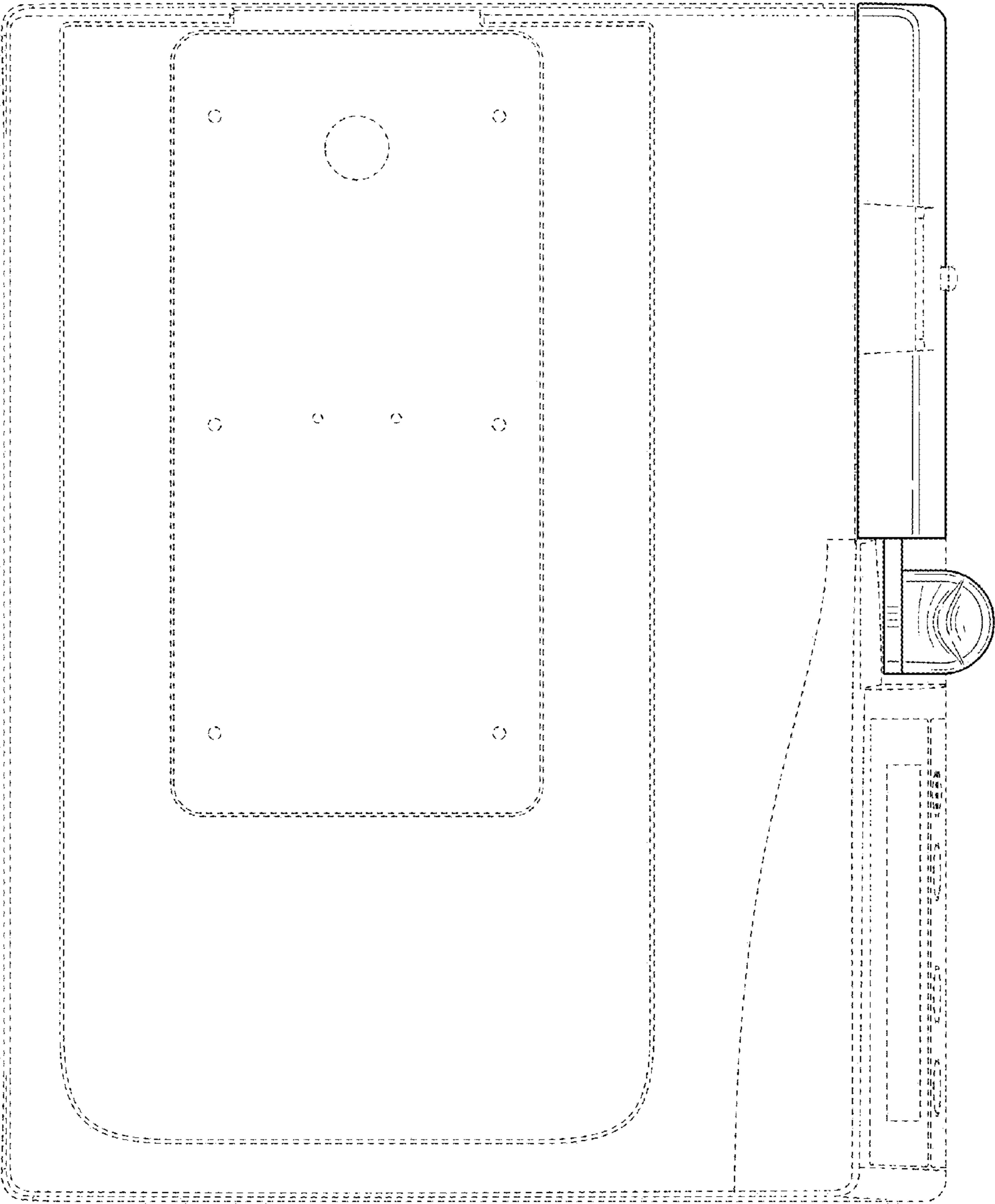


FIG. 6

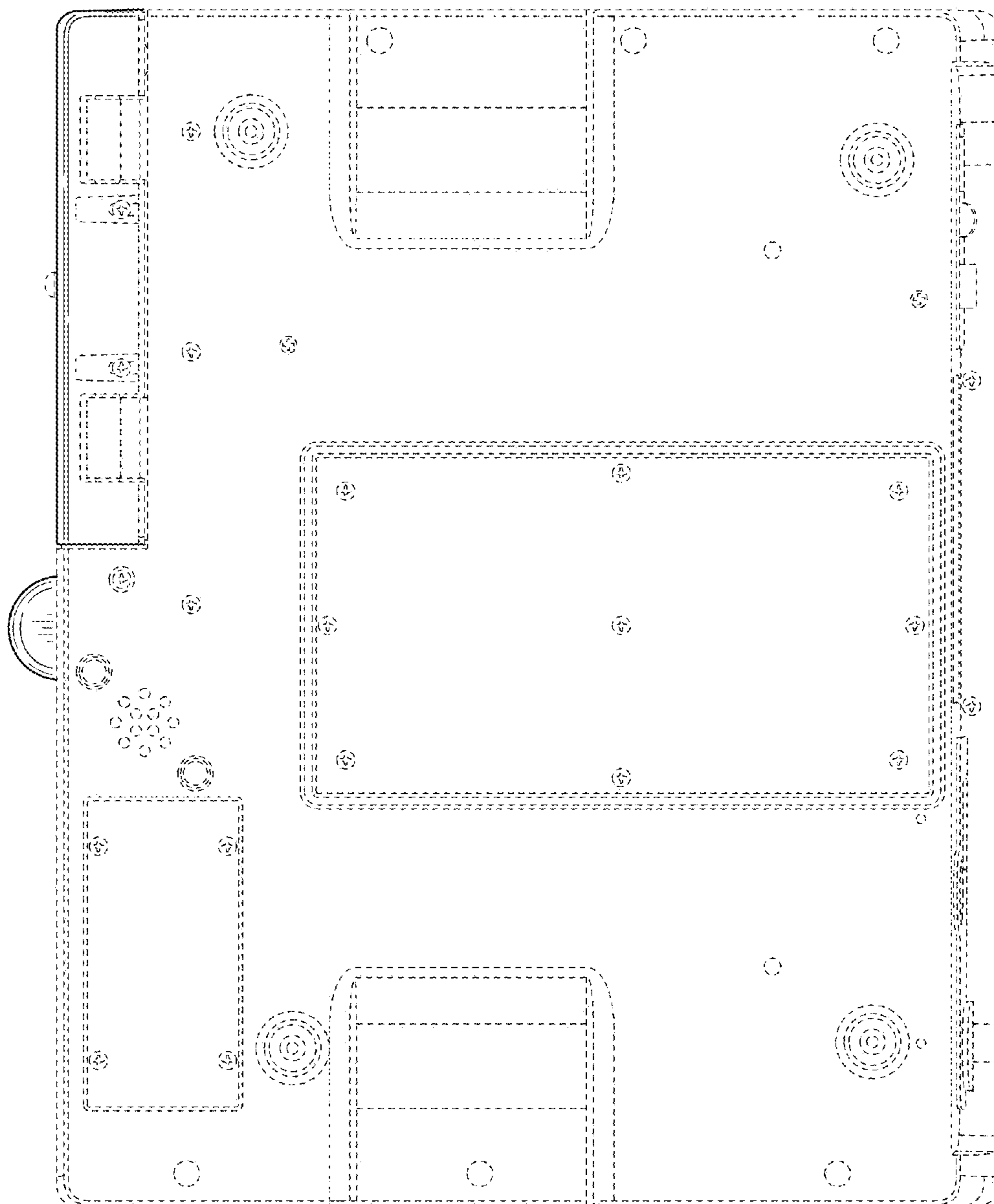


FIG. 7

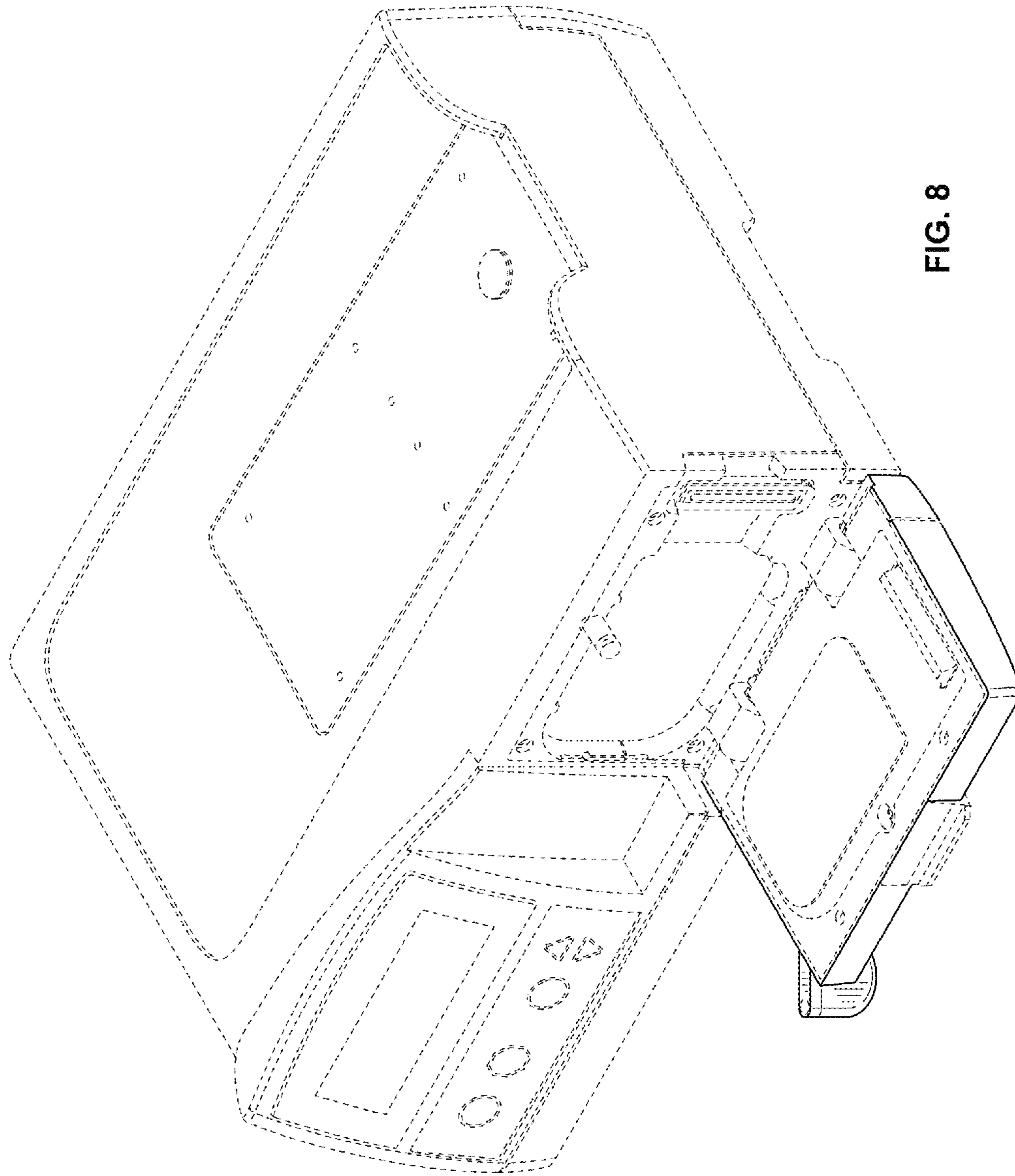


FIG. 8

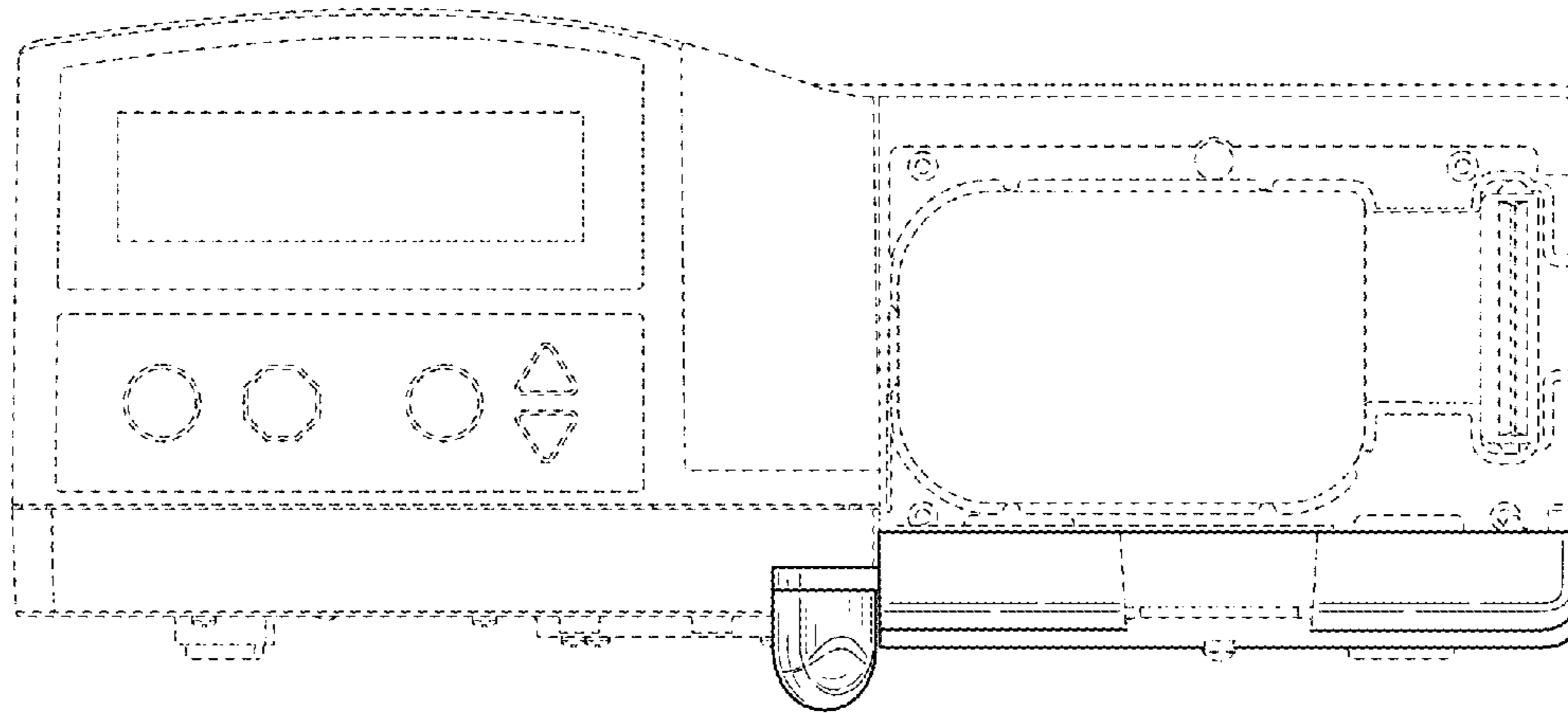


FIG. 9

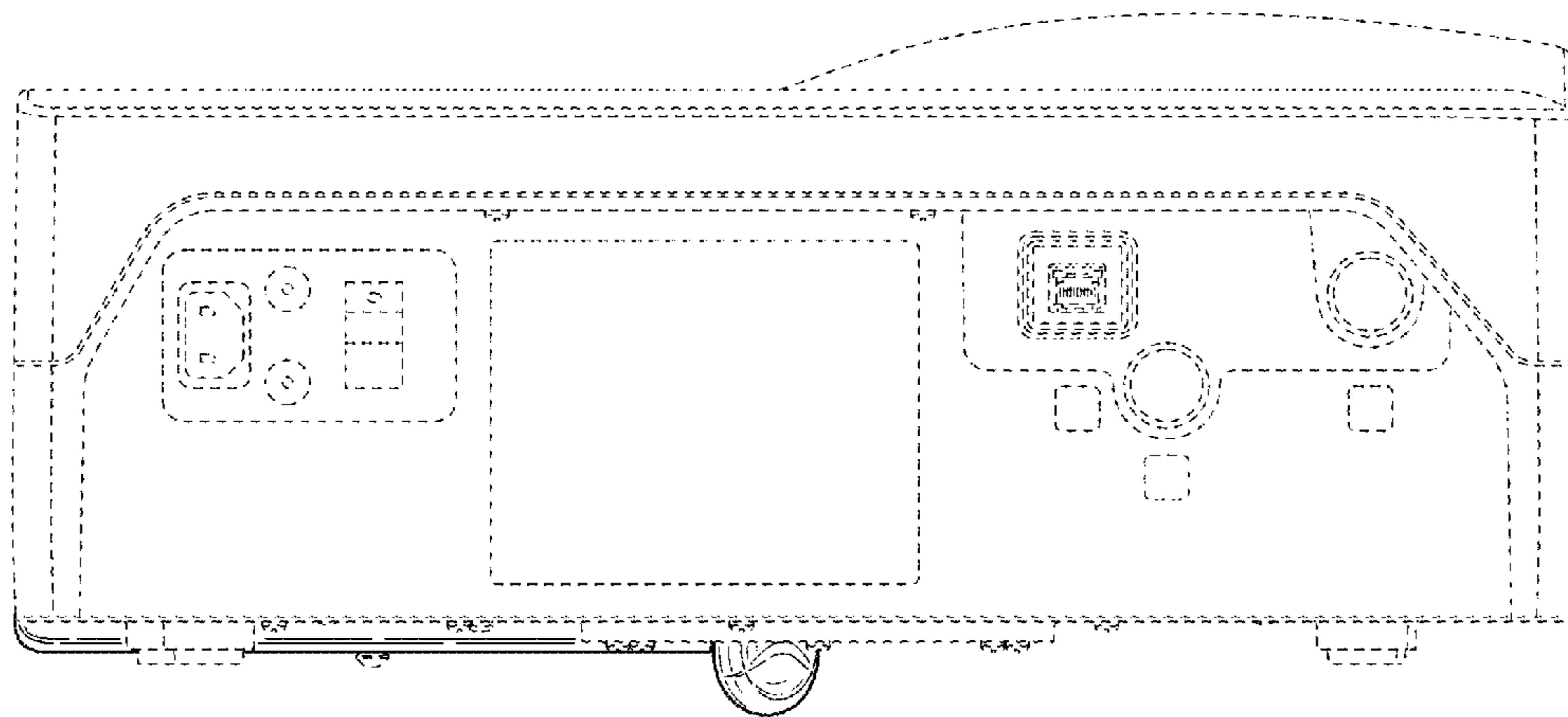


FIG. 10

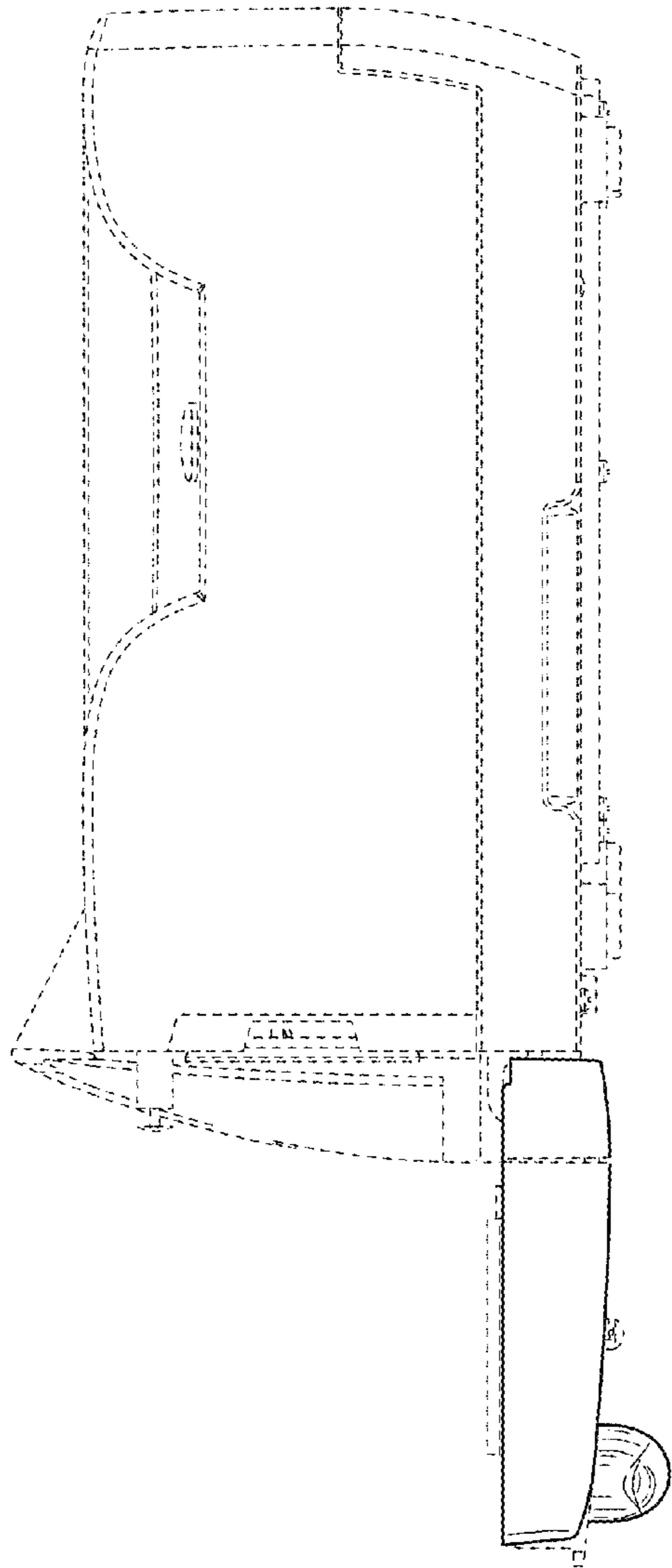


FIG. 11

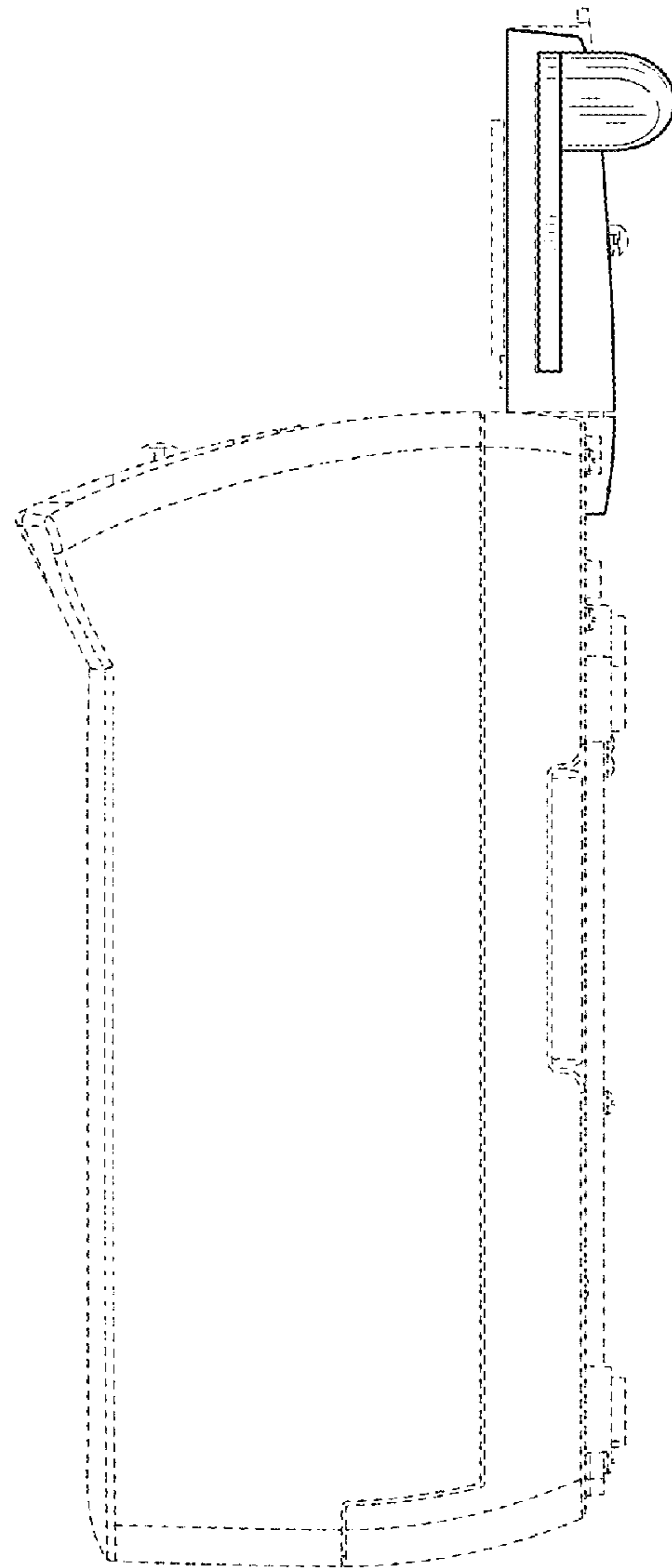


FIG. 12

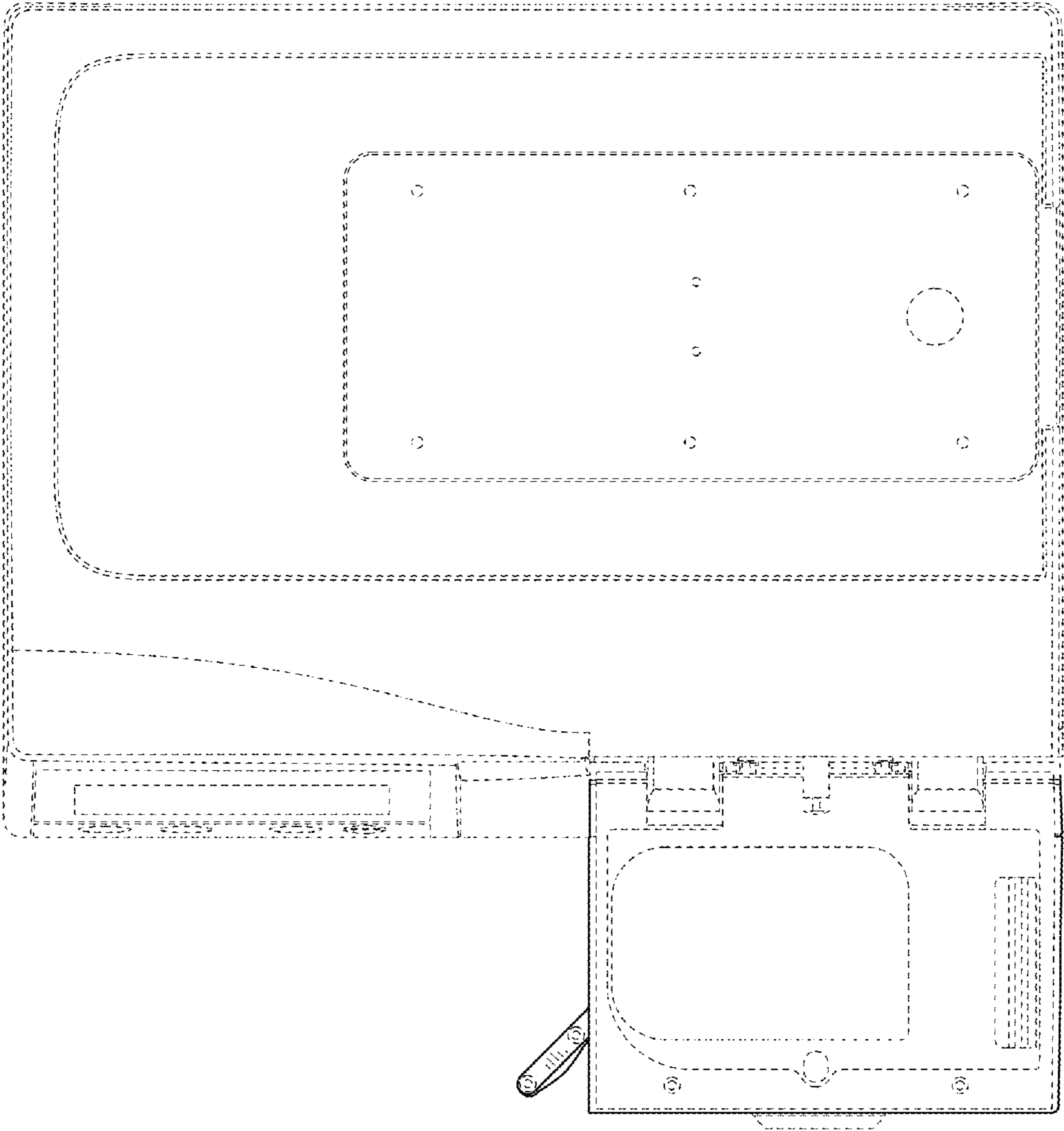


FIG. 13

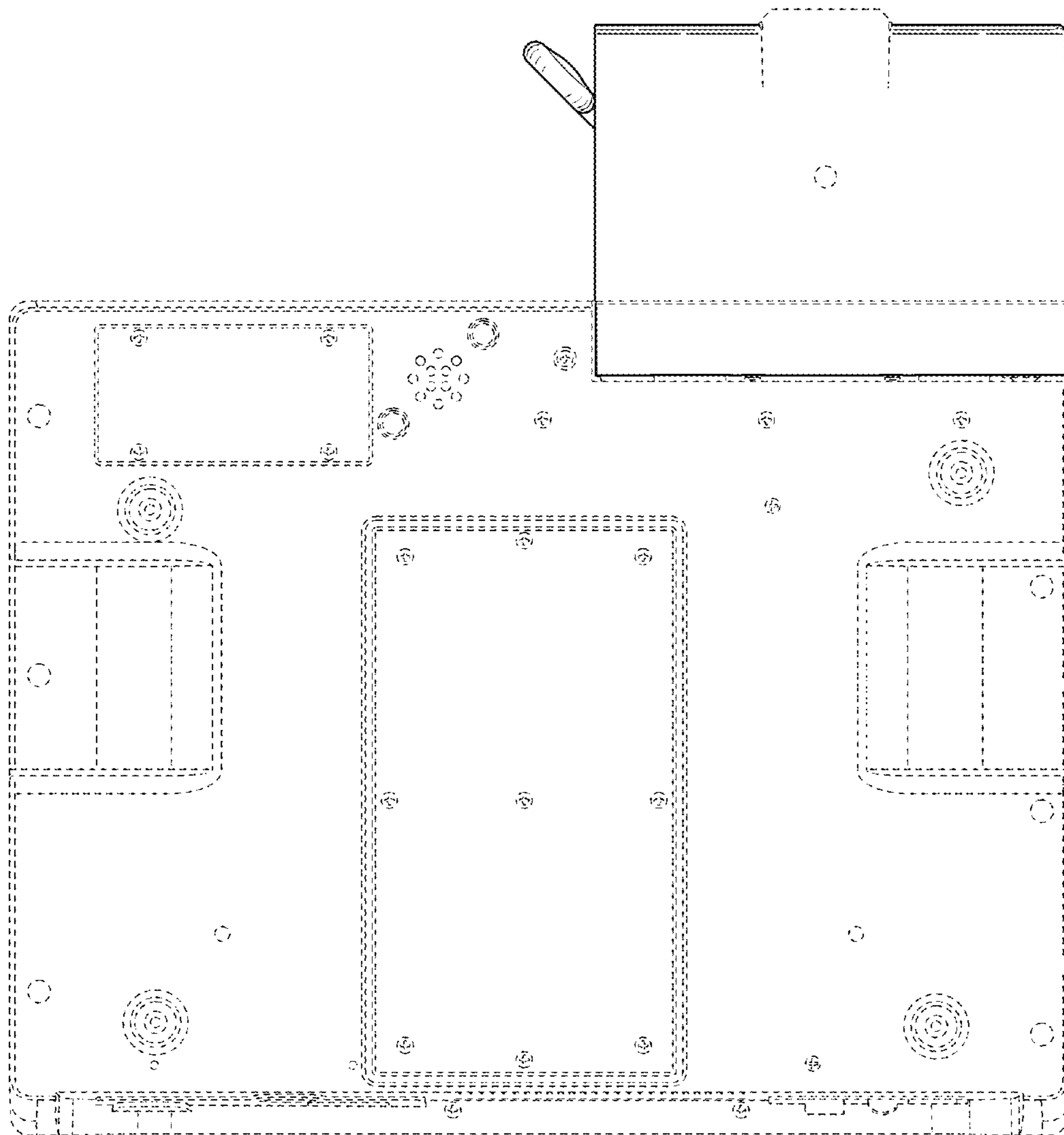


FIG. 14