



US00D755974S

(12) **United States Design Patent**  
**Chen et al.**

(10) **Patent No.:** **US D755,974 S**

(45) **Date of Patent:** **\*\* May 10, 2016**

(54) **BLOOD PRESSURE MONITOR**

(71) Applicant: **SYNCMOLD ENTERPRISE CORP.**,  
New Taipei (TW)

(72) Inventors: **Yao-Lin Chen**, New Taipei (TW);  
**Cheng-Chieh Hung**, New Taipei (TW)

(73) Assignee: **SYNCMOLD ENTERPRISE CORP.**,  
New Taipei (TW)

(\*\*) Term: **14 Years**

(21) Appl. No.: **29/522,124**

(22) Filed: **Mar. 27, 2015**

(51) **LOC (10) Cl.** ..... **24-01**

(52) **U.S. Cl.**  
USPC ..... **D24/165**

(58) **Field of Classification Search**  
USPC ..... D24/164–168, 186, 187; D10/75, 70,  
D10/78  
CPC .... A61B 5/0402; A61B 5/0404; A61B 5/021;  
A61B 5/024; A61B 5/02438; A61B 5/681;  
A61B 2560/0205; A61B 2560/0462  
See application file for complete search history.

(56) **References Cited**

**U.S. PATENT DOCUMENTS**

D398,999 S 9/1998 Maeda et al.  
D484,246 S \* 12/2003 Lee ..... D24/186  
D608,451 S \* 1/2010 Hanoun ..... D24/186  
D634,430 S \* 3/2011 Osiecki ..... D24/165  
D635,873 S \* 4/2011 Ogihara ..... D10/70  
D715,665 S \* 10/2014 Park ..... D10/70  
D719,658 S \* 12/2014 McDougall ..... D24/165

D726,567 S \* 4/2015 De Jong ..... D10/70  
D732,989 S \* 6/2015 Ogihara ..... D10/70  
D744,109 S \* 11/2015 Yoneta ..... D24/186  
2011/0237924 A1 \* 9/2011 McGusty ..... A61B 5/04085  
600/391

**FOREIGN PATENT DOCUMENTS**

TW D135840 S1 7/2010

\* cited by examiner

*Primary Examiner* — Anhdao Doan

(74) *Attorney, Agent, or Firm* — Muncy, Geissler, Olds &  
Lowe, P.C.

(57) **CLAIM**

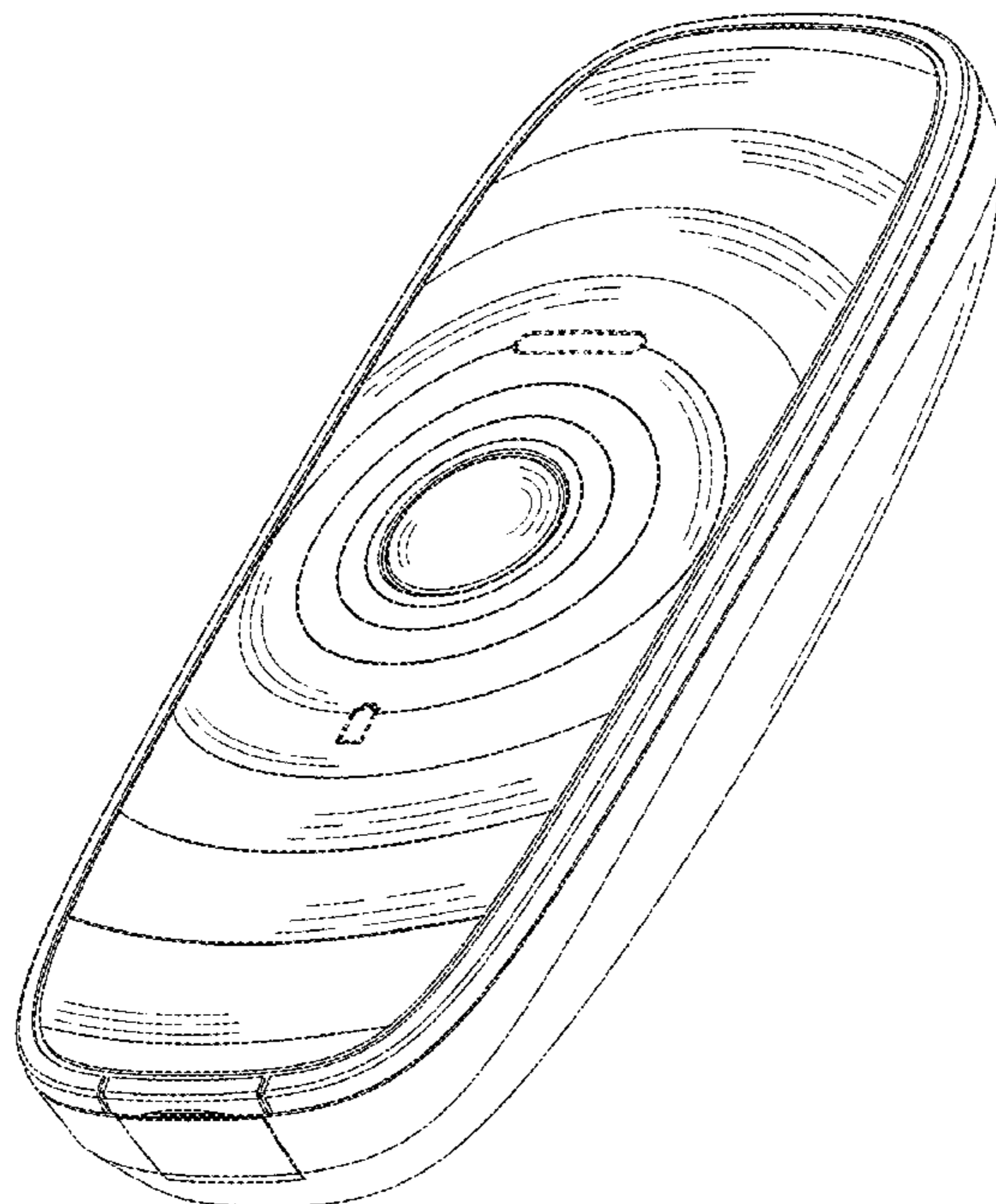
The ornamental design for a blood pressure monitor, as  
shown and described.

**DESCRIPTION**

FIG. 1 is a perspective view of a blood pressure monitor  
showing the claimed design;  
FIG. 2 is a front elevational view thereof;  
FIG. 3 is a rear elevational view of thereof;  
FIG. 4 is a left side elevational view of thereof;  
FIG. 5 is a right side elevational view of thereof;  
FIG. 6 is a top plan view of thereof;  
FIG. 7 is a bottom plan view of thereof; and,  
FIG. 8 is perspective view showing the blood pressure moni-  
tor in a usage state.

The broken lines depicting a blood pressure cuff and an arm  
in FIG. 8 are directed to environment and are for illustrative  
purpose only, while other broken lines are directed to portions  
of the blood pressure monitor that form no part of the claimed  
design; the broken lines form no part of the claimed design.

**1 Claim, 7 Drawing Sheets**



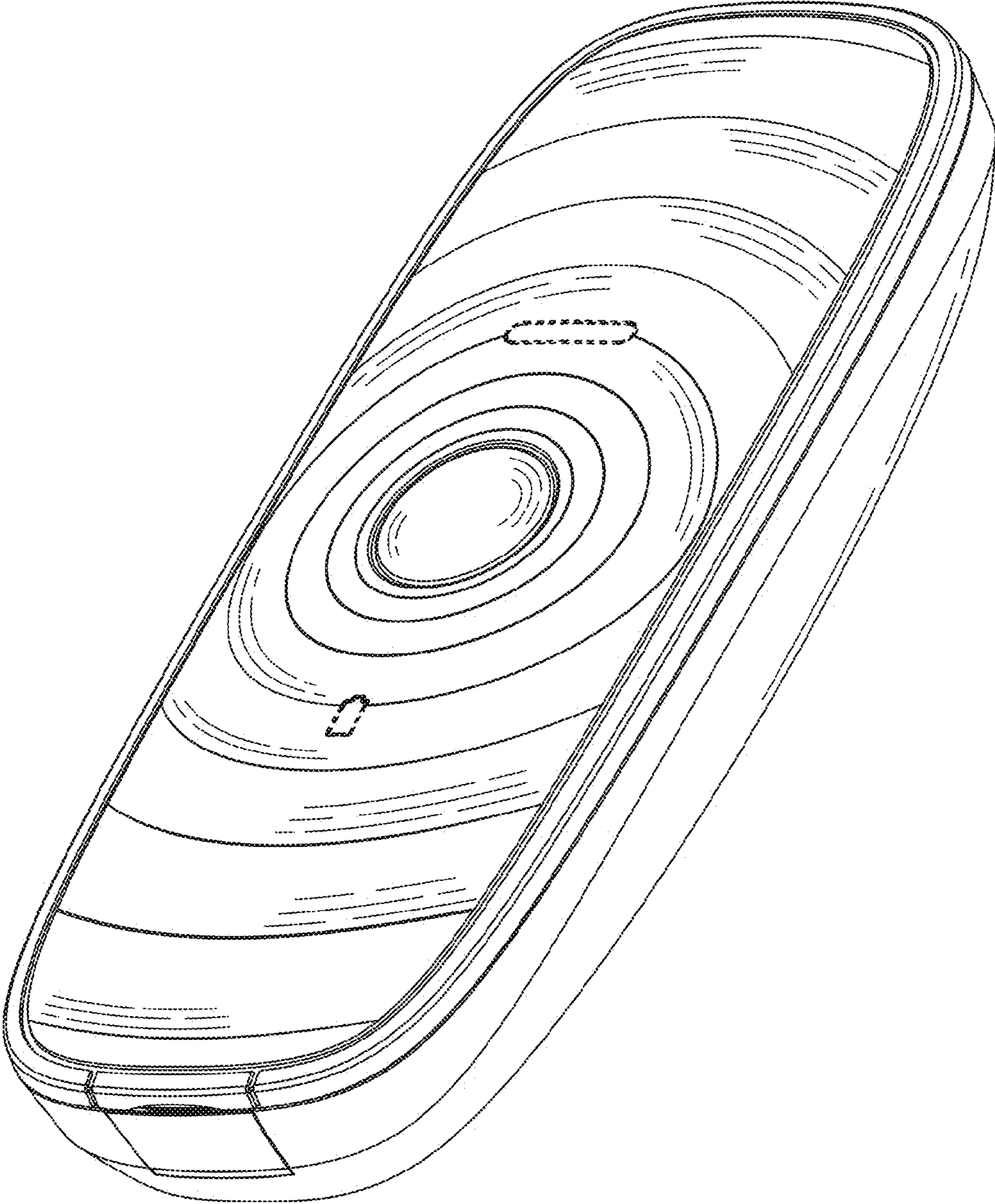


FIG. 1

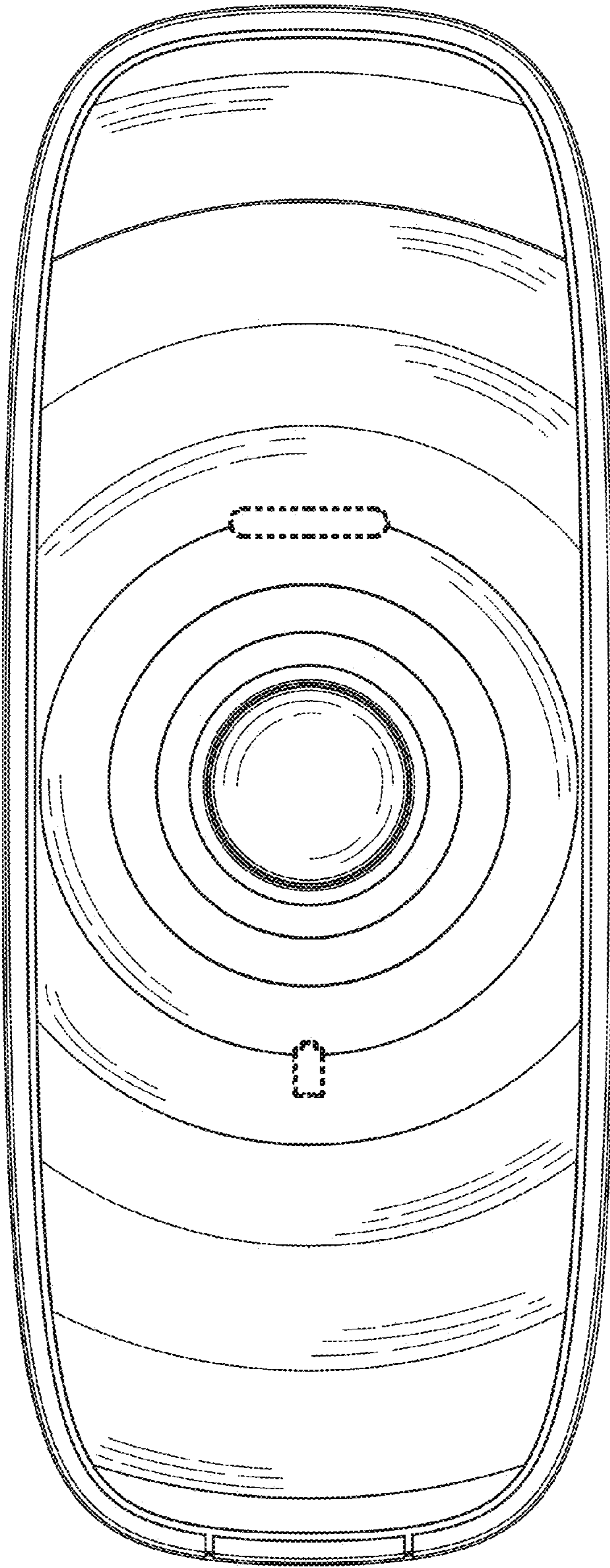


FIG. 2

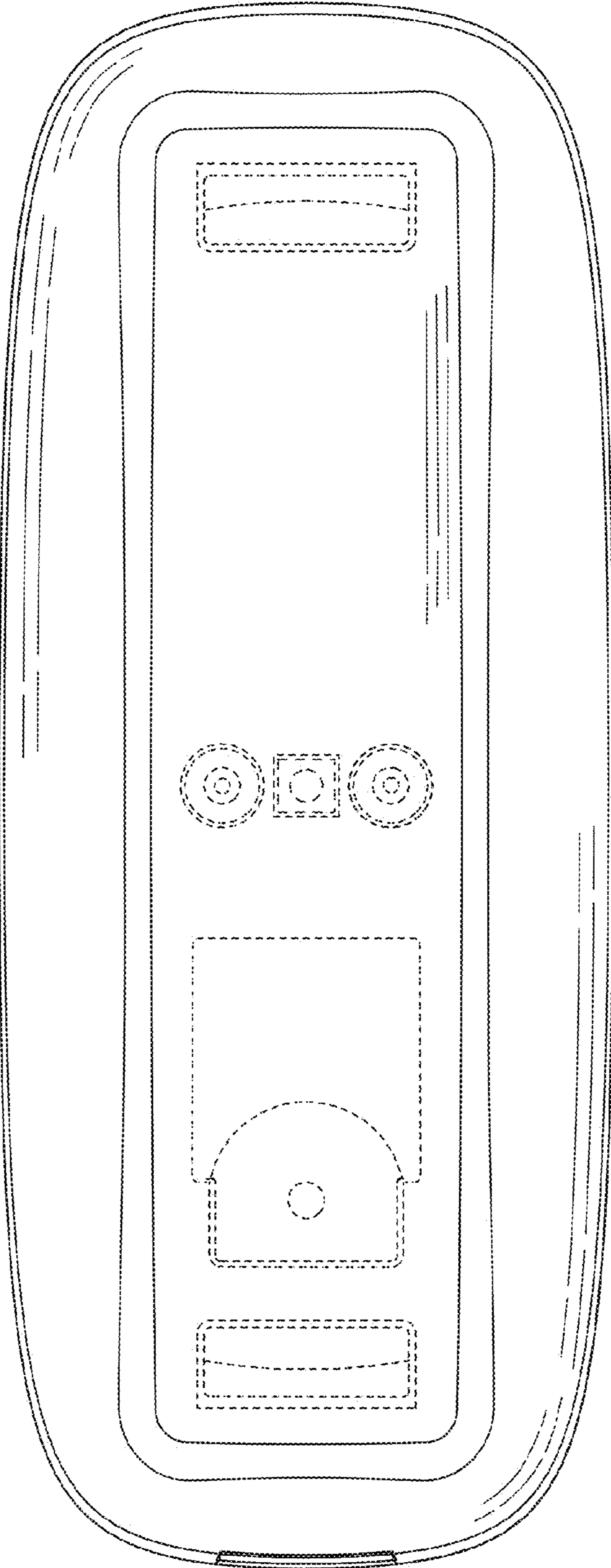


FIG. 3

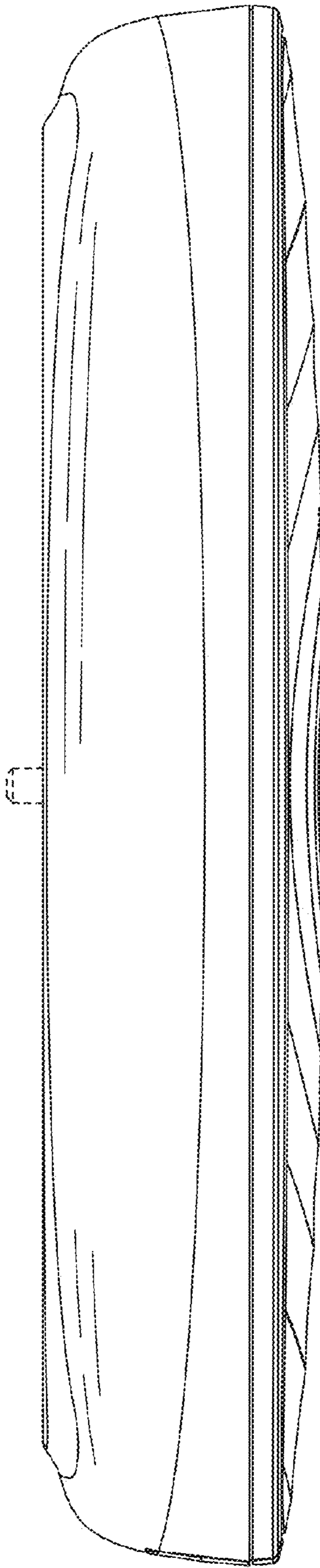


FIG. 4

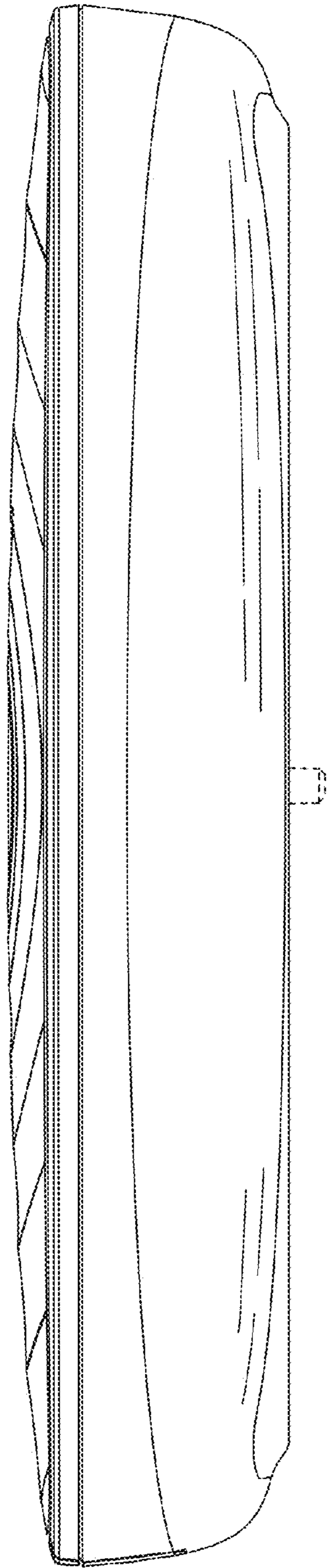


FIG. 5

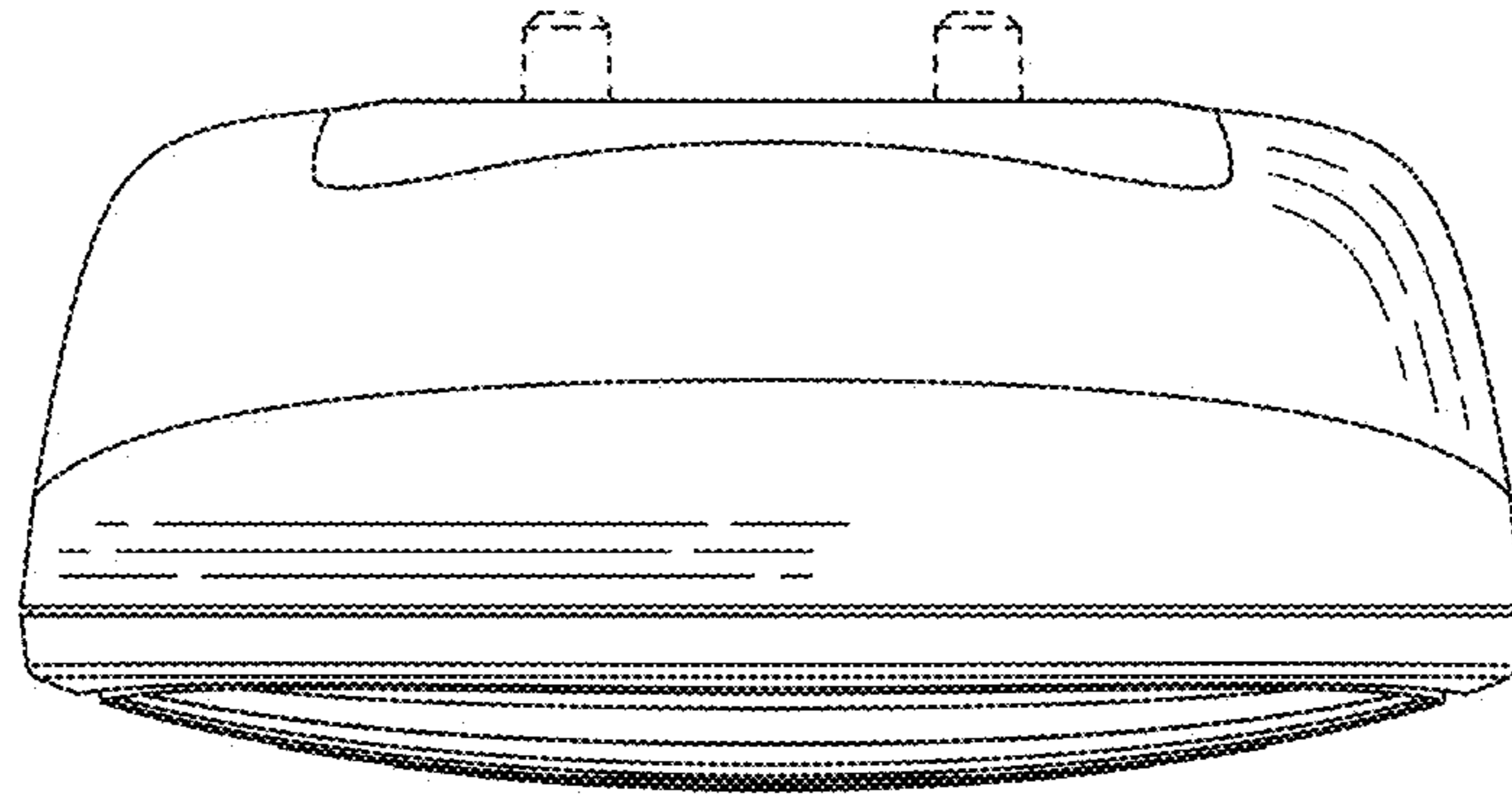


FIG. 6

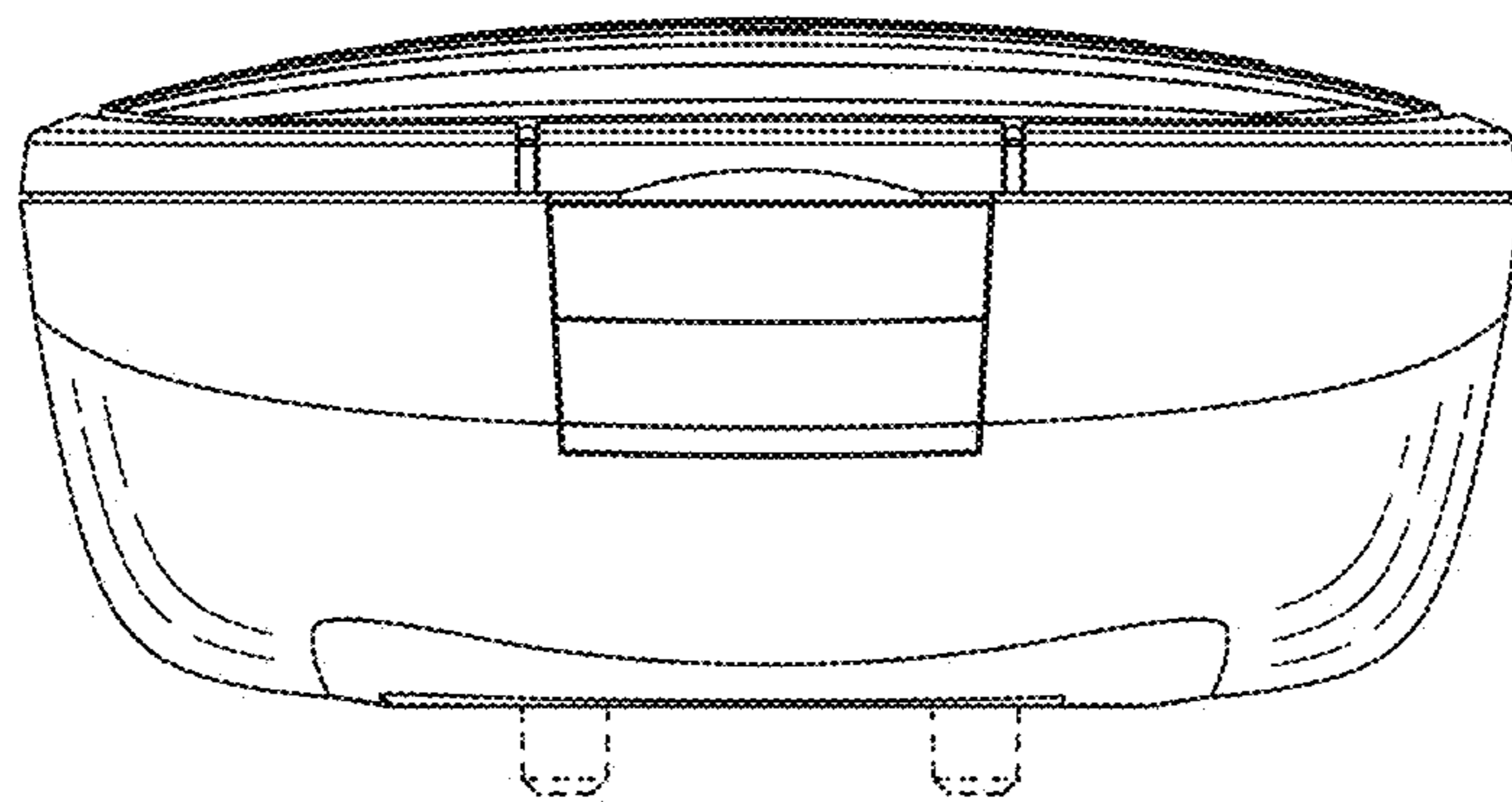


FIG. 7

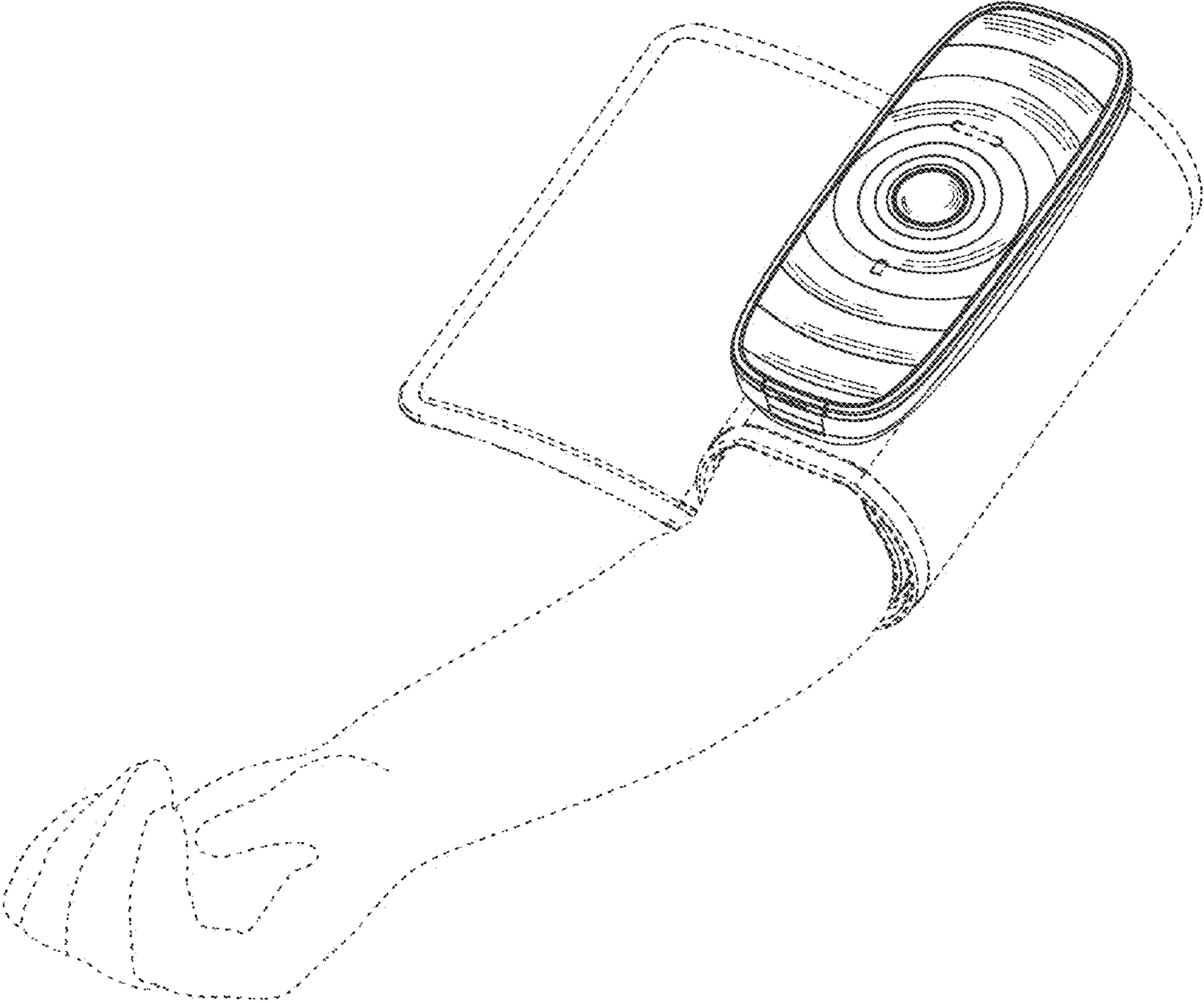


FIG. 8