



US00D755972S

(12) **United States Design Patent**
Steward, Jr. et al.

(10) **Patent No.:** **US D755,972 S**
(45) **Date of Patent:** **** May 10, 2016**

(54) **HOLDER FOR DIGITAL DENTAL X-RAY SENSOR**

(71) Applicants: **Curtis L. Steward, Jr.**, Sandwich, IL (US); **Sean V. Ciesielka**, Belvidere, IL (US)

(72) Inventors: **Curtis L. Steward, Jr.**, Sandwich, IL (US); **Sean V. Ciesielka**, Belvidere, IL (US)

(73) Assignee: **DENTSPLY International Inc.**, York, PA (US)

(**) Term: **14 Years**

(21) Appl. No.: **29/476,274**

(22) Filed: **Dec. 12, 2013**

(51) **LOC (10) Cl.** **24-01**

(52) **U.S. Cl.**
USPC **D24/161**

(58) **Field of Classification Search**
USPC D24/158-161, 185, 186, 152, 176, 177;
378/38, 39, 167, 168, 170, 177, 180,
378/191, 205, 208; 433/27, 29
See application file for complete search history.

(56) **References Cited**

U.S. PATENT DOCUMENTS

2,253,282	A	4/1940	Medalie	
6,343,875	B1	2/2002	Eppinger et al.	
6,461,038	B2	10/2002	Pellegrini et al.	
6,881,958	B2 *	4/2005	Winters	378/168
6,974,253	B2	12/2005	Ihalainen	
D698,022	S *	1/2014	Flanagan	D24/161
D711,540	S *	8/2014	Steward, Jr.	D24/161
2002/0076001	A1	6/2002	Pellegrini et al.	
2004/0170253	A1	9/2004	Landis et al.	
2008/0025467	A1	1/2008	Diederich	
2011/0299663	A1	12/2011	Steward, Jr.	
2013/0089185	A1 *	4/2013	Winters et al.	378/170

FOREIGN PATENT DOCUMENTS

DE	102007012197	A1	9/2008
EP	1696264	A1	8/2006
WO	0163357	A1	8/2001
WO	2007025015	A2	3/2007
WO	2007061865	A1	5/2007
WO	2010138684	A1	12/2010

OTHER PUBLICATIONS

International Search Report, Application No. 2010/036344, Published May 27, 2010.

International Written Opinion, Application No. 2010/036344, Published May 27, 2010.

* cited by examiner

Primary Examiner — Anhdao Doan

(74) *Attorney, Agent, or Firm* — Douglas J. Hura; Leana Levin; David Zdurne

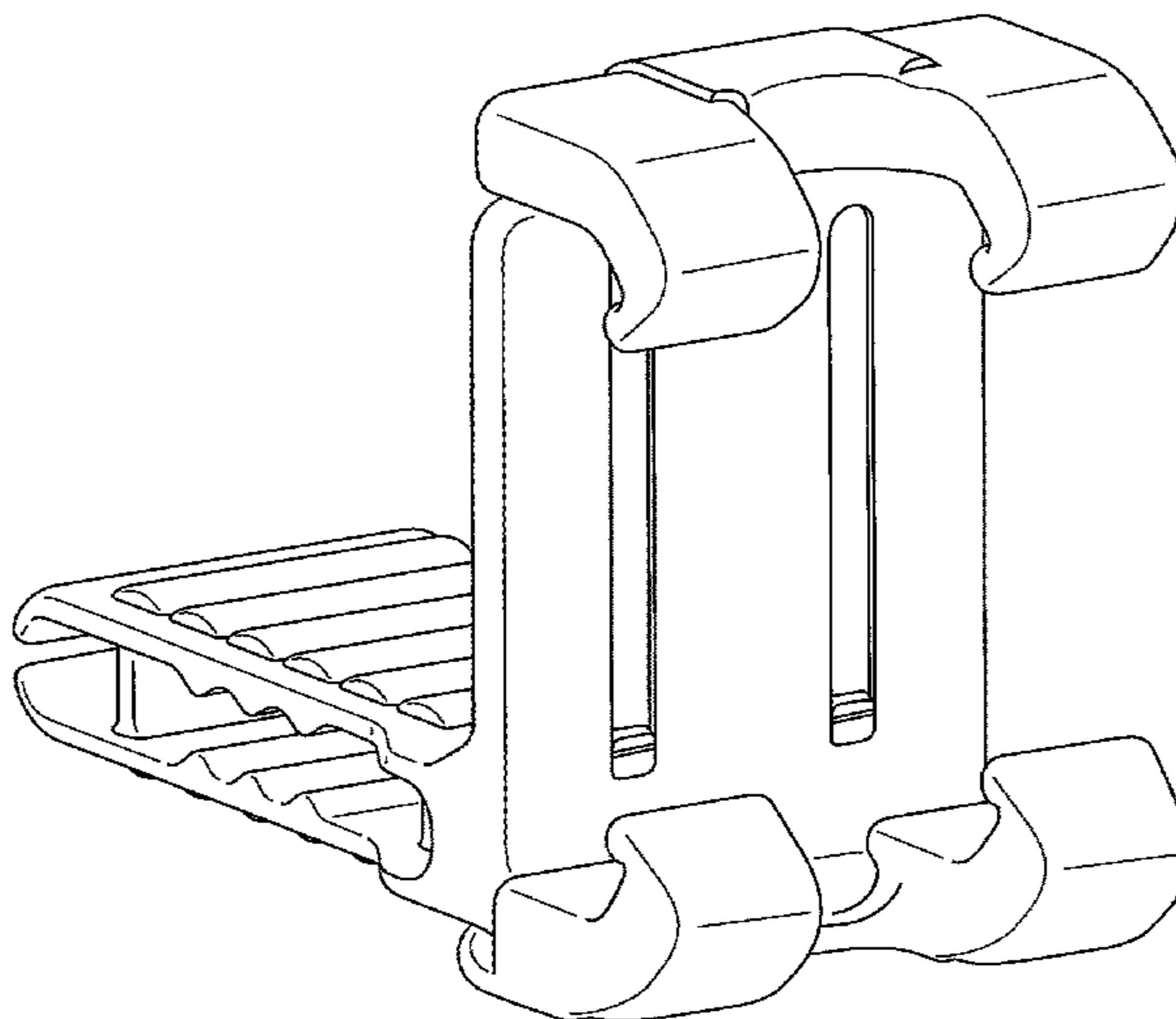
(57) **CLAIM**

The ornamental design for a holder for digital dental x-ray sensor, as shown and described.

DESCRIPTION

FIG. 1 is a front perspective view of a holder for digital dental x-ray sensor showing our new design; FIG. 2 is a rear perspective view thereof; FIG. 3 is a front elevational view thereof; FIG. 4 is a rear elevational view thereof; FIG. 5 is a side elevational view thereof; FIG. 6 is another side elevational view thereof; FIG. 7 is a top plan view thereof; and, FIG. 8 is a bottom plan view thereof. The broken lines in the drawings are included for the purpose of illustrating portions of the holder for digital x-ray sensor that form no part of the claimed design.

1 Claim, 8 Drawing Sheets



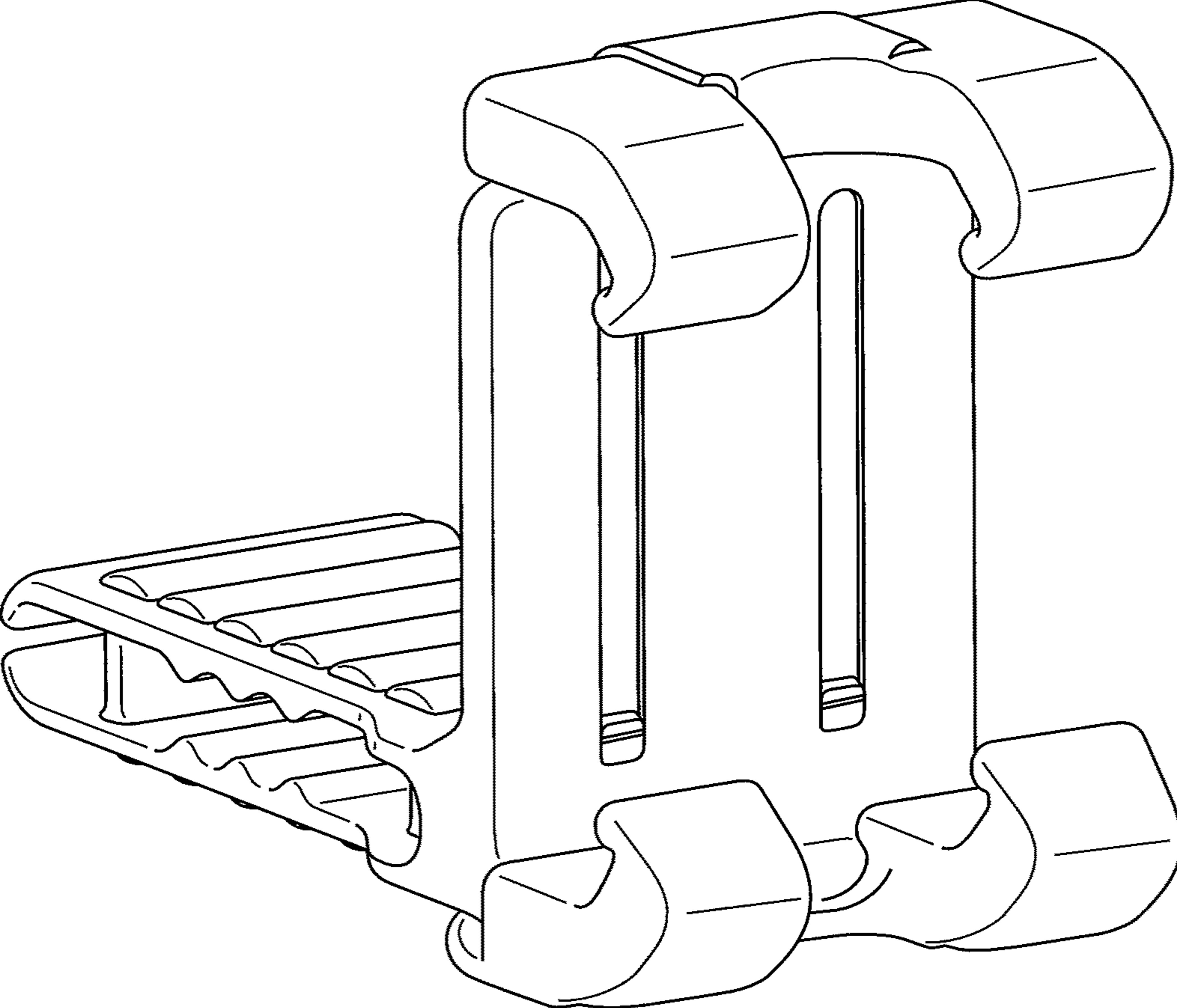


FIG. 1

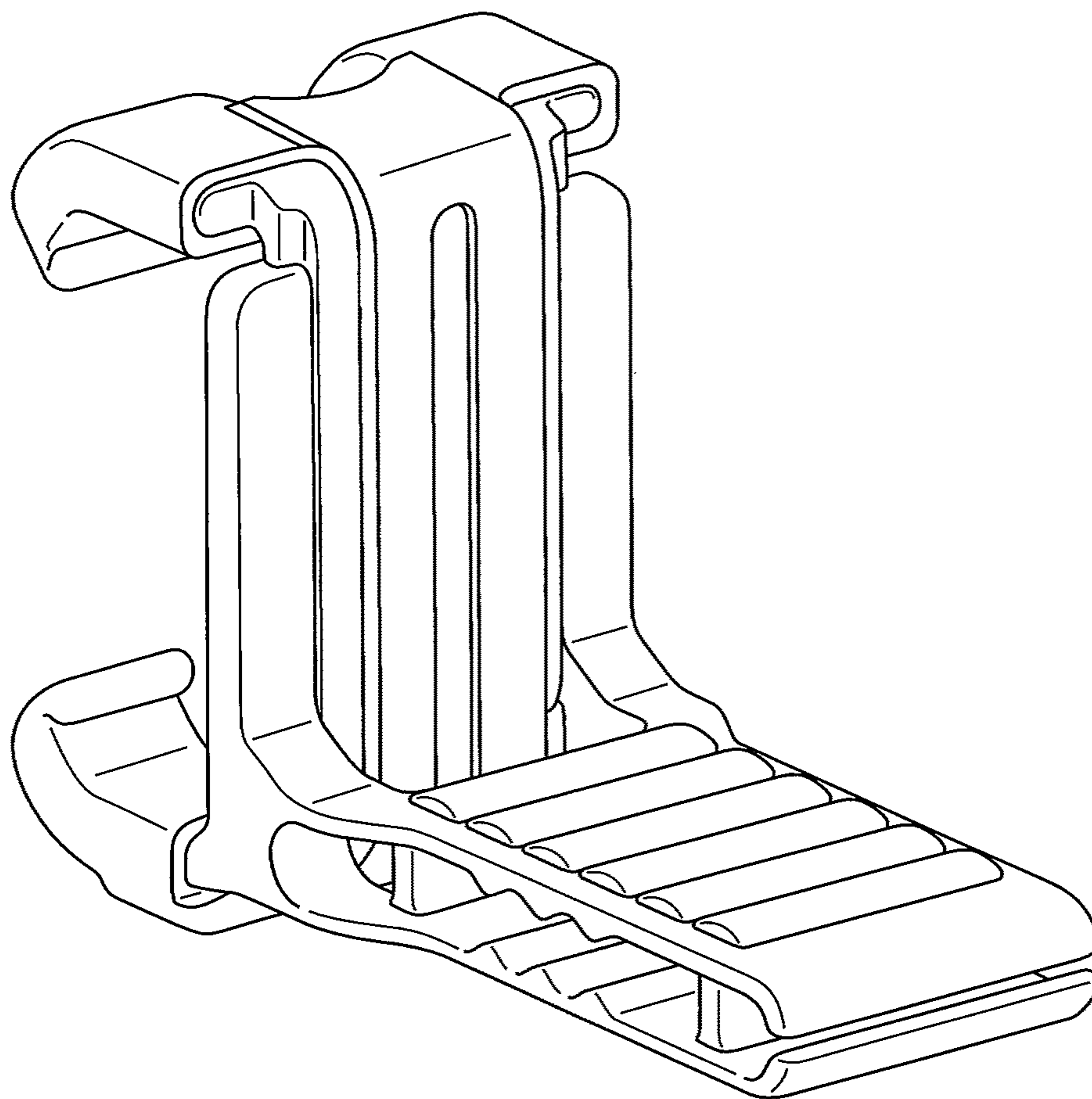


FIG. 2

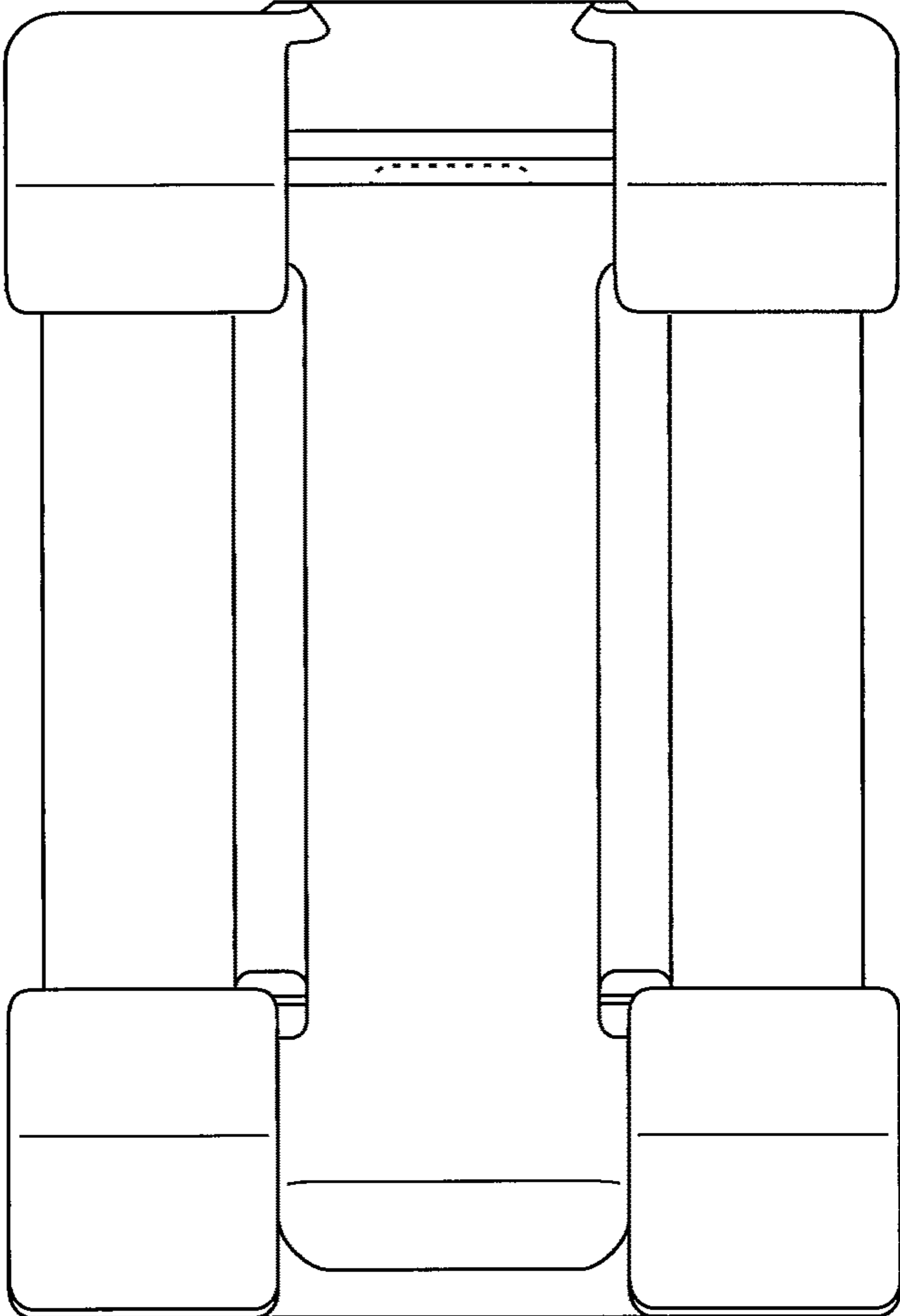


FIG. 3

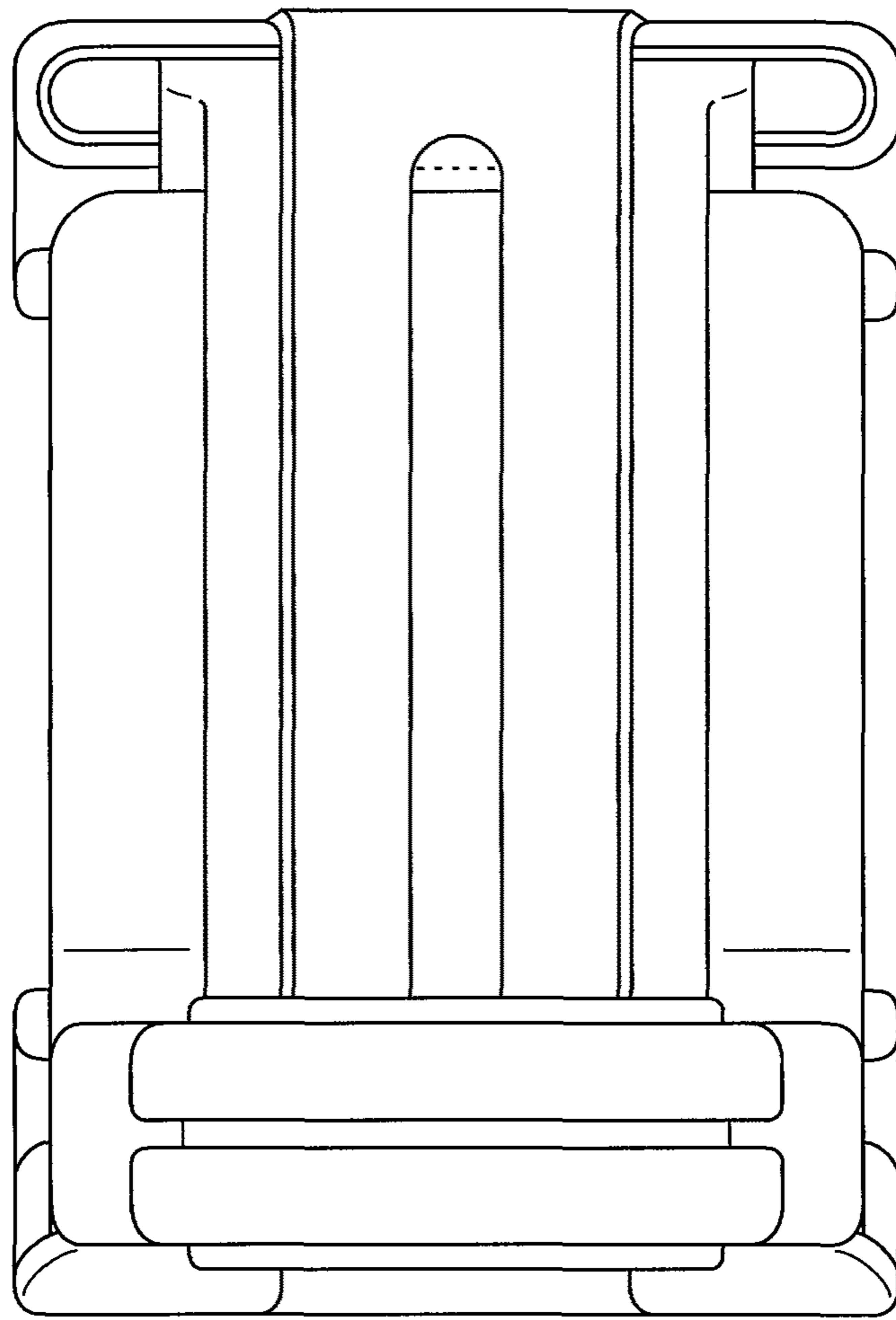


FIG. 4

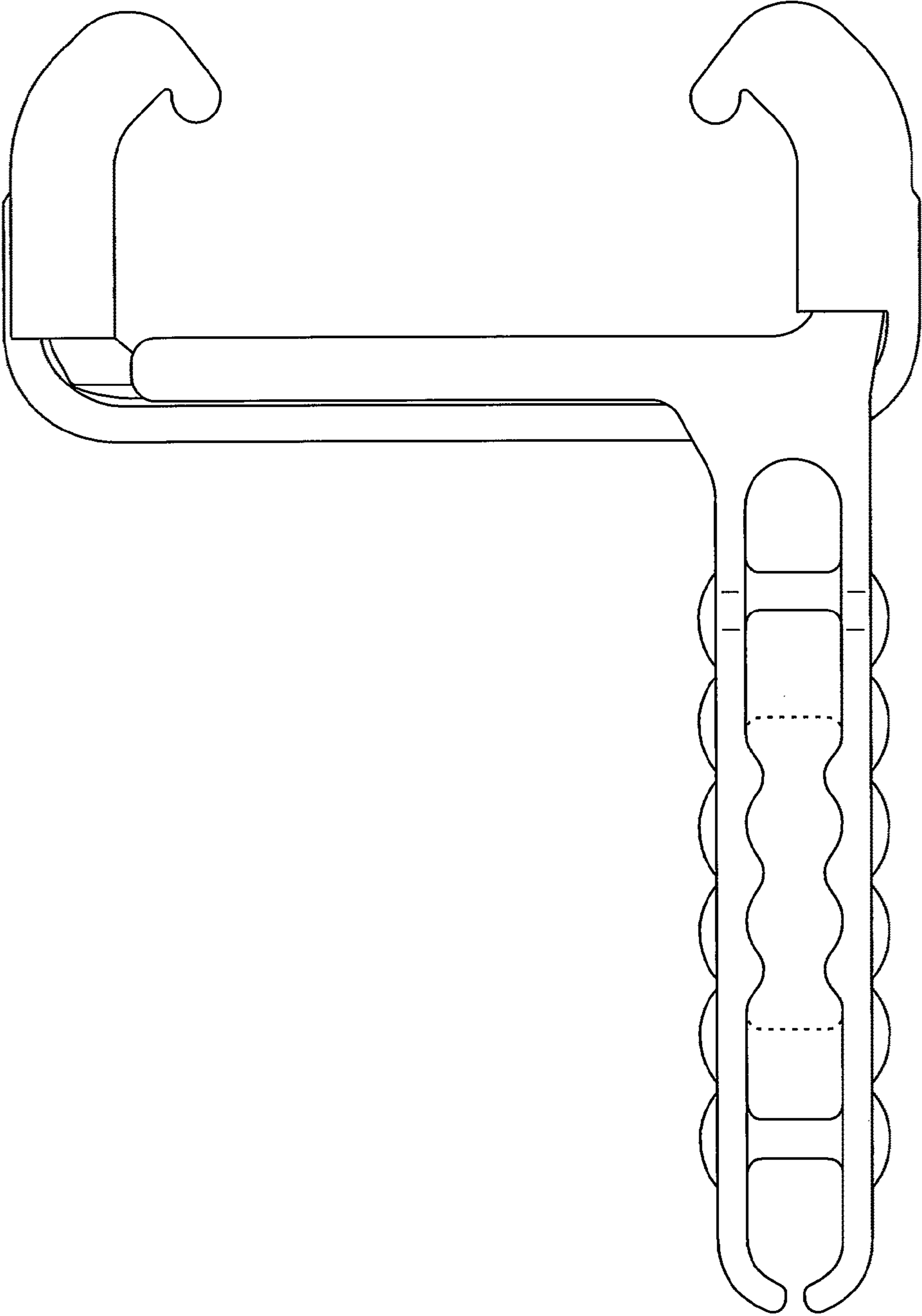


FIG. 5

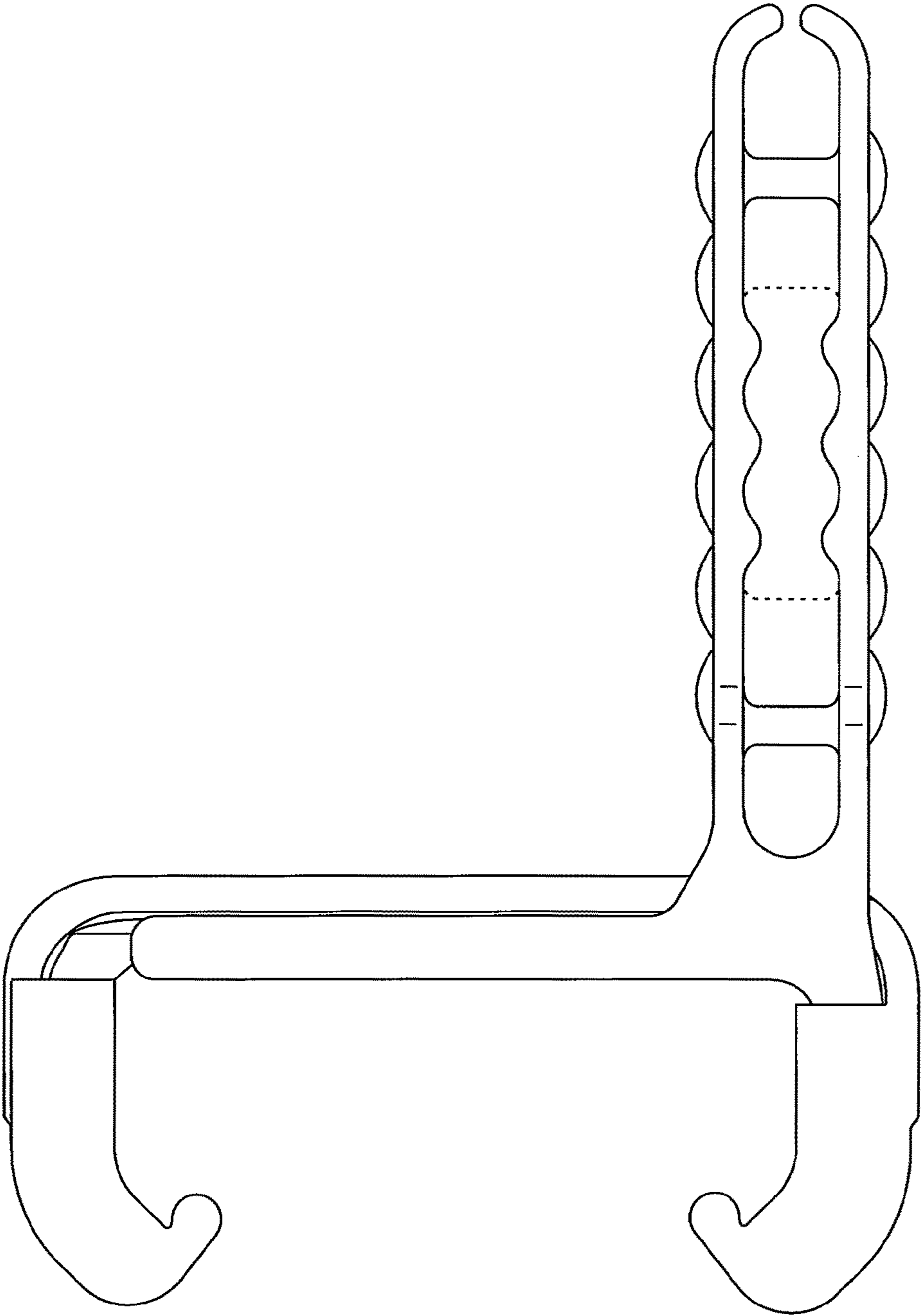


FIG. 6

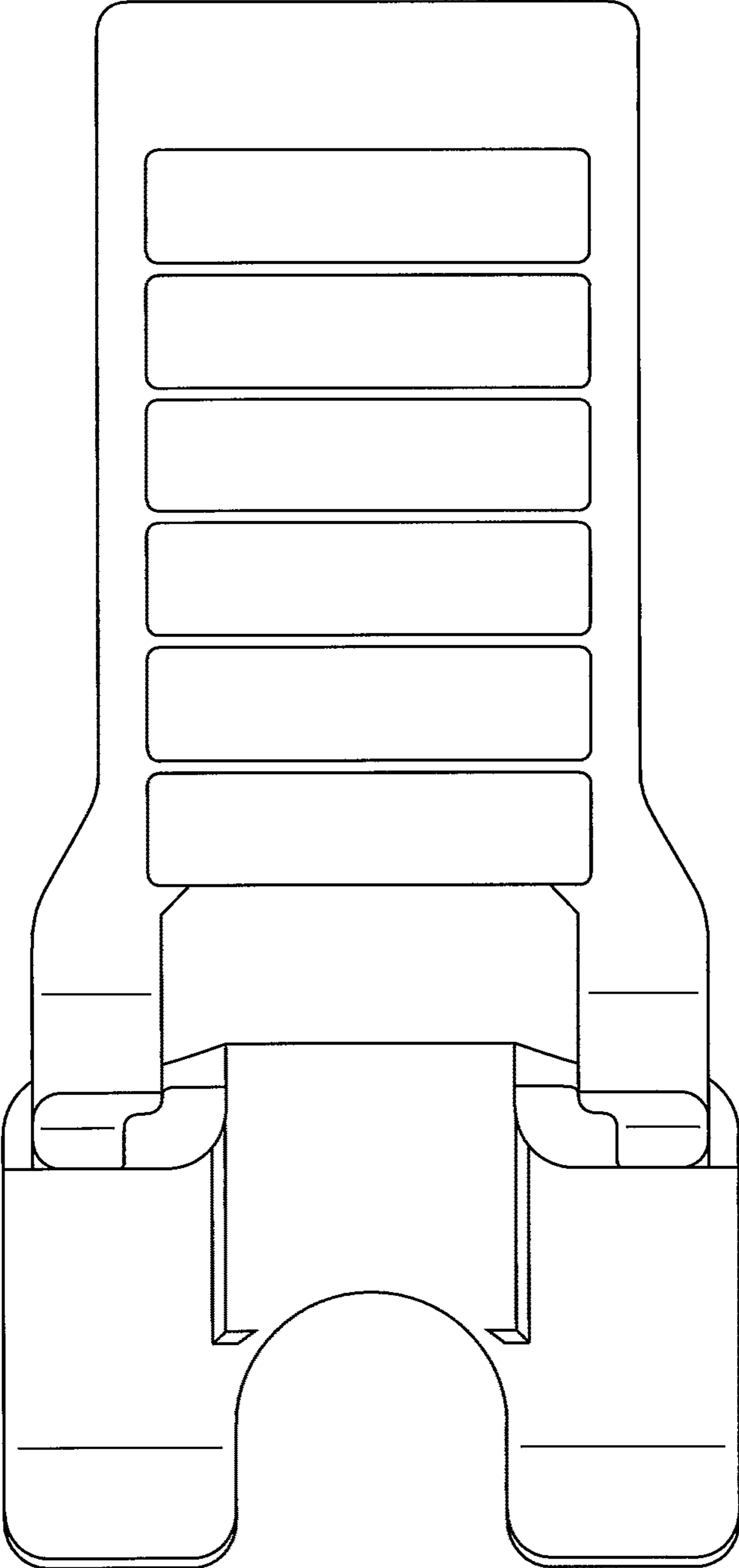


FIG. 7

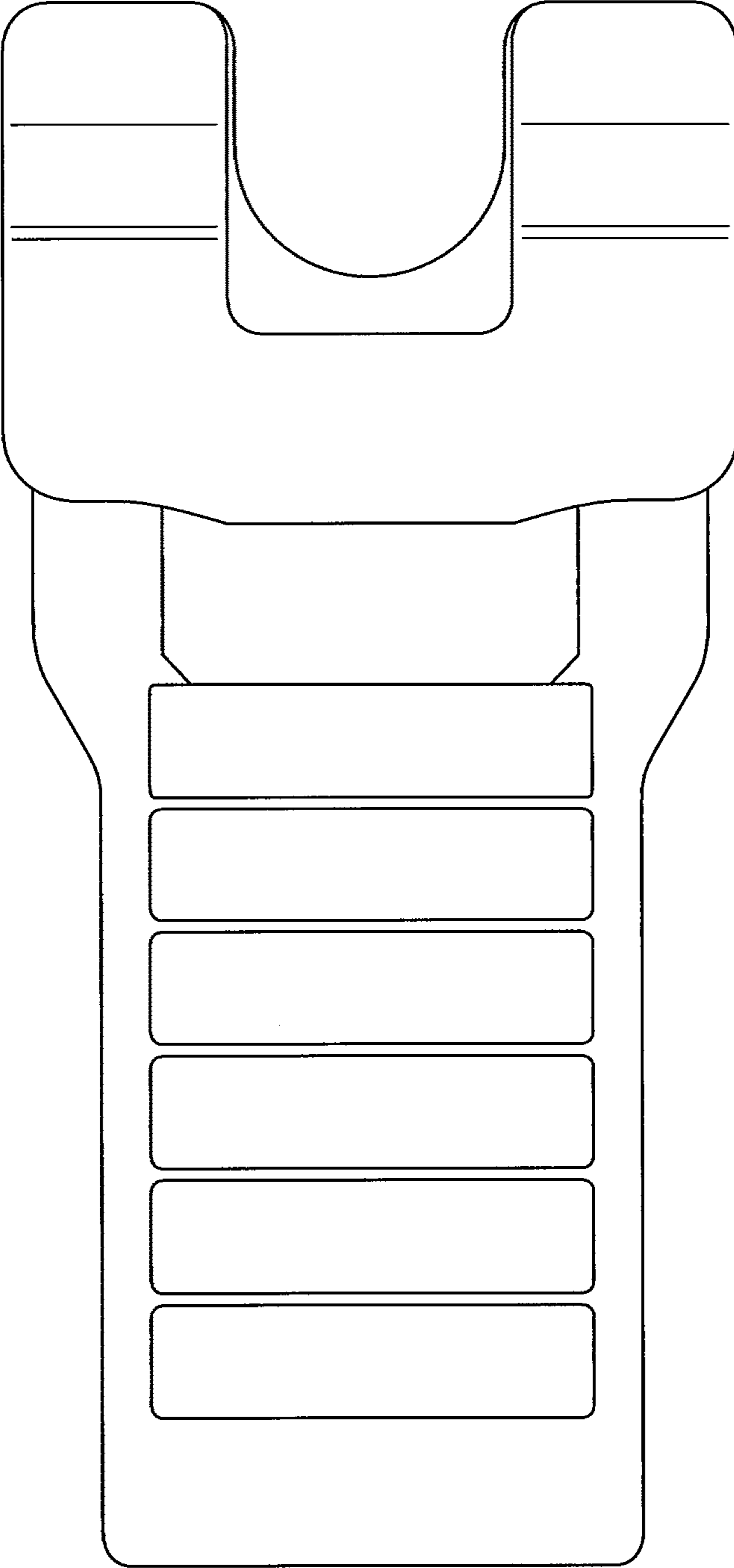


FIG. 8