



US00D755971S

(12) **United States Design Patent**
Dacus

(10) **Patent No.:** **US D755,971 S**

(45) **Date of Patent:** **** May 10, 2016**

(54) **FEMORAL COMPONENT**

(71) Applicant: **Total Joint Orthopedics, Inc.**, Salt Lake City, UT (US)

(72) Inventor: **Eric M. Dacus**, Salt Lake City, UT (US)

(73) Assignee: **Joint Development, LLC**, Salt Lake City, UT (US)

(**) Term: **14 Years**

(21) Appl. No.: **29/512,264**

(22) Filed: **Dec. 17, 2014**

Related U.S. Application Data

(63) Continuation of application No. 13/544,654, filed on Jul. 9, 2012.

(51) **LOC (10) Cl.** **24-02**

(52) **U.S. Cl.**

USPC **D24/155**

(58) **Field of Classification Search**

USPC D24/155

CPC A61F 2/3859; A61F 2/38; A61F 2/389;

A61F 2/3886; A61F 2310/00023

See application file for complete search history.

(56) **References Cited**

U.S. PATENT DOCUMENTS

4,353,135 A 10/1982 Forte et al.

4,659,331 A * 4/1987 Matthews A61F 2/30771
623/20.21

D291,003 S * 7/1987 Huckstep D24/155
4,944,756 A 7/1990 Kenna
5,330,532 A 7/1994 Ranawat
D374,078 S * 9/1996 Johnson D24/155
D473,307 S * 4/2003 Cooke D24/155
D625,415 S * 10/2010 Otto D24/155
D649,639 S * 11/2011 Bertoni D24/140
D661,808 S * 6/2012 Kang D24/155
8,715,359 B2 * 5/2014 Deffenbaugh A61F 2/389
623/20.14

* cited by examiner

Primary Examiner — Susan Bennett Hattan

Assistant Examiner — Charles Hanson

(74) *Attorney, Agent, or Firm* — Lowry Blixseth LLP; Scott M. Lowry

(57) **CLAIM**

The ornamental design for a femoral component, as shown and described.

DESCRIPTION

FIG. 1 is a perspective view showing the front, top and left sides of the femoral component;

FIG. 2 is a front elevation view of the femoral component;

FIG. 3 is a left side elevation view of the femoral component, the right side elevation view being a mirror image thereof;

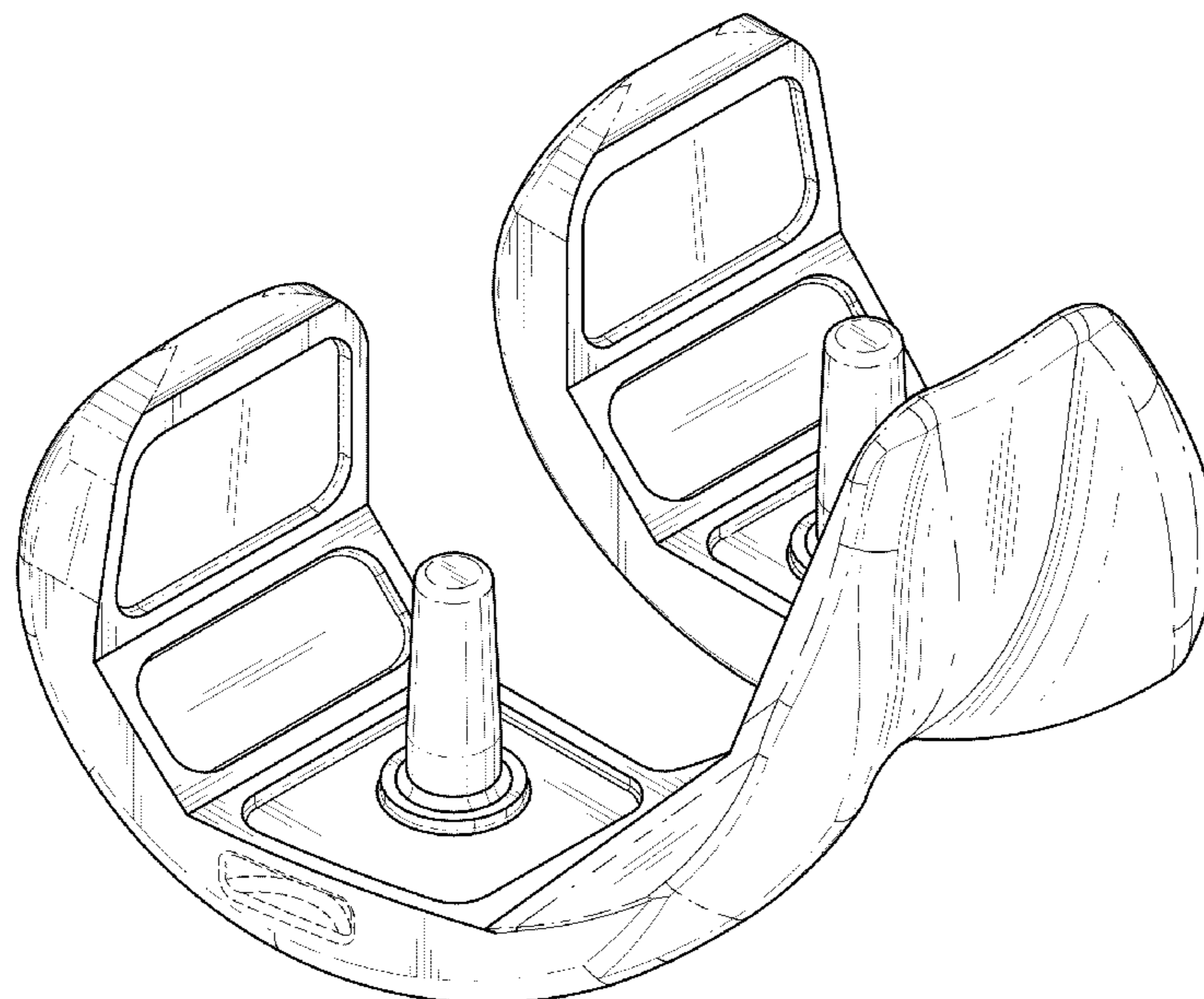
FIG. 4 is a rear elevation view of the femoral component;

FIG. 5 is a top plan view of the femoral component; and,

FIG. 6 is a bottom plan view of the femoral component.

The broken line showing is included for the purpose of illustrating portions of the femoral component that form no part of the claimed design.

1 Claim, 6 Drawing Sheets



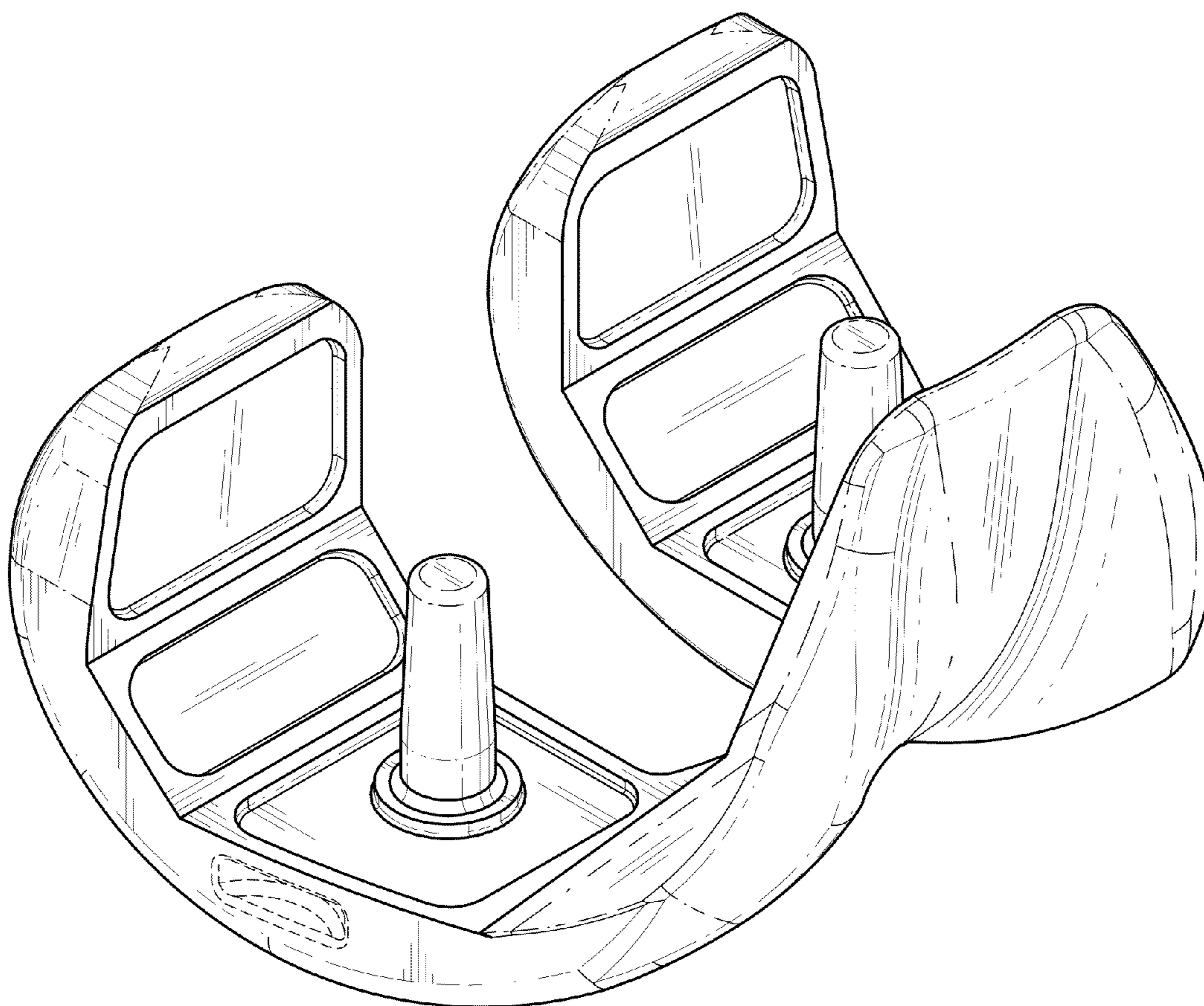


FIG. 1

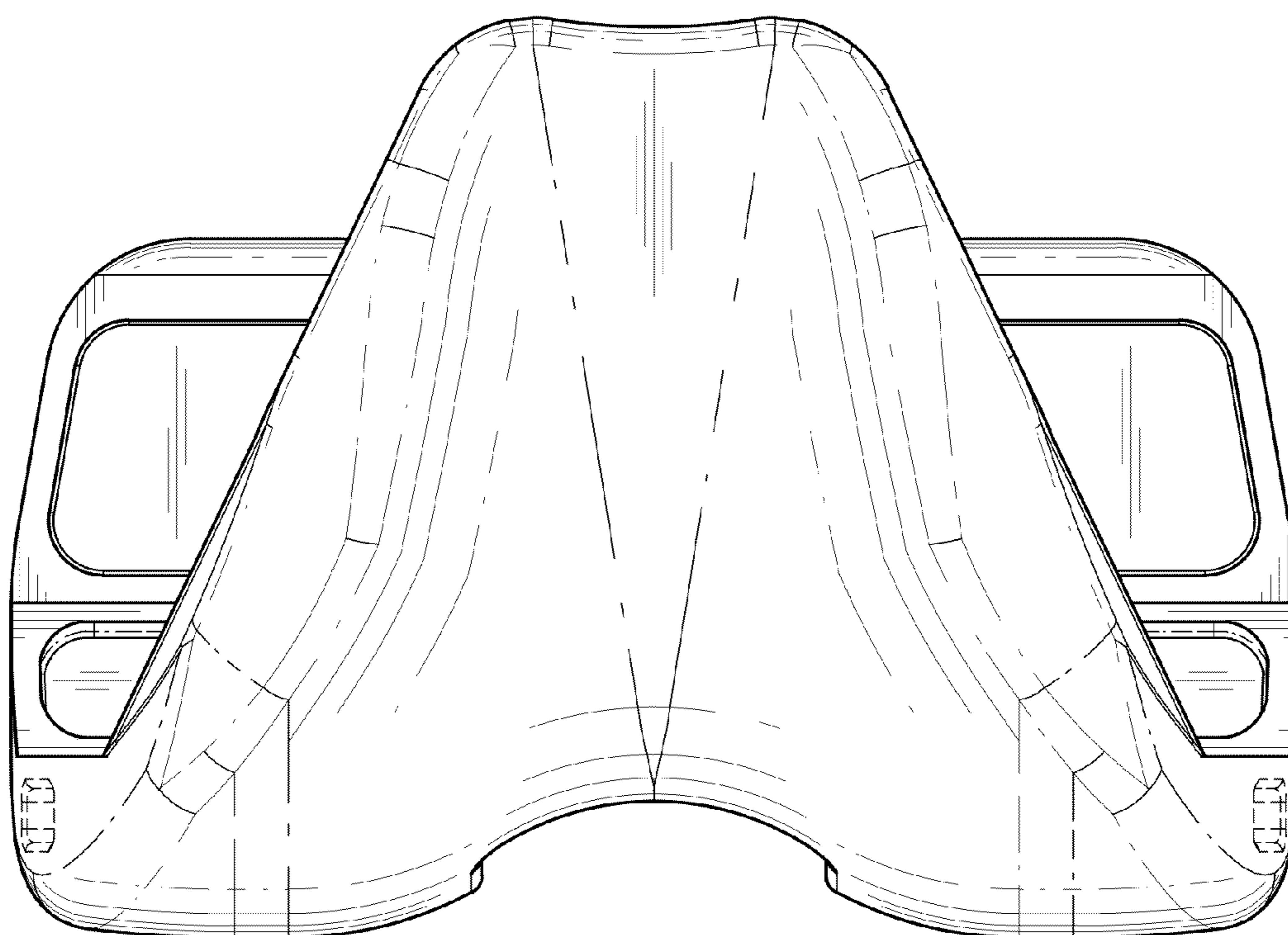


FIG. 2

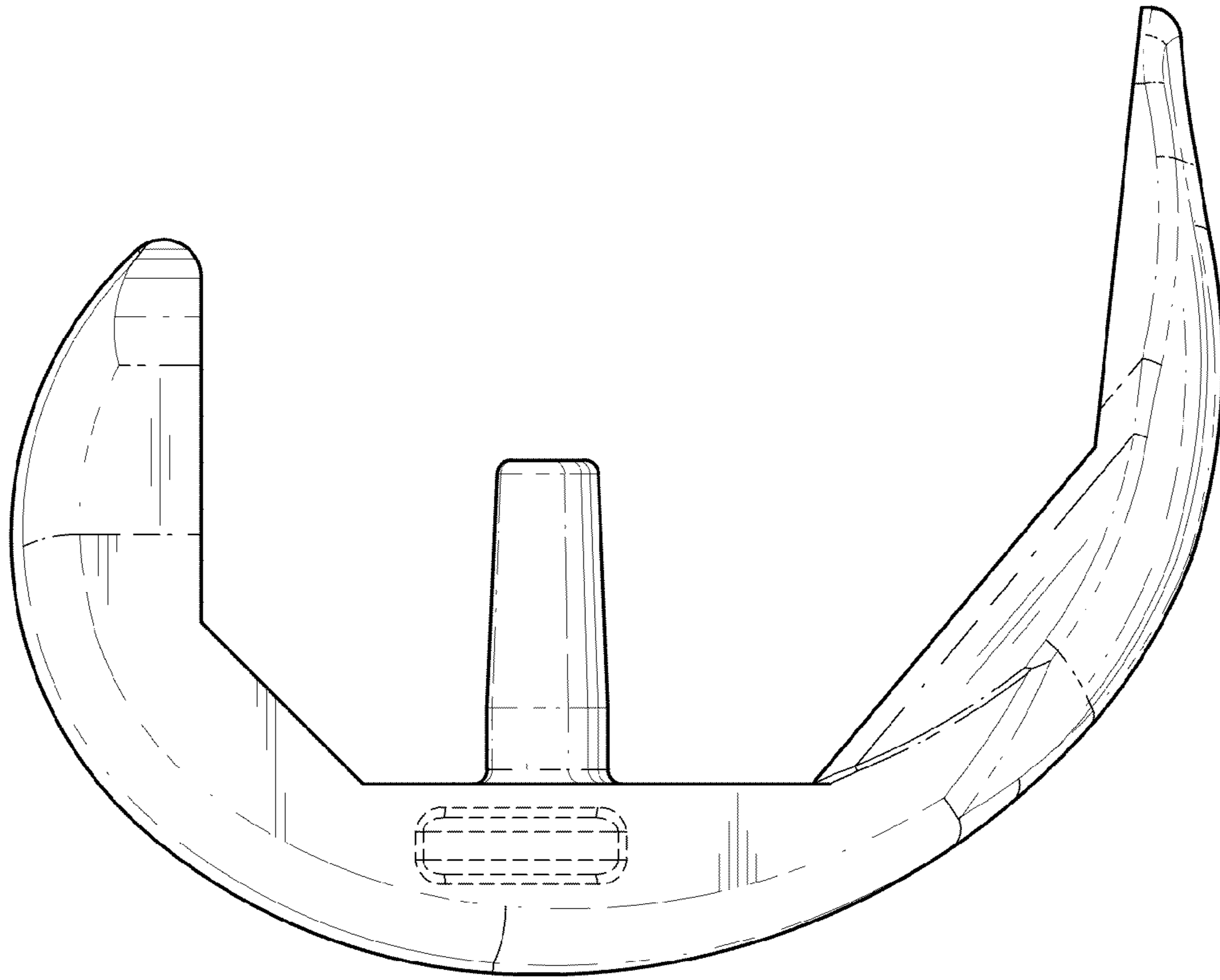


FIG. 3

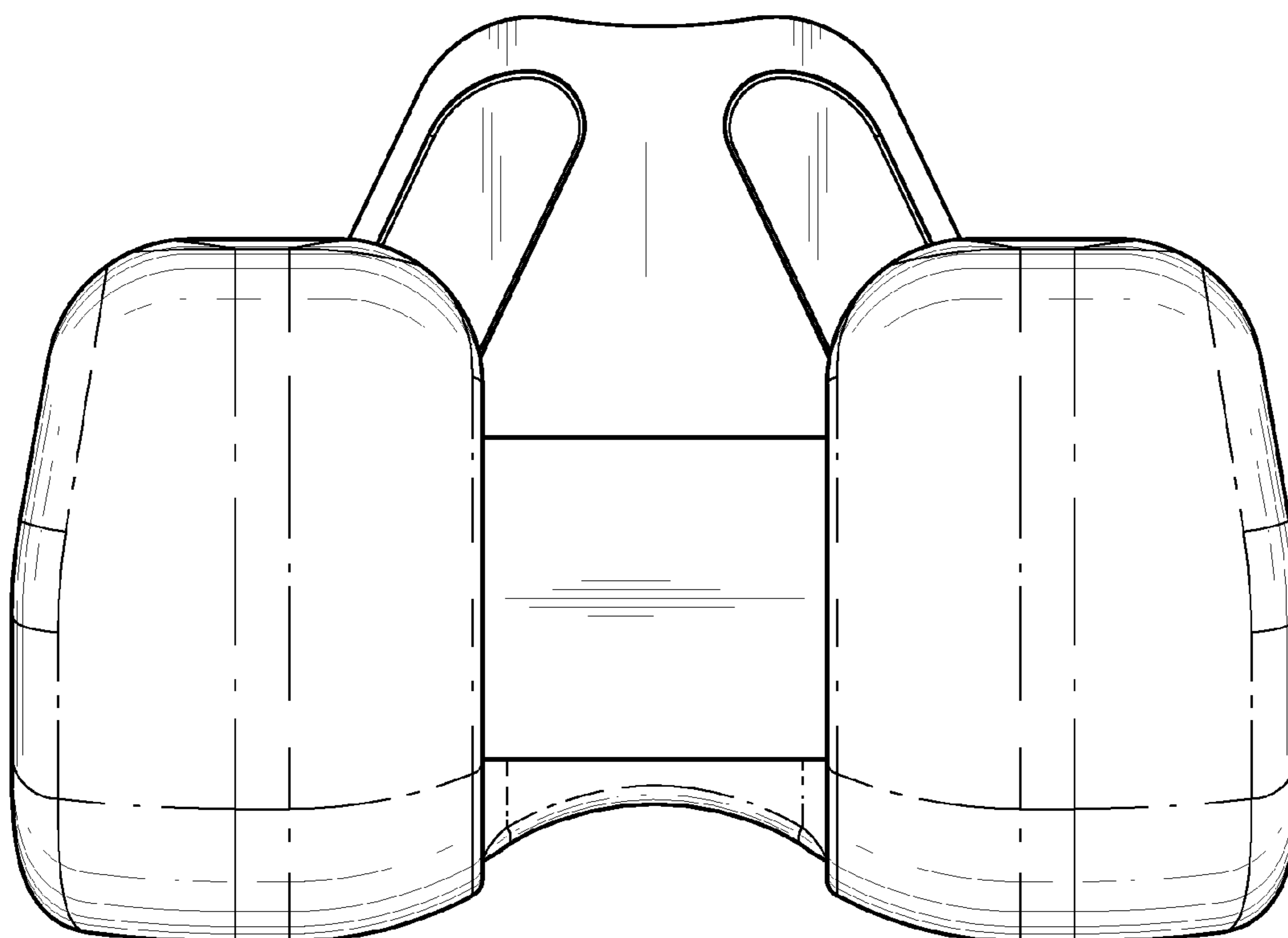


FIG. 4

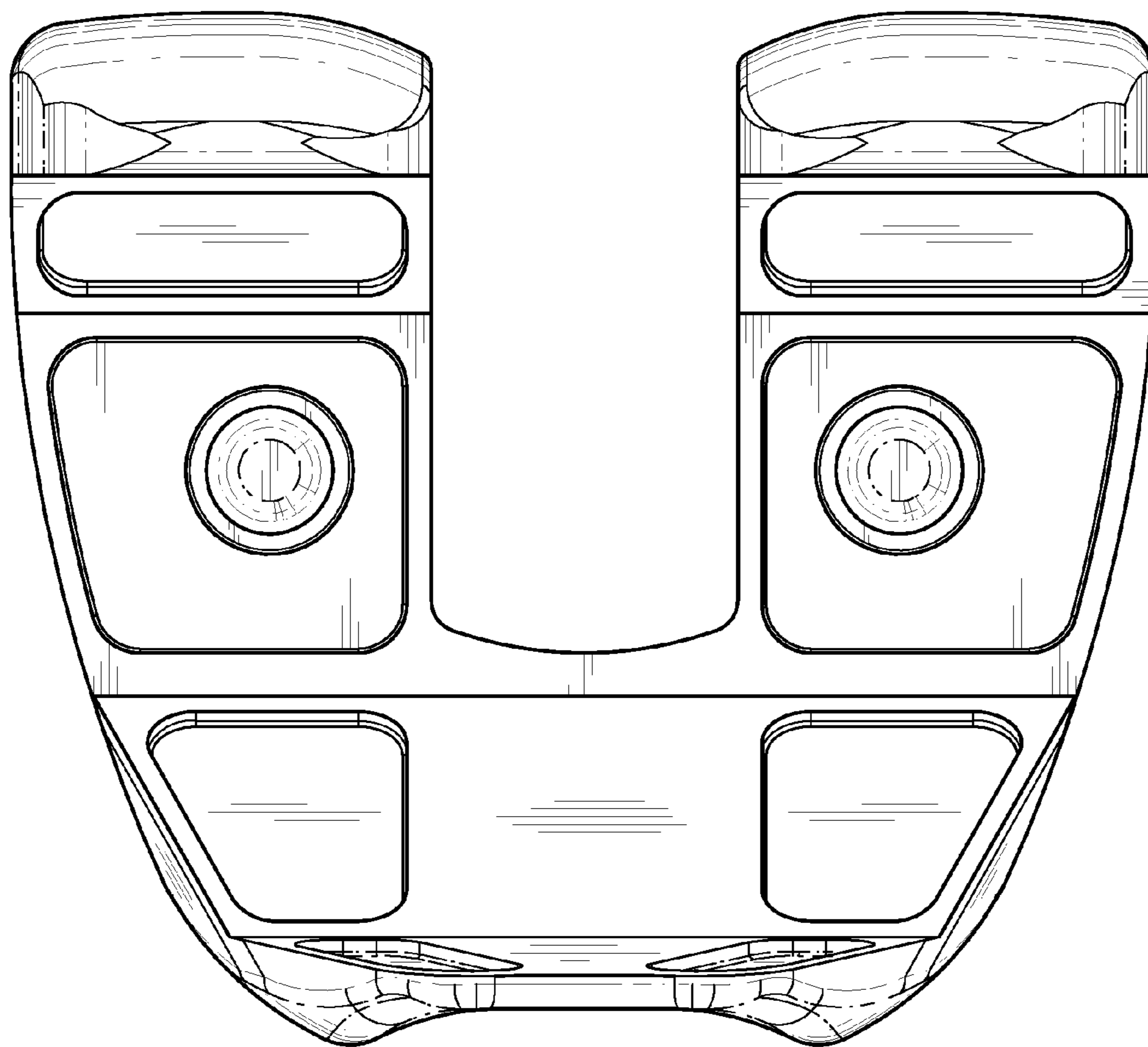


FIG. 5

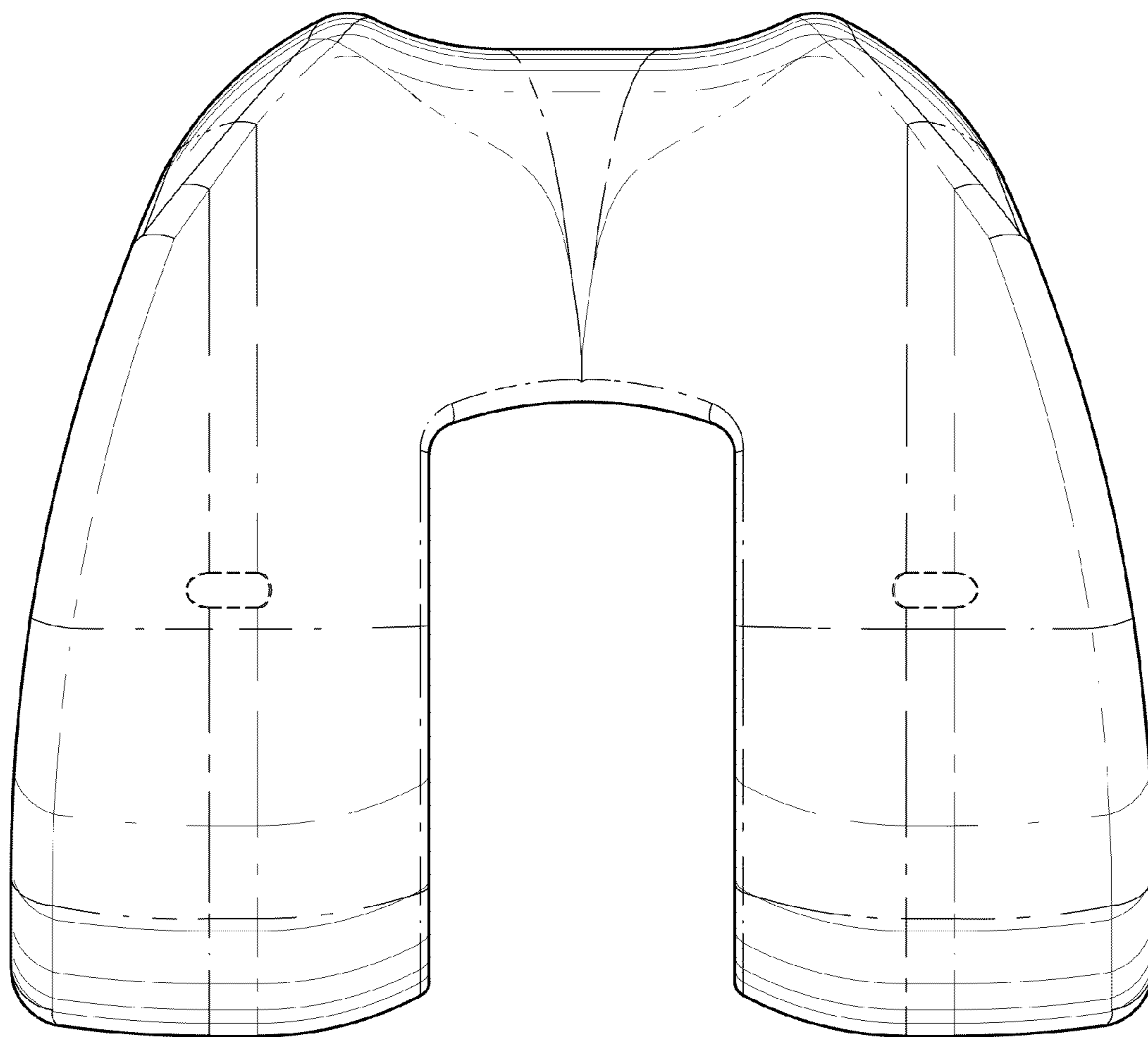


FIG. 6