



US00D755969S

(12) **United States Design Patent**
Gitman

(10) **Patent No.:** **US D755,969 S**

(45) **Date of Patent:** **** May 10, 2016**

(54) **SCALPEL TIP**

(71) Applicant: **Eliyahu Gitman**, Jerusalem (IL)

(72) Inventor: **Eliyahu Gitman**, Jerusalem (IL)

(73) Assignee: **SCALPAL LLC**, Jerusalem (IL)

(**) Term: **14 Years**

(21) Appl. No.: **29/450,861**

(22) Filed: **Mar. 25, 2013**

(30) **Foreign Application Priority Data**

Sep. 24, 2012 (IL) 53214

Nov. 8, 2012 (IL) 53377

(51) **LOC (10) Cl.** **24-02**

(52) **U.S. Cl.**
USPC **D24/146**

(58) **Field of Classification Search**

USPC D7/649; D8/6, 7, 29.1, 92, 93, 95, 97,
D8/98, 99; D19/110, 115; D24/145, 146,
D24/147; 30/151, 162, 338, 339; 606/79,
606/82, 167, 168, 169, 171, 176
CPC A61B 17/1671; A61B 17/14; A61B
17/3211; A61B 17/320758; A61B 17/320092;
A61B 17/141; A61F 9/00763

See application file for complete search history.

(56) **References Cited**

U.S. PATENT DOCUMENTS

4,825,545	A *	5/1989	Chase et al.	30/153
D341,567	S *	11/1993	Acker et al.	D13/110
5,676,677	A *	10/1997	Landis et al.	606/167
5,792,162	A *	8/1998	Jolly et al.	606/167
5,938,675	A *	8/1999	Gharibian	606/167
D473,649	S *	4/2003	Howell et al.	D24/147
D500,657	S *	1/2005	Scimone	D8/98
D535,026	S *	1/2007	Griffin et al.	D24/146
D624,384	S *	9/2010	Su	D8/89
2002/0143352	A1 *	10/2002	Newman et al.	606/167
2006/0100650	A1 *	5/2006	Kiehne	606/167
2010/0251858	A1 *	10/2010	Huang	81/60
2012/0210584	A1 *	8/2012	Logan	30/153

* cited by examiner

Primary Examiner — Robert M Spear

Assistant Examiner — Marissa J Cash

(74) *Attorney, Agent, or Firm* — Pearl Cohen Zedek Latzer Baratz LLP

(57) **CLAIM**

The ornamental design for scalpel tip, as shown.

DESCRIPTION

FIG. 1 is a perspective view of a scalpel tip showing my new design;

FIG. 2 is a left view thereof;

FIG. 3 is a right view thereof;

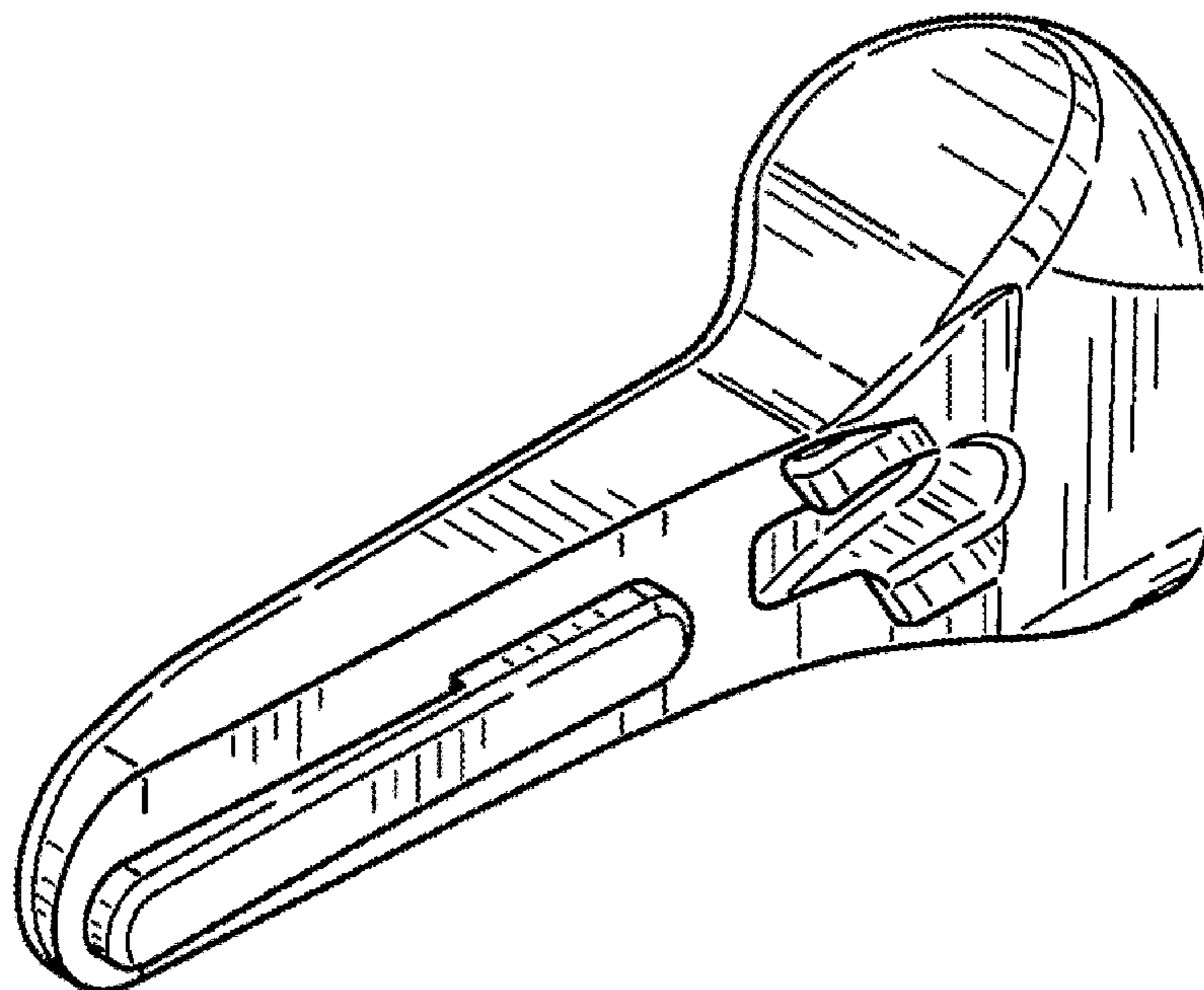
FIG. 4 is a front view thereof;

FIG. 5 is a back view thereof

FIG. 6 is a top view thereof; and,

FIG. 7 is a bottom view thereof.

1 Claim, 4 Drawing Sheets



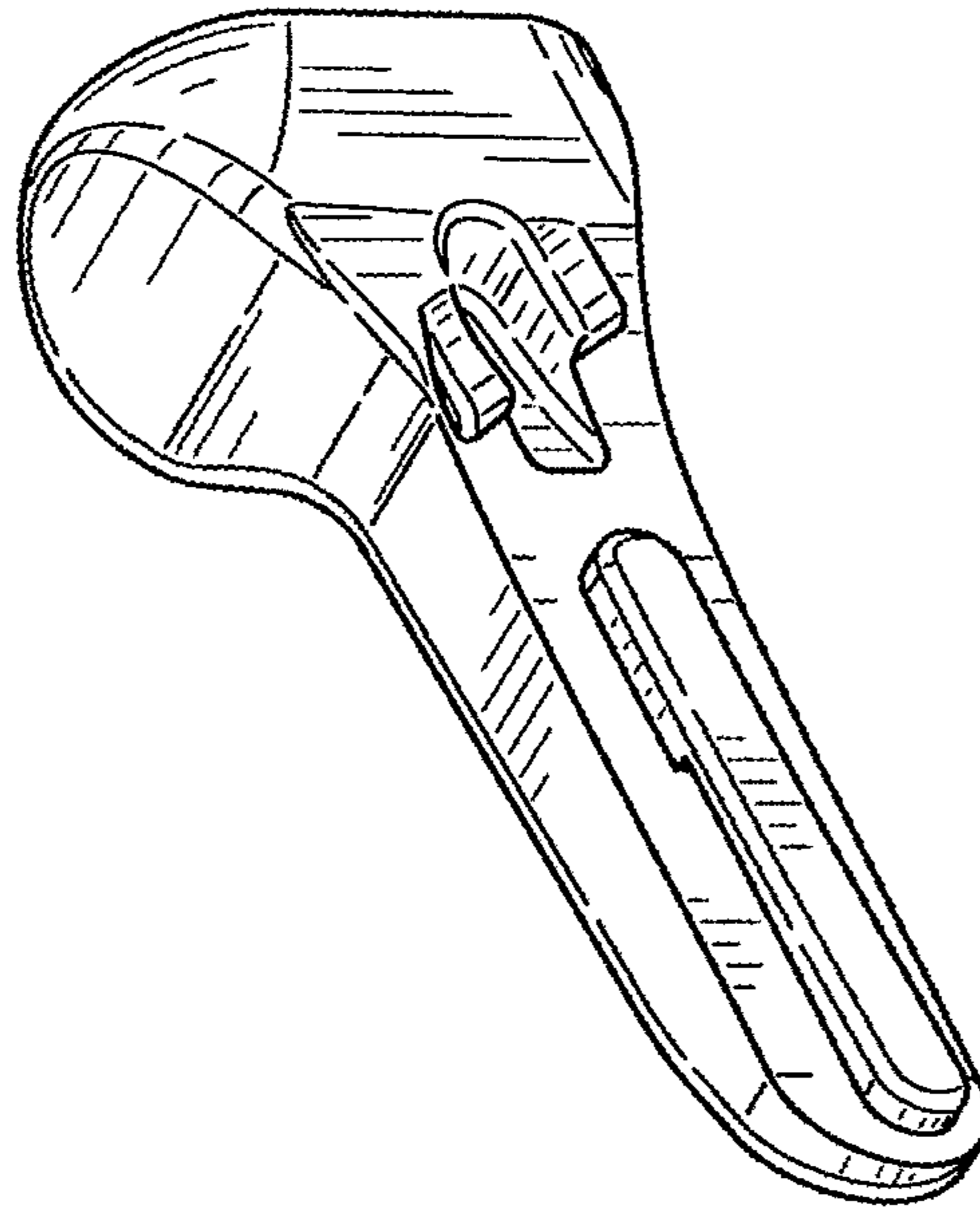


FIG. 1

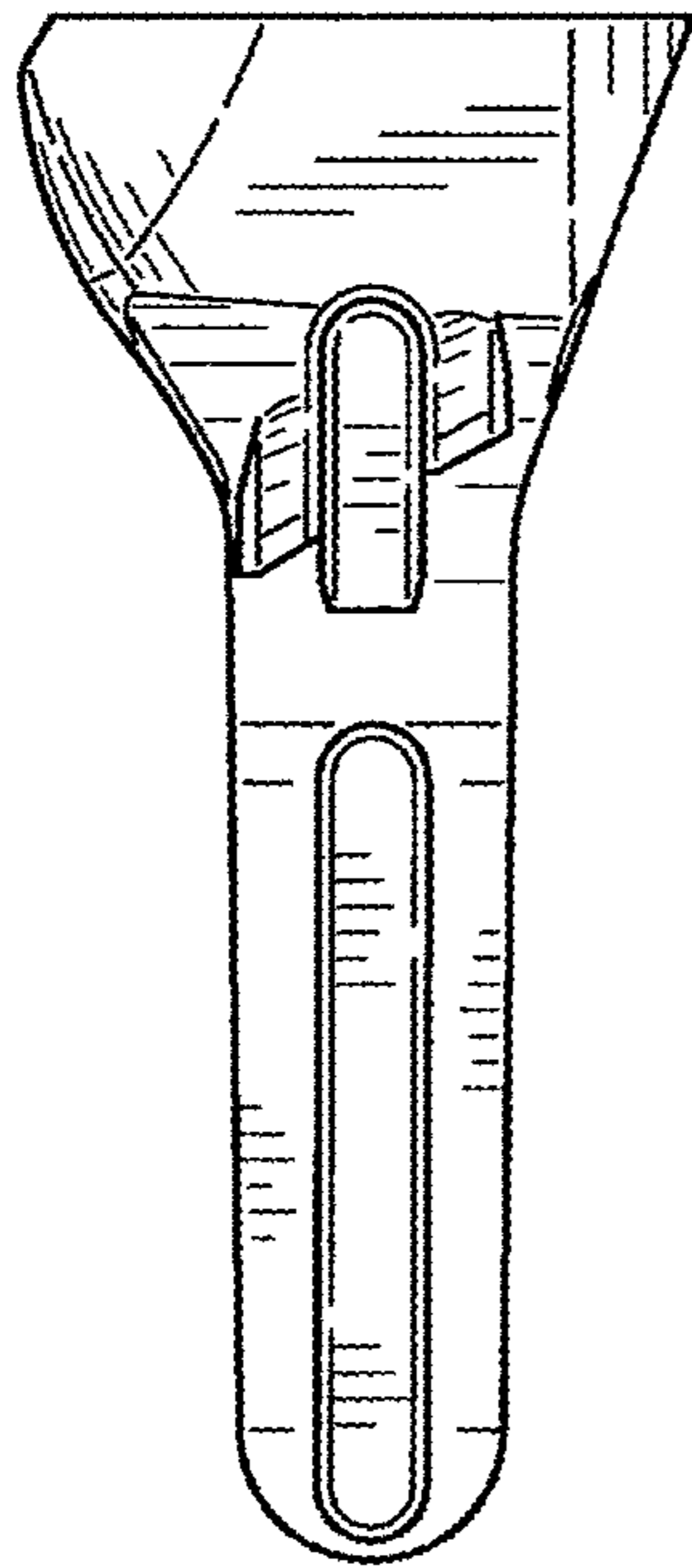


FIG. 2

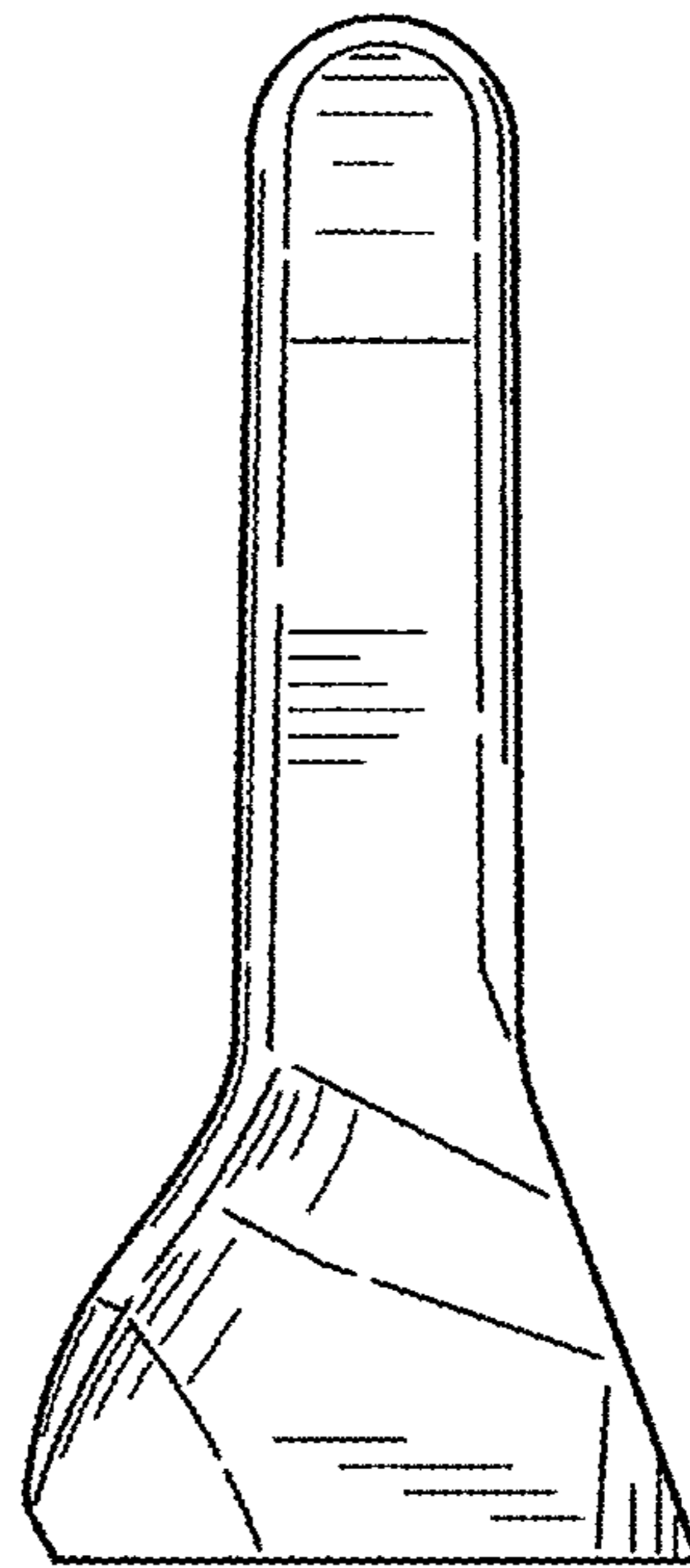


FIG. 3

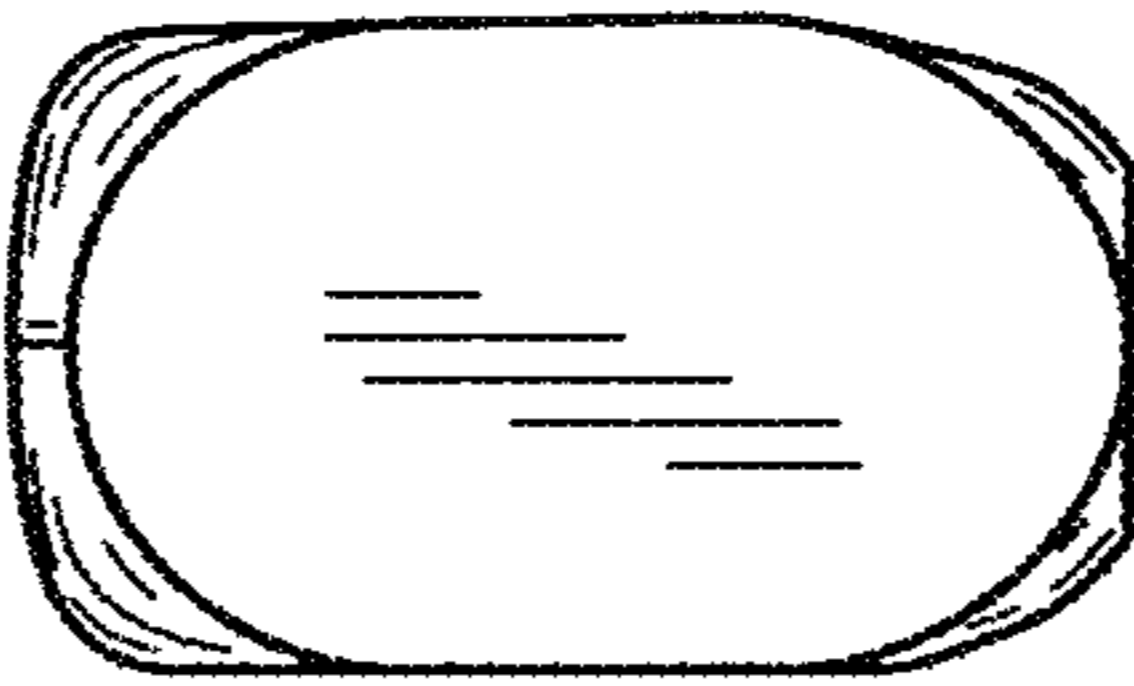


FIG. 5

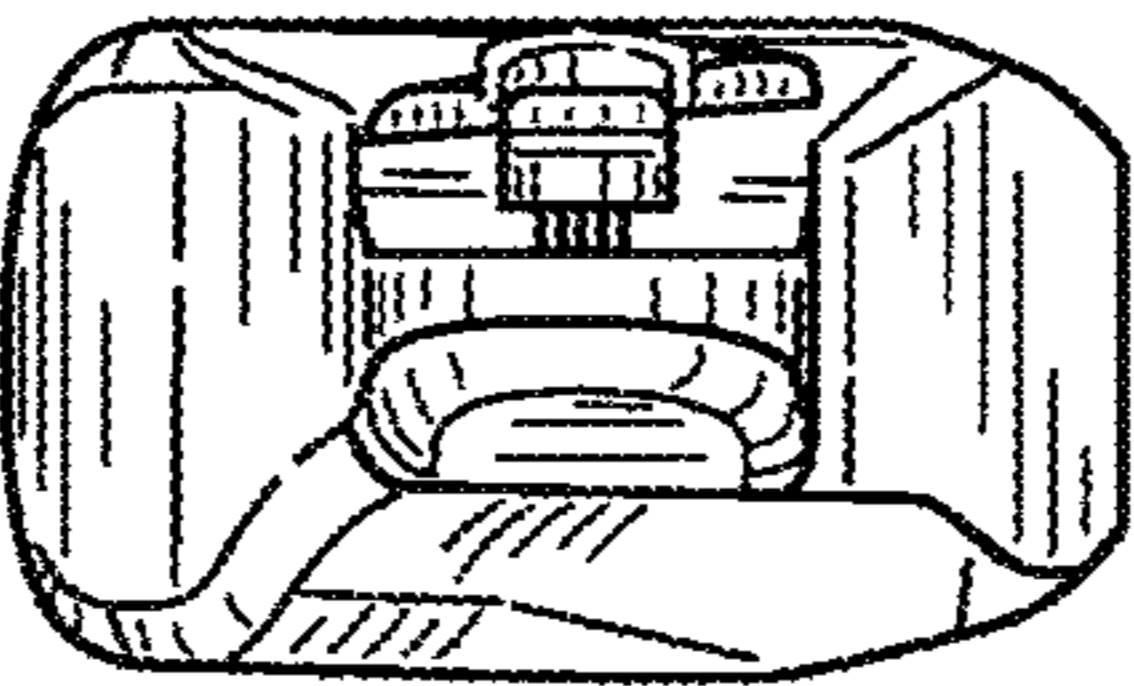


FIG. 4

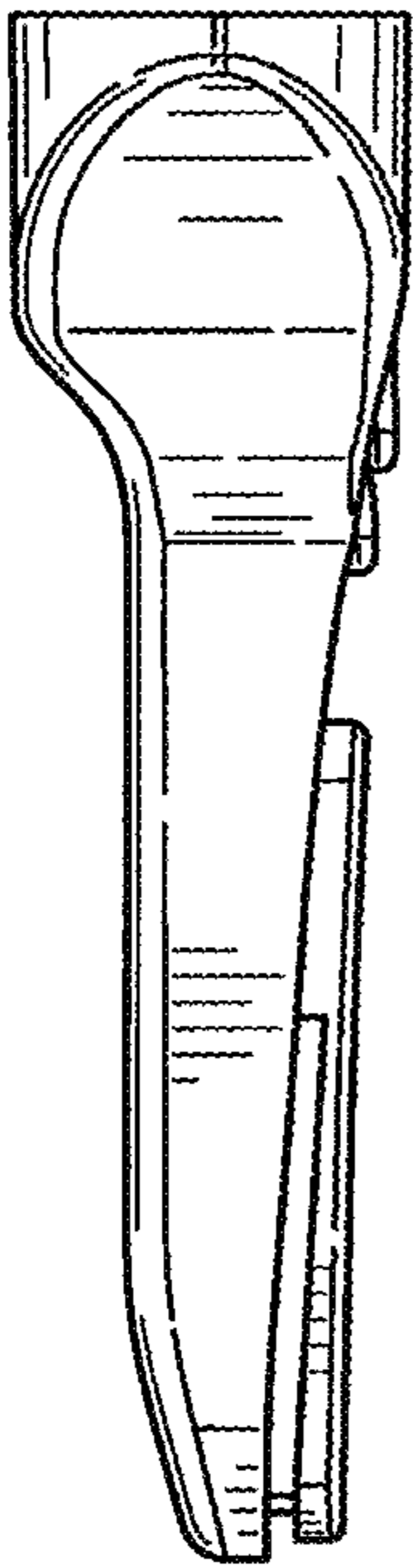


FIG. 6

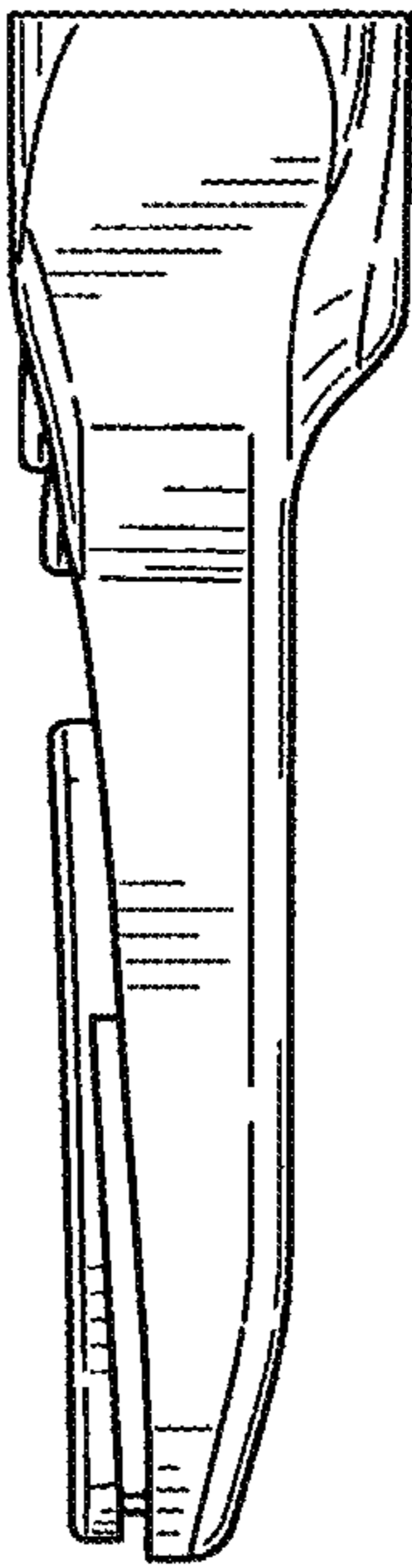


FIG. 7