



US00D755967S

(12) **United States Design Patent**
Ahluwalia et al.

(10) **Patent No.:** **US D755,967 S**

(45) **Date of Patent:** **** *May 10, 2016**

(54) **MEDICAL DEVICE**

(71) Applicants: **Prabhat Kumar Ahluwalia**, Little Falls, NY (US); **Puja Ahluwalia**, Little Falls, NY (US)

(72) Inventors: **Prabhat Kumar Ahluwalia**, Little Falls, NY (US); **Puja Ahluwalia**, Little Falls, NY (US)

(*) Notice: This patent is subject to a terminal disclaimer.

(**) Term: **14 Years**

(21) Appl. No.: **29/519,814**

(22) Filed: **Mar. 9, 2015**

Related U.S. Application Data

(63) Continuation-in-part of application No. 14/604,692, filed on Jan. 24, 2015, and a continuation-in-part of application No. 14/204,766, filed on Mar. 11, 2014.

(51) **LOC (10) Cl.** **24-02**

(52) **U.S. Cl.**
USPC **D24/141; D24/133**

(58) **Field of Classification Search**
USPC D24/141, 107, 127, 133, 147; 606/119
CPC A61B 17/42; A61B 17/4241
See application file for complete search history.

(56) **References Cited**

U.S. PATENT DOCUMENTS

| | | | |
|---------------|---------|-------------|-------------------------------|
| 78,431 A | 6/1868 | Cole | |
| 1,219,496 A | 3/1917 | Shaulis | |
| 2,071,248 A | 2/1937 | Campbell | |
| 2,324,656 A | 7/1943 | Vincent | |
| 3,926,192 A * | 12/1975 | Van Maren | A61B 17/4241 606/119 |
| 4,785,804 A | 11/1988 | Tlapek | |
| 4,883,071 A | 11/1989 | Pickhard | |
| 4,989,618 A | 2/1991 | Shihata | |
| 5,100,388 A | 3/1992 | Behl et al. | |

| | | | |
|---------------|---------|-----------|-------------------------------|
| 5,209,754 A | 5/1993 | Ahluwalia | |
| 5,540,700 A | 7/1996 | Rowden | |
| 5,571,115 A * | 11/1996 | Nicholas | A61B 17/4241 606/119 |
| 5,840,077 A * | 11/1998 | Rowden | A61B 17/4241 606/119 |
| 6,230,709 B1 | 5/2001 | LaVean | |
| 6,773,418 B1 | 8/2004 | Sharrow | |
| D667,550 S * | 9/2012 | Keckstein | D24/141 |

(Continued)

FOREIGN PATENT DOCUMENTS

WO PCT/US14/23247 9/2014

OTHER PUBLICATIONS

U.S. Appl. No. 14/604,692 Office Action, Mail date Mar. 25, 2015.
(Continued)

Primary Examiner — Wan Laymon

(74) *Attorney, Agent, or Firm* — Pierson IP, PLLC

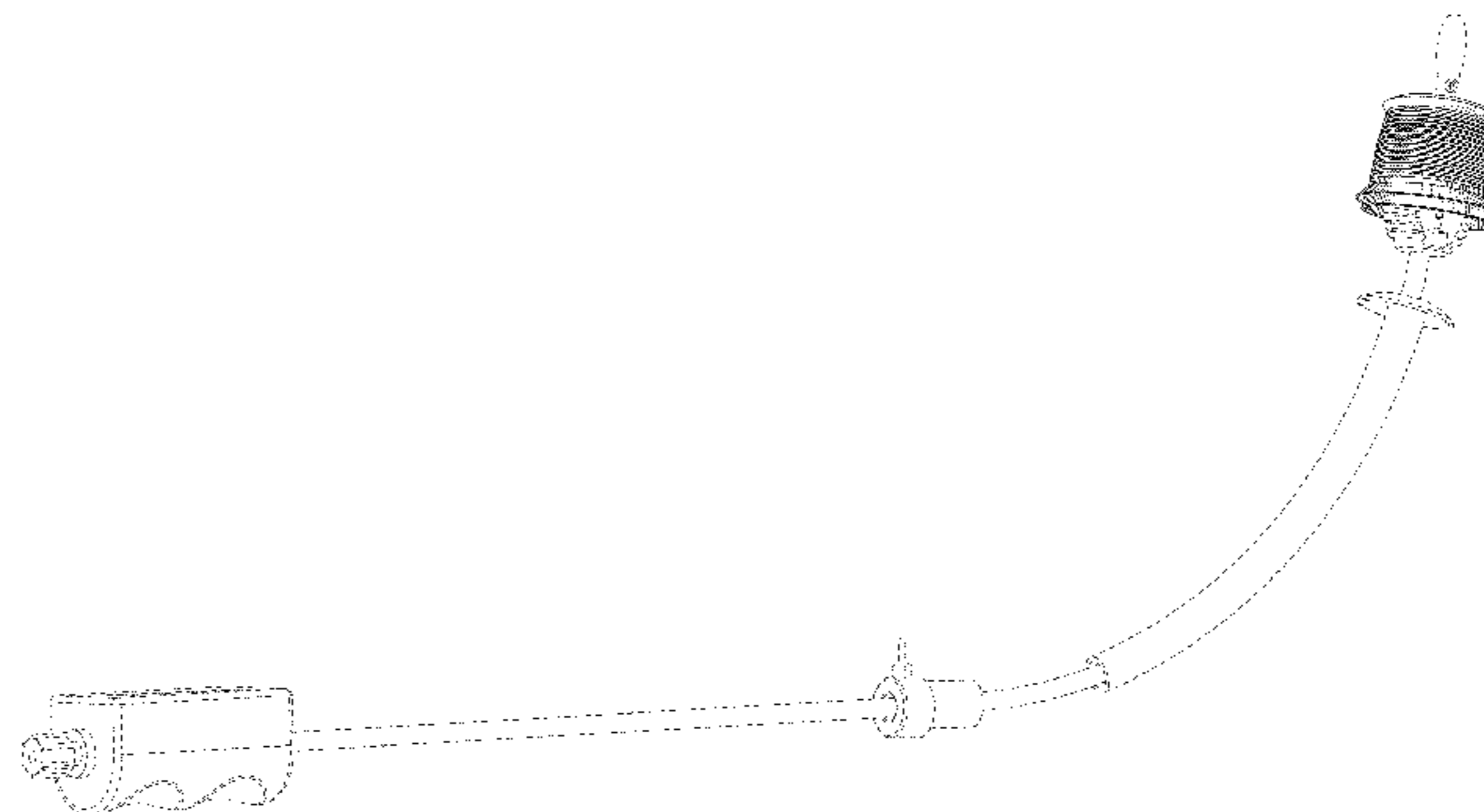
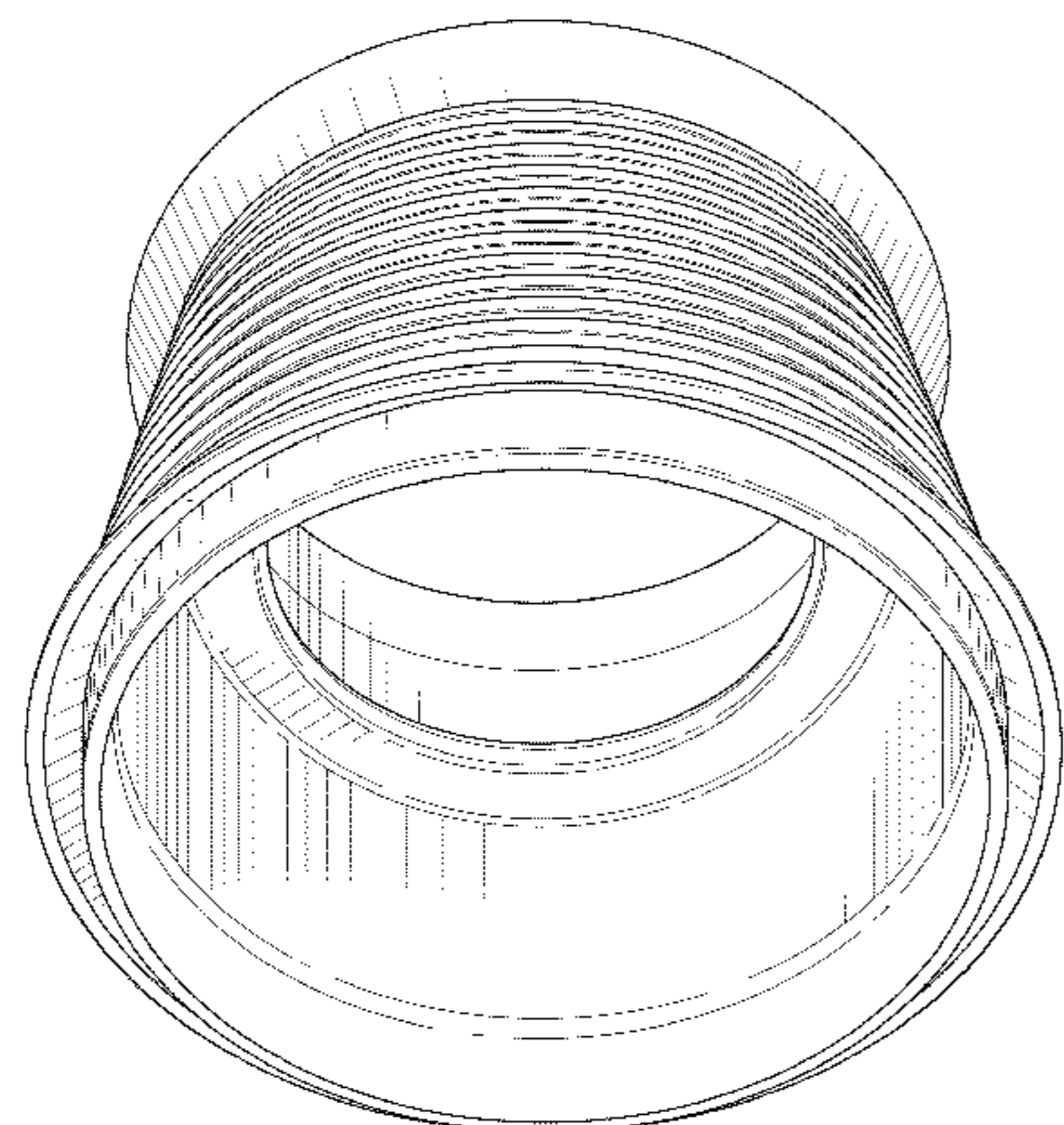
(57) **CLAIM**

The ornamental design for a medical device, as shown and described.

DESCRIPTION

FIG. 1 is a perspective view of a medical device showing our new design;
FIG. 2 is a top view of a medical device shown in FIG. 1;
FIG. 3 is a first side view of the medical device shown in FIG. 1;
FIG. 4 is a bottom view of the medical device shown in FIG. 1;
FIG. 5 is a perspective view of the medical device shown in FIG. 1; and,
FIG. 6 is a perspective view of the medical device shown in FIG. 1.
Elements shown in broken lines show environmental structures or non-claimed portions of the medical device and form no part of our design.

1 Claim, 6 Drawing Sheets



(56)

References Cited

U.S. PATENT DOCUMENTS

8,663,239 B2 * 3/2014 Hess A61B 17/4241
606/119

8,770,200 B2 7/2014 Ahluwalia

8,939,988 B2 * 1/2015 Auerbach A61B 17/4241
606/119

9,011,433 B2 * 4/2015 Batchelor A61B 18/1485
606/41

9,089,365 B2 * 7/2015 Jones A61B 17/4241

9,101,390 B2 * 8/2015 Singh A61B 17/4241

D742,513 S * 11/2015 Ahluwalia D24/141

2005/0277948 A1 12/2005 Cedars et al.

2007/0038170 A1 2/2007 Joseph

2008/0039864 A1 2/2008 Feuer

2010/0106163 A1 4/2010 Blair et al.

2010/0280524 A1 * 11/2010 Lopez Zepeda ... A61B 17/4241
606/119

2010/0331859 A1 12/2010 Omori

2011/0259344 A1 10/2011 Ahluwalia

2012/0330324 A1 12/2012 Sauer

2013/0023896 A1 1/2013 Quimby

2014/0135587 A1 * 5/2014 Hess A61B 17/4241
606/119

2014/0200591 A1 * 7/2014 Sullivan A61B 17/42
606/119

2014/0257322 A1 * 9/2014 Batchelor A61B 17/4241
606/119

2014/0358158 A1 * 12/2014 Einarsson A61B 17/42
606/119

2014/0371539 A1 12/2014 Ahluwalia

OTHER PUBLICATIONS

Conmed Endosurgery, "Vcare and Vcare DX," The American Academy of Gynecologic Laparoscopists, Nov. 7, 2010 in the Journal of Minimally Invasive Gynecology, 4 pages.

Coopersurgical, "KOH Hysterectomy Products" 2012, 2 pages.

* cited by examiner

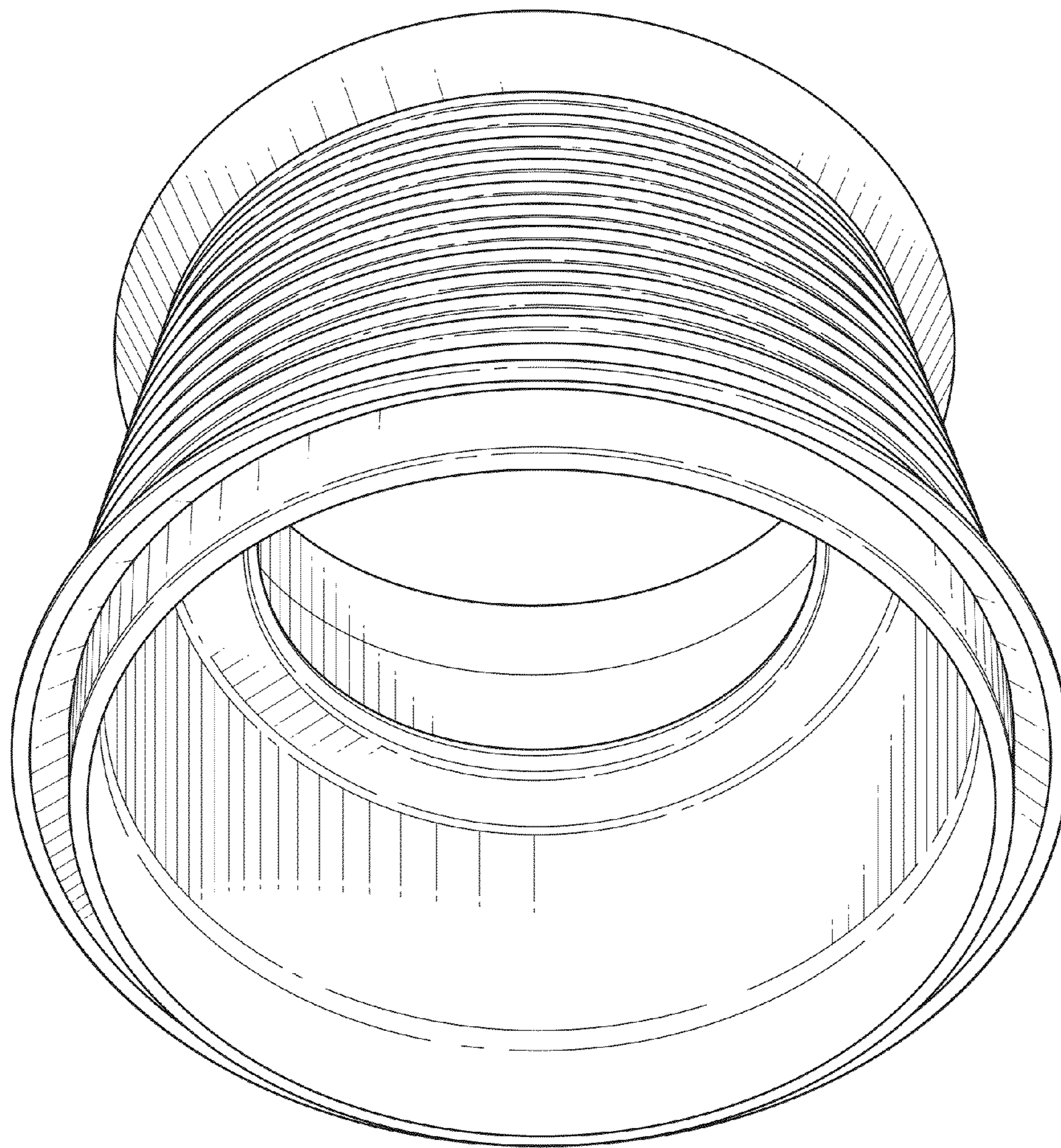


FIG. 1

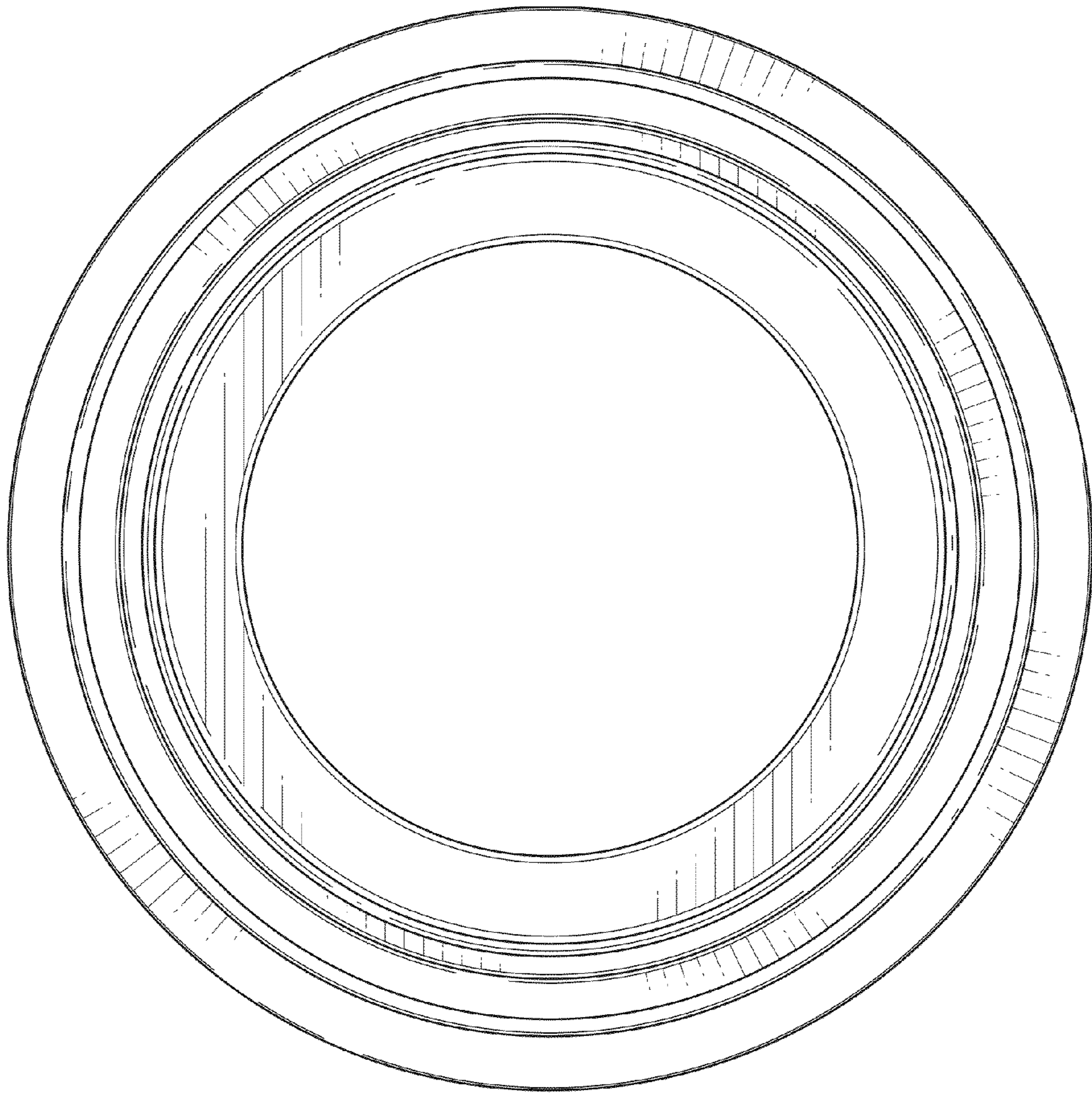


FIG. 2

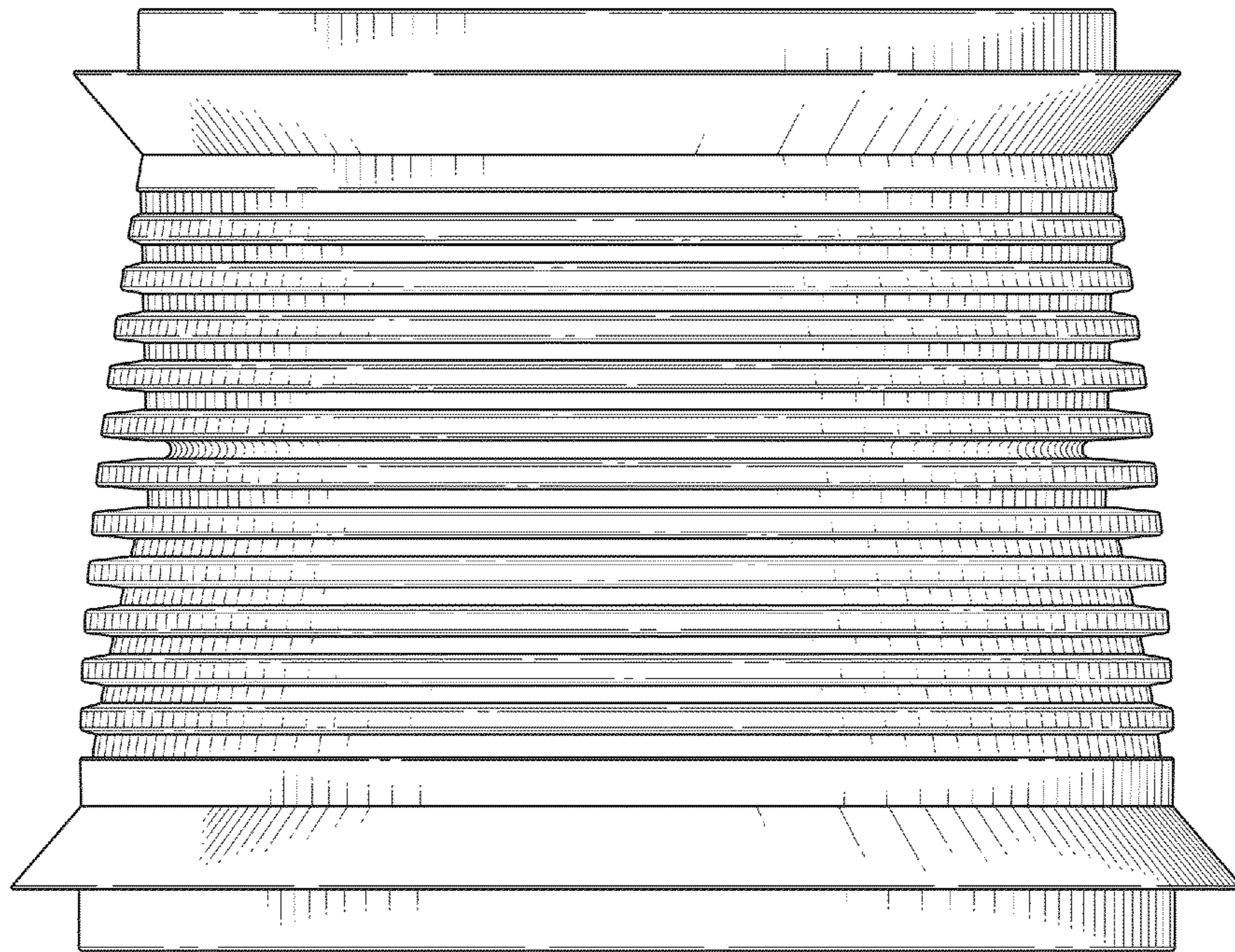


FIG. 3

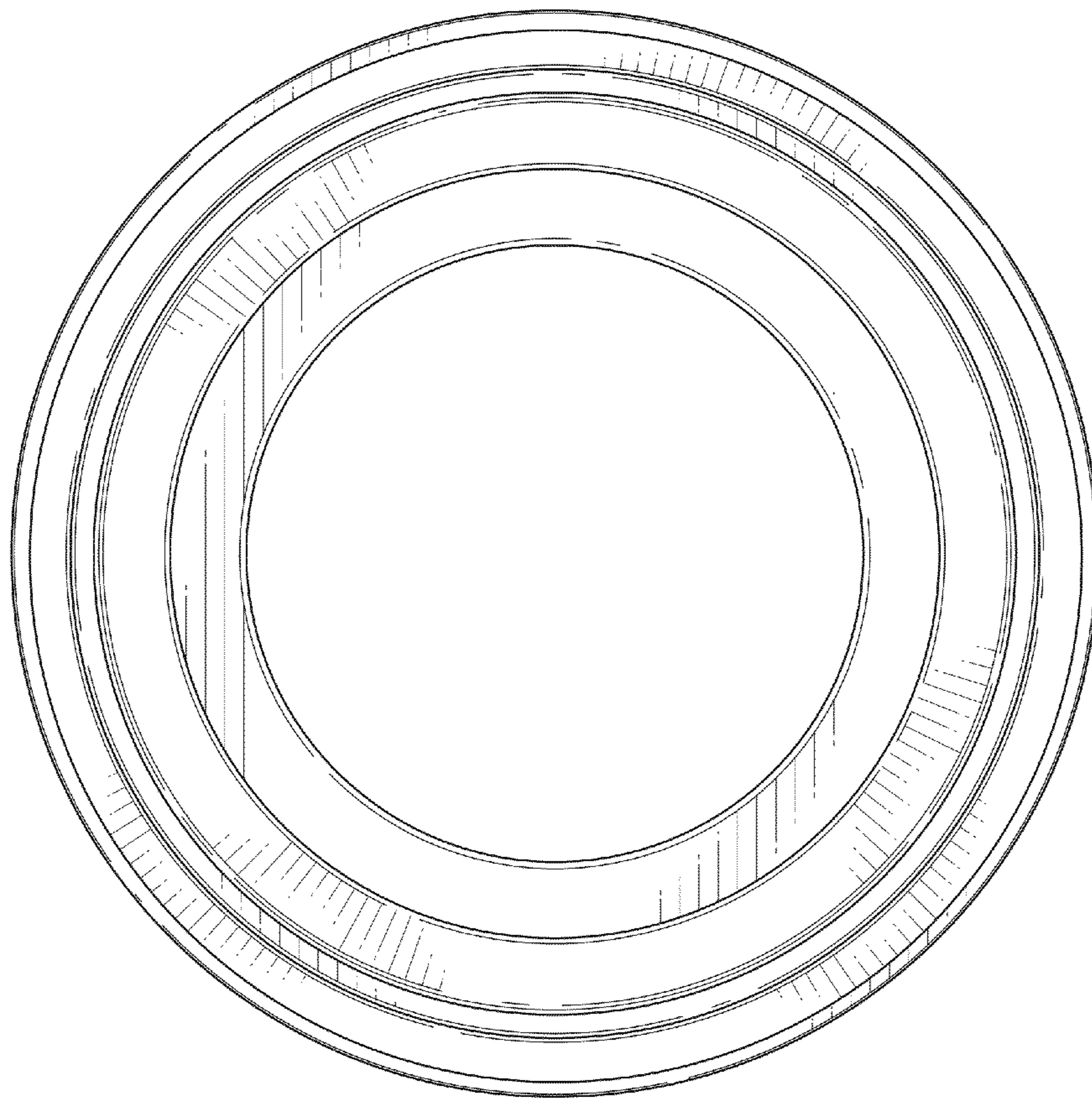


FIG. 4

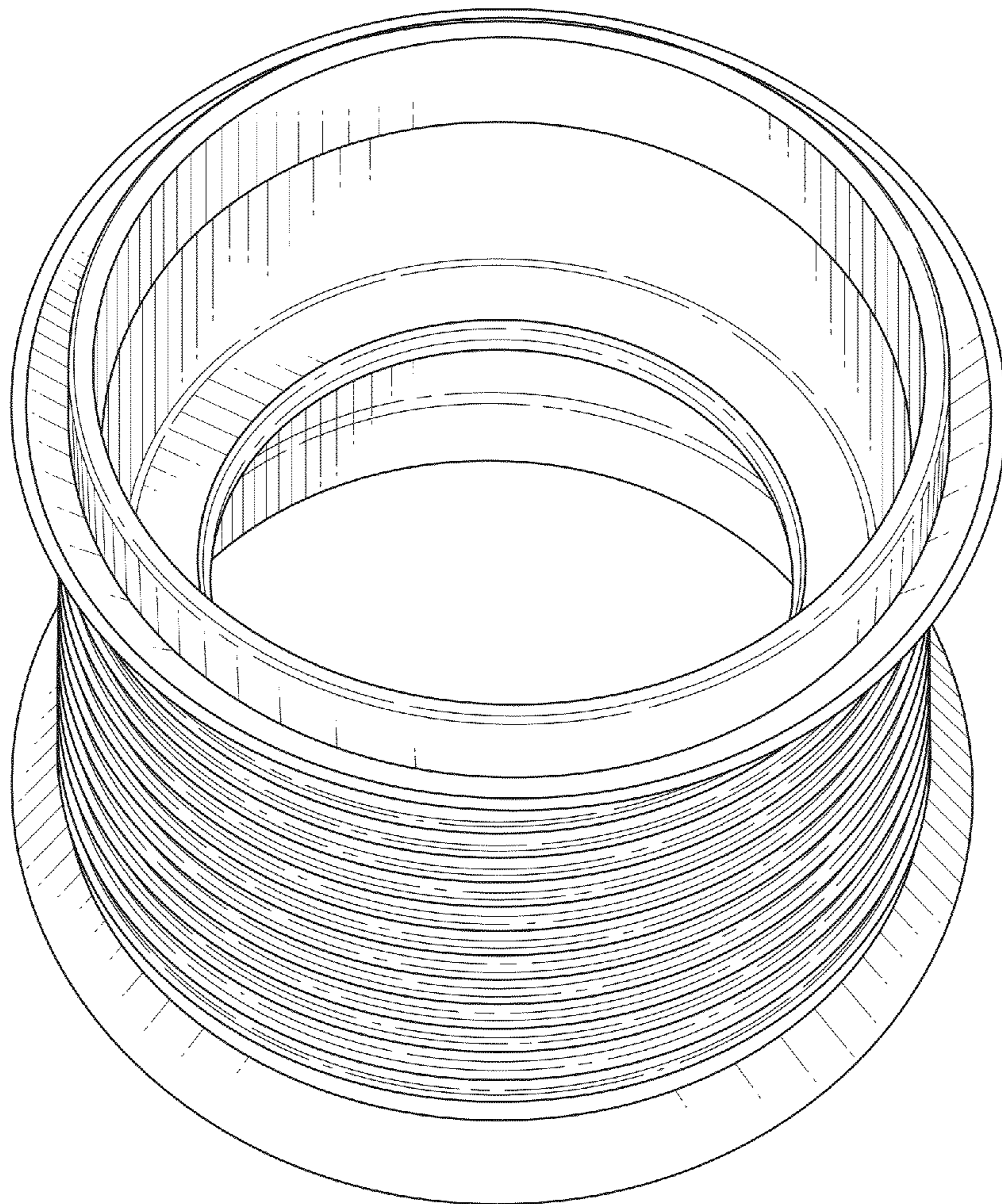


FIG. 5

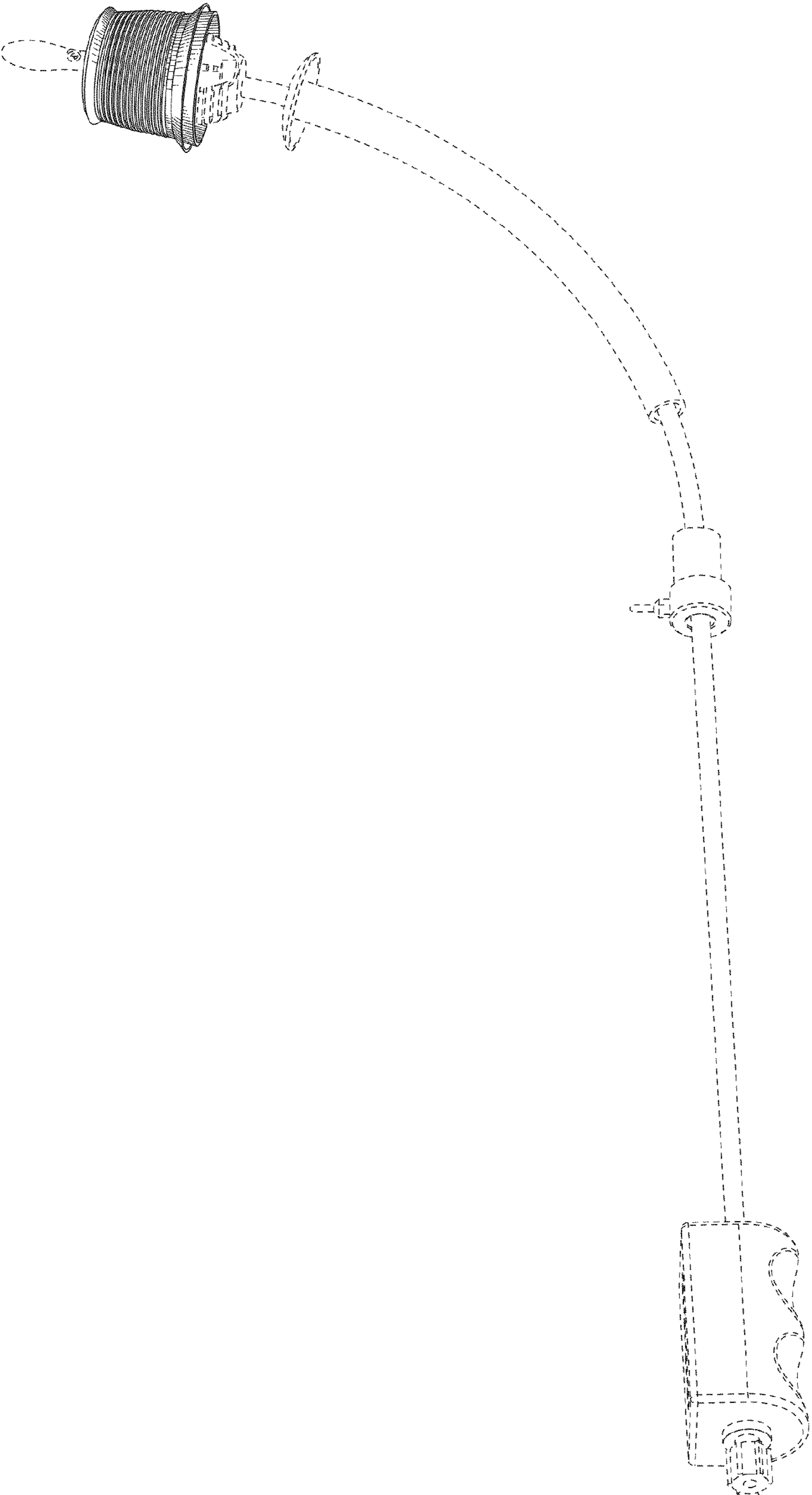


FIG. 6