



US00D755966S

(12) **United States Design Patent**  
**Ahluwalia et al.**

(10) **Patent No.:** **US D755,966 S**

(45) **Date of Patent:** **\*\* \*May 10, 2016**

(54) **MEDICAL DEVICE**

(71) Applicants: **Prabhat Kumar Ahluwalia**, Little Falls, NY (US); **Puja Ahluwalia**, Little Falls, NY (US)

(72) Inventors: **Prabhat Kumar Ahluwalia**, Little Falls, NY (US); **Puja Ahluwalia**, Little Falls, NY (US)

(\*) Notice: This patent is subject to a terminal disclaimer.

(\*\*) Term: **14 Years**

(21) Appl. No.: **29/519,809**

(22) Filed: **Mar. 9, 2015**

**Related U.S. Application Data**

(63) Continuation-in-part of application No. 14/604,692, filed on Jan. 24, 2015, and a continuation-in-part of application No. 14/204,766, filed on Mar. 11, 2014.

(51) **LOC (10) Cl.** ..... **24-02**

(52) **U.S. Cl.**  
USPC ..... **D24/141; D24/133**

(58) **Field of Classification Search**  
USPC ..... D24/141, 107, 127, 133, 147; 606/119  
CPC ..... A61B 17/42; A61B 17/4241  
See application file for complete search history.

(56) **References Cited**

**U.S. PATENT DOCUMENTS**

78,431 A	6/1868	Cole	
1,219,496 A	3/1917	Shaulis	
2,071,248 A	2/1937	Campbell	
2,324,656 A	7/1943	Vincent	
3,926,192 A *	12/1975	Van Maren	..... A61B 17/4241 606/119
4,785,804 A	11/1988	Tlapek	
4,883,071 A	11/1989	Pickhard	
4,989,618 A	2/1991	Shihata	
5,100,388 A	3/1992	Behl et al.	

5,209,754 A	5/1993	Ahluwalia	
5,540,700 A	7/1996	Rowden	
5,571,115 A *	11/1996	Nicholas	..... A61B 17/4241 606/119
5,840,077 A *	11/1998	Rowden	..... A61B 17/4241 606/119
6,230,709 B1	5/2001	LaVean	
6,773,418 B1	8/2004	Sharrow	
D667,550 S *	9/2012	Keckstein	..... D24/141

(Continued)

**FOREIGN PATENT DOCUMENTS**

WO PCT/US14/23247 9/2014

**OTHER PUBLICATIONS**

U.S. Appl. No. 14/604,692 Office Action, Mail date Mar. 25, 2015.  
(Continued)

*Primary Examiner* — Wan Laymon

(74) *Attorney, Agent, or Firm* — Pierson IP, PLLC

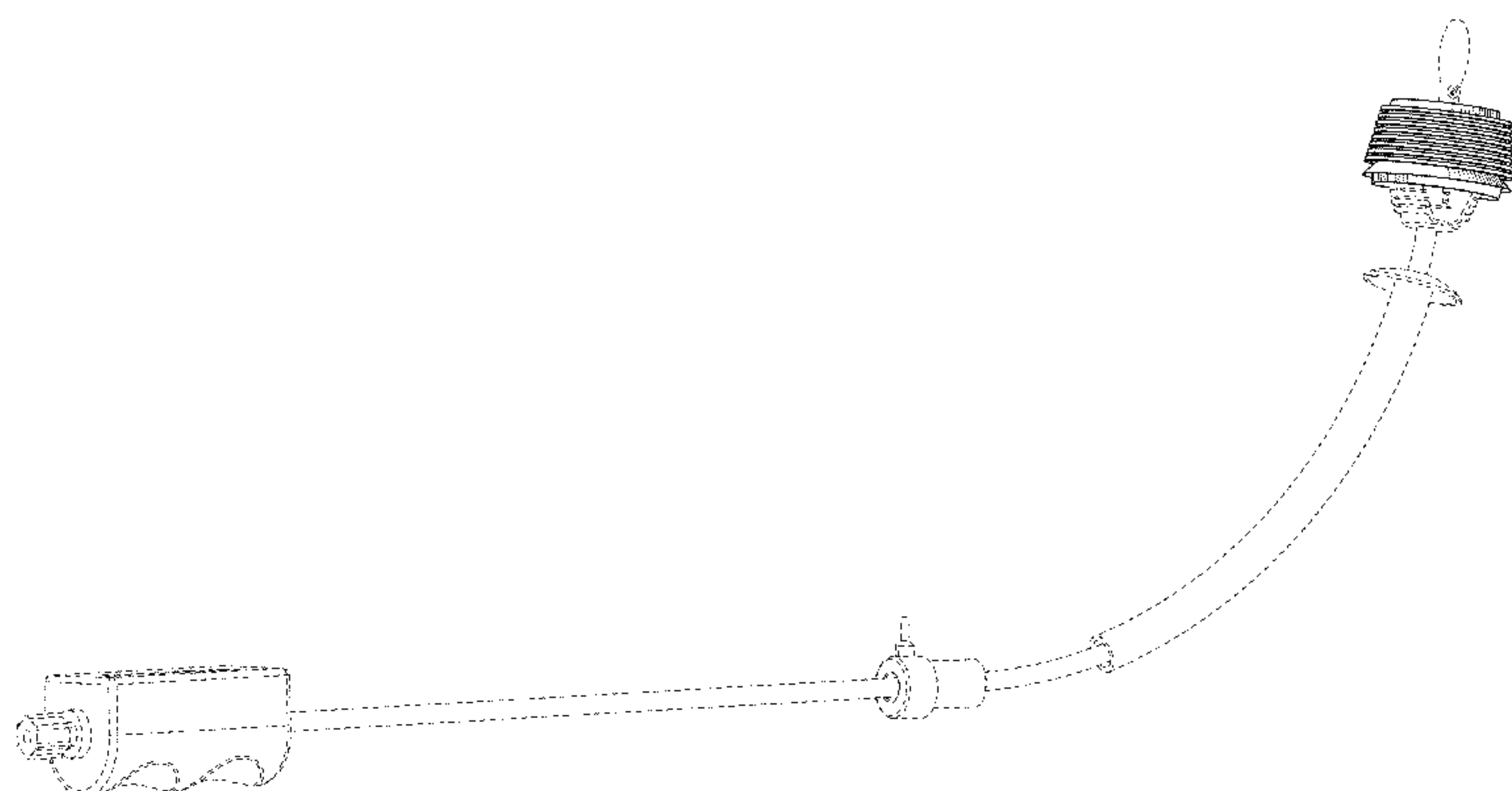
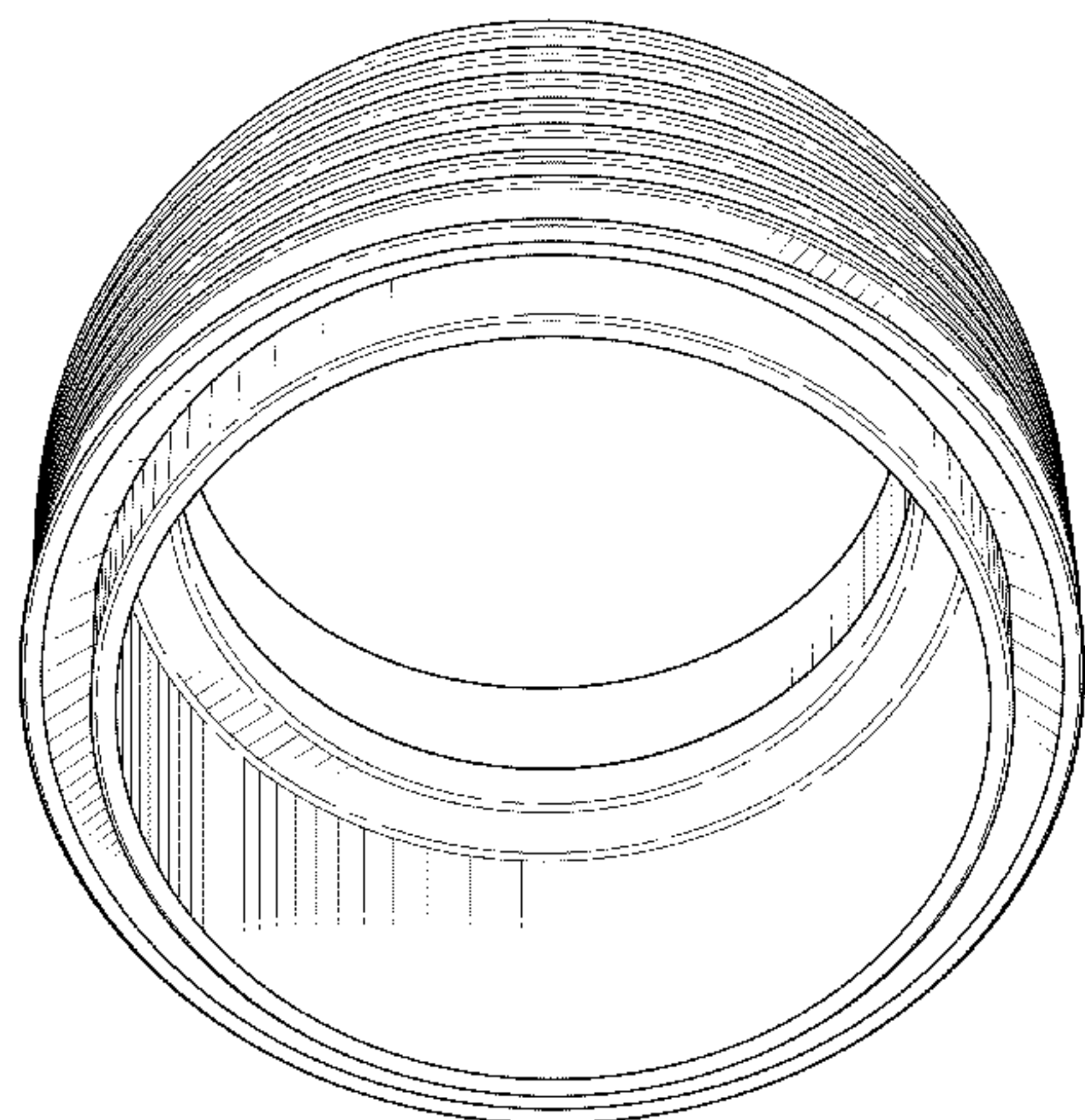
(57) **CLAIM**

The ornamental design for a medical device, as shown and described.

**DESCRIPTION**

FIG. 1 is a perspective view of a medical device showing our new design;  
FIG. 2 is a top view of a medical device shown in FIG. 1;  
FIG. 3 is a first side view of the medical device shown in FIG. 1;  
FIG. 4 is a bottom view of the medical device shown in FIG. 1;  
FIG. 5 is a perspective view of the medical device shown in FIG. 1; and,  
FIG. 6 is a perspective view of the medical device shown in FIG. 1.  
Elements shown in broken lines show environmental structures or non-claimed portions of the medical device and form no part of our design.

**1 Claim, 6 Drawing Sheets**



(56)

**References Cited**

U.S. PATENT DOCUMENTS

8,663,239 B2 \* 3/2014 Hess ..... A61B 17/4241  
606/119

8,770,200 B2 7/2014 Ahluwalia

8,939,988 B2 \* 1/2015 Auerbach ..... A61B 17/4241  
606/119

9,011,433 B2 \* 4/2015 Batchelor ..... A61B 18/1485  
606/41

9,089,365 B2 \* 7/2015 Jones ..... A61B 17/4241

9,101,390 B2 \* 8/2015 Singh ..... A61B 17/4241

D742,513 S \* 11/2015 Ahluwalia ..... D24/141

2005/0277948 A1 12/2005 Cedars et al.

2007/0038170 A1 2/2007 Joseph

2008/0039864 A1 2/2008 Feuer

2010/0106163 A1 4/2010 Blair et al.

2010/0280524 A1 \* 11/2010 Lopez Zepeda ... A61B 17/4241  
606/119

2010/0331859 A1 12/2010 Omori

2011/0259344 A1 10/2011 Ahluwalia

2012/0330324 A1 12/2012 Sauer

2013/0023896 A1 1/2013 Quimby

2014/0135587 A1 \* 5/2014 Hess ..... A61B 17/4241  
606/119

2014/0200591 A1 \* 7/2014 Sullivan ..... A61B 17/42  
606/119

2014/0257322 A1 \* 9/2014 Batchelor ..... A61B 17/4241  
606/119

2014/0358158 A1 \* 12/2014 Einarsson ..... A61B 17/42  
606/119

2014/0371539 A1 12/2014 Ahluwalia

OTHER PUBLICATIONS

Conmed Endosurgery, "Vcare and Vcare DX," The American Academy of Gynecologic Laparoscopists, Nov. 7, 2010 in the Journal of Minimally Invasive Gynecology, 4 pages.

Coopersurgical, "Koh Hysterectomy Products" 2012, 2 pages.

\* cited by examiner

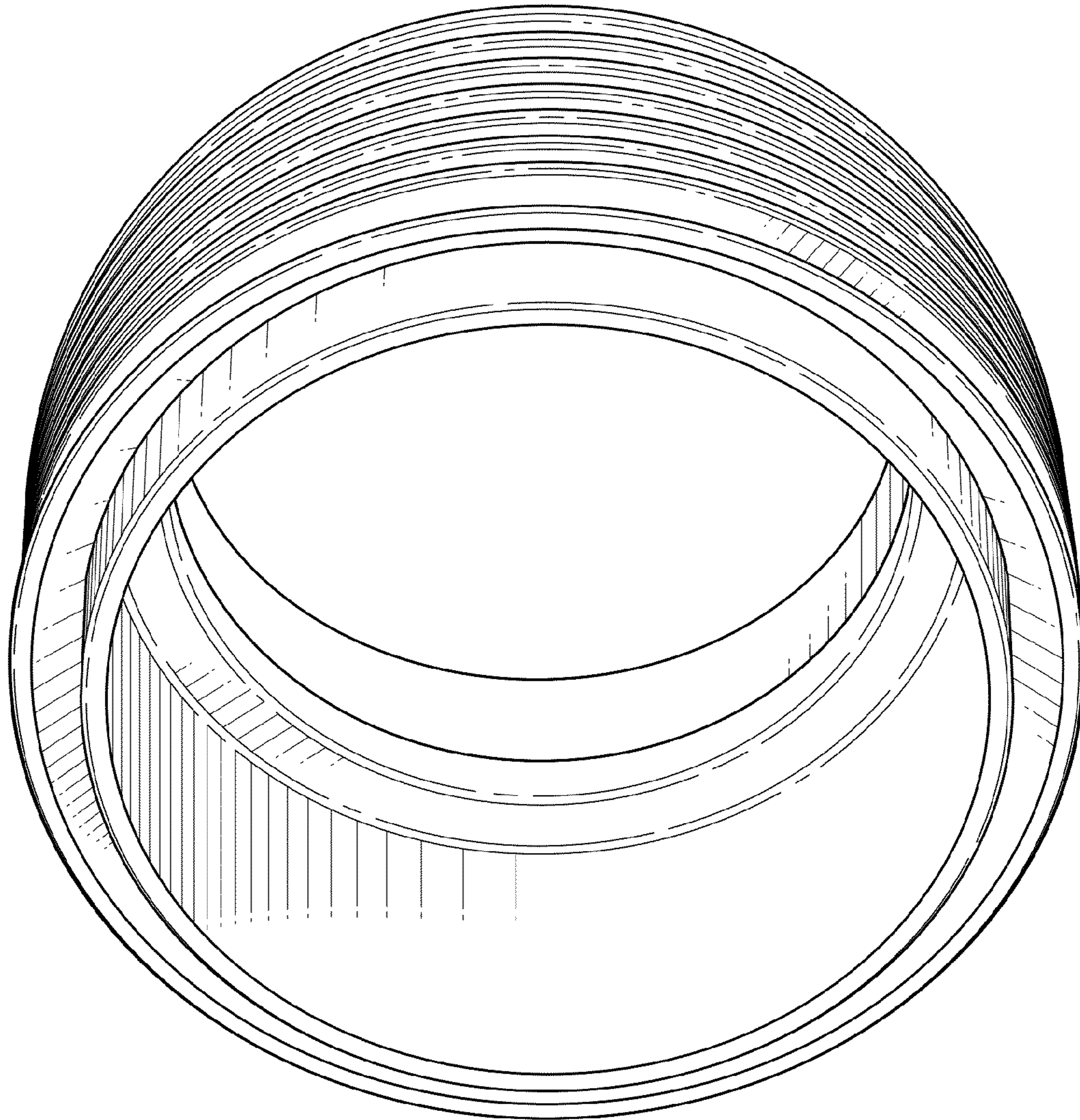


FIG. 1



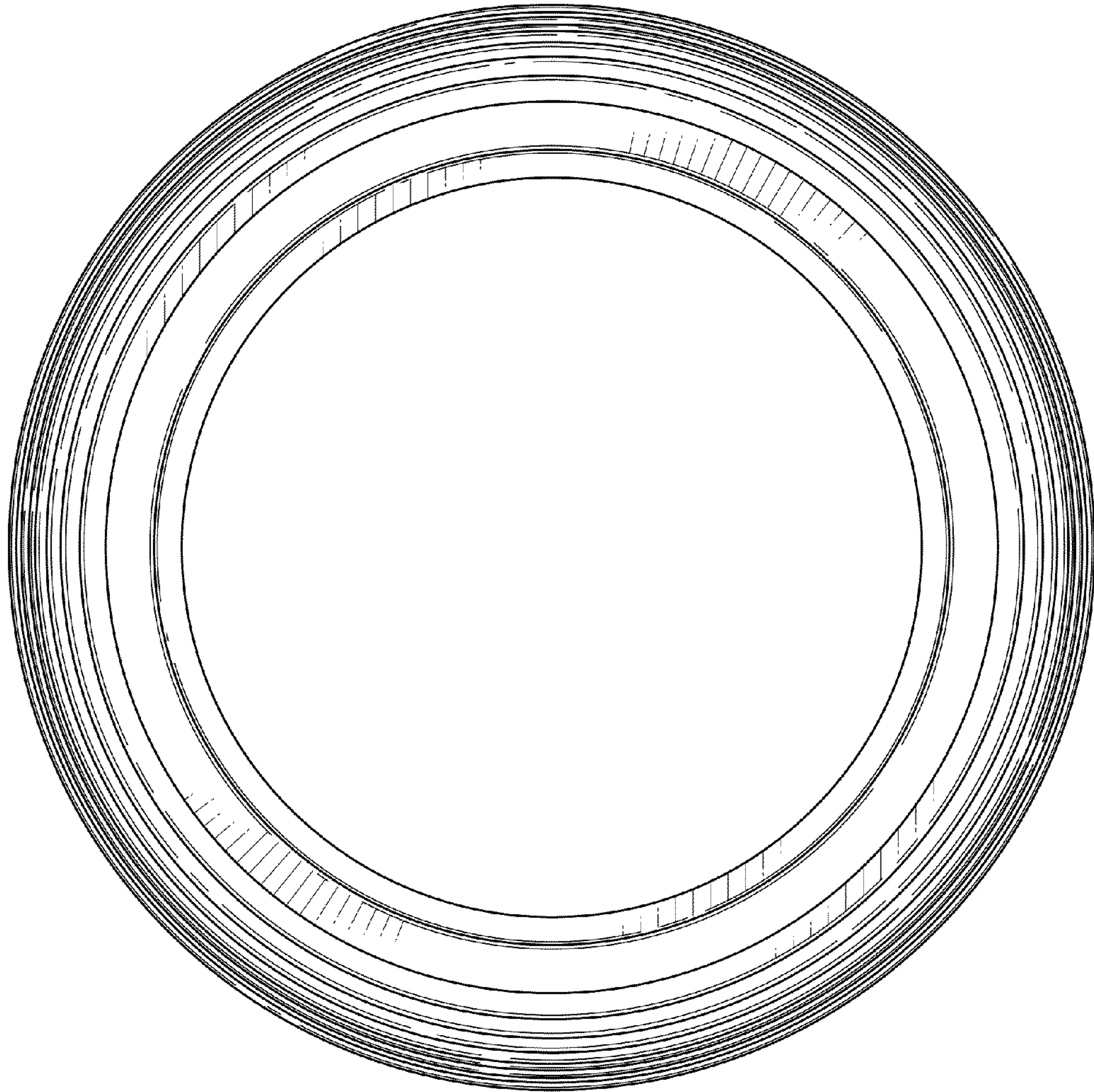


FIG. 2

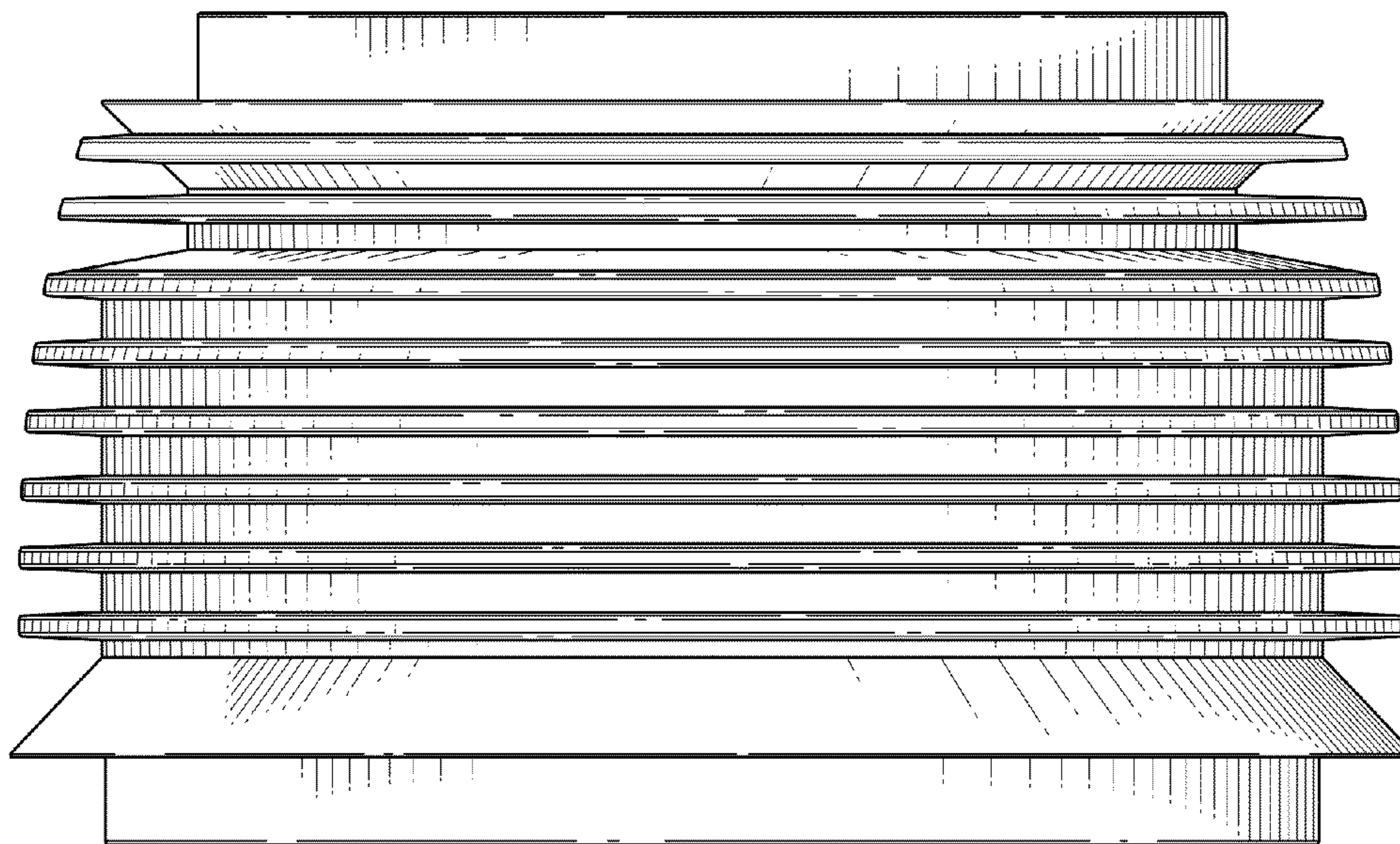


FIG. 3

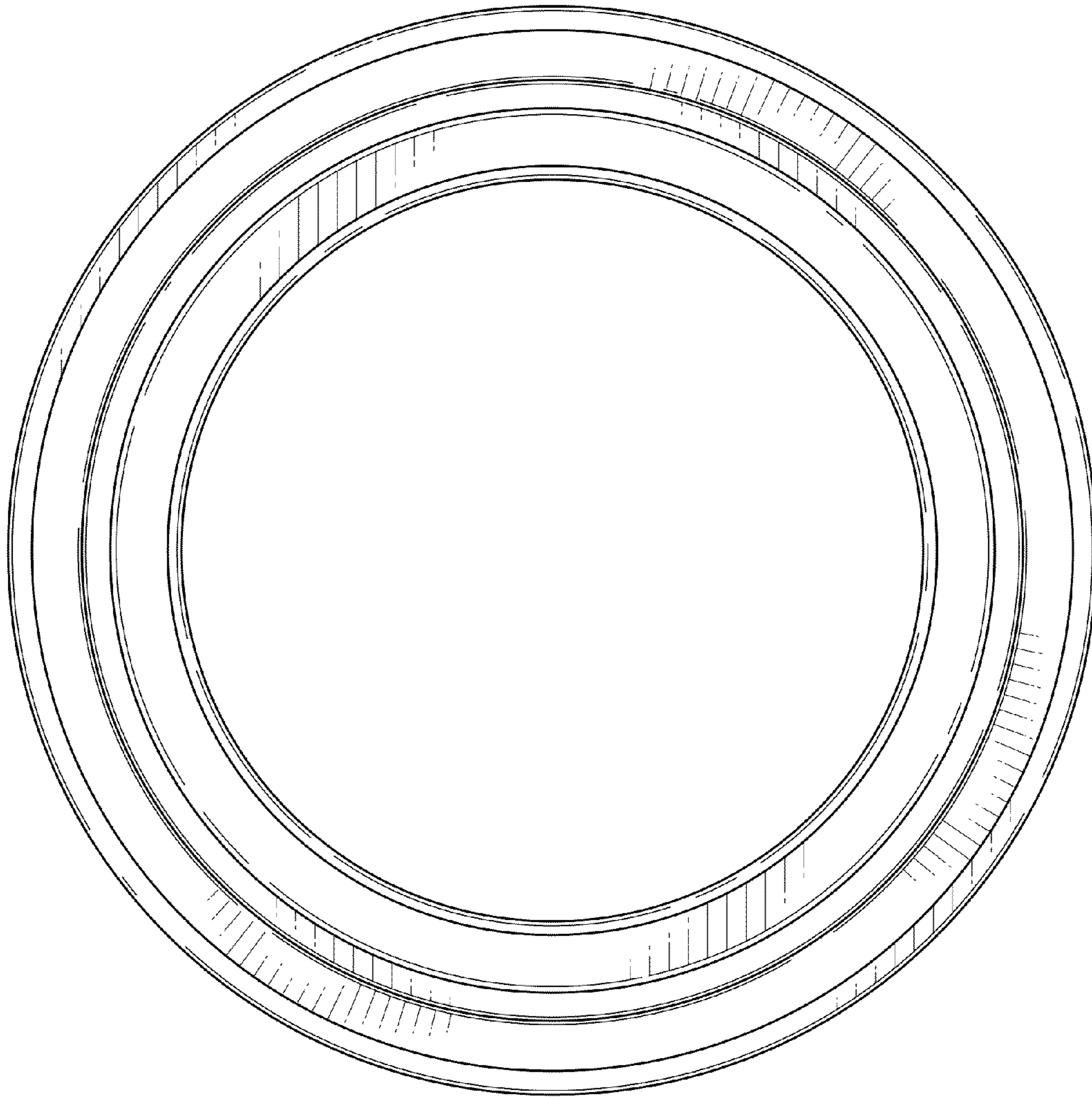


FIG. 4



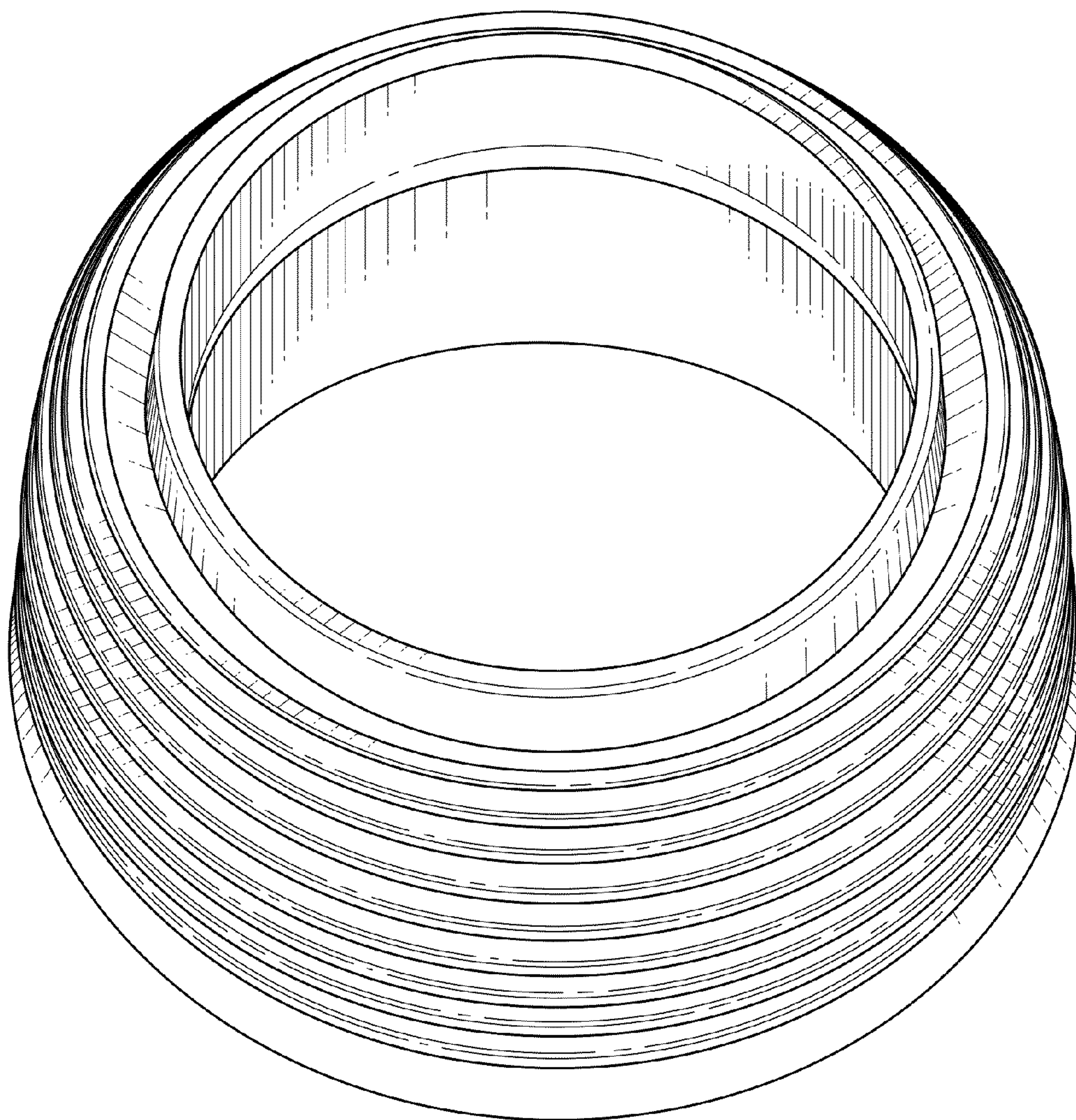


FIG. 5

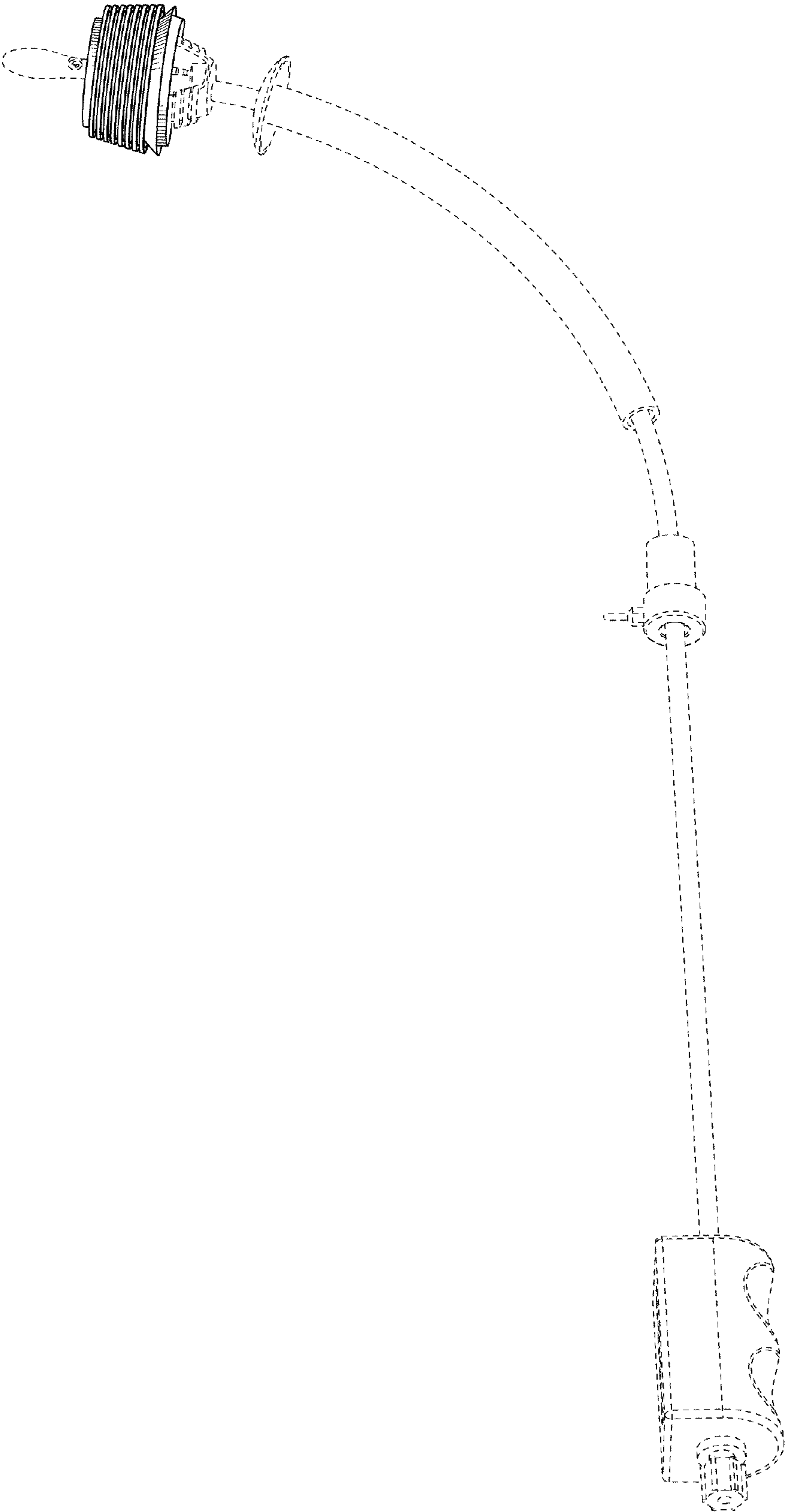


FIG. 6