



US00D755963S

(12) **United States Design Patent**
Stammberger et al.

(10) **Patent No.:** **US D755,963 S**

(45) **Date of Patent:** **** May 10, 2016**

(54) **MEDICAL INSTRUMENT FOR DILATING STRUCTURES**

(71) Applicant: **KARL STORZ GmbH & Co. KG**,
Tuttlingen (DE)

(72) Inventors: **Heinz Stammberger**, Graz (AT);
Martin Blocher, Stockach-Espasingen
(DE); **Tobias Unger**, Geisingen (DE);
Jochen Schmidberger, Schoerzingen
(DE)

(73) Assignee: **KARL STORZ GmbH & Co. KG**,
Tuttlingen (DE)

(**) Term: **14 Years**

(21) Appl. No.: **29/472,472**

(22) Filed: **Nov. 12, 2013**

(30) **Foreign Application Priority Data**

May 10, 2013 (EM) 002235143-0004

(51) **LOC (10) Cl.** **24-02**

(52) **U.S. Cl.**
USPC **D24/135**

(58) **Field of Classification Search**
USPC D24/133, 134, 135, 143, 146; 606/1,
606/130, 170, 191, 205; 604/19, 334
See application file for complete search history.

(56) **References Cited**

U.S. PATENT DOCUMENTS

5,431,676	A	7/1995	Dubrul et al.	
5,630,801	A *	5/1997	Roussigne et al.	623/1.11
D625,809	S *	10/2010	Cuschieri et al.	D24/143
D626,227	S *	10/2010	Leroy et al.	D24/143
D626,229	S *	10/2010	Leroy et al.	D24/143
D642,262	S *	7/2011	Wagner	D24/133
D650,076	S *	12/2011	Dapri et al.	D24/133
D655,414	S *	3/2012	Cuschieri et al.	D24/133
D669,983	S *	10/2012	Dapri et al.	D24/133

D670,381	S *	11/2012	Dapri et al.	D24/133
2007/0049966	A1 *	3/2007	Bonadio et al.	606/206
2009/0054733	A1 *	2/2009	Marescaux et al.	600/141
2010/0274275	A1	10/2010	Stammberger et al.	
2011/0178370	A1 *	7/2011	Frassica	600/114
2012/0109277	A1 *	5/2012	Lepulu et al.	623/1.11

* cited by examiner

Primary Examiner — Garth Rademaker

Assistant Examiner — Samantha Q Lawrence

(74) *Attorney, Agent, or Firm* — Muncy, Geissler, Olds & Lowe, P.C.

(57) **CLAIM**

The ornamental design for a medical instrument for dilating structures, as shown and described.

DESCRIPTION

FIG. 1 is a perspective view of a medical instrument for dilating structures according to the present invention.

FIG. 2 is a right side view of the medical instrument for dilating structures of FIG. 1.

FIG. 3 is a left side rotated view of the medical instrument for dilating structures of FIG. 1.

FIG. 4 is a top view of the medical instrument for dilating structures of FIG. 1.

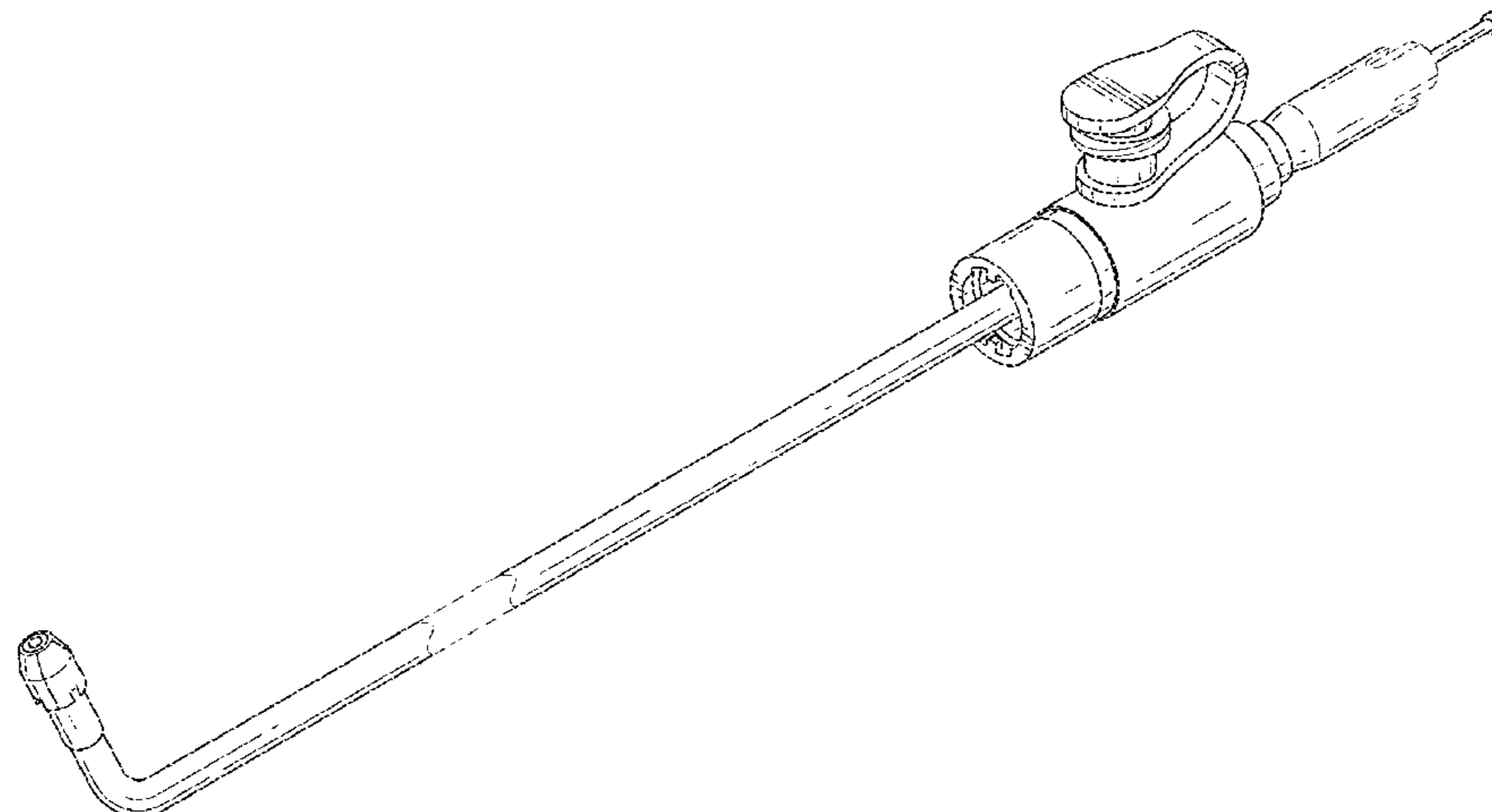
FIG. 5 is a bottom view of the medical instrument for dilating structures of FIG. 1.

FIG. 6 is a front view of the medical instrument for dilating structures of FIG. 1; and,

FIG. 7 is a rear view of the medical instrument for dilating structures of FIG. 1.

The medical instrument for dilating structures is shown with a symbolic break in its length and includes portions of the article shown in broken lines between the break lines. The appearance of any portion of the article between the break lines forms no part of the claimed design. Also, the broken lines shown in FIGS. 1-5 and 7 illustrate portions of the medical instrument for dilating structures that form no part of the claimed design.

1 Claim, 6 Drawing Sheets



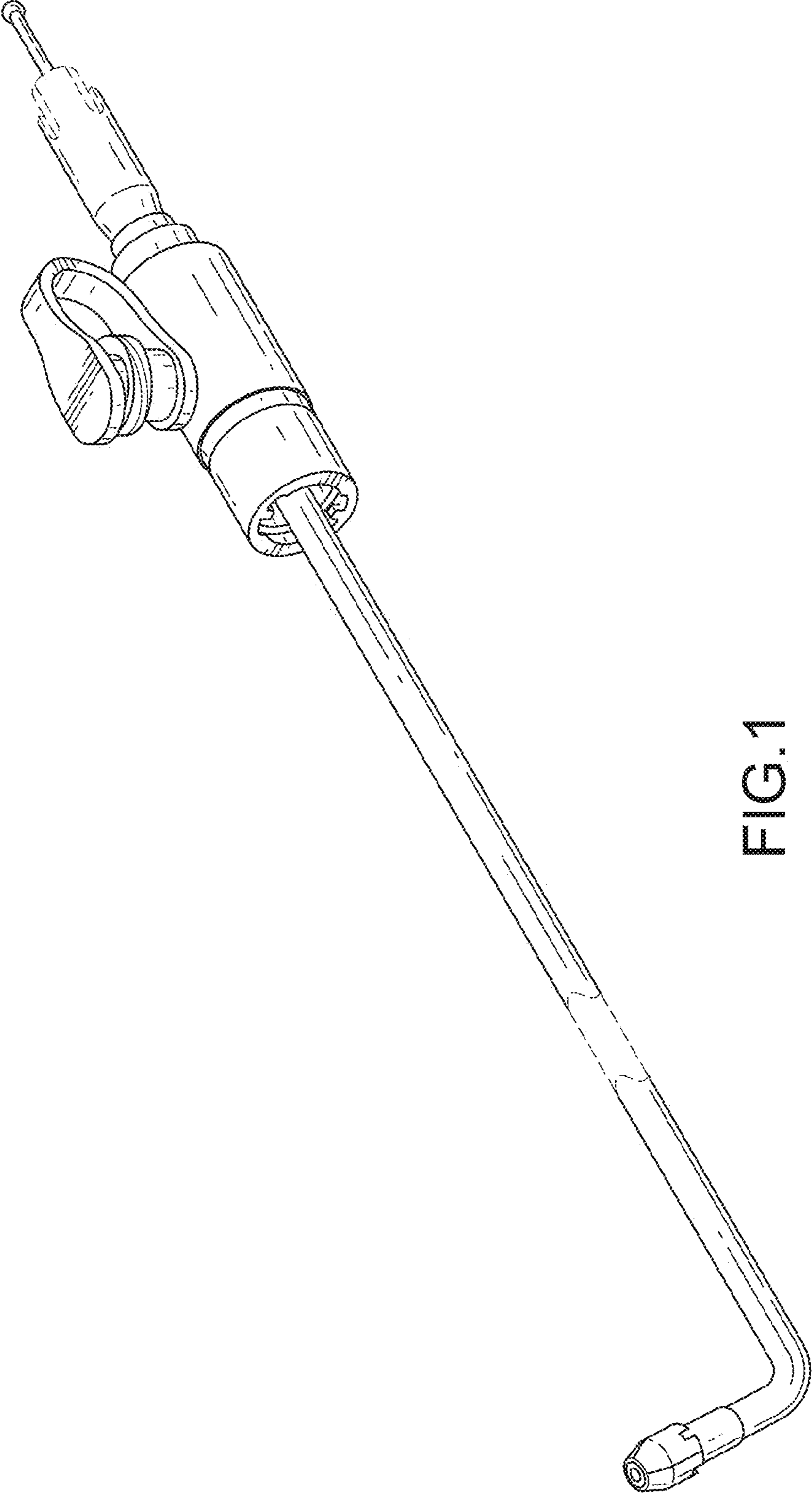


FIG.1

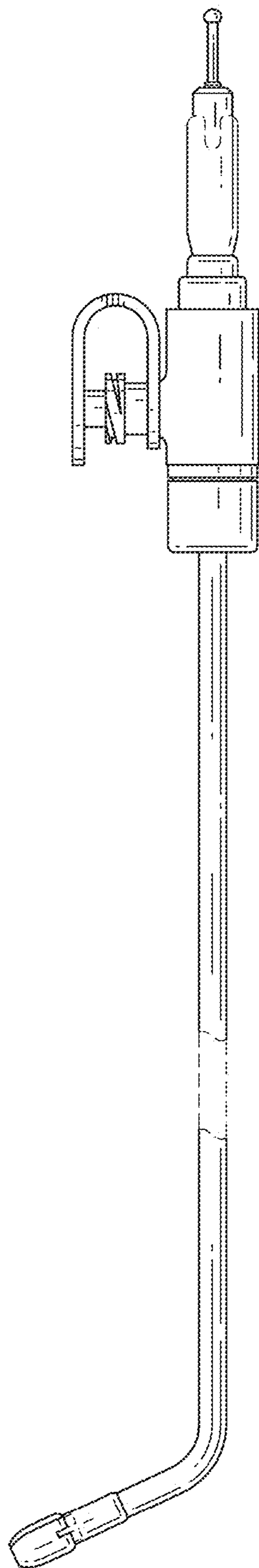


FIG.2

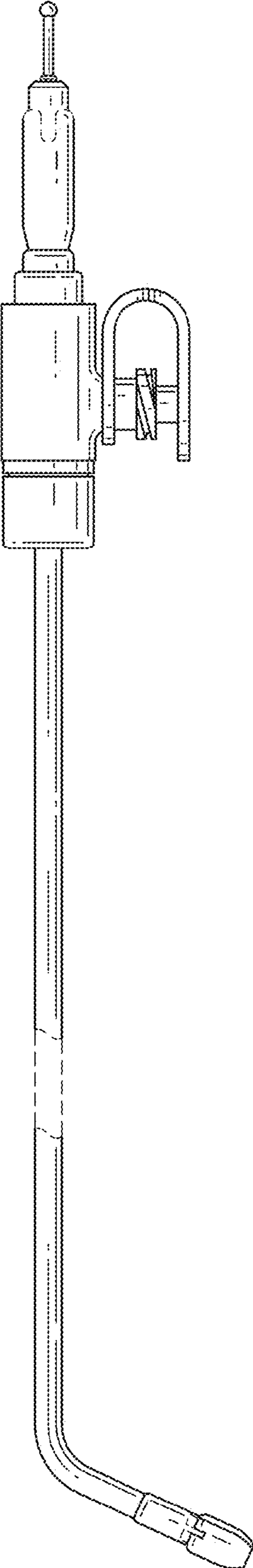


FIG.3

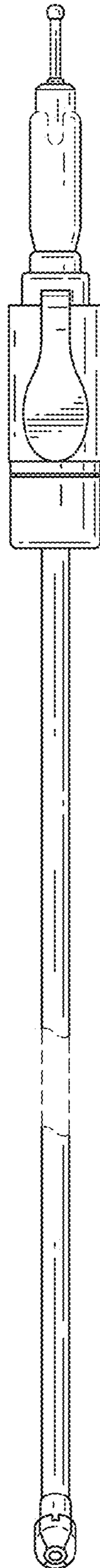


FIG.4

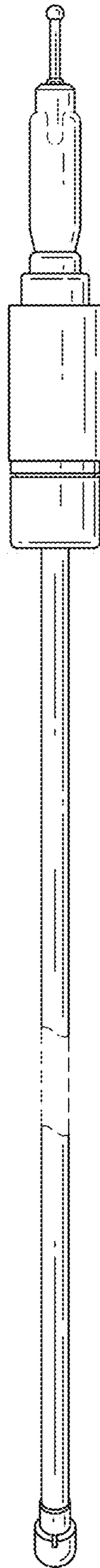


FIG.5

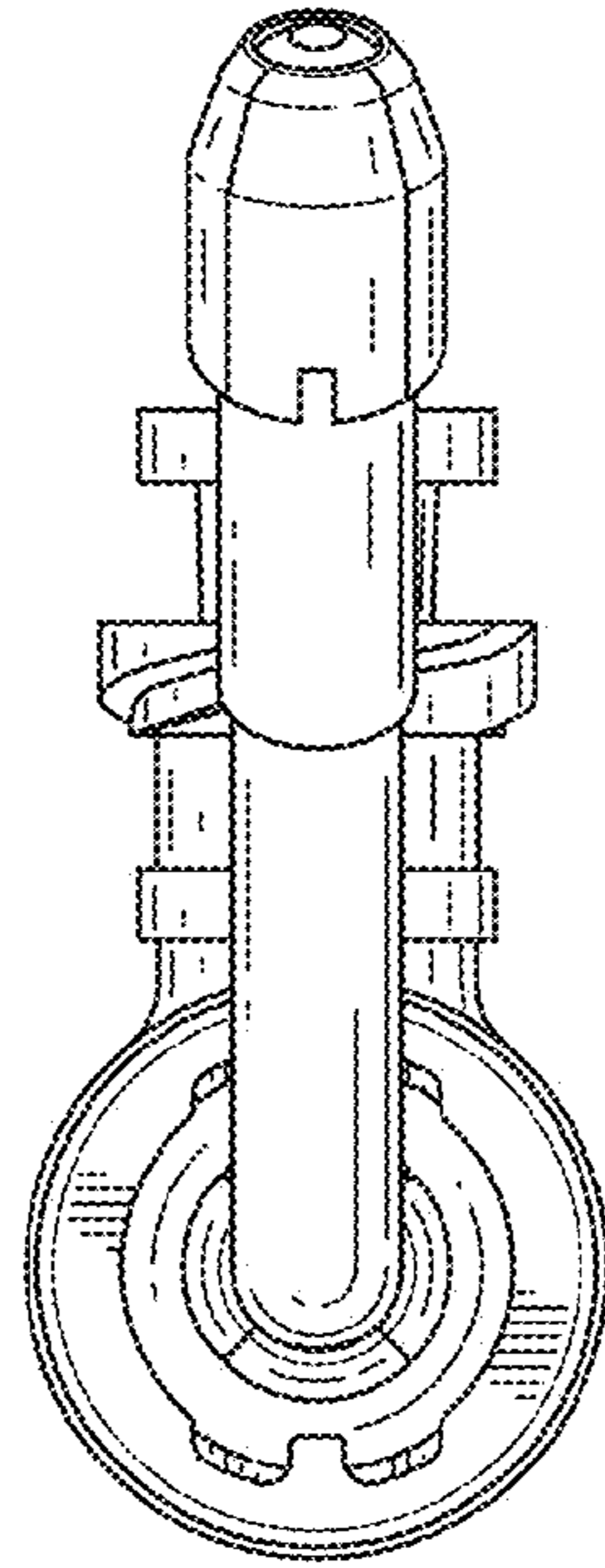


FIG. 6

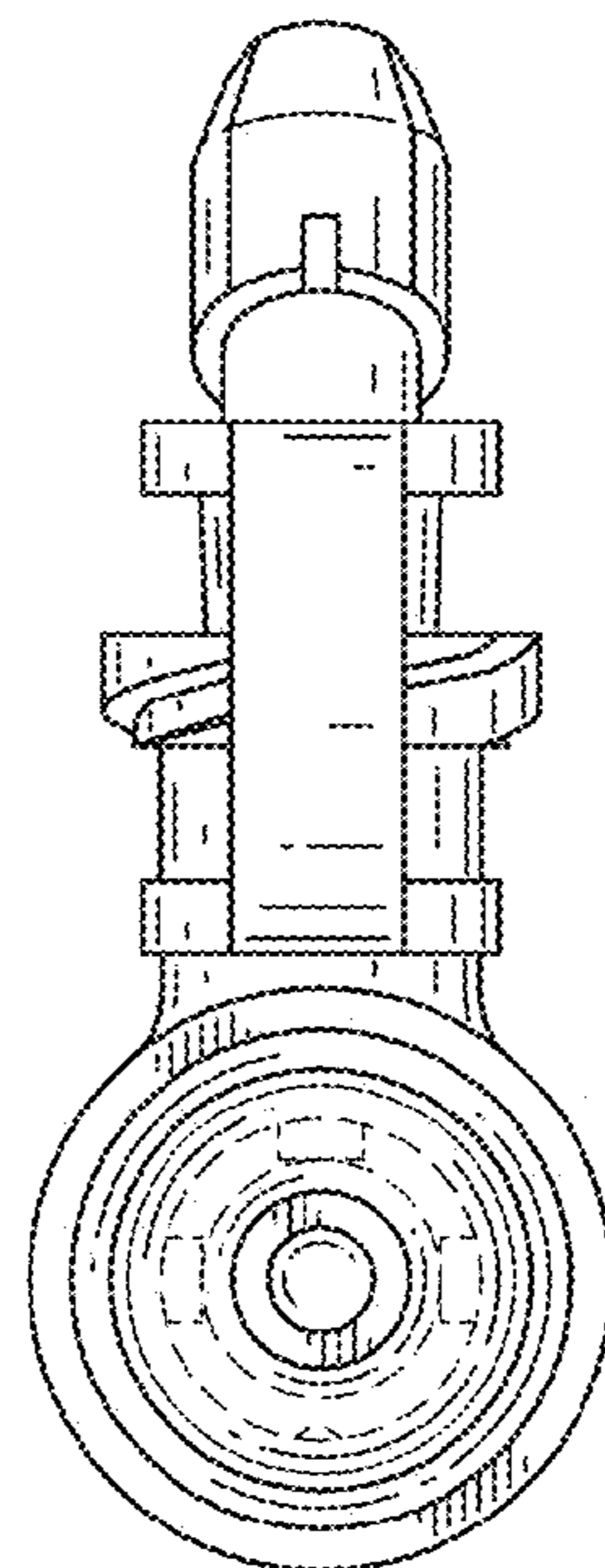


FIG. 7