

US00D755962S

(12) **United States Design Patent**  
**Adams et al.**

(10) **Patent No.:** **US D755,962 S**  
(45) **Date of Patent:** **\*\* May 10, 2016**

(54) **MEDICAL LINE ANCHOR**  
(71) Applicants: **Kyle S. Adams**, Dallas, TX (US);  
**Gordon E. Atkinson**, Black Mountain,  
NC (US)  
(72) Inventors: **Kyle S. Adams**, Dallas, TX (US);  
**Gordon E. Atkinson**, Black Mountain,  
NC (US)  
(73) Assignee: **iMed Technology, Inc.**, Dallas, TX (US)

5,372,589 A 12/1994 Davis  
5,707,348 A 1/1998 Krogh  
5,885,254 A 3/1999 Matyas  
D408,541 S 4/1999 Dunshee et al.  
6,117,163 A 9/2000 Bierman  
6,124,521 A 9/2000 Roberts  
6,213,979 B1 4/2001 Bierman  
6,224,571 B1 5/2001 Bierman  
6,413,240 B1\* 7/2002 Bierman et al. .... 604/174  
6,419,660 B1\* 7/2002 Russo ..... 604/180  
6,436,073 B1\* 8/2002 Von Teichert ..... 604/174  
D470,936 S 2/2003 Bierman  
D473,947 S 4/2003 Jacobson

(\*\*) Term: **14 Years**

(Continued)

(21) Appl. No.: **29/481,715**  
(22) Filed: **Feb. 10, 2014**  
(51) **LOC (10) Cl.** ..... **24-01**  
(52) **U.S. Cl.**  
USPC ..... **D24/128**  
(58) **Field of Classification Search**  
USPC ..... D24/127-130, 132, 188-189; 604/187,  
604/227, 180, 174; 602/58-59, 46, 41, 52;  
128/DIG. 26  
CPC ..... A61M 25/02; A61M 2025/0206;  
A61M 2025/024; A61M 2025/0266; A61M  
2025/028; A61M 2025/0246; Y10S 128/26  
See application file for complete search history.

FOREIGN PATENT DOCUMENTS

EP 1105182 B1 10/2004

OTHER PUBLICATIONS

IMED Technology Inc., Catheter Securement—IMed316, Jun. 4,  
2012, <http://www.imedtechnology.com/html/cath-secure.html>.\*

*Primary Examiner* — David Muller  
*Assistant Examiner* — Nathan Johnston  
(74) *Attorney, Agent, or Firm* — Stevens & Showalter, LLP

(56) **References Cited**

**DESCRIPTION**

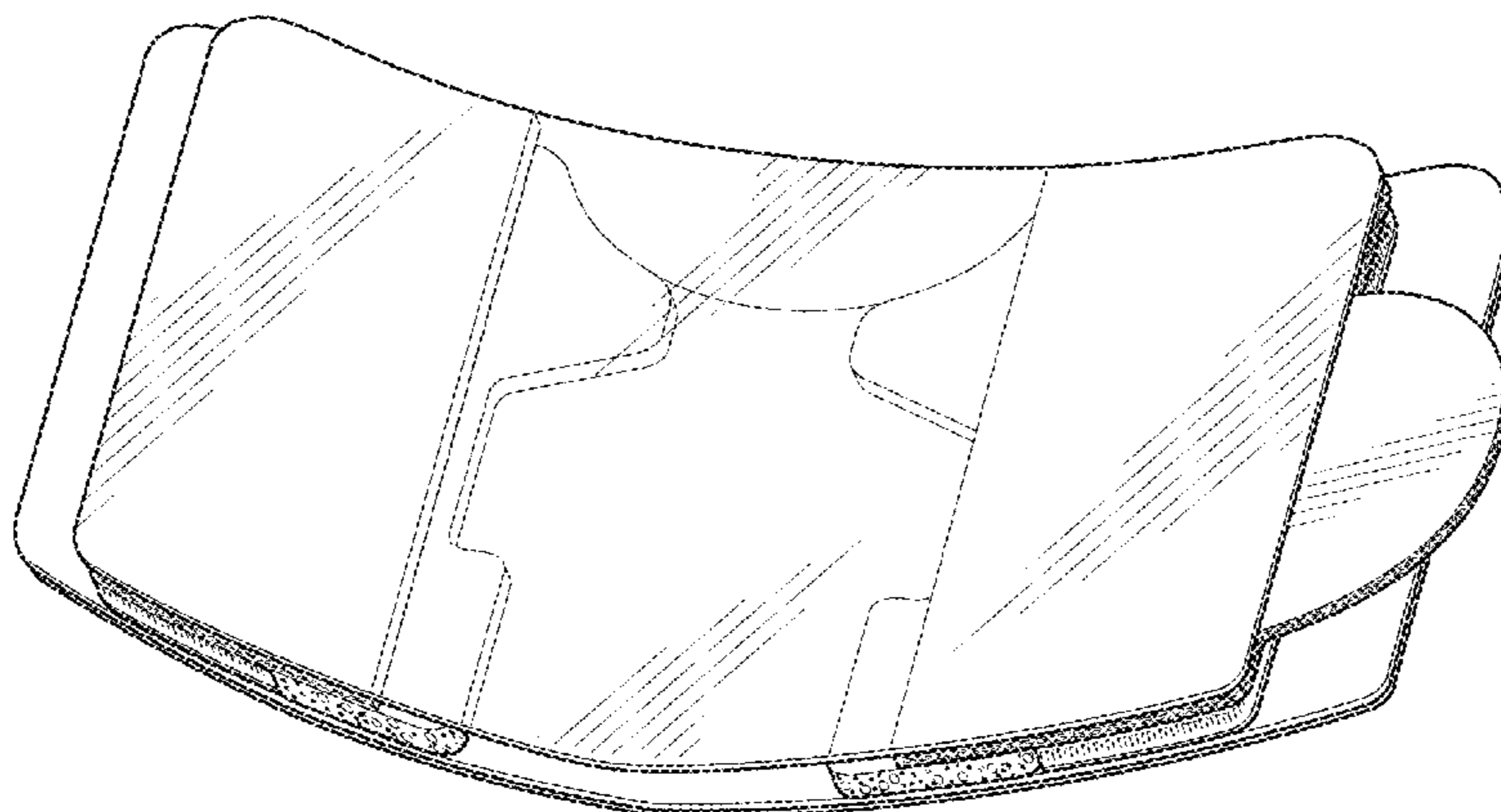
U.S. PATENT DOCUMENTS

2,734,503 A \* 2/1956 Doyle ..... 602/59  
3,782,377 A 1/1974 Rychlik  
3,900,026 A 8/1975 Wagner  
4,336,806 A \* 6/1982 Eldridge, Jr. .... 604/174  
4,633,863 A 1/1987 Filips et al.  
4,669,458 A 6/1987 Abraham et al.  
5,000,741 A 3/1991 Kalt  
5,037,397 A 8/1991 Kalt et al.  
5,098,399 A 3/1992 Tollini  
5,195,981 A 3/1993 Johnson  
5,266,401 A 11/1993 Tollini  
5,292,312 A 3/1994 Delk et al.  
5,342,317 A 8/1994 Claywell

(57) **CLAIM**  
The ornamental design for a medical line anchor, as shown  
and described.

FIG. 1 is a perspective view of a medical line anchor showing  
our new design;  
FIG. 2 is a top plan view thereof;  
FIG. 3 is a left side elevational view thereof;  
FIG. 4 is a right side elevational view thereof;  
FIG. 5 is a rear elevational view thereof;  
FIG. 6 is a front elevational view thereof;  
FIG. 7 is a bottom plan view thereof; and,  
FIG. 8 is perspective view similar to FIG. 1, with the trans-  
parent cover removed.

**1 Claim, 3 Drawing Sheets**



(56)

**References Cited**

U.S. PATENT DOCUMENTS

|                 |         |                      |               |
|-----------------|---------|----------------------|---------------|
| D492,411 S      | 6/2004  | Bierman              |               |
| D528,206 S      | 9/2006  | Bierman              |               |
| D563,552 S *    | 3/2008  | Bierman et al.       | ..... D24/128 |
| D572,824 S      | 7/2008  | Propp                |               |
| D616,091 S *    | 5/2010  | Kyvik et al.         | ..... D24/128 |
| D616,983 S *    | 6/2010  | Kyvik et al.         | ..... D24/128 |
| D625,018 S      | 10/2010 | Smith et al.         |               |
| 8,029,479 B2    | 10/2011 | Guthrie              |               |
| D672,464 S      | 12/2012 | Holm et al.          |               |
| D679,402 S      | 4/2013  | Conrad-Vlasak et al. |               |
| 8,419,689 B2    | 4/2013  | Fink et al.          |               |
| D683,858 S      | 6/2013  | Smith                |               |
| 8,500,698 B2 *  | 8/2013  | Kyvik et al.         | ..... 604/174 |
| D690,425 S *    | 9/2013  | Heinecke et al.      | ..... D24/189 |
| D692,153 S *    | 10/2013 | Inoo                 | ..... D24/189 |
| D695,901 S      | 12/2013 | Heinecke et al.      |               |
| D704,342 S *    | 5/2014  | Mori et al.          | ..... D24/189 |
| D715,926 S *    | 10/2014 | Suzuki et al.        | ..... D24/128 |
| 2007/0260187 A1 | 11/2007 | Hawkins              |               |
| 2009/0125003 A1 | 5/2009  | Hawkins              |               |
| 2013/0012883 A1 | 1/2013  | Fitzgerald et al.    |               |

\* cited by examiner

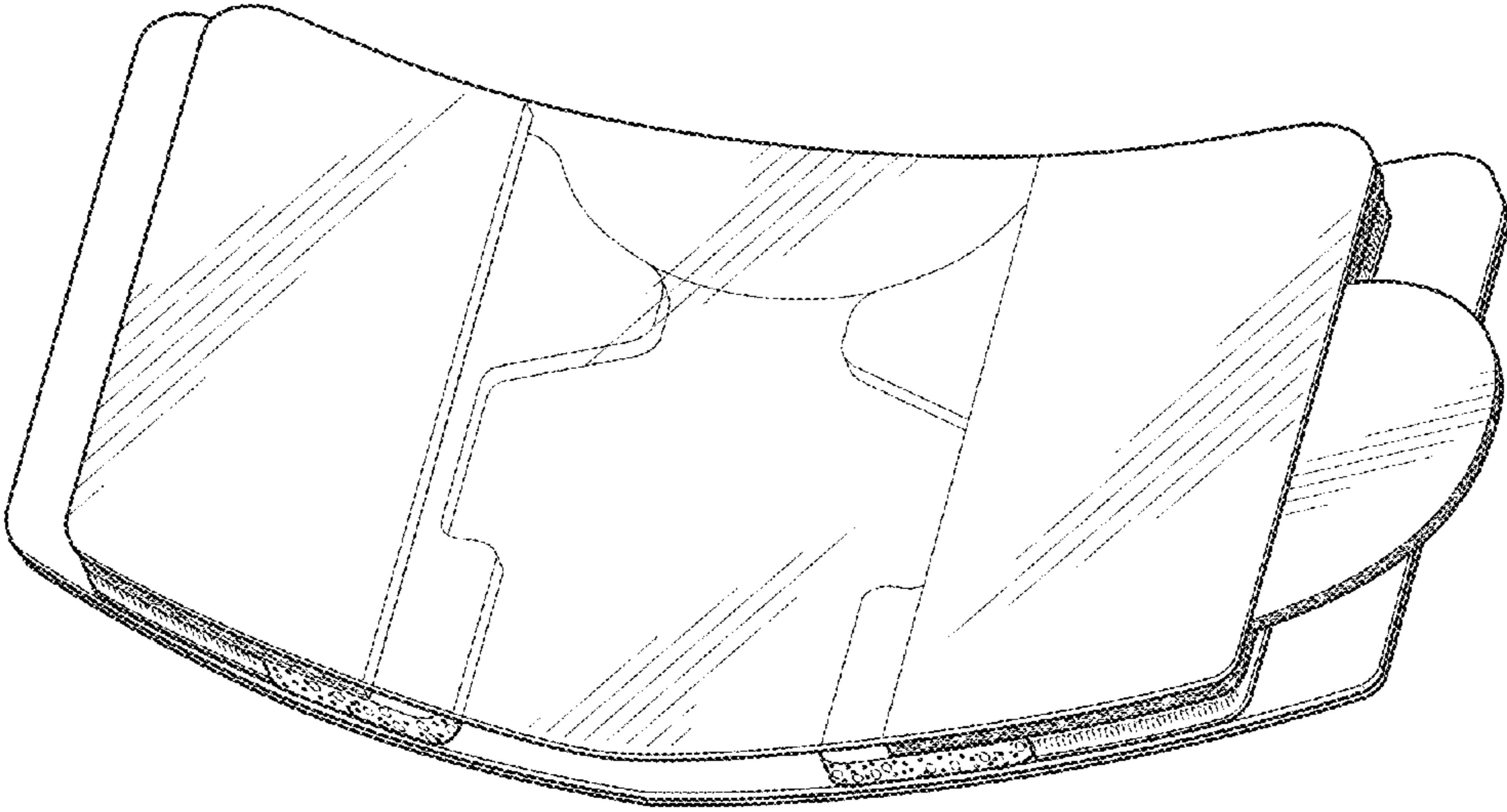


FIG. 1

FIG. 2

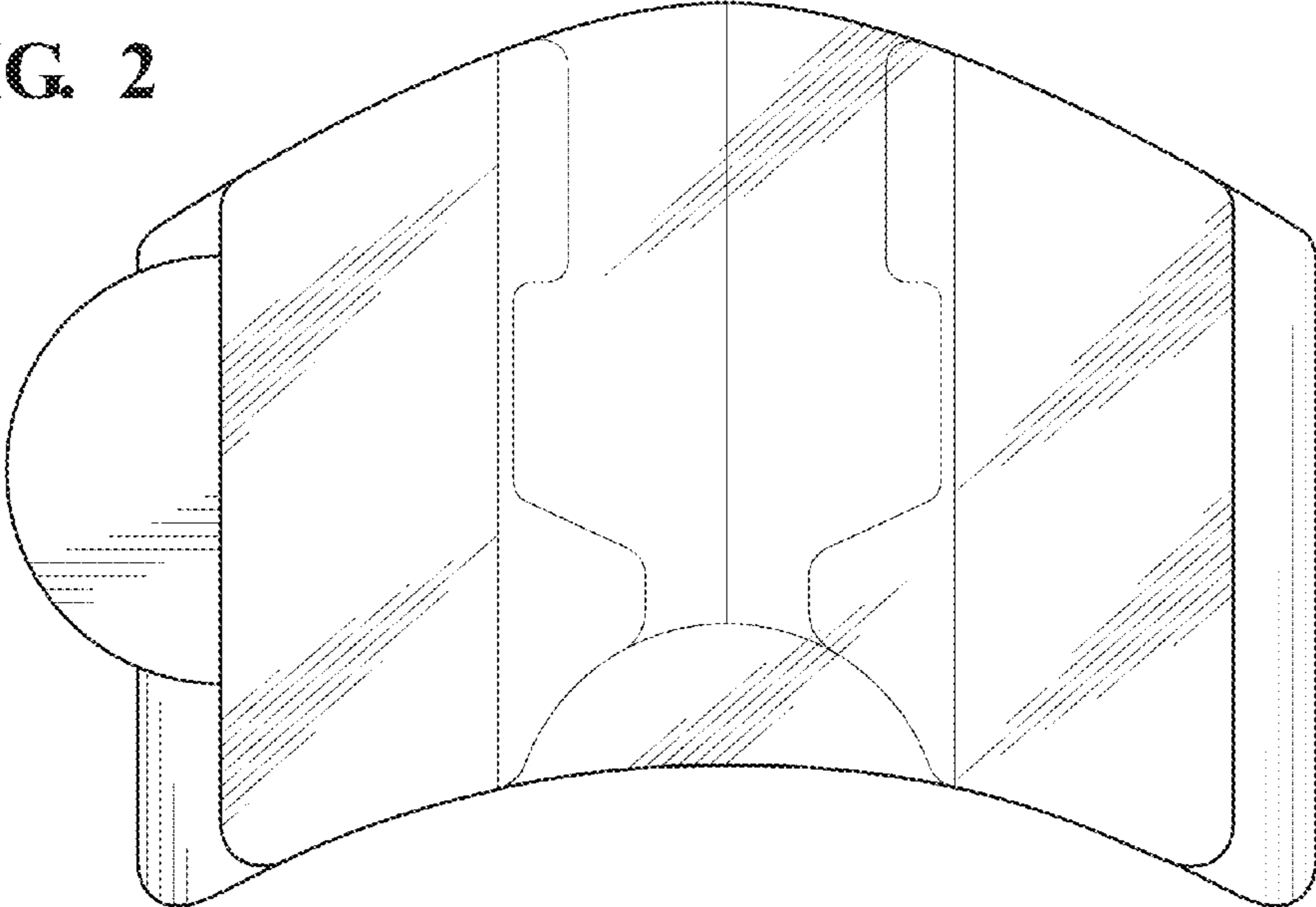




FIG. 3



FIG. 4



FIG. 5

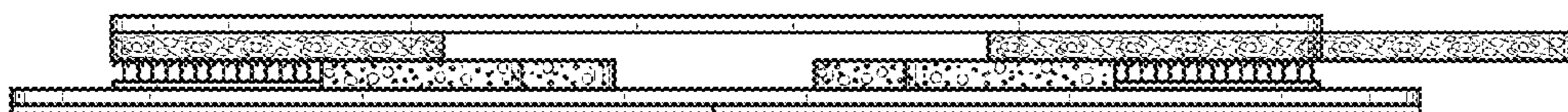


FIG. 6

FIG. 7

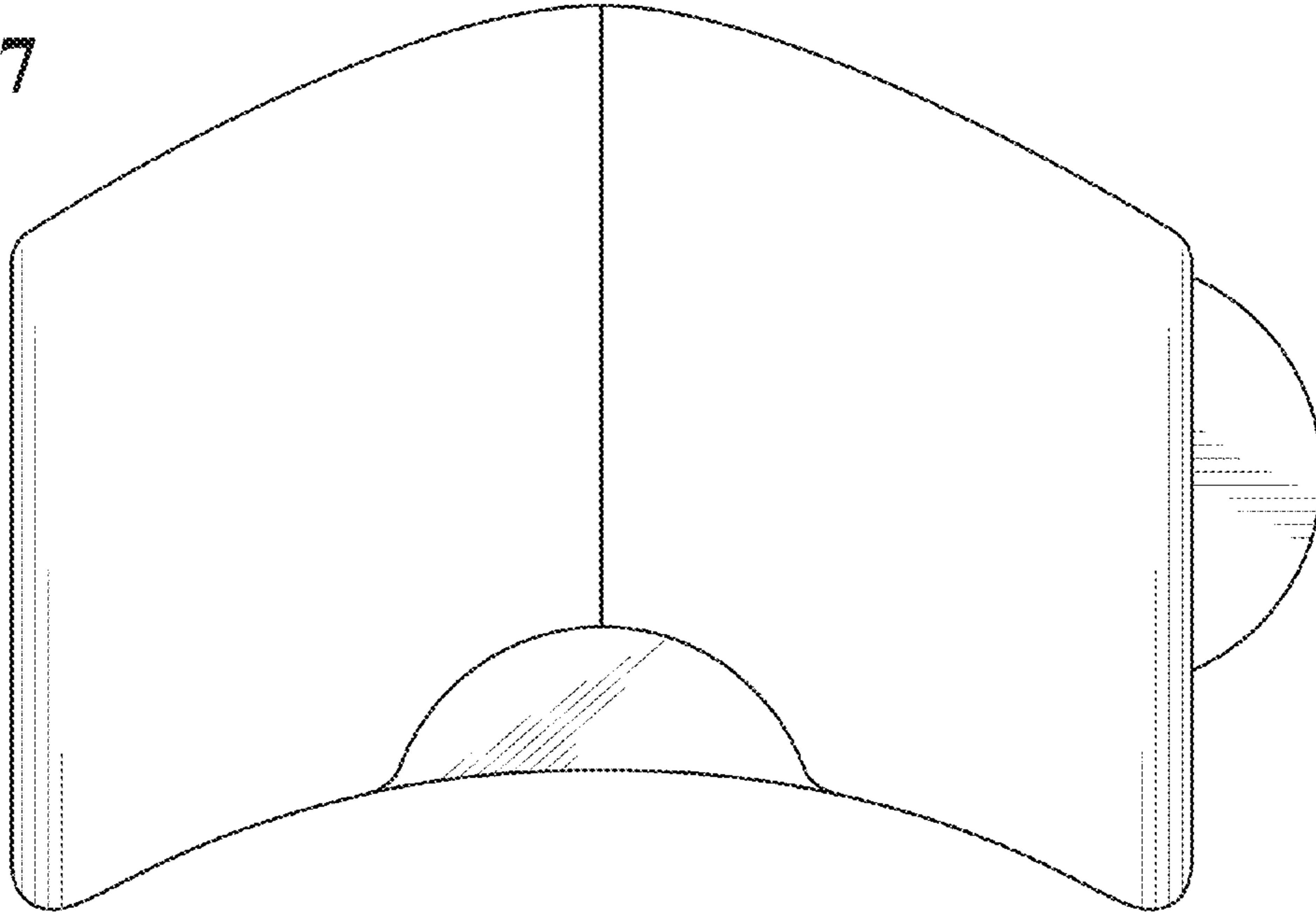


FIG. 8

