



US00D755957S

(12) **United States Design Patent**  
**Larson**

(10) **Patent No.:** **US D755,957 S**  
(45) **Date of Patent:** **\*\* May 10, 2016**

(54) **DENTAL CARPULE**  
(71) Applicant: **Bryan Larson**, North Salt Lake, UT  
(US)  
(72) Inventor: **Bryan Larson**, North Salt Lake, UT  
(US)

5,364,369 A 11/1994 Reynolds  
5,637,087 A 6/1997 O'Neil et al.  
5,665,068 A 9/1997 Takamura  
5,788,670 A 8/1998 Reinhard et al.  
5,935,101 A 8/1999 Kato et al.  
D447,797 S \* 9/2001 Odell et al. .... D24/112

(Continued)

(\*\*) Term: **14 Years**  
(21) Appl. No.: **29/476,562**  
(22) Filed: **Dec. 13, 2013**

**FOREIGN PATENT DOCUMENTS**

CA 2728126 12/2009  
CN 201618248 11/2010  
WO WO 00/29051 5/2000

**OTHER PUBLICATIONS**

International Search Report from related PCT/US2013/075179.

*Primary Examiner* — David Muller

(74) *Attorney, Agent, or Firm* — Pate Peterson PLLC; Brett Peterson

**Related U.S. Application Data**

(63) Continuation of application No. 14/106,555, filed on Dec. 13, 2013, now Pat. No. 9,055,992.  
(51) **LOC (10) Cl.** ..... **24-02**  
(52) **U.S. Cl.**  
USPC ..... **D24/121**  
(58) **Field of Classification Search**  
USPC ..... D24/127-131, 112-114, 133, 186;  
606/181, 185; 604/264, 272, 115, 232,  
604/187, 158, 164.08, 192, 263, 163, 181,  
604/184, 1, 98, 227; 600/101, 139, 143;  
128/200.24, 207.14, 207.15  
See application file for complete search history.

(57) **CLAIM**

I claim the ornamental design for the dental carpule, as shown and described.

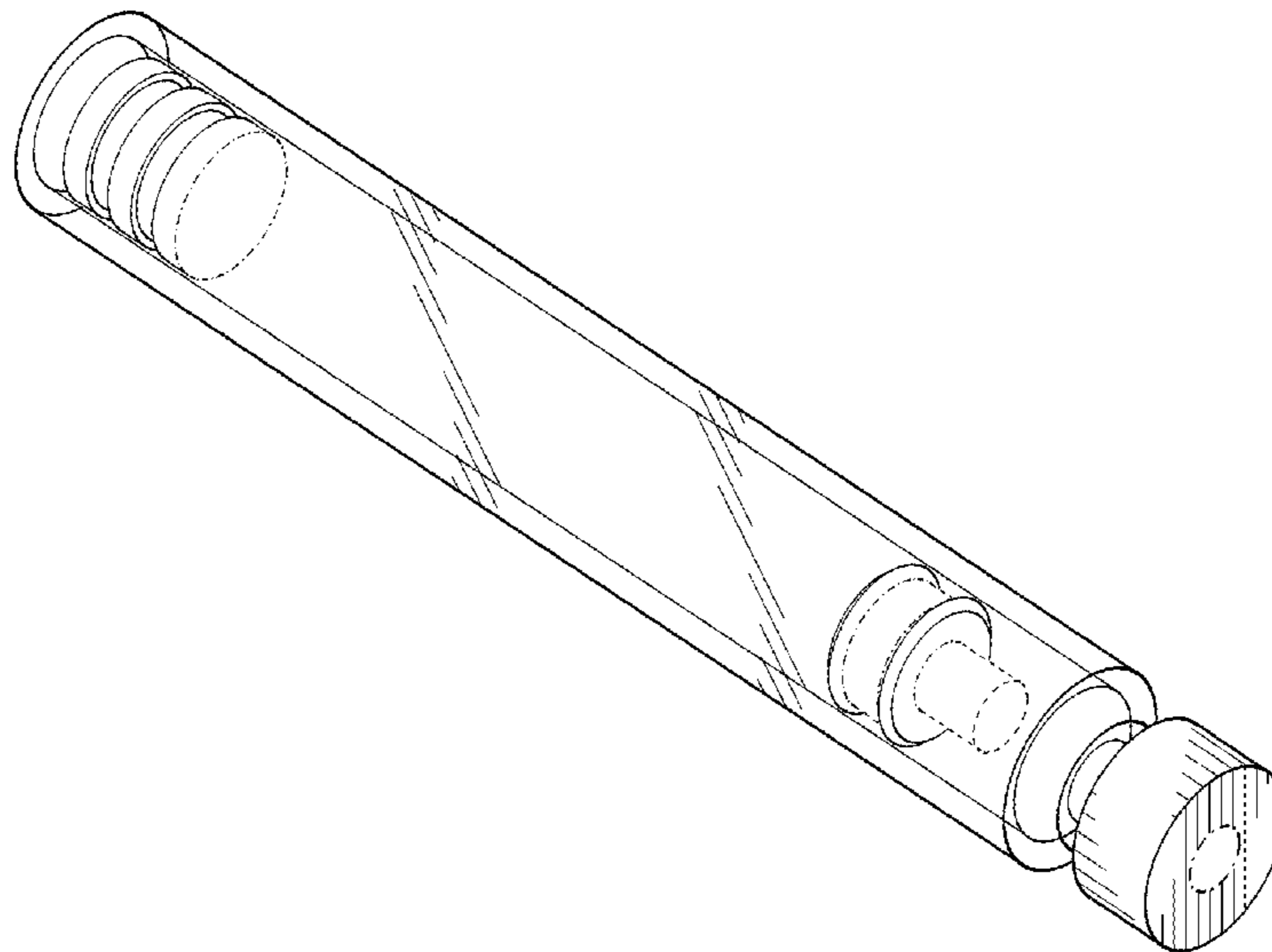
**DESCRIPTION**

FIG. 1 is a front perspective view of the dental carpule.  
FIG. 2 is a rear perspective view of the dental carpule.  
FIG. 3 is a top view of the dental carpule.  
FIG. 4 is a bottom view of the dental carpule.  
FIG. 5 is a left side view of the dental carpule.  
FIG. 6 is a right side view of the dental carpule.  
FIG. 7 is a back side view of the dental carpule; and,  
FIG. 8 is a front side view of the dental carpule.  
The broken line portions of the dental carpule are not claimed as part of the claimed design. The dot-dash lines show boundaries of the claimed design and are not claimed as part of the claimed design.

(56) **References Cited**  
U.S. PATENT DOCUMENTS

3,678,931 A 7/1972 Cohen  
3,923,058 A 12/1975 Weingarten  
4,439,184 A 3/1984 Wheeler  
4,702,737 A 10/1987 Pizzino  
4,792,329 A 12/1988 Schreuder  
4,861,335 A 8/1989 Reynolds  
4,886,495 A 12/1989 Reynolds  
5,069,670 A 12/1991 Vetter et al.  
5,102,388 A 4/1992 Richmond  
5,137,511 A 8/1992 Reynolds

**1 Claim, 8 Drawing Sheets**



(56)

**References Cited**

U.S. PATENT DOCUMENTS

D461,243 S *	8/2002	Niedospial, Jr. ....	D24/130	D695,892 S *	12/2013	Cappello et al. ....	D24/113
D461,555 S *	8/2002	Binet et al. ....	D24/114	D702,834 S *	4/2014	Norton et al. ....	D24/130
6,562,011 B1	5/2003	Buch-Rasmussen et al.		D713,028 S *	9/2014	Yevmenenko ....	D24/130
6,723,074 B1	4/2004	Halseth		D721,802 S *	1/2015	Ohashi ....	D24/113
D492,772 S *	7/2004	Austin .....	D24/110.6	D726,305 S *	4/2015	Furukawa .....	D24/114
6,764,471 B2	7/2004	Lee		2002/0147430 A1	10/2002	Collins et al.	
7,311,692 B2	12/2007	Kato et al.		2006/0178638 A1	8/2006	Reynolds	
D578,210 S *	10/2008	Muta et al. ....	D24/114	2006/0178644 A1	8/2006	Reynolds	
7,431,712 B2 *	10/2008	Kim .....	604/256	2007/0060876 A1	3/2007	Bassarab et al.	
D608,885 S *	1/2010	Sneddon et al. ....	D24/127	2008/0015522 A1	1/2008	Yeshurun et al.	
D674,086 S *	1/2013	Khalaj .....	D24/114	2009/0326475 A1	12/2009	Carlyon	
				2010/0262074 A1	10/2010	Seiferlein et al.	
				2010/0274186 A1	10/2010	Seiferlein et al.	
				2012/0265171 A1	10/2012	Thorne, Jr. et al.	

\* cited by examiner

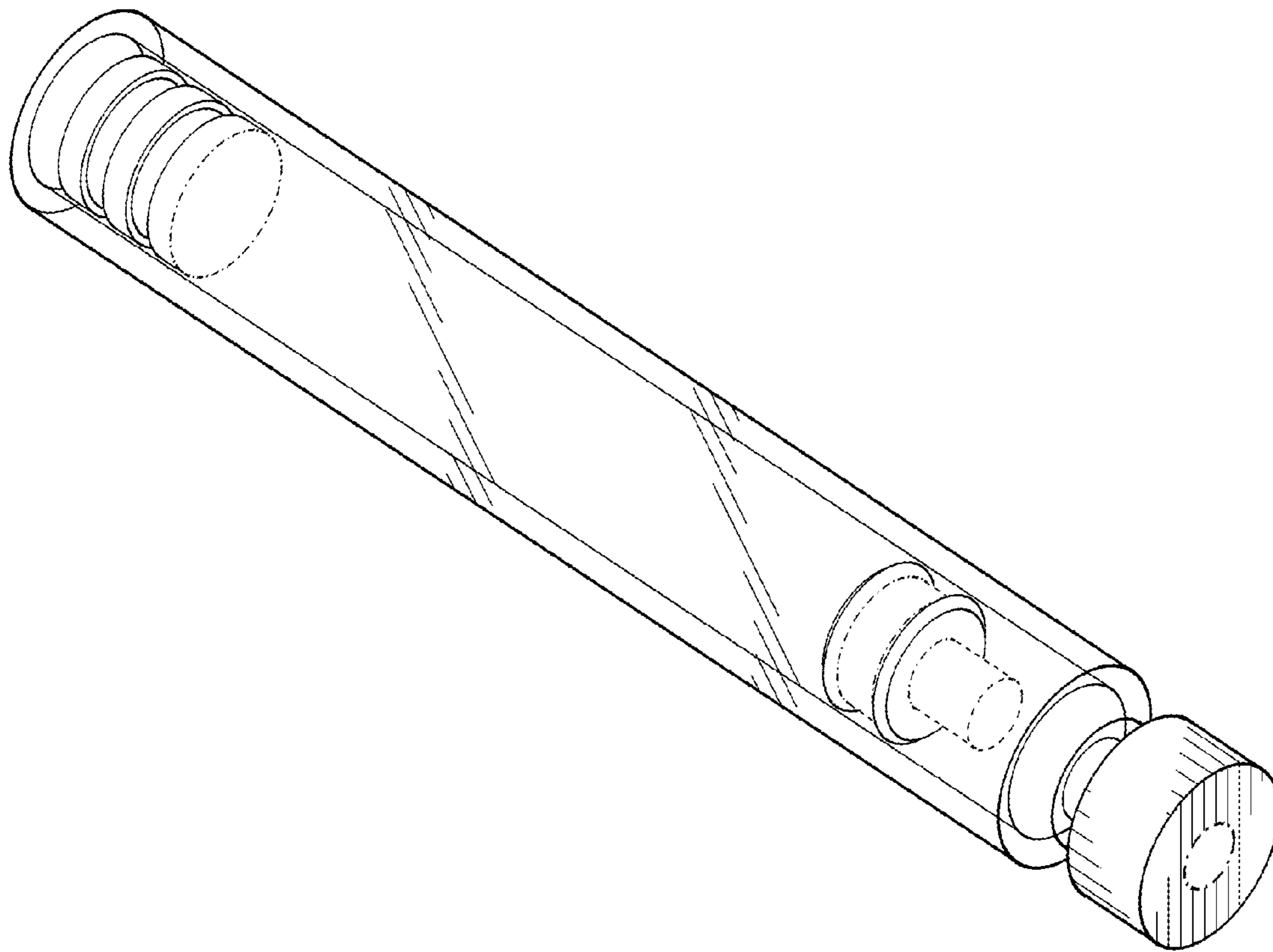


FIG. 1

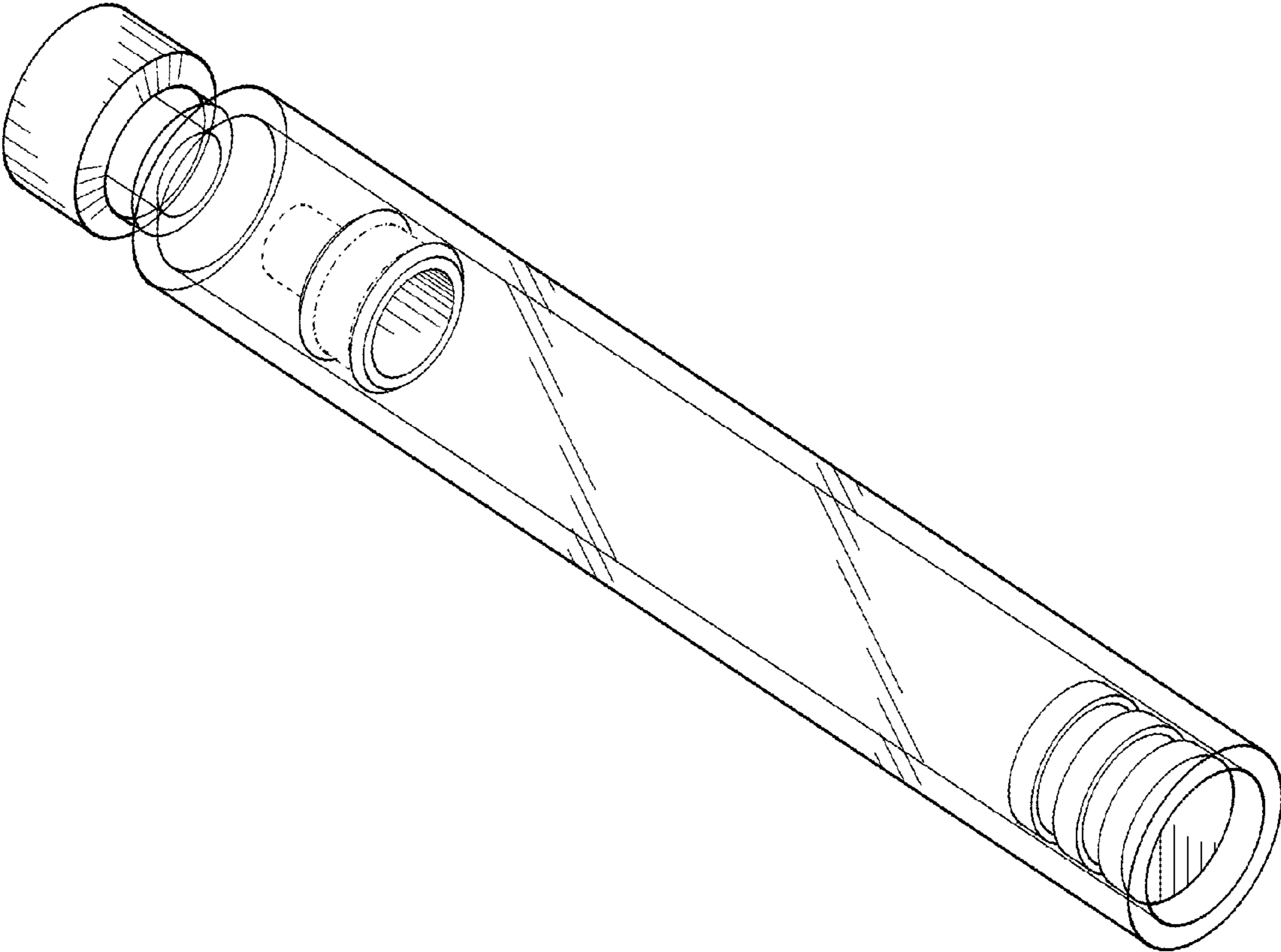


FIG. 2

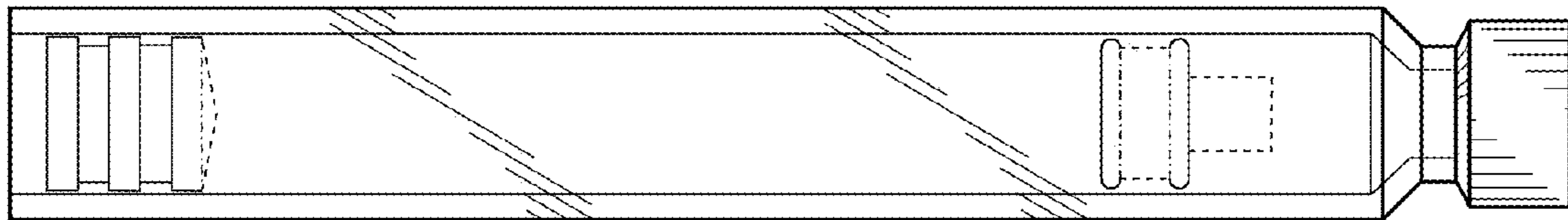


FIG. 3

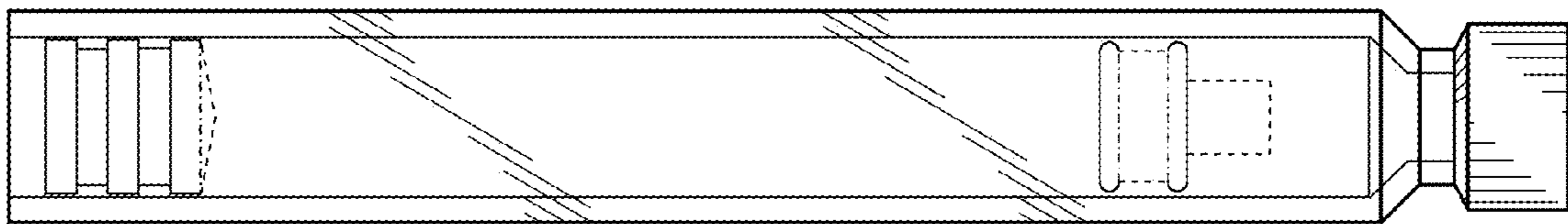


FIG. 4

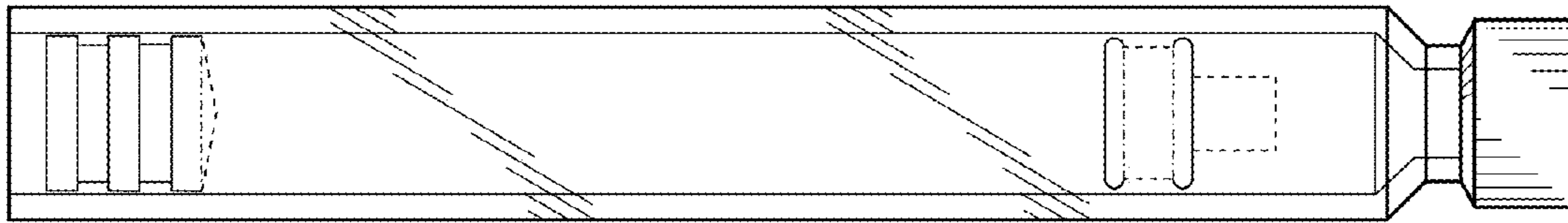


FIG. 5

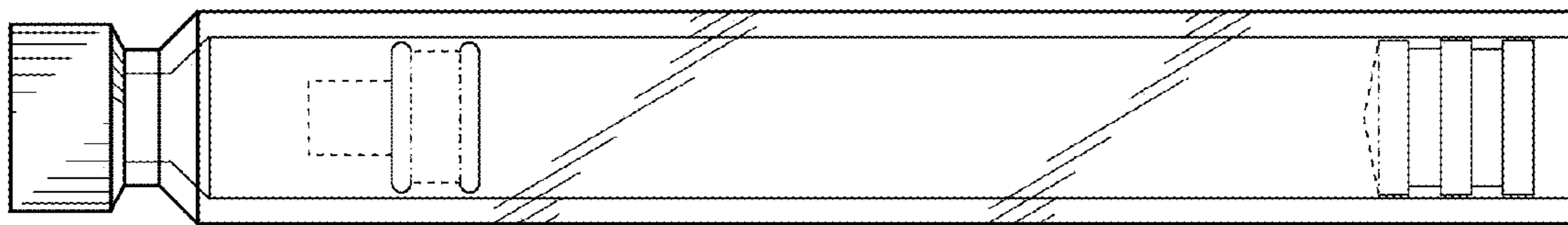


FIG. 6



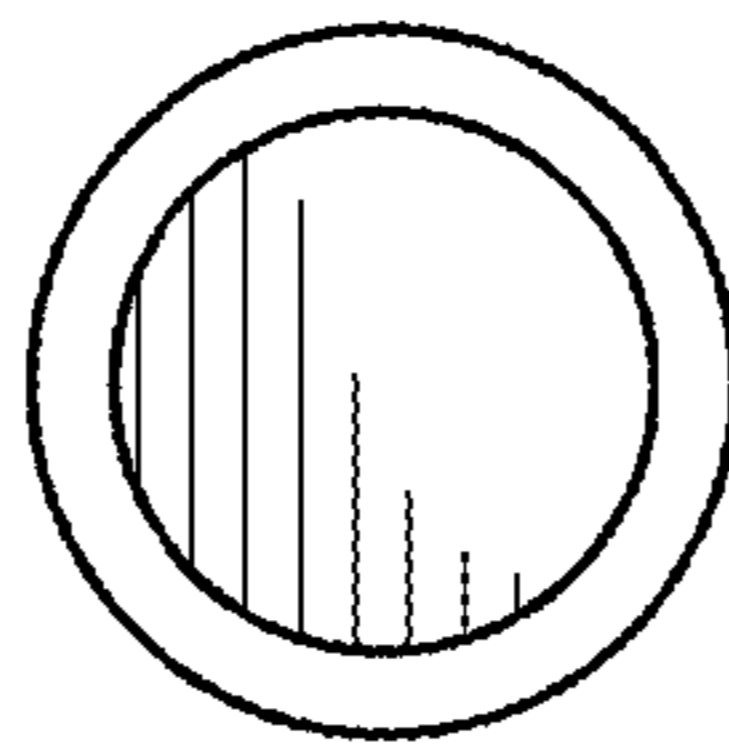


FIG. 7

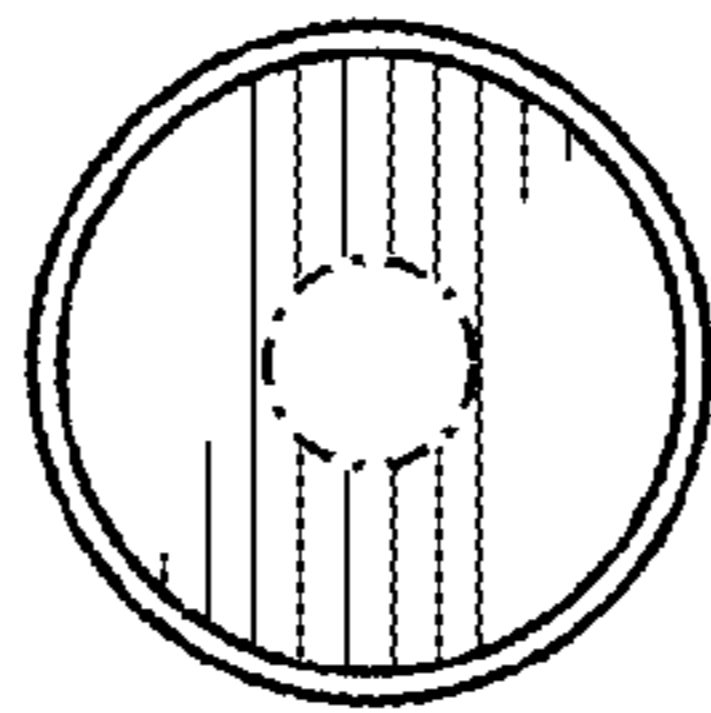


FIG. 8