



US00D755956S

(12) **United States Design Patent**  
**McLoughlin et al.**

(10) **Patent No.:** **US D755,956 S**  
(45) **Date of Patent:** **\*\* May 10, 2016**

(54) **CASSETTE DEVICE FOR ADMINISTERING MEDICATION**

(71) Applicant: **UCB Pharma S.A.**, Brussels (BE)  
(72) Inventors: **Martin John McLoughlin**, Burnham (GB); **Michael James David Heald**, Maidenhead (GB); **Darrell P. Morgan**, Auckland (NZ); **Kevin Richard Lozeau**, Port Melbourne (AU); **Agnete Enga**, Oslo (NO); **Daniel Formosa**, Piermont, NY (US); **Michael Schumann**, Marina Del Rey, CA (US); **Vincent Faivre d’Arcier**, New York, NY (US); **Ilario Melzi**, Milan (IT); **Stefan Verlaak**, Paderno d’Adda (IT); **Tatiana Palombi**, Cologno Monzese (IT)

(73) Assignee: **UCB Pharma S.A.**, Brussels (BE)

(\*\*) Term: **14 Years**

(21) Appl. No.: **29/519,404**

(22) Filed: **Mar. 4, 2015**

**Related U.S. Application Data**

(62) Division of application No. 29/438,990, filed on Dec. 5, 2012, now Pat. No. Des. 726,902.

(30) **Foreign Application Priority Data**

Jul. 30, 2012 (GB) ..... 1213498.7  
Jul. 30, 2012 (GB) ..... 1213500.0  
Jul. 30, 2012 (GB) ..... 1213502.6  
Jul. 30, 2012 (GB) ..... 1213503.4

(51) **LOC (10) Cl.** ..... **24-02**

(52) **U.S. Cl.**  
USPC ..... **D24/113**

(58) **Field of Classification Search**  
USPC ..... D24/112–114, 133, 186, 104, 130, 127;  
606/181, 185; 604/154, 156–158, 65,  
604/67, 192, 131, 135, 188

See application file for complete search history.

(56) **References Cited**

U.S. PATENT DOCUMENTS

2,966,910 A 1/1961 Camber  
3,395,704 A 8/1968 Fray et al.

(Continued)

FOREIGN PATENT DOCUMENTS

EP 0 518 416 A1 12/1992  
EP 0 824 923 A1 2/1998

(Continued)

OTHER PUBLICATIONS

International Search Report/Written Opinion PCT/EP2013/065940 dated Nov. 4, 2013.

(Continued)

*Primary Examiner* — Robert Delehanty

(74) *Attorney, Agent, or Firm* — Ropes & Gray LLP

(57) **CLAIM**

The ornamental design for a cassette device for administering medication, as shown and described.

**DESCRIPTION**

FIG. 1 is a perspective view of a cassette device for administering medication.

FIG. 2 is a front elevation view of the cassette device for administering medication.

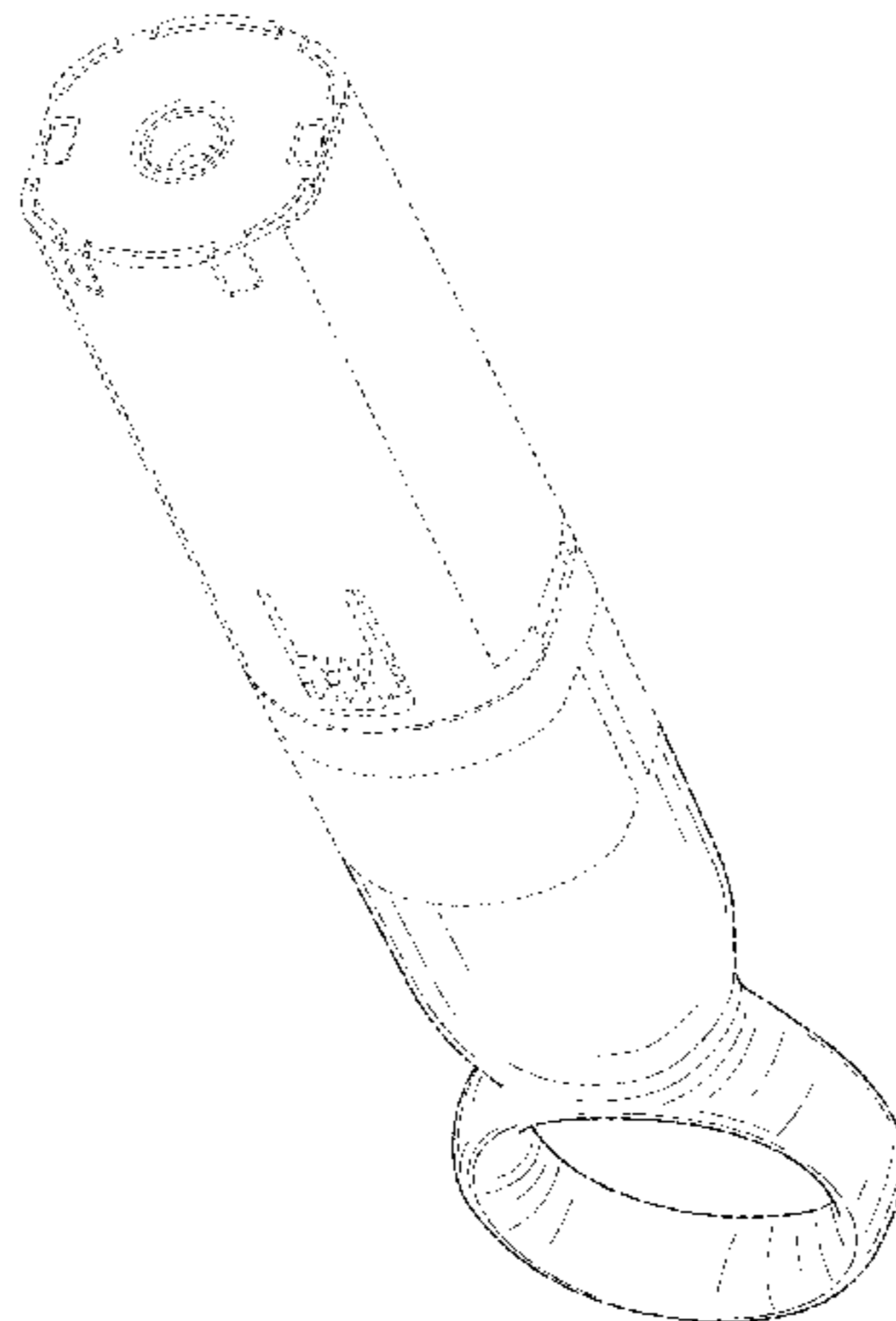
FIG. 3 is a side elevation view of the cassette device for administering medication.

FIG. 4 is a top plan view of the cassette device for administering medication; and,

FIG. 5 is a bottom plan view of the cassette device for administering medication.

The broken lines shown in the figures are for the purpose of illustrating certain portions of the cassette device for administering medication and form no part of the claimed design.

**1 Claim, 3 Drawing Sheets**



(56)

**References Cited**

U.S. PATENT DOCUMENTS

D439,657 S 3/2001 Bridle  
 6,368,307 B1 4/2002 Ziemba et al.  
 D484,244 S 12/2003 Starnes  
 D543,273 S 5/2007 Young et al.  
 7,811,260 B2 10/2010 Miller et al.  
 D636,088 S 4/2011 Loew et al.  
 D650,070 S 12/2011 Mori  
 D652,512 S 1/2012 Sherwood et al.  
 D652,513 S 1/2012 Sherwood et al.  
 D652,919 S 1/2012 Sherwood et al.  
 D671,638 S 11/2012 Young et al.  
 8,454,560 B2 6/2013 Strobl  
 8,469,922 B2 6/2013 Langley et al.  
 8,591,463 B1 11/2013 Cowe  
 D695,395 S 12/2013 Tani et al.  
 D695,396 S 12/2013 Tani et al.  
 D696,770 S 12/2013 Schneider et al.  
 8,834,429 B2 9/2014 Grant et al.  
 2009/0182284 A1 7/2009 Morgan  
 2010/0016795 A1 1/2010 McLoughlin  
 2014/0330203 A1 11/2014 McLoughlin et al.  
 2014/0330207 A1 11/2014 McLoughlin et al.  
 2014/0336587 A1 11/2014 McLoughlin et al.  
 2014/0336588 A1 11/2014 McLoughlin et al.  
 2014/0358072 A1 12/2014 McLoughlin et al.  
 2014/0358083 A1 12/2014 McLoughlin et al.  
 2014/0358084 A1 12/2014 McLoughlin et al.  
 2014/0358085 A1 12/2014 McLoughlin et al.

FOREIGN PATENT DOCUMENTS

EP 0 897 728 A1 2/1999  
 GB 2 437 922 A 11/2007  
 GB 2 438 593 A 12/2007  
 WO WO-01/37905 A2 5/2001  
 WO WO-02/09797 A1 2/2002  
 WO WO-02/100467 A2 12/2002  
 WO WO-03/101368 A2 12/2003  
 WO WO-03/101527 A1 12/2003  
 WO WO-2005/097233 A2 10/2005  
 WO WO-2006/091695 A1 8/2006  
 WO WO-2006/108026 A2 10/2006  
 WO WO-2009/040603 A1 4/2009  
 WO WO-2009/081103 A1 7/2009  
 WO WO-2009/087355 A1 7/2009  
 WO WO-2009/090499 A2 7/2009

WO WO-2009/143255 A1 11/2009  
 WO WO-2010/043533 A1 4/2010  
 WO WO-2010/136076 A1 12/2010  
 WO WO-2010/136078 A1 12/2010  
 WO WO-2010/139635 A1 12/2010  
 WO WO-2010/139793 A1 12/2010  
 WO WO-2010/147553 A1 12/2010  
 WO WO-2011/032960 A1 3/2011  
 WO WO-2011/051366 A2 5/2011  
 WO WO-2011/141907 A1 11/2011  
 WO WO-2012/064258 A1 5/2012

OTHER PUBLICATIONS

International Search Report/Written Opinion PCT/EP2013/065939 dated Nov. 18, 2013.  
 International Search Report/Written Opinion PCT/EP2013/065934 dated Nov. 22, 2013.  
 International Search Report/Written Opinion PCT/EP2013/065938 dated Nov. 29, 2013.  
 International Search Report/Written Opinion PCT/IB2012/001231 dated Nov. 15, 2012.  
 International Search Report/Written Opinion PCT/IB2012/001705 dated Dec. 4, 2012.  
 International Search Report/Written Opinion PCT/IB2012/001150 dated Dec. 7, 2012.  
 International Search Report/Written Opinion PCT/IB2012/001172 dated Dec. 7, 2012.  
 International Search Report/Written Opinion PCT/IB2012/001394 dated Dec. 7, 2012.  
 International Search Report/Written Opinion PCT/IB2012/001426 dated Dec. 7, 2012.  
 International Search Report/Written Opinion PCT/IB2012/001507 dated Feb. 4, 2013.  
 International Search Report/Written Opinion PCT/IB2012/002105 dated Feb. 4, 2013.  
 International Search Report/Written Opinion PCT/IB2012/001147 dated Feb. 11, 2013.  
 U.S. Appl. No. 29/438,989, filed Dec. 5, 2014, McLoughlin et al.  
 U.S. Appl. No. 14/123,050, filed Jul. 10, 2014, McLoughlin et al.  
 U.S. Appl. No. 29/438,989, filed Jan. 21, 2015, McLoughlin et al.  
 U.S. Appl. No. 29/438,990, filed Dec. 5, 2012, McLoughlin et al.  
 U.S. Appl. No. 14/418,437, filed Jan. 29, 2015, McLoughlin et al.  
 U.S. Appl. No. 14/418,438, filed Jan. 29, 2015, McLoughlin et al.  
 U.S. Appl. No. 14/418,440, filed Jan. 29, 2015, McLoughlin et al.  
 U.S. Appl. No. 14/418,441, filed Jan. 29, 2015, McLoughlin et al.

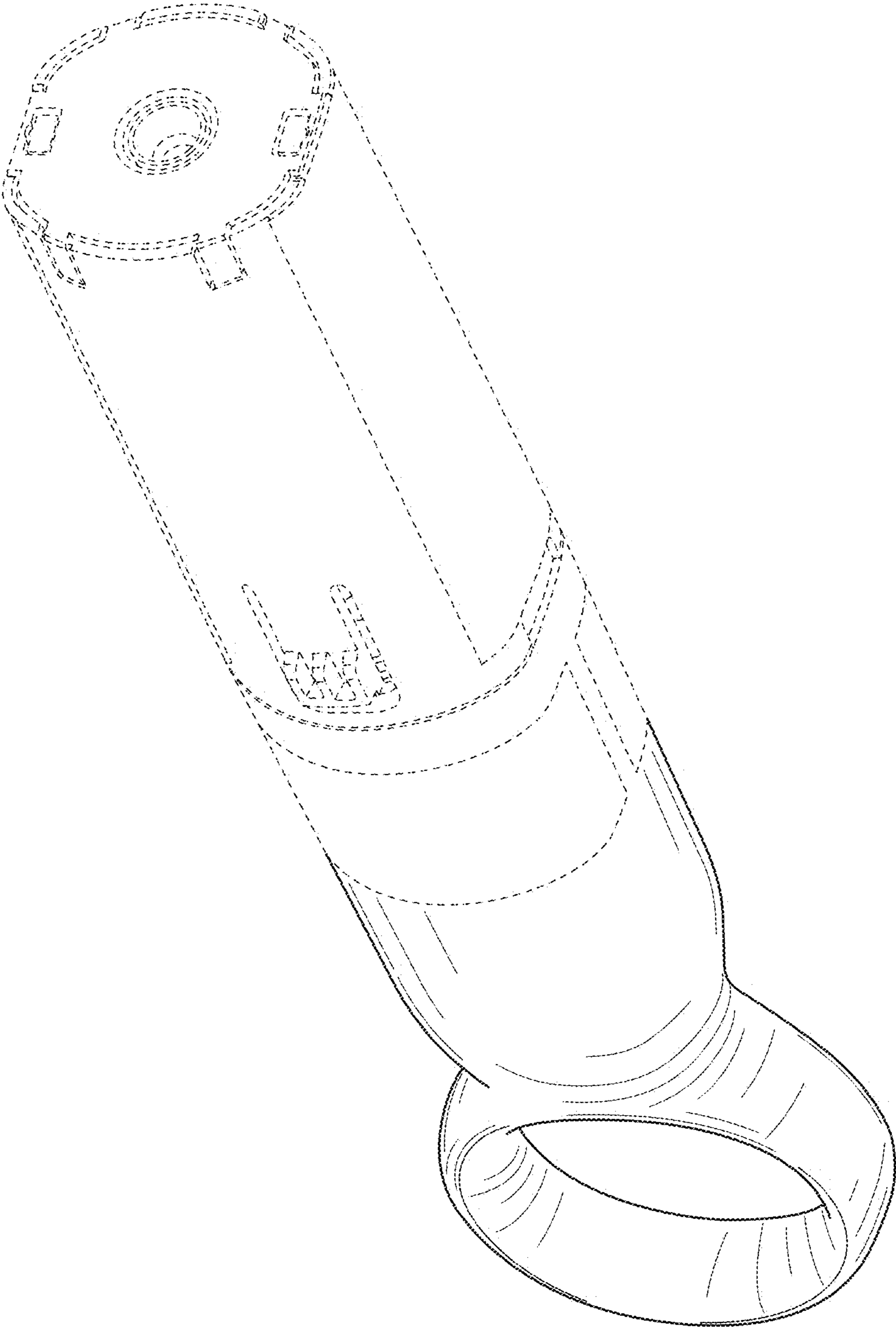
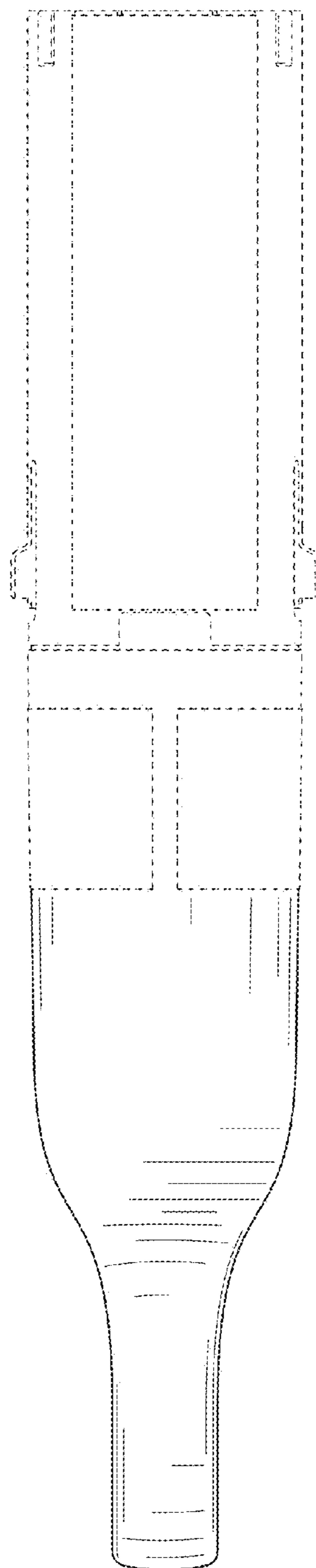
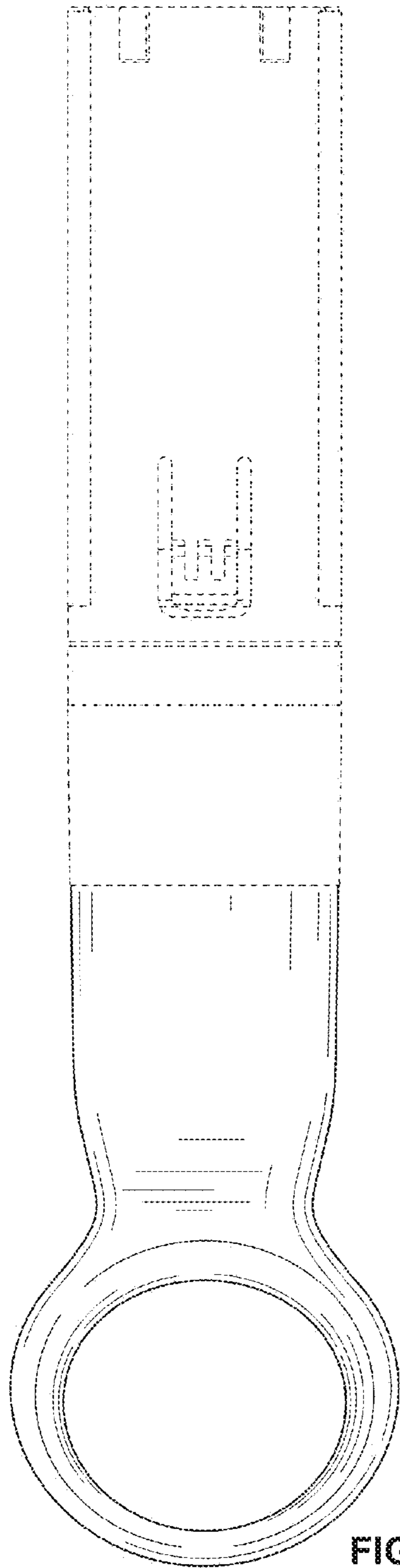


FIG. 1



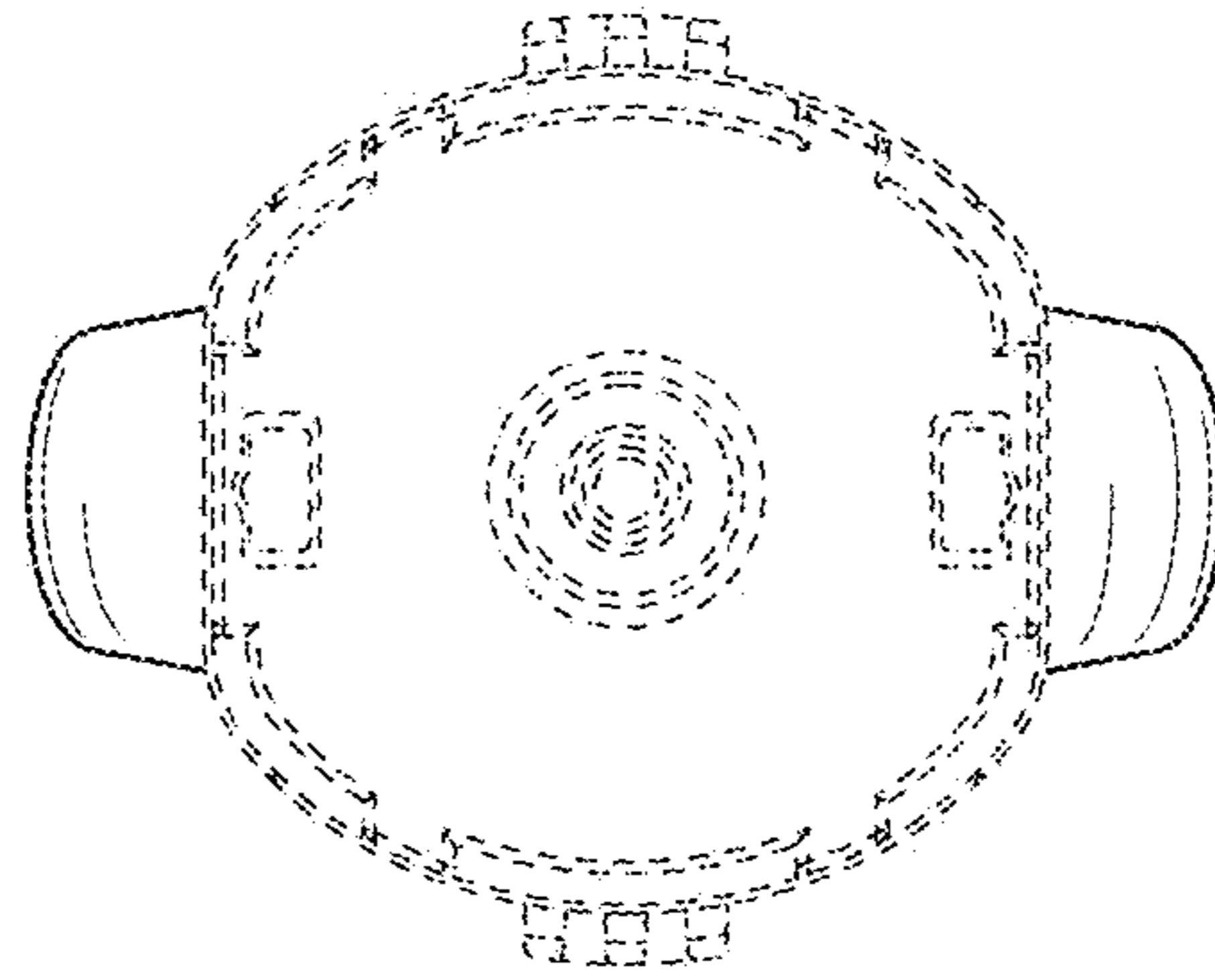


FIG. 4

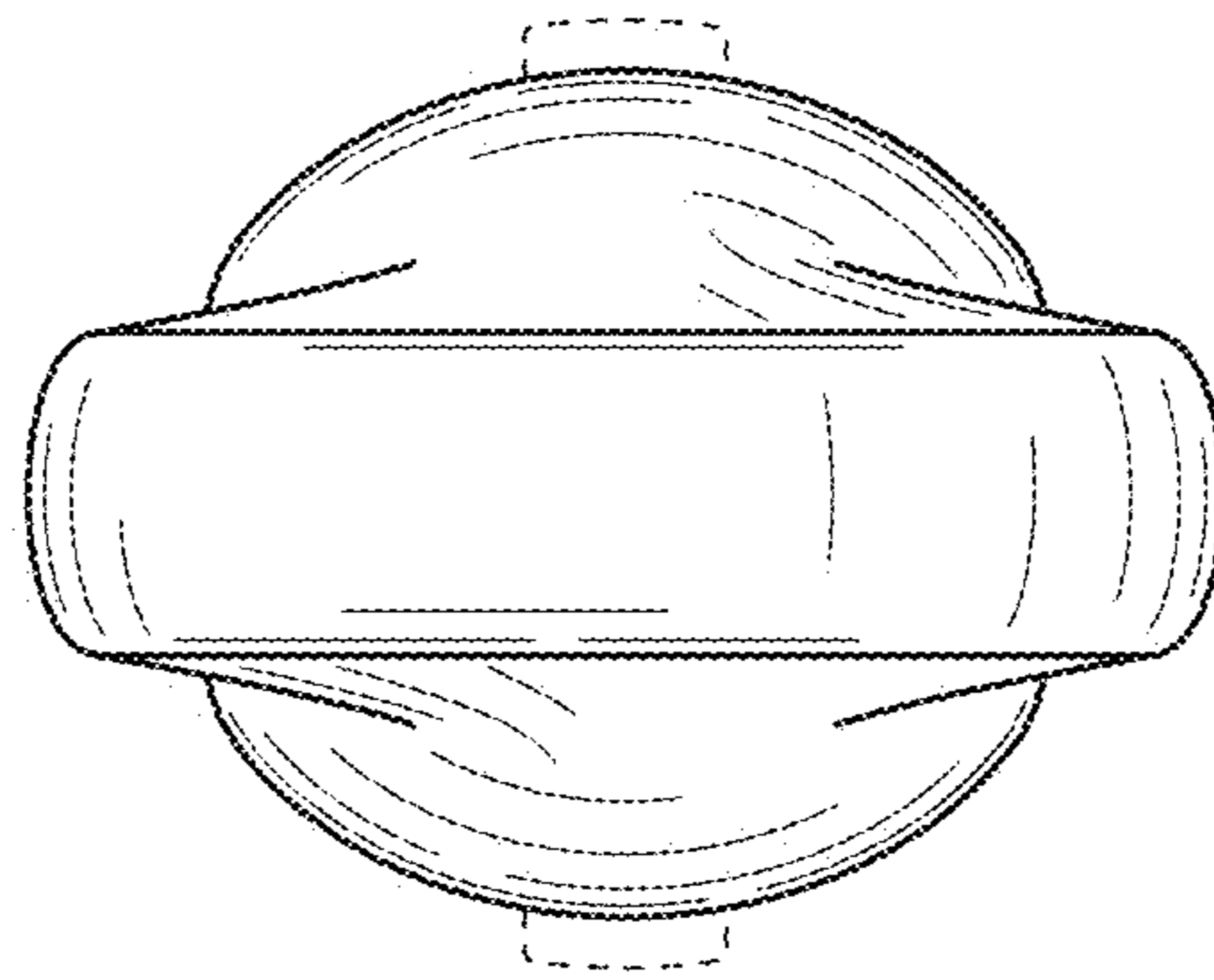


FIG. 5