



US00D755955S

(12) **United States Design Patent**
Kawamura

(10) **Patent No.:** **US D755,955 S**

(45) **Date of Patent:** **** May 10, 2016**

(54) **SYRINGE WITH A CAP**

(71) Applicant: **DAIKYO SEIKO, LTD.**, Tokyo (JP)

(72) Inventor: **Hideaki Kawamura**, Tokyo (JP)

(73) Assignee: **DAIKYO SEIKO, LTD.**, Tokyo (JP)

(**) Term: **14 Years**

(21) Appl. No.: **29/510,541**

(22) Filed: **Dec. 1, 2014**

(30) **Foreign Application Priority Data**

Jun. 4, 2014 (JP) 2014-012036

(51) **LOC (10) Cl.** **24-02**

(52) **U.S. Cl.**
USPC **D24/112**

(58) **Field of Classification Search**
USPC D24/112–114, 108, 133, 130, 127, 186;
606/181, 185; 604/264, 272, 187, 181,
604/184, 227
CPC A61M 5/178; A61M 3/00; A61M 5/20;
A61M 5/31; A61M 5/3146; A61M 5/3129;
A61M 5/3148; A61M 5/315
See application file for complete search history.

(56) **References Cited**

U.S. PATENT DOCUMENTS

D335,344 S * 5/1993 Hastings D24/114
D383,205 S * 9/1997 Pagay D24/112
D401,324 S * 11/1998 Hjertman D24/114
D419,671 S * 1/2000 Jansen D24/112
D545,429 S * 6/2007 Hays D24/114
D574,954 S * 8/2008 Smith D24/114
D578,210 S * 10/2008 Muta D24/114
D585,983 S * 2/2009 Wang D24/114

D674,086 S * 1/2013 Khalaj D24/114
D721,803 S * 1/2015 Dubach D24/114
D729,931 S * 5/2015 Takeuchi D24/114
D739,524 S * 9/2015 Zemel D24/114
D741,476 S * 10/2015 Hiraoka D24/114

* cited by examiner

Primary Examiner — David Muller

(74) *Attorney, Agent, or Firm* — Cermak Nakajima & McGowan LLP; Tomoko Nakajima

(57) **CLAIM**

The ornamental design for a syringe with a cap, as shown and described.

DESCRIPTION

FIG. 1 is a front elevational view of a syringe with a cap showing my new design, wherein the cap is made of translucent material and the syringe is made of transparent material; FIG. 2 is a rear elevation view thereof; FIG. 3 is a top plan view thereof; a bottom plan view being a mirror image; FIG. 4 is a right side elevation view thereof; FIG. 5 is a left side elevation view thereof; FIG. 6 is a cross sectional view thereof taken along the line 6-6 in FIG. 1. FIG. 7 is a left side perspective view thereof; FIG. 8 is a right side perspective view thereof. FIG. 9 is an enlarged left side perspective view thereof showing the cap part only; FIG. 10 is an enlarged right side perspective view thereof showing the cap part only; and, FIG. 11 is a referential enlarged cross sectional view thereof showing the cap part and a tip only.

1 Claim, 11 Drawing Sheets

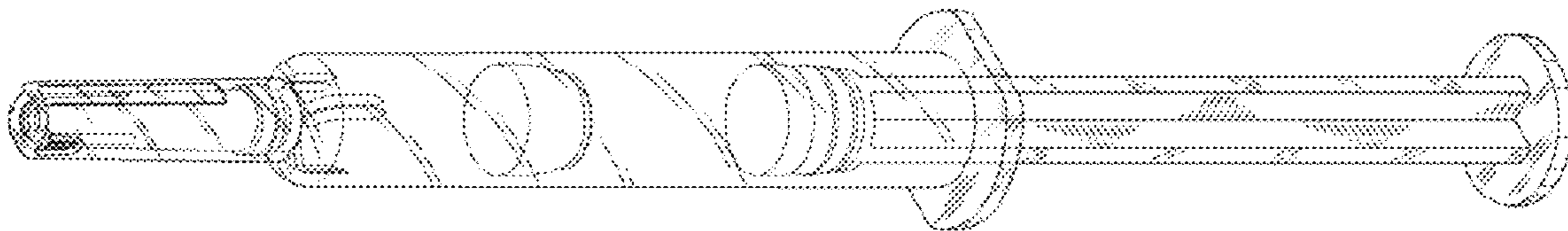


FIG. 1

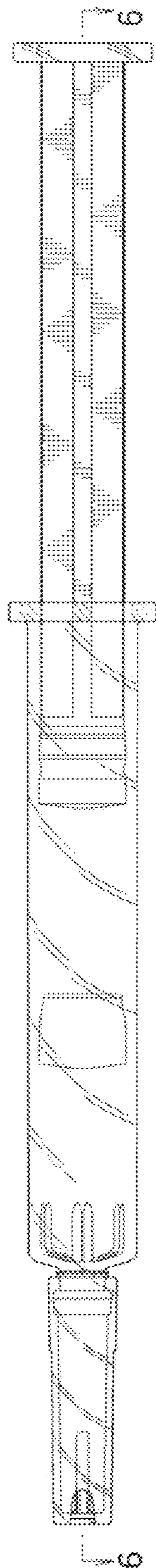


FIG. 2

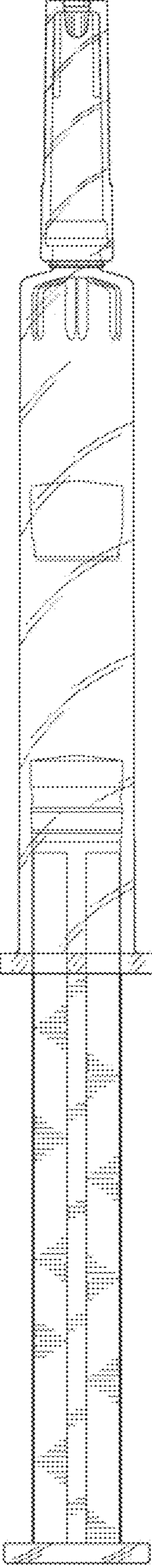


FIG. 3

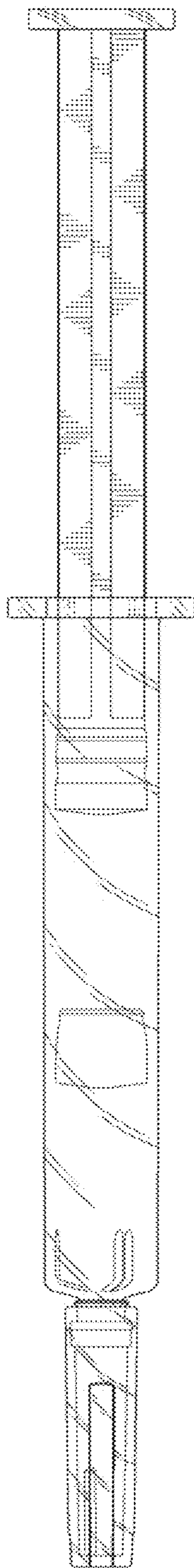


FIG. 4

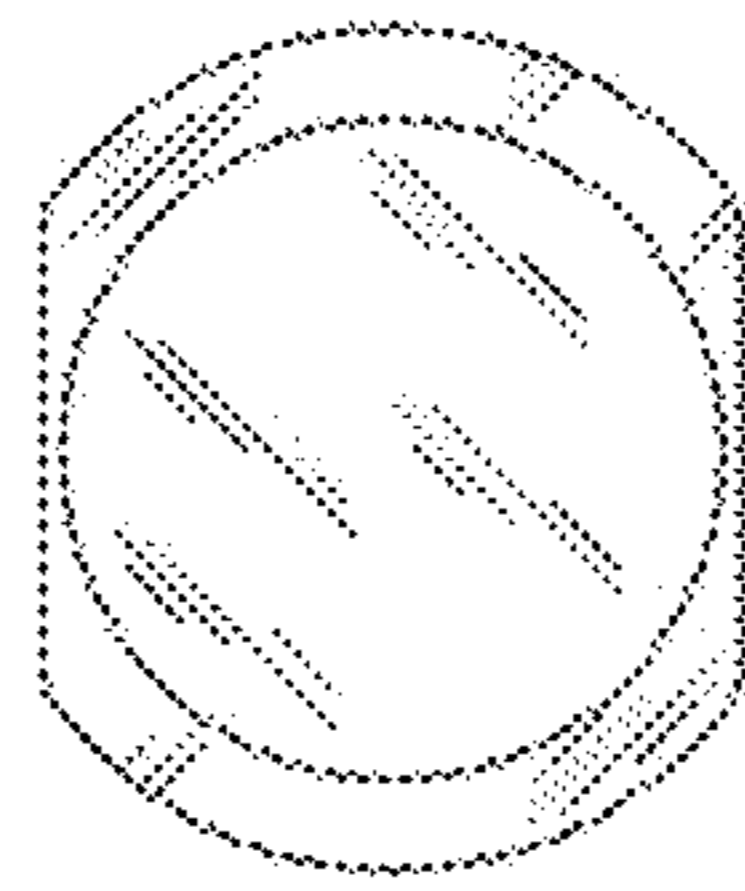


FIG. 5

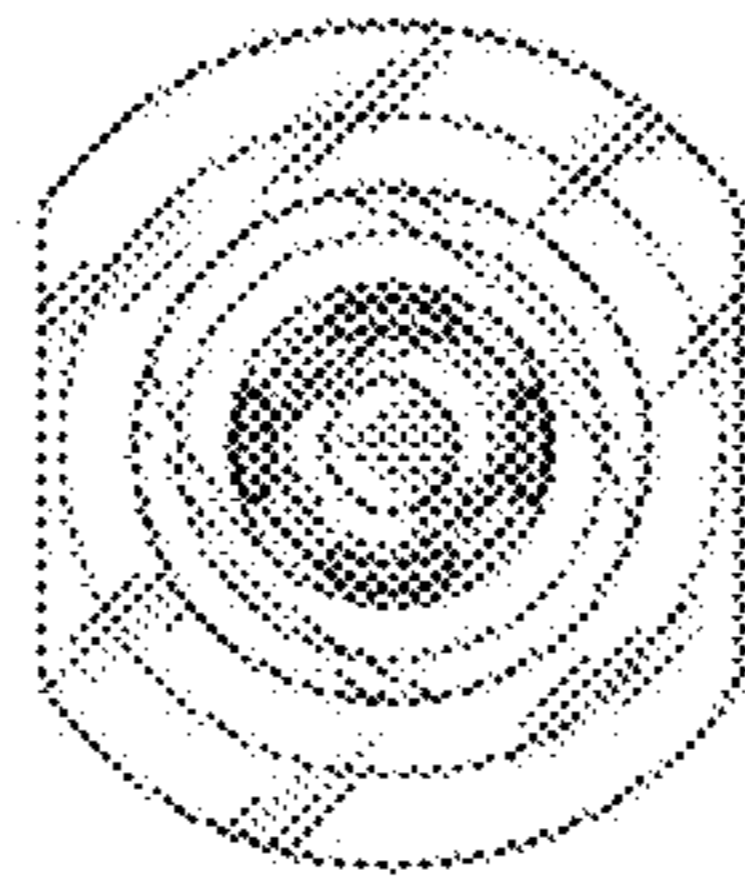


FIG. 6

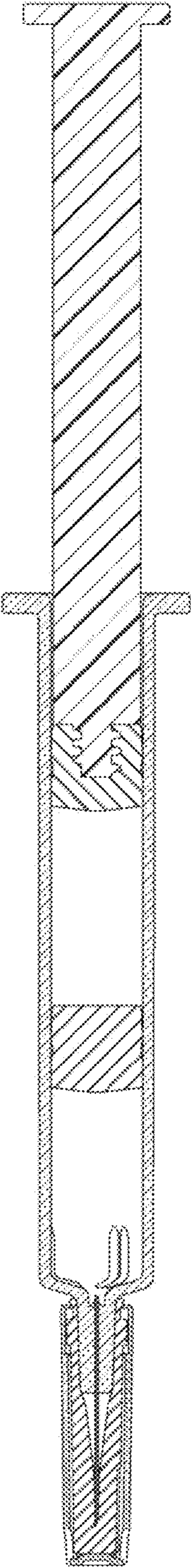


FIG. 7

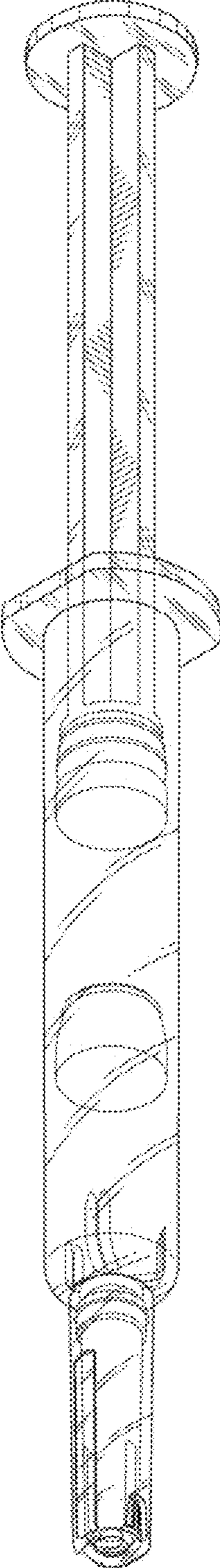


FIG. 8

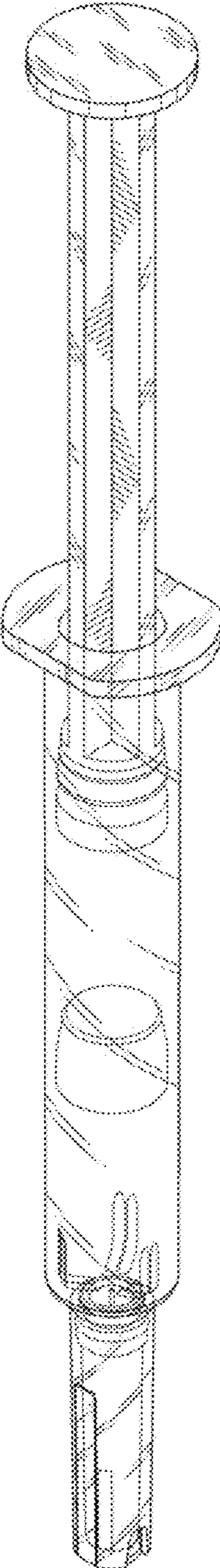


FIG. 9

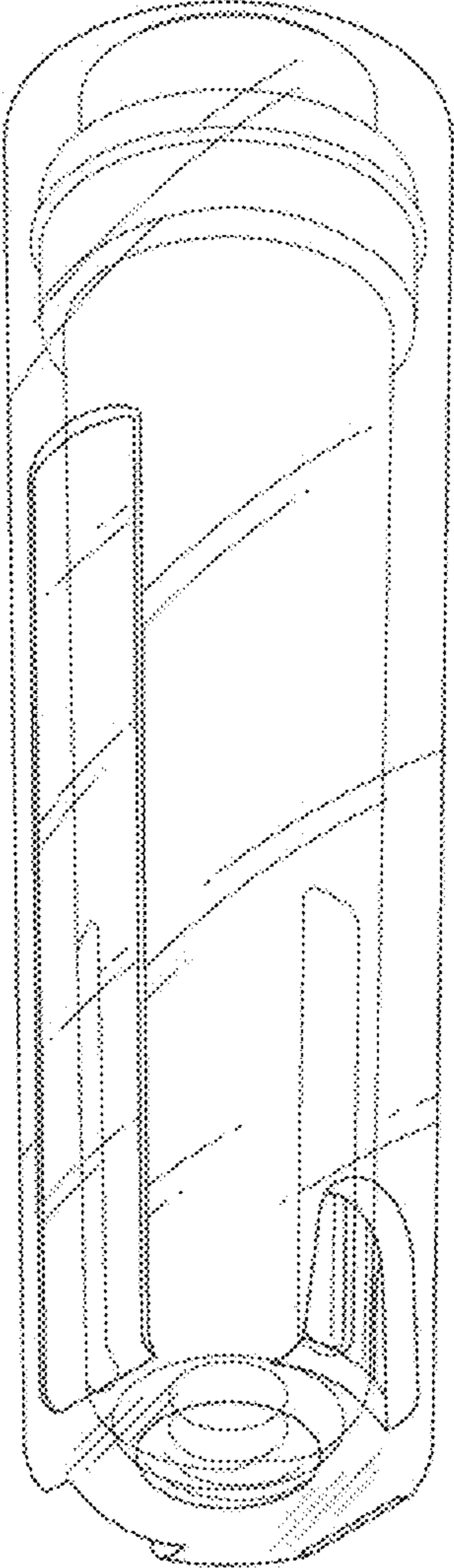


FIG. 10

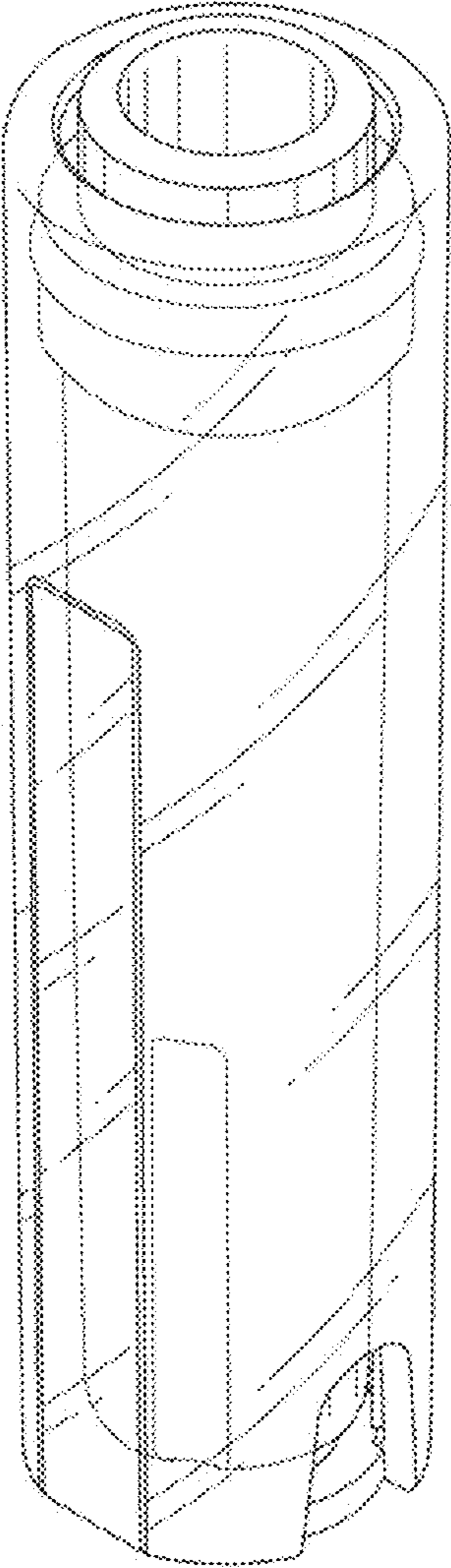


FIG. 11

