



US00D755954S

(12) **United States Design Patent**  
**Korneliussen et al.**

(10) **Patent No.:** **US D755,954 S**  
(45) **Date of Patent:** **\*\* May 10, 2016**

- (54) **MASK FOR VENTILATING BAG**
- (71) Applicants: **Kjell Ove Korneliussen**, Sandnes (NO);  
**Jens Petter Ianke**, Sola (NO)
- (72) Inventors: **Kjell Ove Korneliussen**, Sandnes (NO);  
**Jens Petter Ianke**, Sola (NO)
- (73) Assignee: **Laerdal Medical AS**, Stavanger (NO)

(\*\*) Term: **14 Years**

(21) Appl. No.: **29/525,952**

(22) Filed: **May 5, 2015**

(30) **Foreign Application Priority Data**

Nov. 7, 2014 (NO) ..... 20140988

(51) **LOC (10) Cl.** ..... **29-02**

(52) **U.S. Cl.**  
USPC ..... **D24/110.4**

(58) **Field of Classification Search**  
USPC ..... D24/107, 108, 110, 110.1, 110.4–110.6,  
D24/127  
CPC ..... A61M 16/0084; A61M 16/0078;  
A61M 16/06; A62B 18/02; A62B 9/00;  
A62B 18/025  
See application file for complete search history.

(56) **References Cited**

**U.S. PATENT DOCUMENTS**

- D303,587 S \* 9/1989 Quinn ..... D24/110.4
- D349,586 S \* 8/1994 Handke ..... D24/110.4
- D499,803 S \* 12/2004 Chang ..... D24/110.1
- D574,487 S \* 8/2008 Edhouse ..... D24/110.1
- D679,376 S \* 4/2013 von Hollen ..... D24/110.1
- D679,377 S \* 4/2013 von Hollen ..... D24/110.1
- D679,378 S \* 4/2013 von Hollen ..... D24/110.1
- 2004/0025873 A1 \* 2/2004 Padgett ..... A61M 16/0463  
128/203.12
- 2004/0173214 A1 \* 9/2004 Tinker ..... A61M 16/06  
128/205.13
- 2005/0150496 A1 \* 7/2005 Smaldone ..... A61M 16/0616  
128/206.21

- 2006/0191536 A1 \* 8/2006 Kroupa ..... A61M 16/0078  
128/205.13
- 2007/0215158 A1 \* 9/2007 Kroupa ..... A61M 16/0078  
128/205.13
- 2010/0192953 A1 \* 8/2010 Lee ..... A61M 16/0078  
128/205.13
- 2013/0125893 A1 \* 5/2013 Peace ..... A61M 16/20  
128/205.12
- 2014/0275820 A1 \* 9/2014 Varga ..... A61M 16/0078  
600/301
- 2015/0283342 A1 \* 10/2015 Mielcarz ..... G09B 23/288  
128/202.22

\* cited by examiner

*Primary Examiner* — Barbara Fox

*Assistant Examiner* — Lilyana Bekic

(74) *Attorney, Agent, or Firm* — Blank Rome, LLP

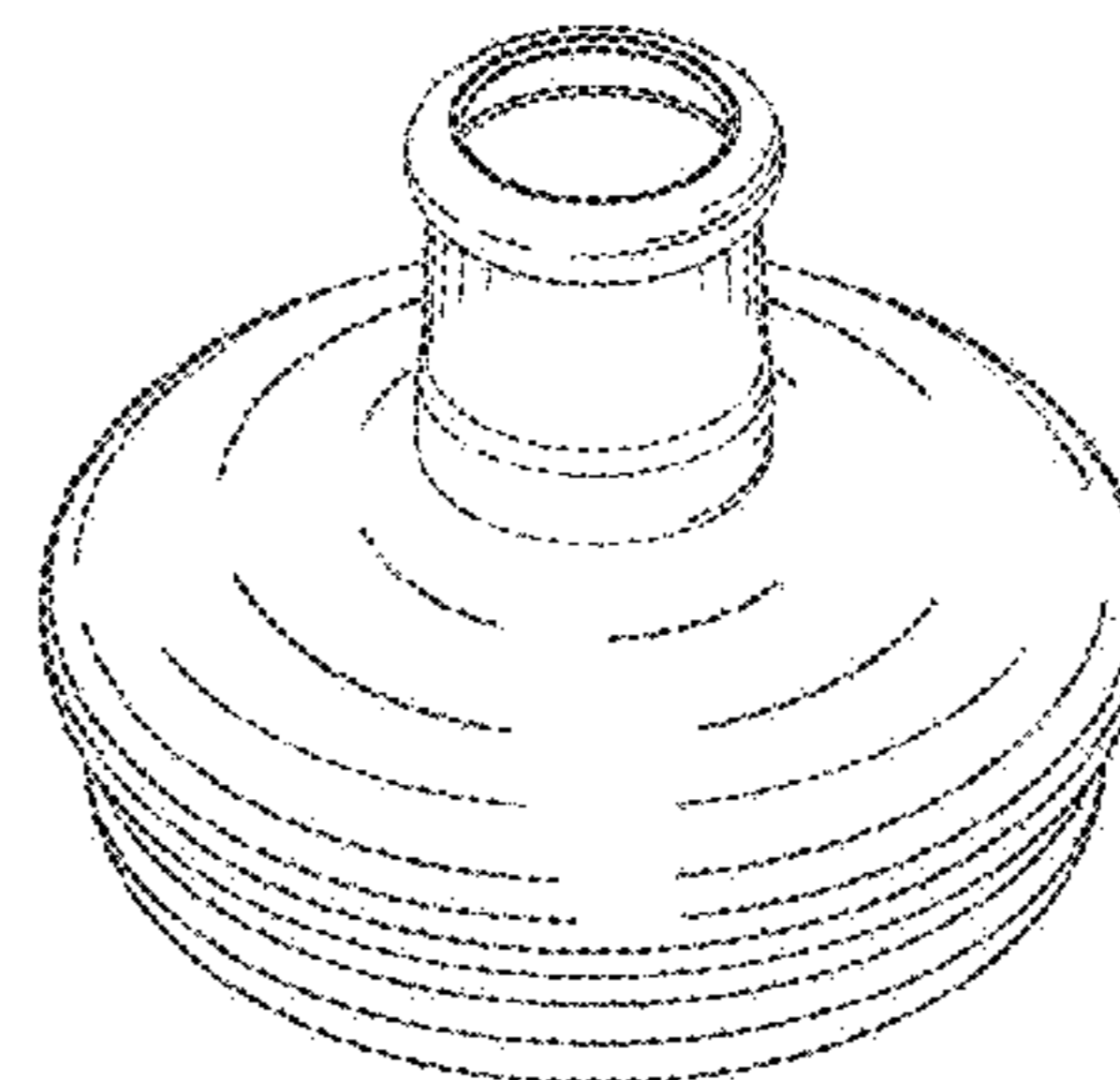
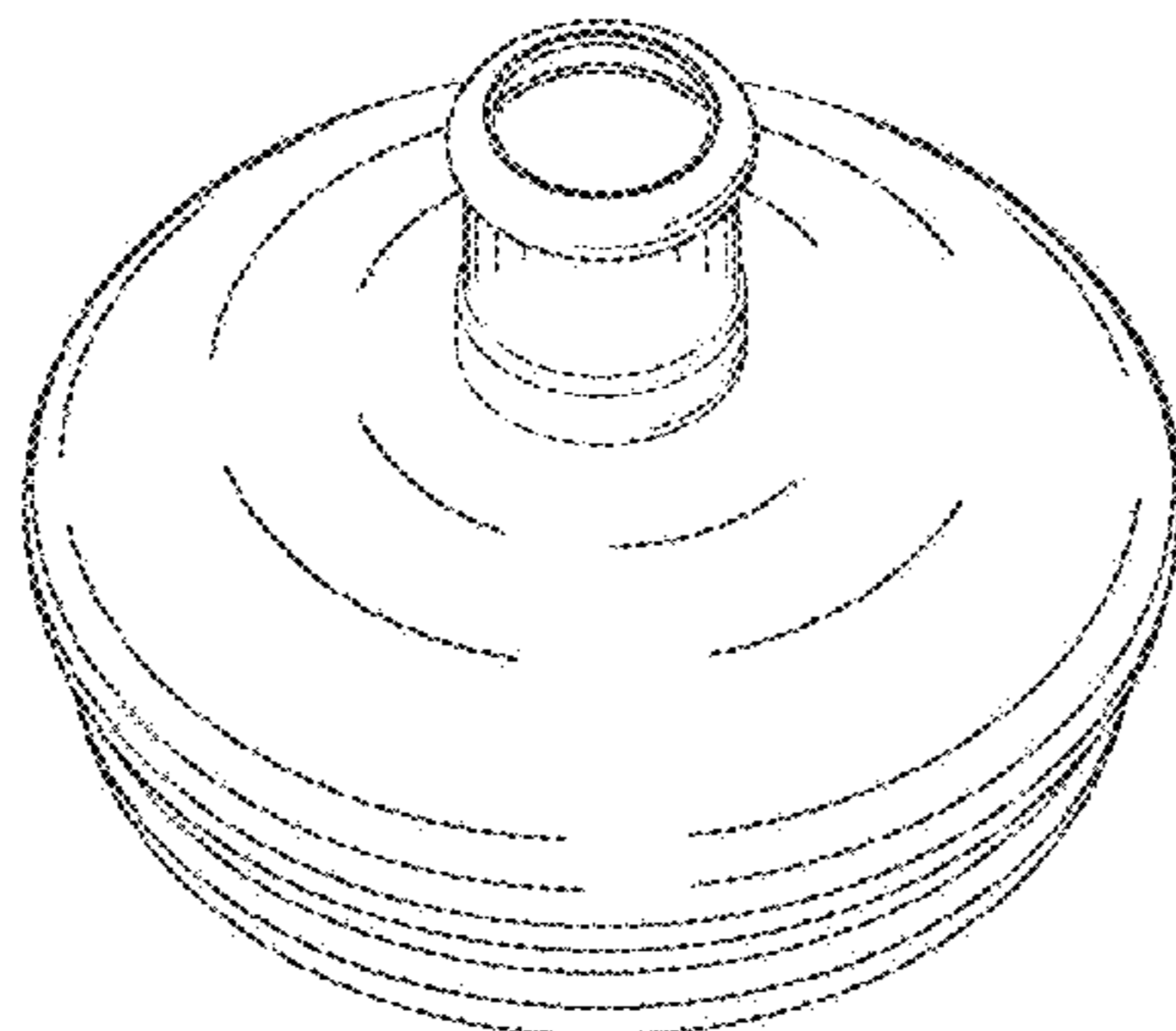
(57) **CLAIM**

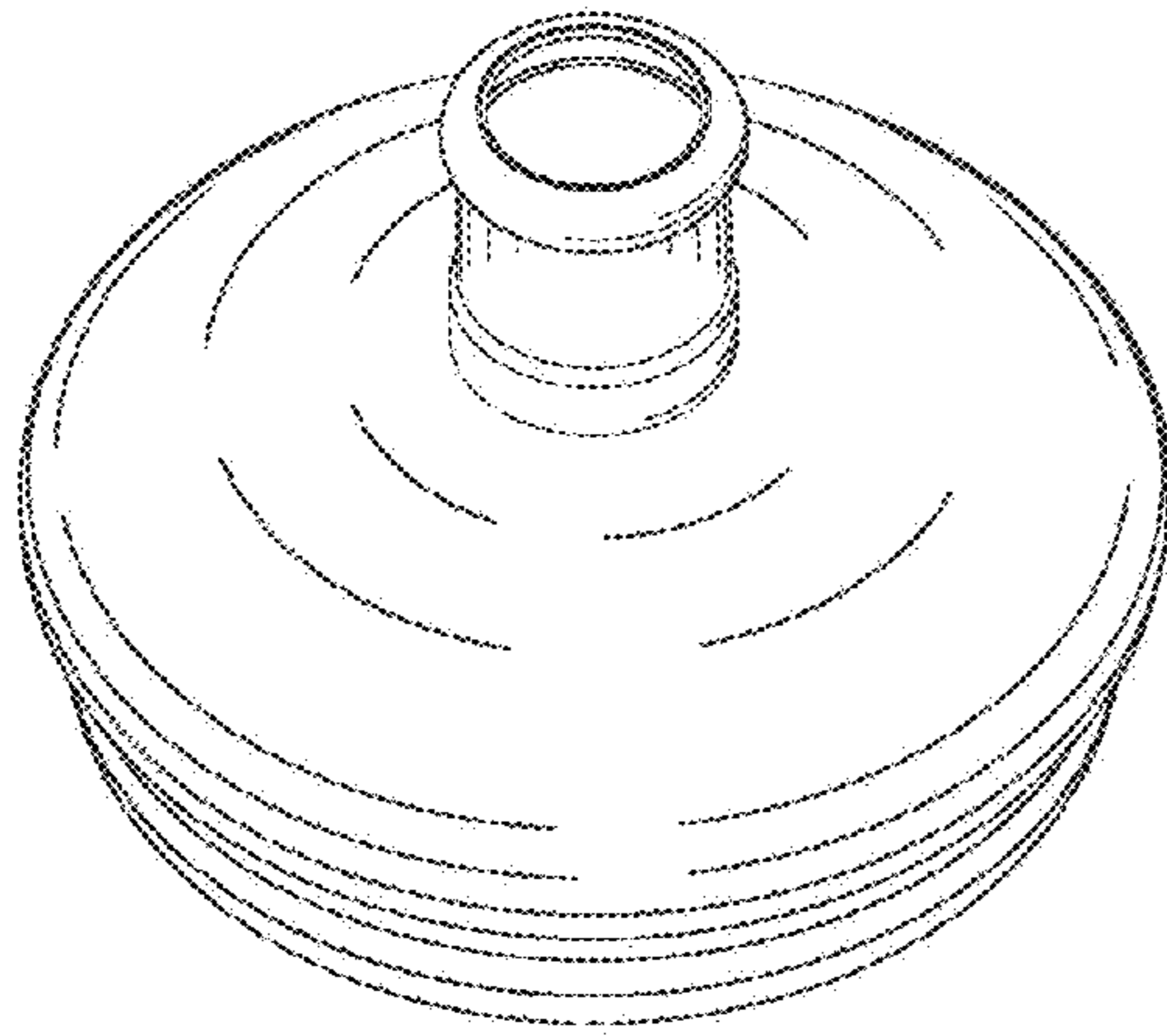
The ornamental design for a mask for ventilating bag, as shown and described.

**DESCRIPTION**

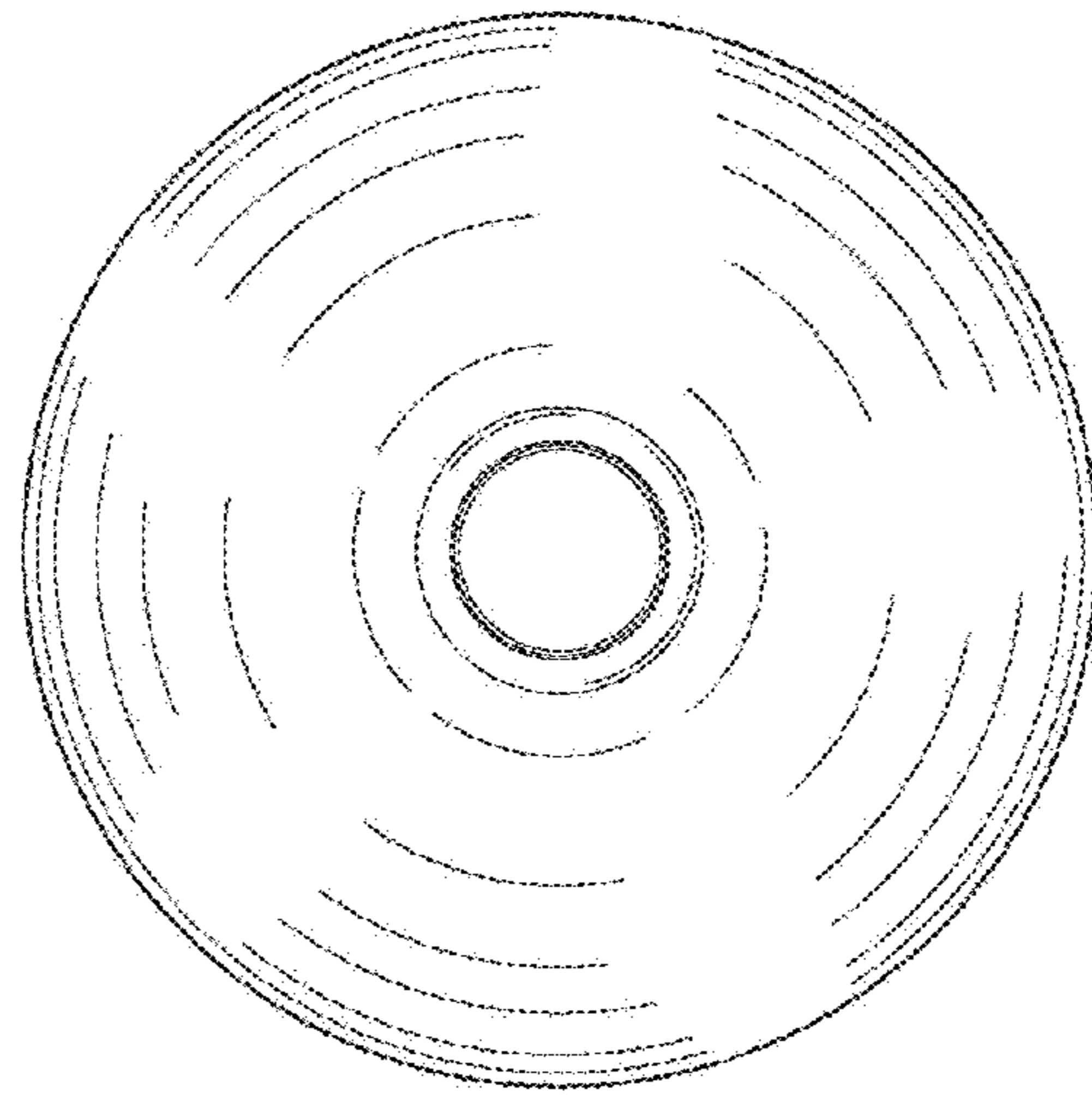
FIG. 1 FIG. 1 is a top perspective view of a mask for ventilating bag showing our new design in a first embodiment; FIG. 2 is a plan view of the top thereof; FIG. 3 is a plan view of the bottom thereof; FIG. 4 is an elevational view of a side thereof, all other sides being the same; FIG. 5 is a perspective view from the bottom thereof; FIG. 6 is a perspective view of the mask for ventilating bag of FIG. 1 shown in a position of use; FIG. 7 is a top perspective view of the mask for ventilating bag showing our new design in a second embodiment; FIG. 8 is a plan view of the top thereof; FIG. 9 is a plan view of the bottom thereof; FIG. 10 is an elevational view of a side thereof, all other sides being the same; FIG. 11 is a perspective view from the bottom thereof; and, FIG. 12 is a perspective view of the mask for ventilating bag of FIG. 7 shown in a position of use. The broken line showing of the ventilating bag in Figs 6 and 12 represents environmental structure that forms no part of the claimed design.

**1 Claim, 4 Drawing Sheets**

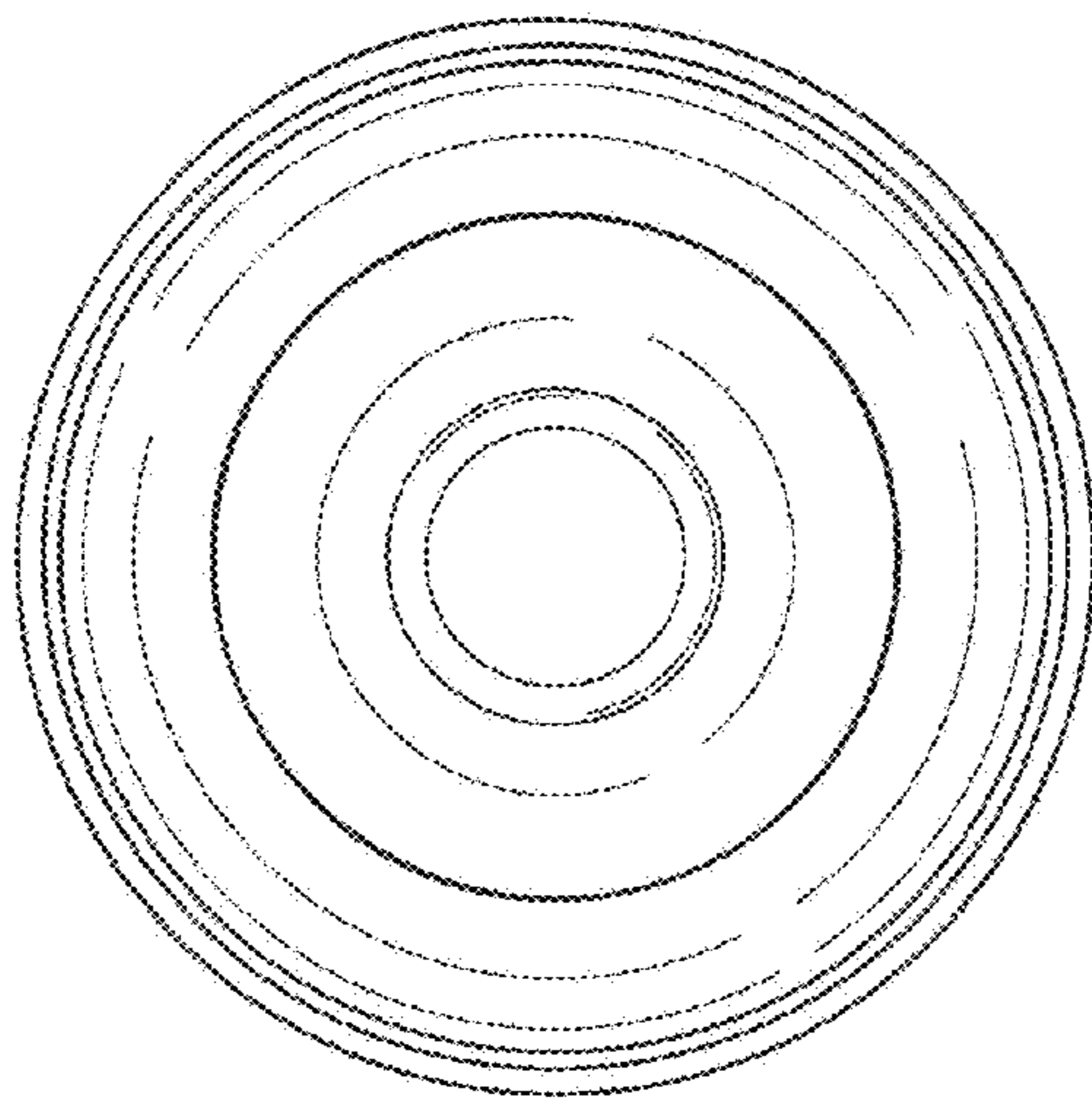




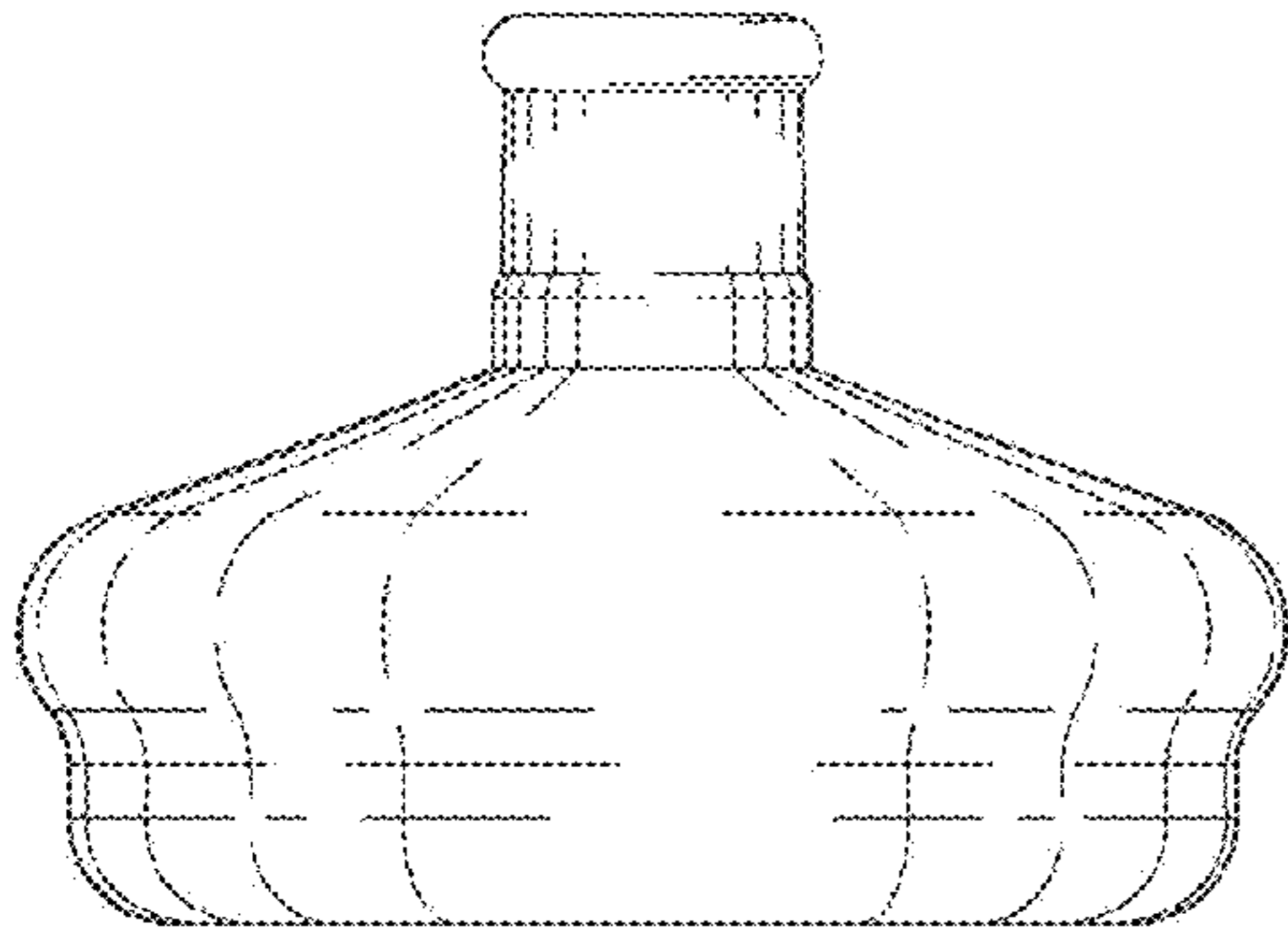
**FIG. 1**



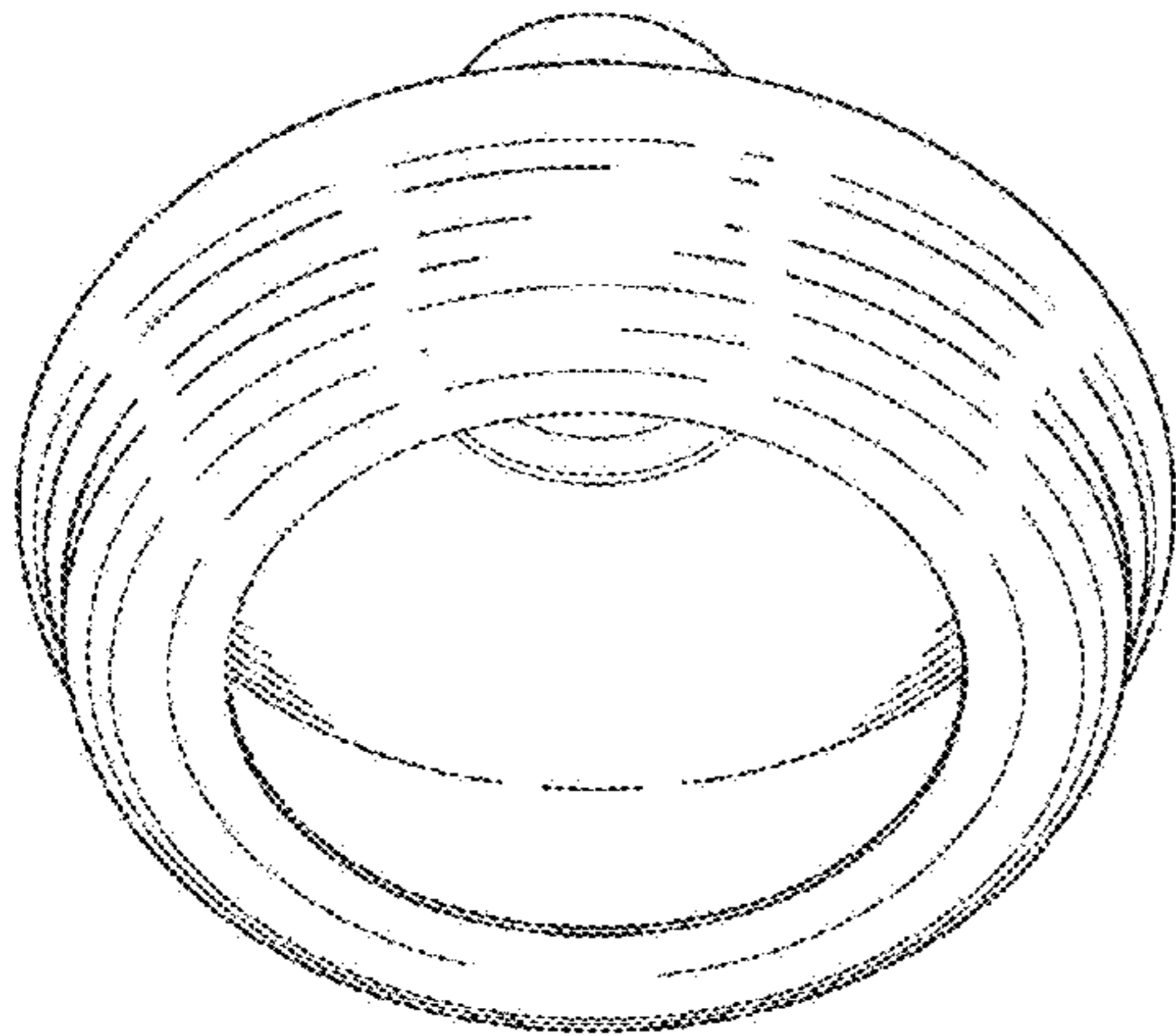
**FIG. 2**



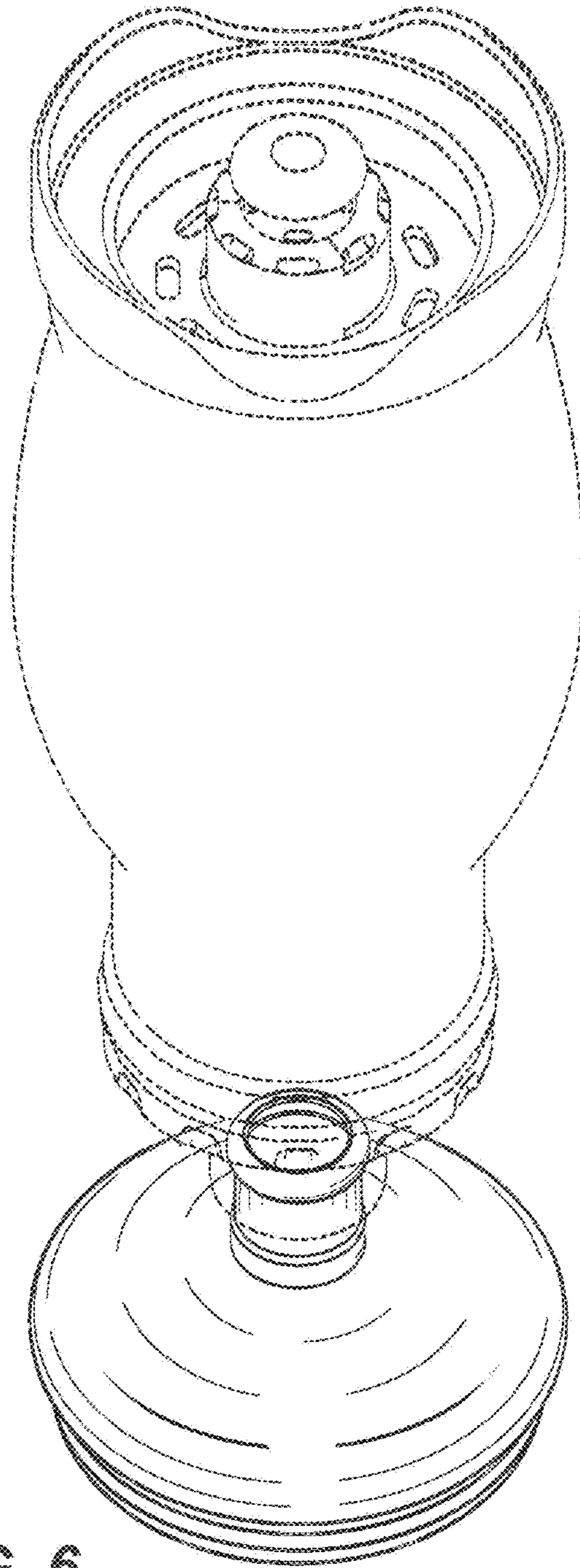
**FIG. 3**



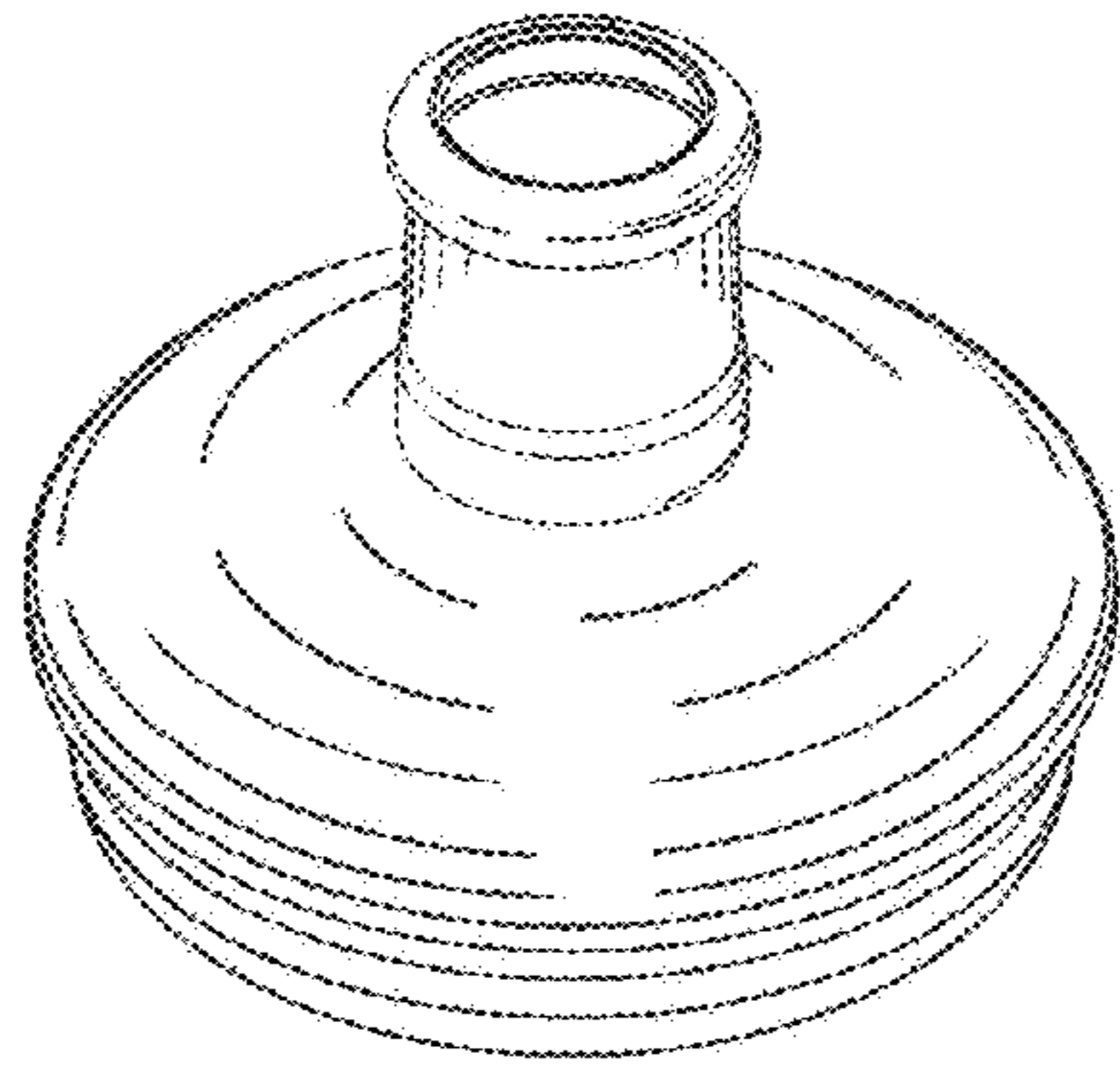
**FIG. 4**



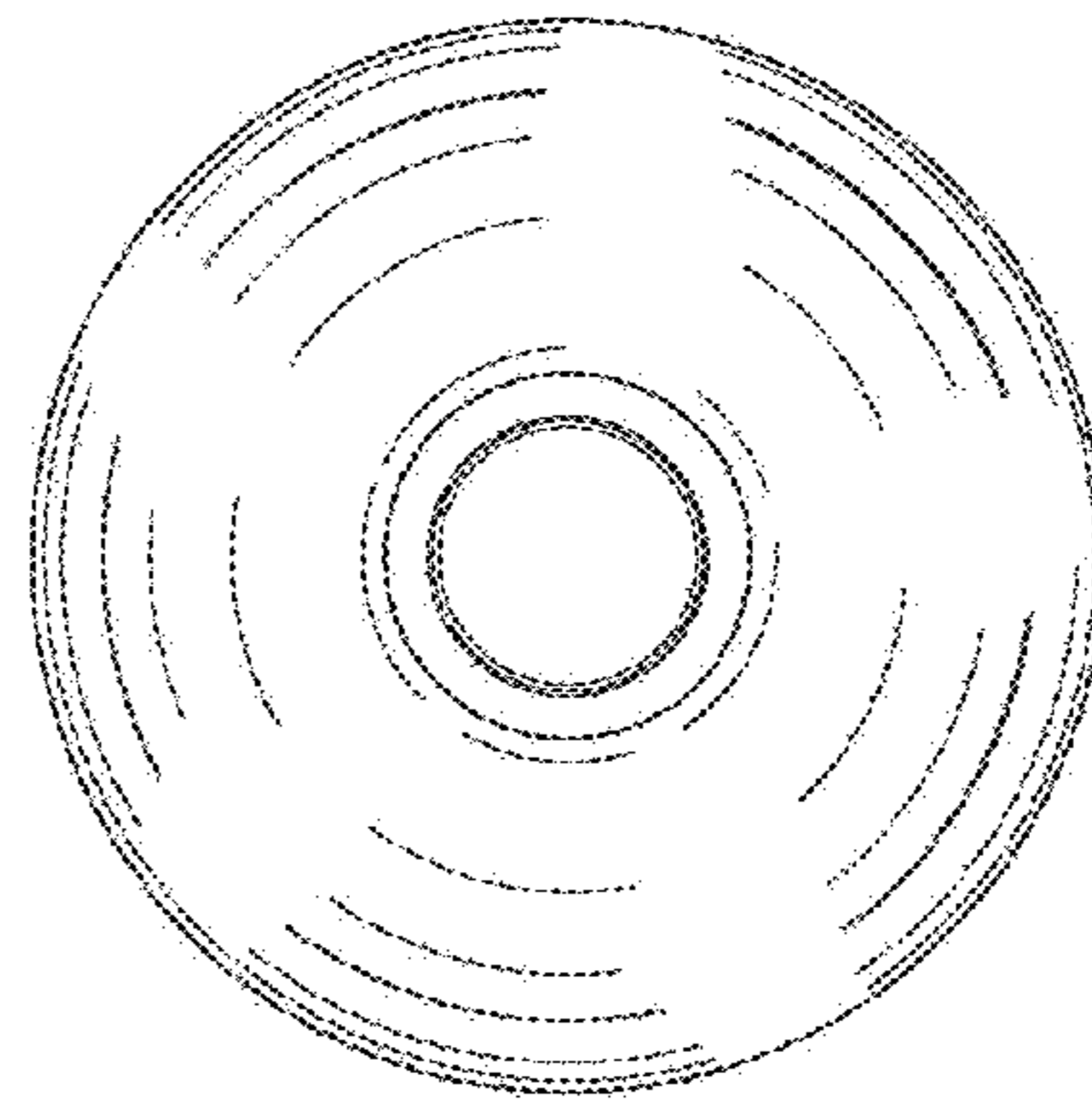
**FIG. 5**



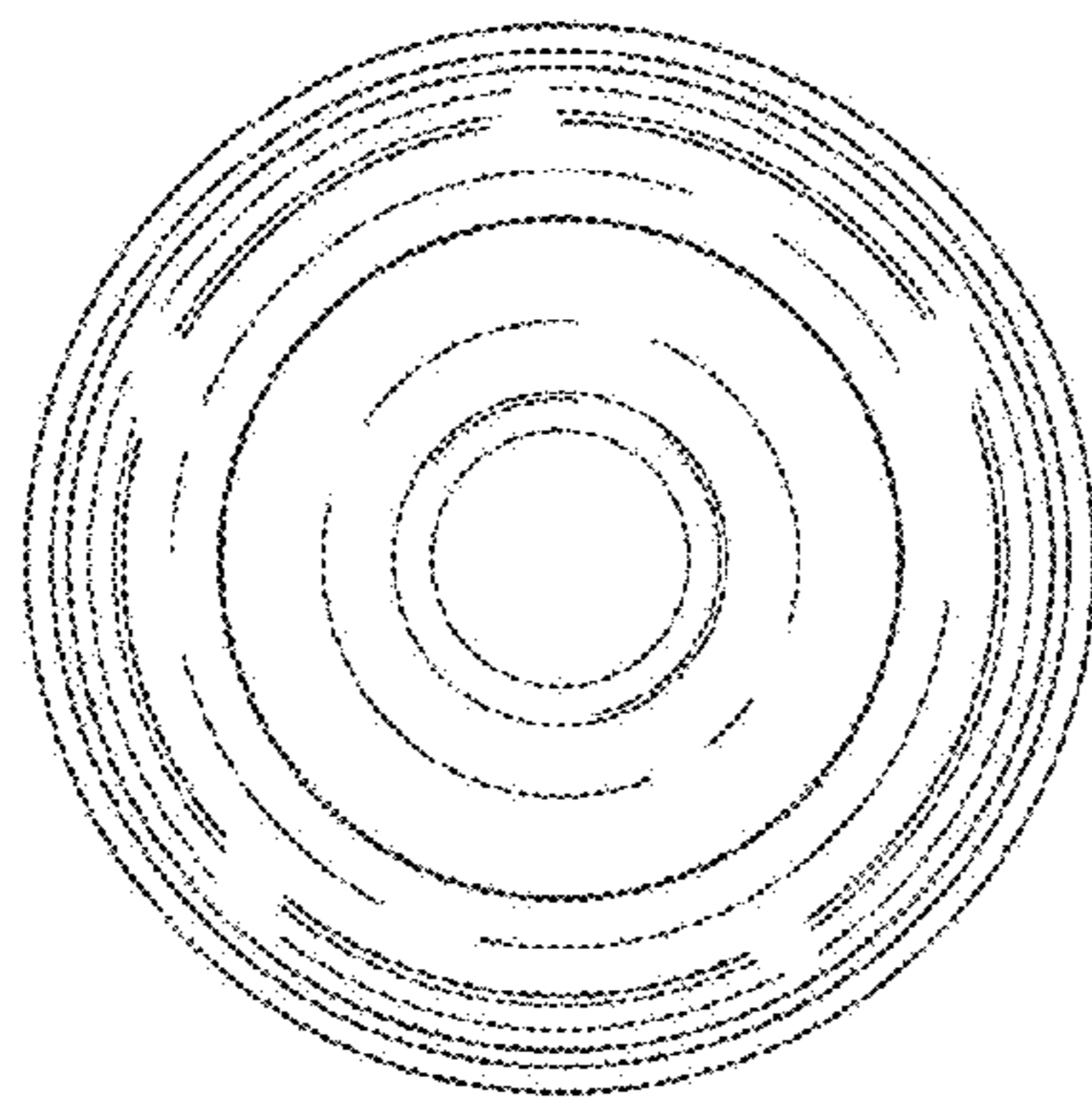
**FIG. 6**



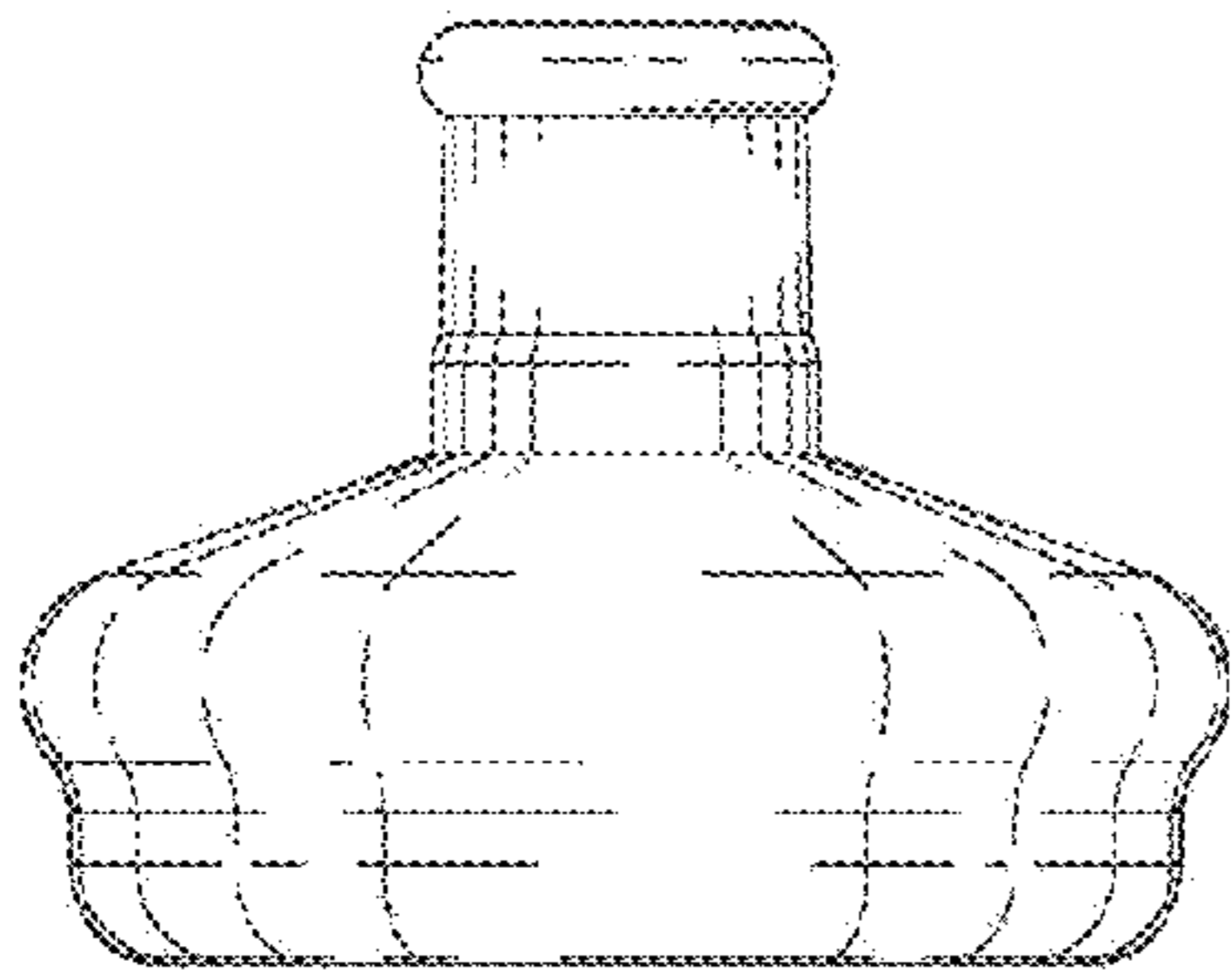
**FIG. 7**



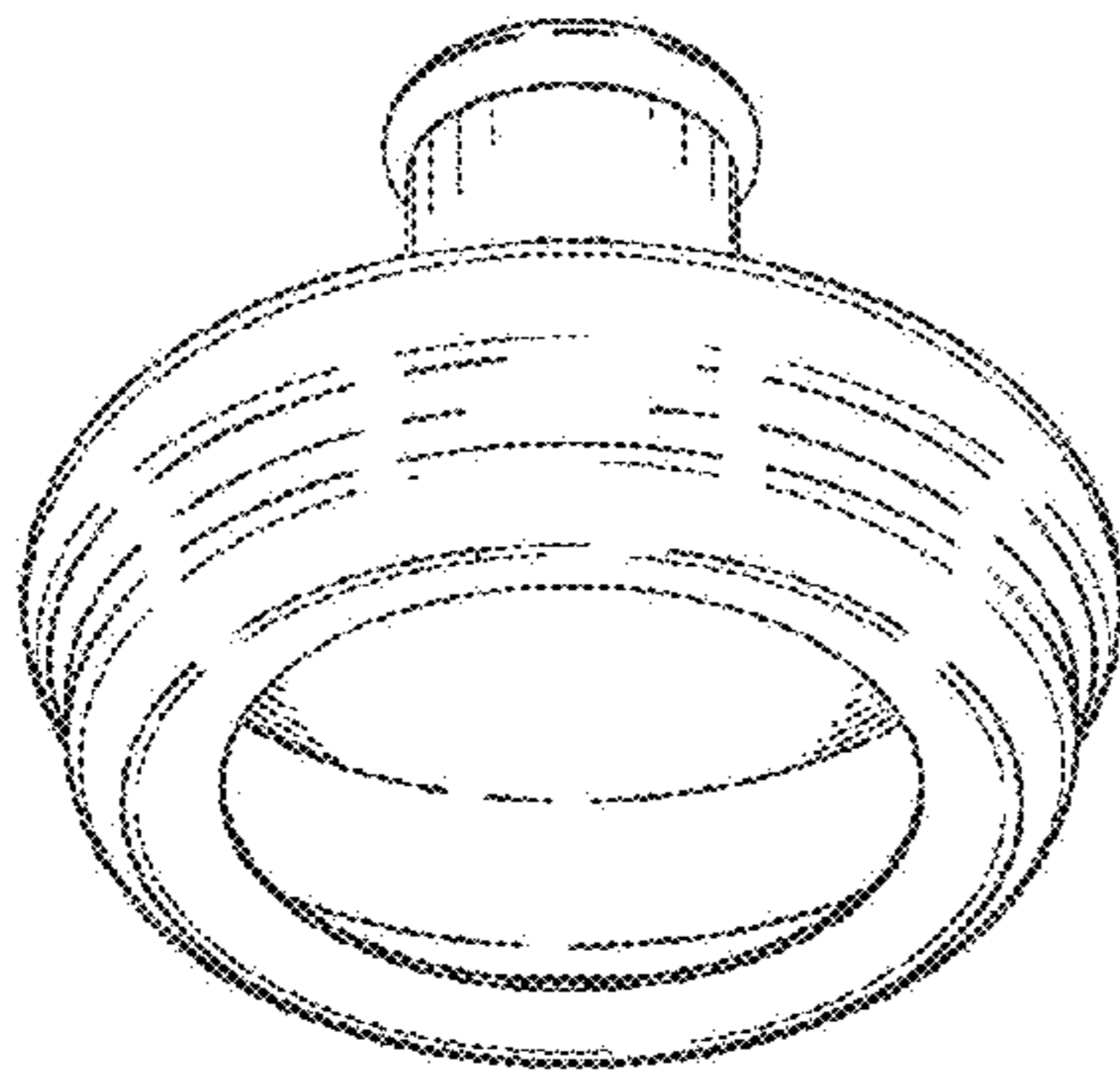
**FIG. 8**



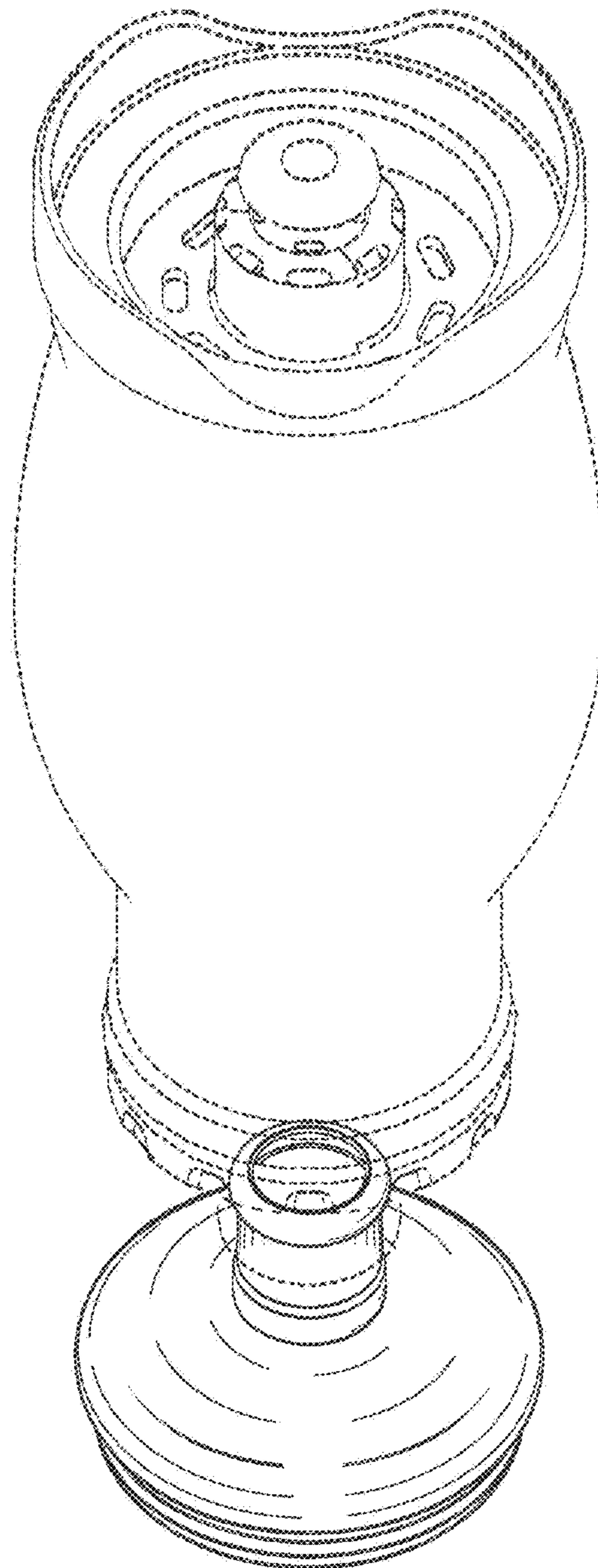
**FIG. 9**



**FIG. 10**



**FIG. 11**



**FIG. 12**