



US00D755944S

(12) **United States Design Patent**
Daniels

(10) **Patent No.:** **US D755,944 S**
(45) **Date of Patent:** **** May 10, 2016**

(54) **ROOF VENT ASSEMBLY**

FOREIGN PATENT DOCUMENTS

(71) Applicant: **Gregory S. Daniels**, Santa Rosa, CA
(US)

DE 28 04 301 2/1979
DE 198 23 356 11/1999

(Continued)

(72) Inventor: **Gregory S. Daniels**, Santa Rosa, CA
(US)

OTHER PUBLICATIONS

(**) Term: **14 Years**

Flat-Type Vent. Formfonts.com[online] 1 page. Designed/built 2008 [retrieved on Feb. 12, 2015]. <[https://www.formfonts.com/3D-Model/11030/1/b3020-roof-openings/b3020-roof-openings/b3020-roof-openings/ohagins-concrete-tile-vent-type-flat/](https://www.formfonts.com/3D-Model/11030/1/b3020-roof-openings/b3020-roof-openings/b3020-roof-openings/b3020-roof-openings/ohagins-concrete-tile-vent-type-flat/)>.*

(Continued)

(21) Appl. No.: **29/484,168**

(22) Filed: **Mar. 6, 2014**

(51) **LOC (10) Cl.** **23-04**

(52) **U.S. Cl.**

USPC **D23/373**; D23/393

(58) **Field of Classification Search**

USPC D23/370-376, 349, 353-364, 386-393,
D23/411, 499; D26/59, 72, 118; D14/230;
454/185, 341, 365, 366, 368, 184,
454/198-211, 242-244, 248, 250-253,
454/275-277, 284, 287-289, 309; 165/244;
422/120; 55/471; D13/102, 156;
D25/143; 52/95, 173.3

CPC E04D 1/36; E04D 1/30; E04D 13/00;
E04D 13/008; E04D 13/17; E04D 13/174;
E04D 13/176; E04D 13/178; F24F 7/025;
F24F 11/0001; F24F 11/001; F24F 11/0012;
F24F 7/02; F24J 2/4609; F24J 2/5247; H02S
20/23; H02S 20/25

See application file for complete search history.

Primary Examiner — Susan Bennett Hattan

Assistant Examiner — Marie Fast Horse

(74) *Attorney, Agent, or Firm* — Knobbe Martens Olson & Bear LLP

(57)

CLAIM

I claim the ornamental design for roof vent assembly, as shown and described.

DESCRIPTION

FIG. 1 is a top perspective view of a roof vent assembly; FIG. 2 is a top view of the roof vent assembly of FIG. 1; FIG. 3 is a bottom view of the roof vent assembly of FIG. 1; FIG. 4 is a bottom view of the roof vent assembly of FIG. 1 without a lower screen plate; FIG. 5 is a front view of the roof vent assembly of FIG. 1; FIG. 6 is a rear view of the roof vent assembly of FIG. 1; and, FIG. 7 is a left side view of the roof vent assembly of FIG. 1, with the right side view being a mirror image of FIG. 7. The broken lines in FIG. 4 depict parts of the roof vent assembly that form no part of the claimed design.

(56)

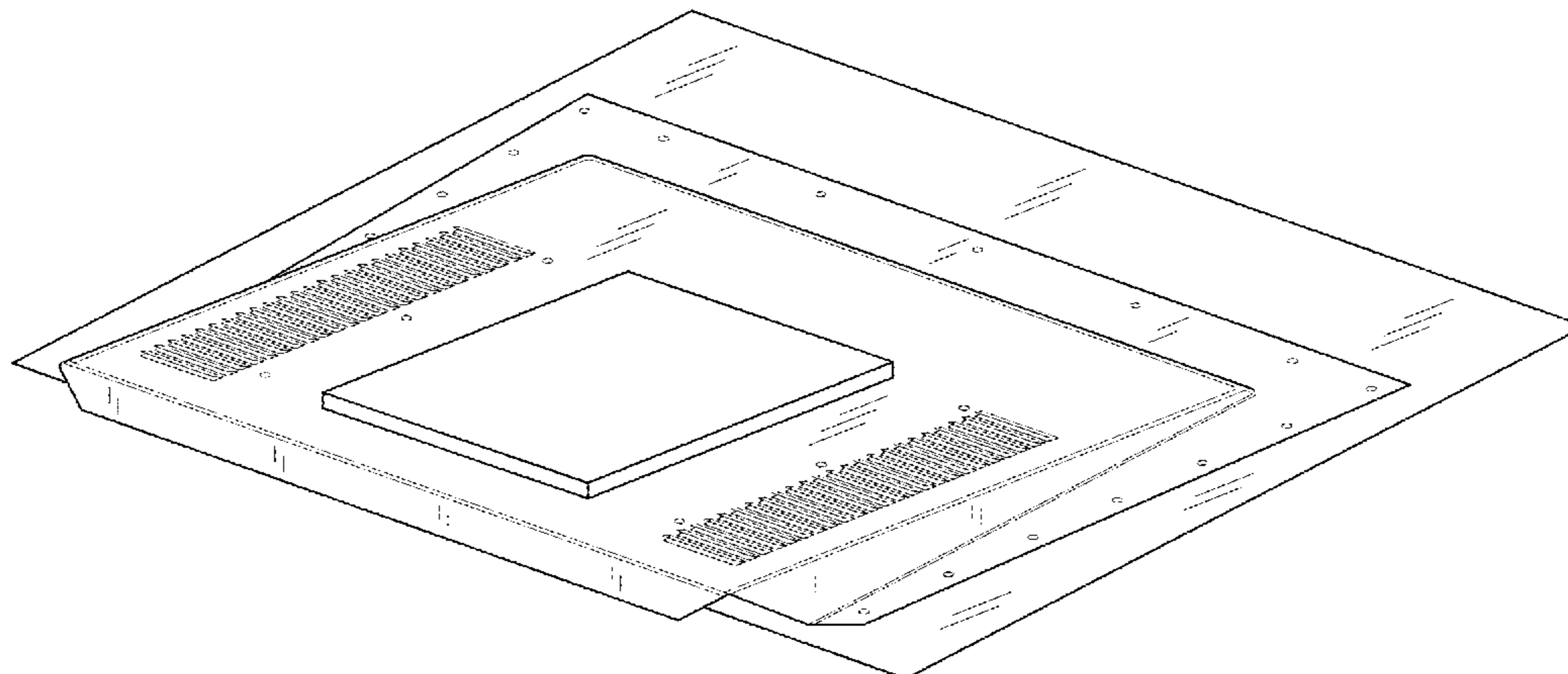
References Cited

U.S. PATENT DOCUMENTS

D30,059 S * 1/1899 Tracy D23/387
2,299,317 A 10/1942 Fink
D134,477 S * 12/1942 Leslie D23/373
2,551,223 A * 5/1951 Schneider 454/366
2,638,835 A 5/1953 Strawsine
2,692,548 A * 10/1954 Knorr 454/366

(Continued)

1 Claim, 6 Drawing Sheets



(56)

References Cited

U.S. PATENT DOCUMENTS

2,733,649 A	2/1956	Le Barron		5,326,318 A *	7/1994	Rotter	454/365
3,027,090 A	3/1962	Zerhan, Jr.		5,333,783 A	8/1994	Catan	
3,083,633 A *	4/1963	Hochberg	454/366	5,364,026 A	11/1994	Kundert	
D204,715 S *	5/1966	Martin	D23/357	5,385,848 A	1/1995	Grimmer	
3,376,164 A	4/1968	Bachwansky		5,391,235 A	2/1995	Inoue	
3,459,597 A	8/1969	Baron		5,409,549 A	4/1995	Mori	
D215,940 S *	11/1969	Kahn	D14/230	5,419,781 A	5/1995	Hamakawa et al.	
D217,610 S *	5/1970	Stoop	D23/357	5,437,735 A	8/1995	Younan et al.	
3,553,030 A	1/1971	Lebrun		5,480,494 A	1/1996	Inoue	
3,658,596 A	4/1972	Osborne		5,486,238 A	1/1996	Nakagawa et al.	
3,769,091 A	10/1973	Leinkram et al.		5,505,788 A	4/1996	Dinwoodie	
3,888,697 A	6/1975	Bogus et al.		5,528,229 A	6/1996	Mehta	
3,895,467 A *	7/1975	Clement	52/199	5,549,513 A	8/1996	Thomas et al.	
3,951,336 A	4/1976	Miller et al.		5,575,861 A	11/1996	Younan et al.	
4,040,867 A	8/1977	Forestieri et al.		5,591,080 A *	1/1997	Ward	454/359
4,051,999 A	10/1977	Granger et al.		5,602,457 A	2/1997	Anderson et al.	
D247,510 S *	3/1978	Kujawa, Jr.	D23/373	5,620,368 A	4/1997	Bates et al.	
4,083,097 A	4/1978	Anagnostou et al.		5,636,481 A *	6/1997	De Zen	52/95
4,097,308 A	6/1978	Klein et al.		D380,823 S *	7/1997	LaZar	D23/372
4,189,881 A	2/1980	Hawley		5,651,226 A	7/1997	Archibald	
D254,442 S *	3/1980	Cervone	D23/364	5,672,101 A	9/1997	Thomas	
4,201,121 A	5/1980	Brandenburg, Jr.		5,697,192 A	12/1997	Inoue	
4,224,081 A	9/1980	Kawanura et al.		5,697,842 A *	12/1997	Donnelly	454/365
4,228,729 A	10/1980	Messick		5,706,617 A	1/1998	Hirai et al.	
4,239,555 A	12/1980	Scharlack et al.		5,722,887 A	3/1998	Wolfson et al.	
4,251,026 A	2/1981	Siegel et al.		5,738,581 A *	4/1998	Rickert et al.	454/365
D259,138 S *	5/1981	Giles	D23/373	5,740,636 A	4/1998	Archard	
D261,803 S	11/1981	Bohanon, Jr.		5,746,653 A	5/1998	Palmer et al.	
4,314,548 A	2/1982	Hanson		5,746,839 A	5/1998	Dinwoodie	
4,382,435 A	5/1983	Brill-Edwards		5,766,071 A *	6/1998	Kirkwood	454/185
4,383,129 A	5/1983	Gupta et al.		D397,431 S *	8/1998	Meyer	D23/393
4,404,958 A	9/1983	Boettcher		5,800,631 A	9/1998	Yamada et al.	
4,418,685 A	12/1983	Frazier		D403,755 S *	1/1999	Liang	D23/370
4,432,273 A	2/1984	Devitt		5,879,232 A	3/1999	Luter, II et al.	
4,433,200 A	2/1984	Jester et al.		D408,514 S *	4/1999	Hornig	D23/370
D276,261 S *	11/1984	Shaftner	D23/386	5,890,322 A	4/1999	Fears	
4,485,264 A	11/1984	Izu et al.		D409,741 S *	5/1999	Yuen-Ming	D23/370
4,498,267 A *	2/1985	Beck	52/555	5,968,287 A	10/1999	Nath	
4,510,851 A	4/1985	Sarnosky et al.		5,990,414 A	11/1999	Posnansky	
4,574,160 A	3/1986	Cull et al.		6,005,236 A	12/1999	Phelan et al.	
4,594,940 A	6/1986	Wolbrink et al.		6,008,450 A	12/1999	Ohtsuka et al.	
4,602,739 A	7/1986	Sutton, Jr.		6,036,102 A	3/2000	Pearson	
D285,829 S	9/1986	Lock		6,050,039 A	4/2000	O'Hagin	
4,625,469 A	12/1986	Gentry et al.		6,051,774 A	4/2000	Yoshida et al.	
4,633,769 A	1/1987	Milks		D424,672 S *	5/2000	Nanjo	D23/353
4,651,805 A	3/1987	Bergeron, Jr.		6,061,977 A	5/2000	Toyama et al.	
4,677,903 A	7/1987	Mathews, III		6,061,978 A	5/2000	Dinwoodie et al.	
4,692,557 A	9/1987	Samuelson et al.		6,077,159 A	6/2000	Clayton	
4,759,272 A	7/1988	Zaniewski		6,105,317 A	8/2000	Tomiuchi et al.	
4,803,816 A	2/1989	Klober		6,129,628 A *	10/2000	O'Hagin et al.	454/366
4,843,794 A	7/1989	Holtgreve		6,155,006 A	12/2000	Mimura et al.	
4,850,166 A	7/1989	Taylor		6,220,956 B1	4/2001	Kilian et al.	
4,860,509 A	8/1989	Laaly et al.		D442,273 S *	5/2001	Pestell	D23/393
4,965,971 A	10/1990	Jean-Jacques et al.		6,241,602 B1	6/2001	Allen	
4,977,818 A	12/1990	Taylor et al.		6,242,685 B1	6/2001	Mizukami et al.	
4,986,469 A	1/1991	Sutton, Jr.		6,243,995 B1	6/2001	Reeves et al.	
5,048,255 A	9/1991	Gonzales		6,294,724 B1	9/2001	Sasaoka et al.	
5,049,801 A	9/1991	Potter		6,306,030 B1	10/2001	Wilson	
5,060,444 A	10/1991	Paquette		6,311,436 B1	11/2001	Mimura et al.	
5,070,771 A *	12/1991	Mankowski	454/275	6,336,304 B1	1/2002	Mimura et al.	
5,078,047 A *	1/1992	Wimberly	454/368	6,340,403 B1	1/2002	Carey et al.	
5,092,939 A	3/1992	Nath et al.		6,365,824 B1	4/2002	Nakazima et al.	
5,094,697 A	3/1992	Takabayashi et al.		6,380,477 B1	4/2002	Curtin	
5,121,583 A	6/1992	Hirai et al.		D457,234 S *	5/2002	O'Hagin et al.	D23/393
5,131,200 A	7/1992	McKinnon		D458,391 S	6/2002	O'Haqin et al.	
5,131,888 A	7/1992	Adkins, II		D458,392 S	6/2002	O'Haqin et al.	
5,133,810 A	7/1992	Morizane et al.		6,415,559 B1	7/2002	Reeves et al.	
D332,139 S *	12/1992	Courchesne	D23/385	6,418,678 B2	7/2002	Rotter	
5,176,758 A	1/1993	Nath et al.		6,439,466 B2	8/2002	Fikes	
5,228,925 A	7/1993	Nath et al.		6,447,390 B1 *	9/2002	O'Hagin	454/250
5,232,518 A	8/1993	Nath et al.		6,453,629 B1	9/2002	Nakazima et al.	
5,238,519 A	8/1993	Nath et al.		6,459,032 B1	10/2002	Luch	
5,273,608 A	12/1993	Nath		6,491,579 B1 *	12/2002	O'Hagin	454/250
5,296,043 A	3/1994	Kawakami et al.		6,501,013 B1	12/2002	Dinwoodie	
5,316,592 A	5/1994	Dinwoodie		6,541,693 B2	4/2003	Takada et al.	
				6,553,729 B1	4/2003	Nath et al.	
				6,606,830 B2	8/2003	Nagao et al.	
				D479,885 S	9/2003	O'Hagin et al.	
				6,695,692 B1	2/2004	York	

(56)

References Cited

U.S. PATENT DOCUMENTS

6,729,081 B2	5/2004	Nath et al.	8,701,360 B2 *	4/2014	Ressler	52/173.3
6,730,841 B2	5/2004	Heckerorth	8,740,678 B2 *	6/2014	Railkar et al.	454/341
6,767,762 B2	7/2004	Guha	8,776,455 B2	7/2014	Azoulay	
6,799,742 B2	10/2004	Nakamura et al.	8,782,967 B2 *	7/2014	Daniels	52/95
D503,156 S *	3/2005	Provenzano	8,793,943 B2 *	8/2014	Daniels	52/198
6,870,087 B1	3/2005	Gallagher	D713,953 S *	9/2014	Jepson	D23/388
D503,790 S *	4/2005	Dodge et al.	D719,253 S *	12/2014	Francescon	D23/388
D504,172 S *	4/2005	O'Hagin	2001/0027804 A1	10/2001	Inoue et al.	
6,875,914 B2	4/2005	Guha et al.	2002/0036010 A1 *	3/2002	Yamawaki et al.	136/251
D505,195 S *	5/2005	Snyder	2002/0104562 A1	8/2002	Emoto et al.	
6,928,775 B2	8/2005	Banister	2003/0000158 A1	1/2003	Borges	
6,941,706 B2	9/2005	Austin et al.	2003/0159802 A1	8/2003	Steneby et al.	
D512,774 S *	12/2005	O'Hagin et al.	2004/0031219 A1	2/2004	Banister	
D518,158 S *	3/2006	Cho et al.	2004/0098932 A1	5/2004	Broatch	
D519,219 S *	4/2006	Dodge et al.	2005/0074915 A1	4/2005	Tuttle et al.	
D520,149 S *	5/2006	Dodge et al.	2005/0127379 A1	6/2005	Nakata	
7,044,852 B2 *	5/2006	Horton	2005/0130581 A1 *	6/2005	Dodge	454/366
7,053,294 B2	5/2006	Tuttle et al.	2005/0144963 A1	7/2005	Peterson et al.	
7,097,557 B2	8/2006	Kutschman	2005/0176270 A1	8/2005	Luch	
D527,813 S *	9/2006	Dodge et al.	2005/0178429 A1	8/2005	McCaskill et al.	
D527,836 S *	9/2006	O'Hagin	2005/0191957 A1 *	9/2005	Demetry et al.	454/341
7,101,279 B2	9/2006	O'Hagin et al.	2005/0233691 A1 *	10/2005	Horton	454/366
D536,778 S *	2/2007	O'Hagin	2005/0239393 A1	10/2005	Reese	
7,176,543 B2	2/2007	Beernink	2005/0239394 A1 *	10/2005	O'Hagin et al.	454/366
7,178,295 B2	2/2007	Dinwoodie	2005/0263178 A1	12/2005	Montello et al.	
7,250,000 B2	7/2007	Daniels, II	2005/0263179 A1	12/2005	Gaudiana et al.	
D549,316 S *	8/2007	O'Hagin et al.	2005/0263180 A1	12/2005	Montello et al.	
D555,237 S *	11/2007	O'Hagin	2005/0274408 A1	12/2005	Li et al.	
7,320,774 B2	1/2008	Simmons et al.	2006/0017154 A1	1/2006	Eguchi et al.	
D562,993 S *	2/2008	Shepherd et al.	2006/0032527 A1	2/2006	Stevens et al.	
7,365,266 B2	4/2008	Heckerorth	2006/0052047 A1	3/2006	Daniels	
D578,633 S *	10/2008	Schluter et al.	2006/0052051 A1	3/2006	Daniels	
D579,096 S *	10/2008	Guzorek	2006/0086384 A1	4/2006	Nakata	
D582,905 S *	12/2008	Takisawa et al.	2006/0124827 A1	6/2006	Janus et al.	
7,469,508 B2	12/2008	Ceria	2006/0223437 A1 *	10/2006	O'Hagin	454/366
7,470,179 B1	12/2008	Ritter et al.	2007/0049190 A1 *	3/2007	Singh	454/365
D588,255 S *	3/2009	Daniels	2007/0066216 A1 *	3/2007	McIntire	454/365
D588,256 S *	3/2009	Daniels	2007/0067063 A1	3/2007	Ahmed	
D589,134 S *	3/2009	O'Hagin et al.	2007/0072541 A1	3/2007	Daniels et al.	
7,497,774 B2	3/2009	Stevenson et al.	2007/0084501 A1	4/2007	Kalberlah et al.	
7,506,477 B2	3/2009	Flaherty et al.	2007/0094953 A1	5/2007	Galeazzo et al.	
7,507,151 B1	3/2009	Parker et al.	2007/0207725 A1	9/2007	O'Hagin	
7,509,775 B2	3/2009	Flaherty et al.	2007/0243820 A1	10/2007	O'Hagin	
7,517,465 B2	4/2009	Guha et al.	2007/0246095 A1	10/2007	Schaefer	
7,531,740 B2	5/2009	Flaherty et al.	2008/0040990 A1	2/2008	Vendig et al.	
7,578,102 B2	8/2009	Banister	2008/0098672 A1 *	5/2008	O'Hagin et al.	52/173.3
7,587,864 B2	9/2009	McCaskill et al.	2008/0220714 A1	9/2008	Caruso et al.	
7,618,310 B2 *	11/2009	Daniels	2008/0287053 A1 *	11/2008	Carlson et al.	454/365
7,642,449 B2	1/2010	Korman et al.	2008/0287054 A1 *	11/2008	Carlson et al.	454/365
D610,245 S *	2/2010	Daniels	2008/0299892 A1 *	12/2008	Robinson	454/366
D612,040 S *	3/2010	Daniels	2009/0203308 A1 *	8/2009	O'Hagin et al.	454/341
7,678,990 B2	3/2010	McCaskill et al.	2009/0253368 A1 *	10/2009	Rotter	454/365
D618,780 S *	6/2010	Williams, Sr.	2009/0286463 A1 *	11/2009	Daniels	454/366
7,736,940 B2	6/2010	Basol	2009/0311959 A1 *	12/2009	Shepherd	454/366
7,757,440 B2 *	7/2010	Austin et al.	2010/0064605 A1 *	3/2010	Corvaglia et al.	52/173.3
D625,800 S *	10/2010	Daniels	2010/0229940 A1	9/2010	Basol	
7,901,278 B2 *	3/2011	O'Hagin	2010/0287852 A1 *	11/2010	Bortoletto	52/173.3
8,079,898 B1	12/2011	Stevenson	2010/0330898 A1 *	12/2010	Daniels	454/365
D654,161 S *	2/2012	Holland et al.	2011/0294412 A1 *	12/2011	Vagedes	454/242
8,167,216 B2	5/2012	Schultz et al.	2012/0110924 A1	5/2012	Makin	
8,292,707 B2 *	10/2012	Grisham et al.	2012/0151856 A1 *	6/2012	Azoulay	52/173.3
8,316,592 B2 *	11/2012	Lanza	2012/0190288 A1 *	7/2012	Willen	454/250
D685,112 S *	6/2013	Henriquez	2012/0322359 A1 *	12/2012	Chen et al.	454/341
D685,113 S *	6/2013	Henriquez	2013/0040553 A1 *	2/2013	Potter	454/341
8,479,458 B2 *	7/2013	Morita et al.	2013/0247480 A1 *	9/2013	Ridgway	52/95
8,535,128 B2	9/2013	Chwala	2014/0065944 A1 *	3/2014	Chamness	454/275
D696,392 S *	12/2013	Funnell, II	2014/0099878 A1	4/2014	Daniels	
8,607,510 B2	12/2013	Daniels	2014/0248834 A1 *	9/2014	Kolt et al.	454/366
8,608,533 B2	12/2013	Daniels				
D702,827 S *	4/2014	Mase et al.				
D703,305 S *	4/2014	Stollenwerk O'Hagin				

FOREIGN PATENT DOCUMENTS

GB	2183819	6/1987
GB	2279453	1/1995

(56)

References Cited

FOREIGN PATENT DOCUMENTS

GB	2345536	7/2000
JP	59-060138	4/1984
JP	06-241517	8/1994
JP	06-272920	9/1994
JP	09-158428	6/1997
JP	10-061133	3/1998
JP	11-044035	2/1999
JP	11-229576	8/1999
JP	2000-274032	10/2000
JP	2004-092298	3/2004
JP	2007-534924	11/2007
WO	WO 2005/108708	11/2005

OTHER PUBLICATIONS

Roof Vents. (1/8-Designs-© Questel). orbit.com [online PDF] 27 pages. Uploaded 2014 [retrieved on Feb. 12, 2015]. Retrieved from Internet: <<http://sobjprd.questel.fr/export/QPTUJ214/pdf2/5f7850ea-f617-4548-bc47-08c3edb41ca0-222833.pdf>>.*

S-Type Vent. Formfomts.com[online] 1 page. Designed/built 2008 [retrieved on Feb. 12, 2015]. <<http://www.formfomts.com/3D-Model/11032/shell/b30-roofing/b3010-roof-coverings/b3020-roof-openings/ohagins-concrete-tile-vent-type/>>.*

M-Type Vent. Formfomts.com[online] 1 page. Designed/built 2008 [retrieved on Feb. 12, 2015]. <<https://www.formfomts.com/3D-Model/1/11031/1/shell/b30-roofing/b3010-roof-coverings/b3020-roof-openings/ohagins-concrete-tile-vent-type-config/>>.*

* cited by examiner

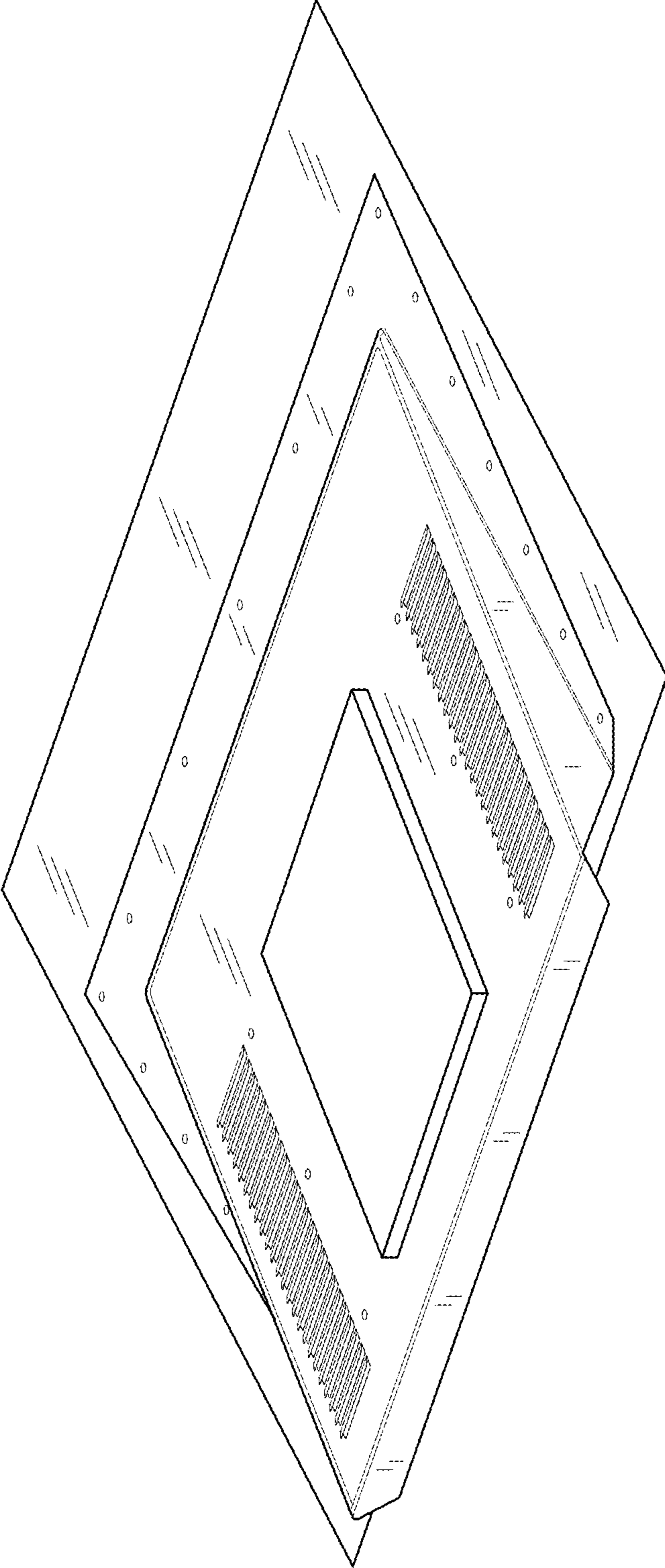


FIG. 1

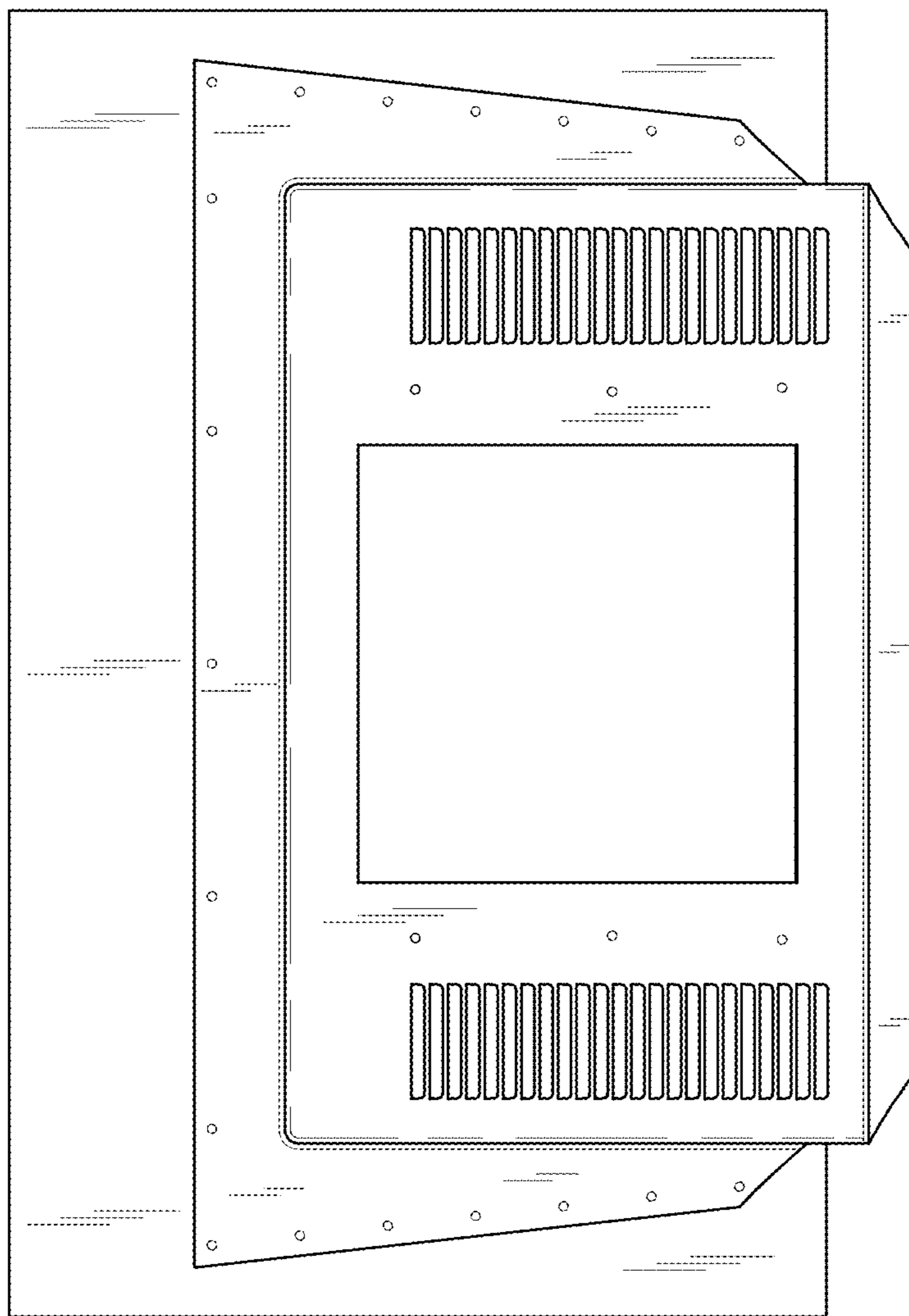


FIG. 2

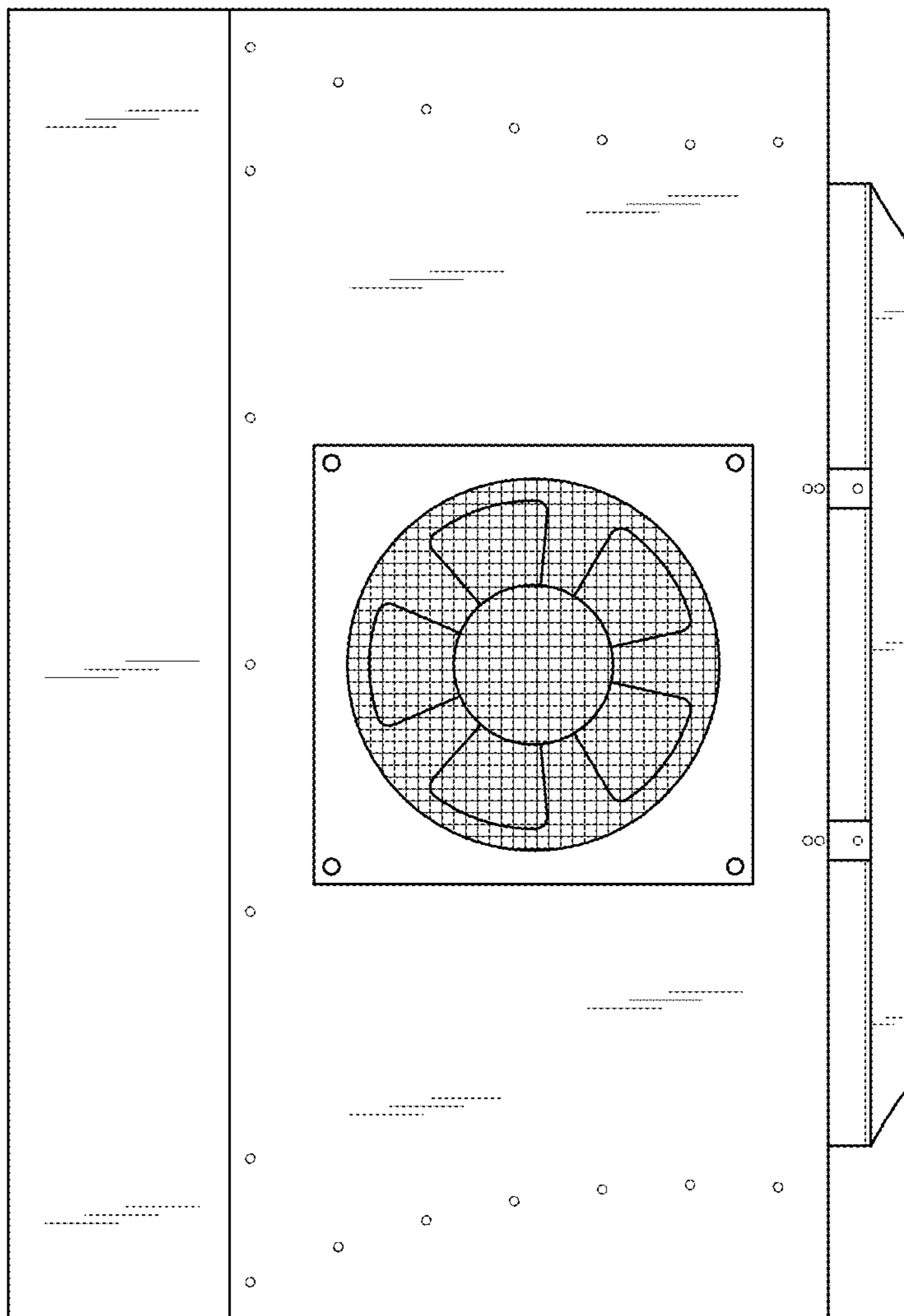


FIG. 3

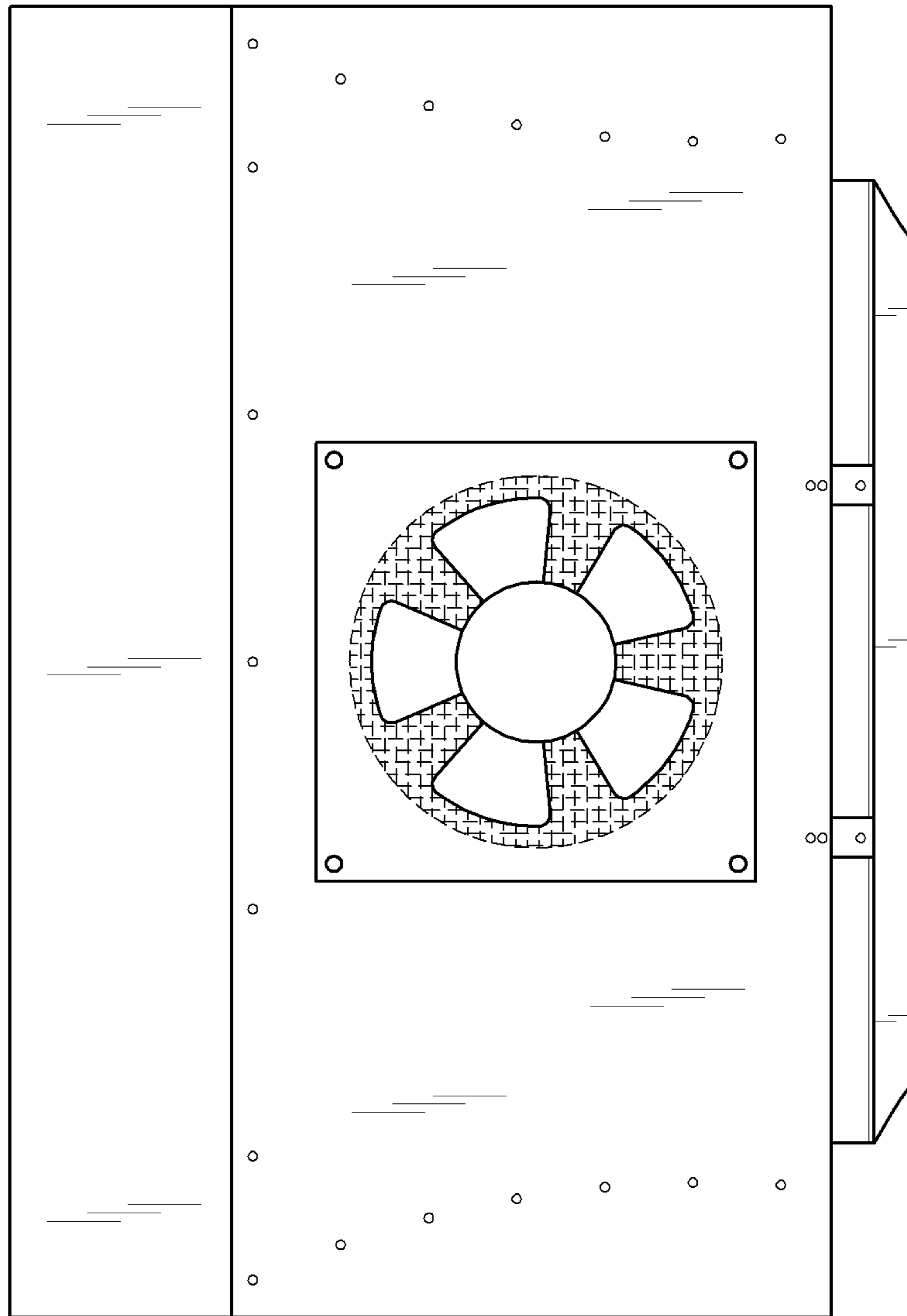


FIG. 4

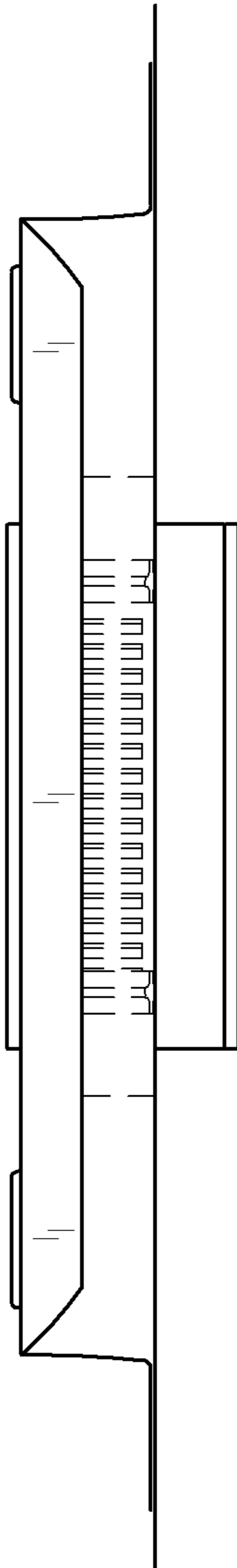


FIG. 5

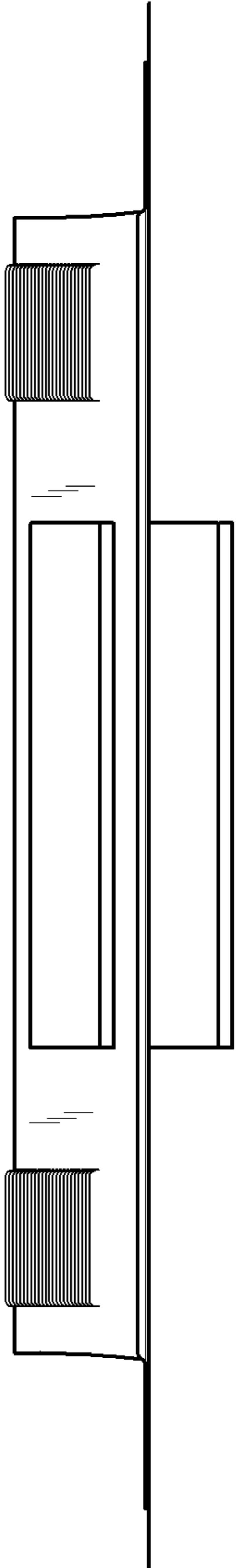


FIG. 6

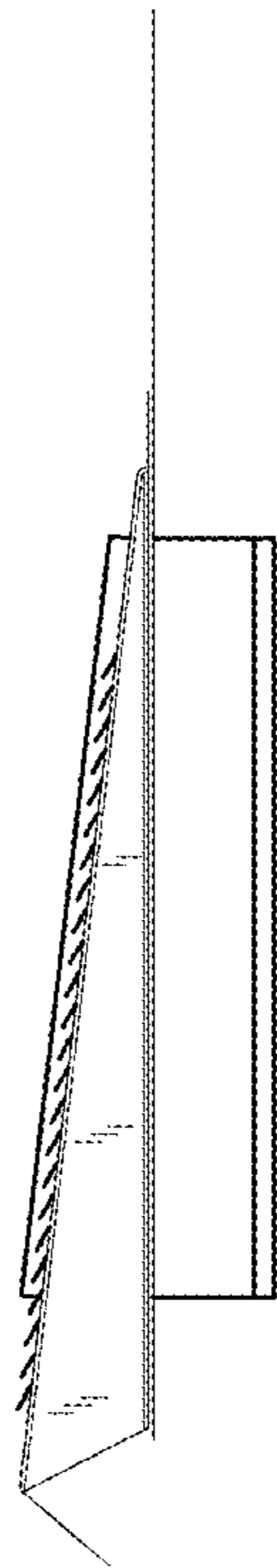


FIG. 7