



US00D755943S

(12) **United States Design Patent**  
**Lanssky**

(10) **Patent No.:** **US D755,943 S**

(45) **Date of Patent:** **\*\* May 10, 2016**

(54) **AIR PURIFIER HOUSING**

(71) Applicant: **ESTA Apparatebau GmbH & Co. KG**,  
Senden (DE)

(72) Inventor: **Uwe Lanssky**, Gotha (DE)

(73) Assignee: **ESTA Apparatebau GmbH & Co. KG**,  
Senden (DE)

(\*\*) Term: **14 Years**

(21) Appl. No.: **29/519,033**

(22) Filed: **Mar. 2, 2015**

(30) **Foreign Application Priority Data**

Sep. 1, 2014 (EM) ..... 002528935-0001

(51) **LOC (10) Cl.** ..... **23-04**

(52) **U.S. Cl.**  
USPC ..... **D23/364**

(58) **Field of Classification Search**

USPC ..... D23/356, 359, 360, 364, 366, 368, 386,  
D23/332; D15/79; 55/356, 473, 504;  
422/120, 122; 96/97

CPC ..... A61L 9/16; A61L 9/22; B01D 47/00;  
B01D 47/027; B01D 2221/02; B01D  
2259/4508; B03C 3/155; F24F 3/16; F24F  
13/20; F24F 13/28; F24F 2001/0096; F24F  
3/1405; F24F 3/1603; F24F 13/222

See application file for complete search history.

(56) **References Cited**

U.S. PATENT DOCUMENTS

D98,175 S \* 1/1936 Manning ..... D23/356  
D98,176 S \* 1/1936 Manning ..... D23/356  
D291,351 S \* 8/1987 Hitzler ..... D23/364  
D503,971 S \* 4/2005 Otaki ..... D15/79

\* cited by examiner

*Primary Examiner* — Ralf Seifert

(74) *Attorney, Agent, or Firm* — Renner, Otto, Boisselle &  
Sklar, LLP

(57) **CLAIM**

The ornamental design for a air purifier housing, as shown  
and described.

**DESCRIPTION**

FIG. 1 is a front left perspective view of an air purifier housing  
showing my design.

FIG. 2 is a front right perspective view thereof.

FIG. 3 is a front view thereof.

FIG. 4 is a top view thereof.

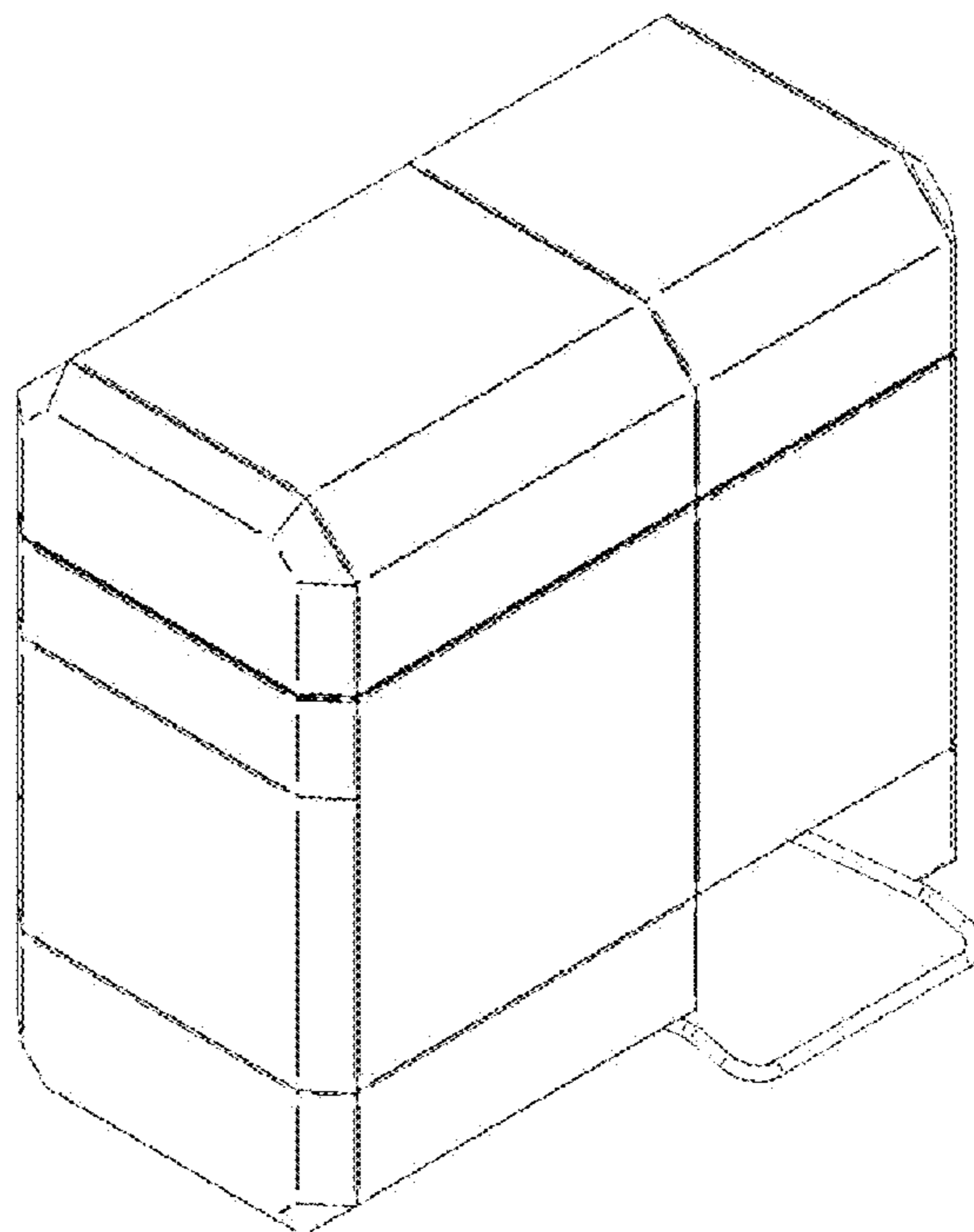
FIG. 5 is a right side view thereof.

FIG. 6 is a left side view thereof; and,

FIG. 7 is a rear perspective view thereof.

The broken lines shown herein are for illustrative purposes  
only and form no part of the claimed design. The rear and  
bottom of the air purifier housing are not being claimed as part  
of the design.

**1 Claim, 4 Drawing Sheets**



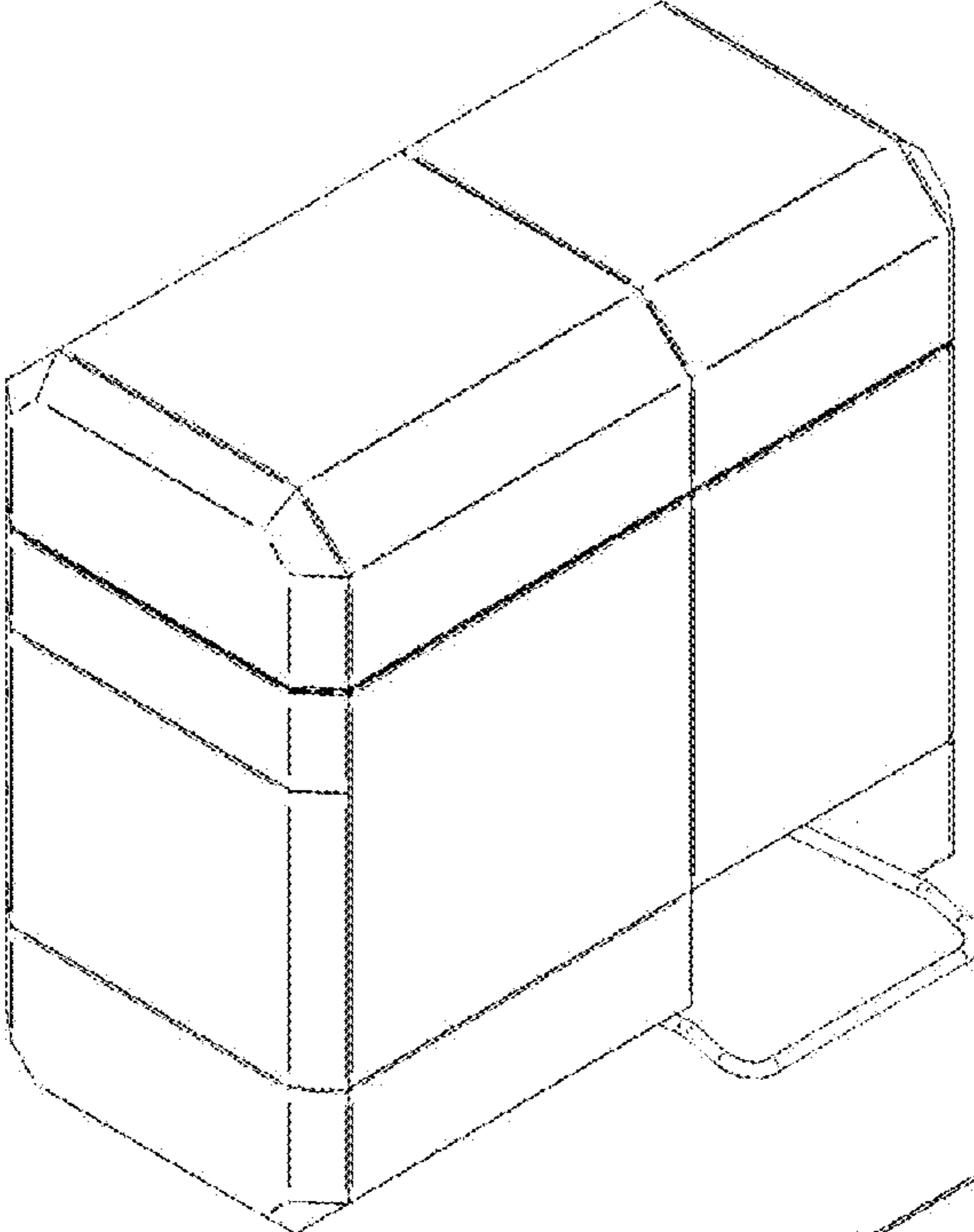


FIG. 1

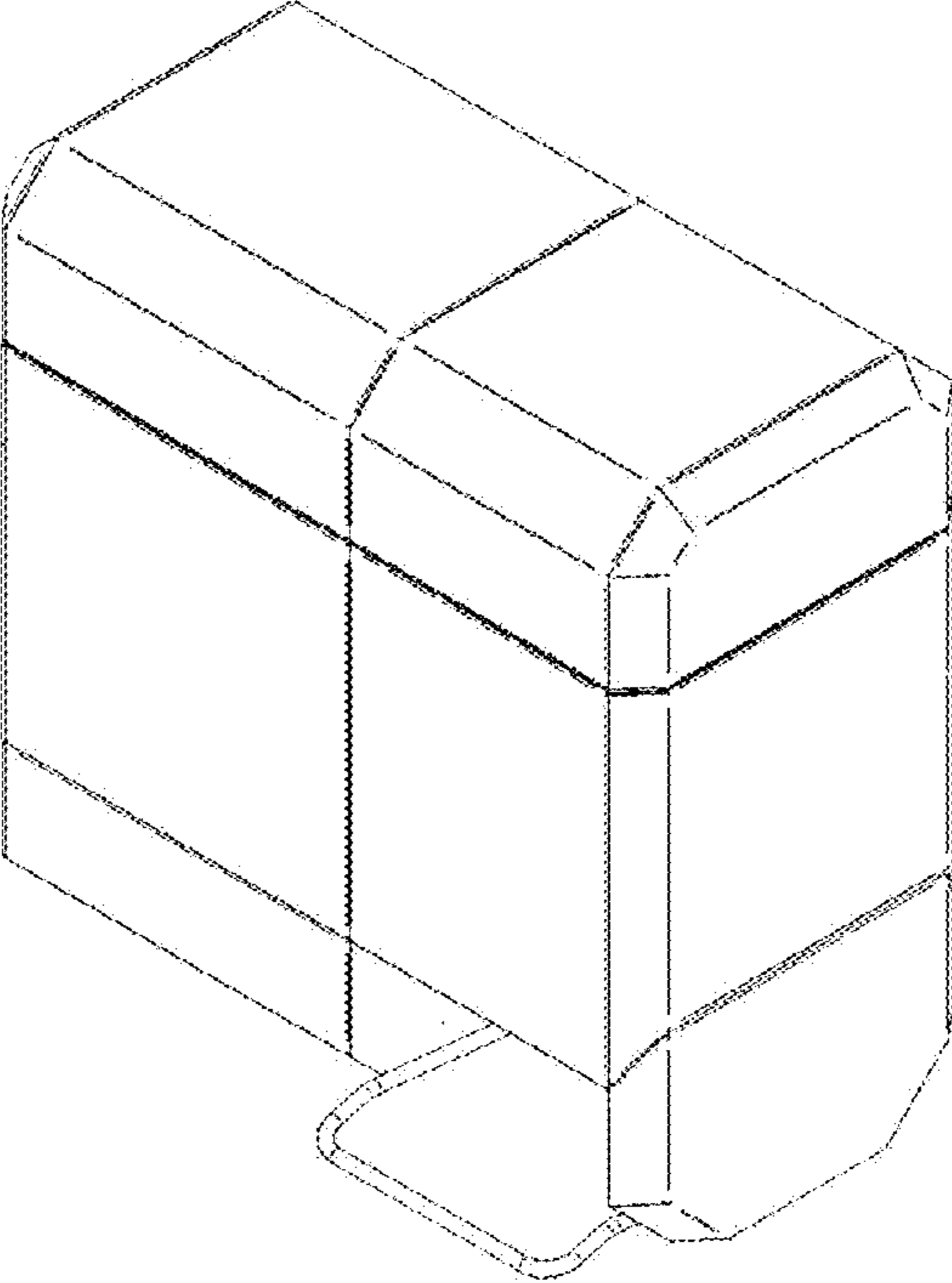


FIG. 2

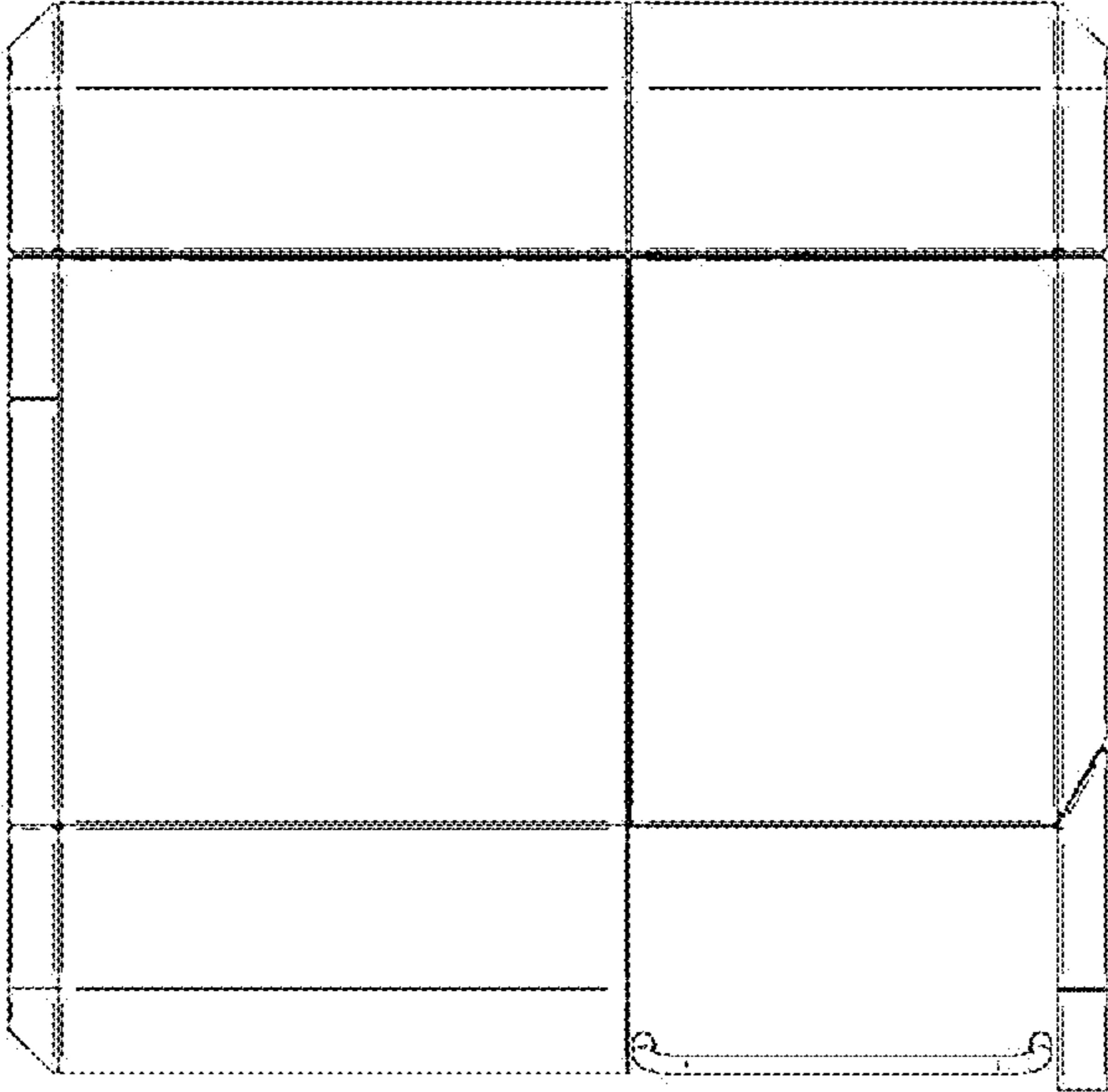


FIG. 3

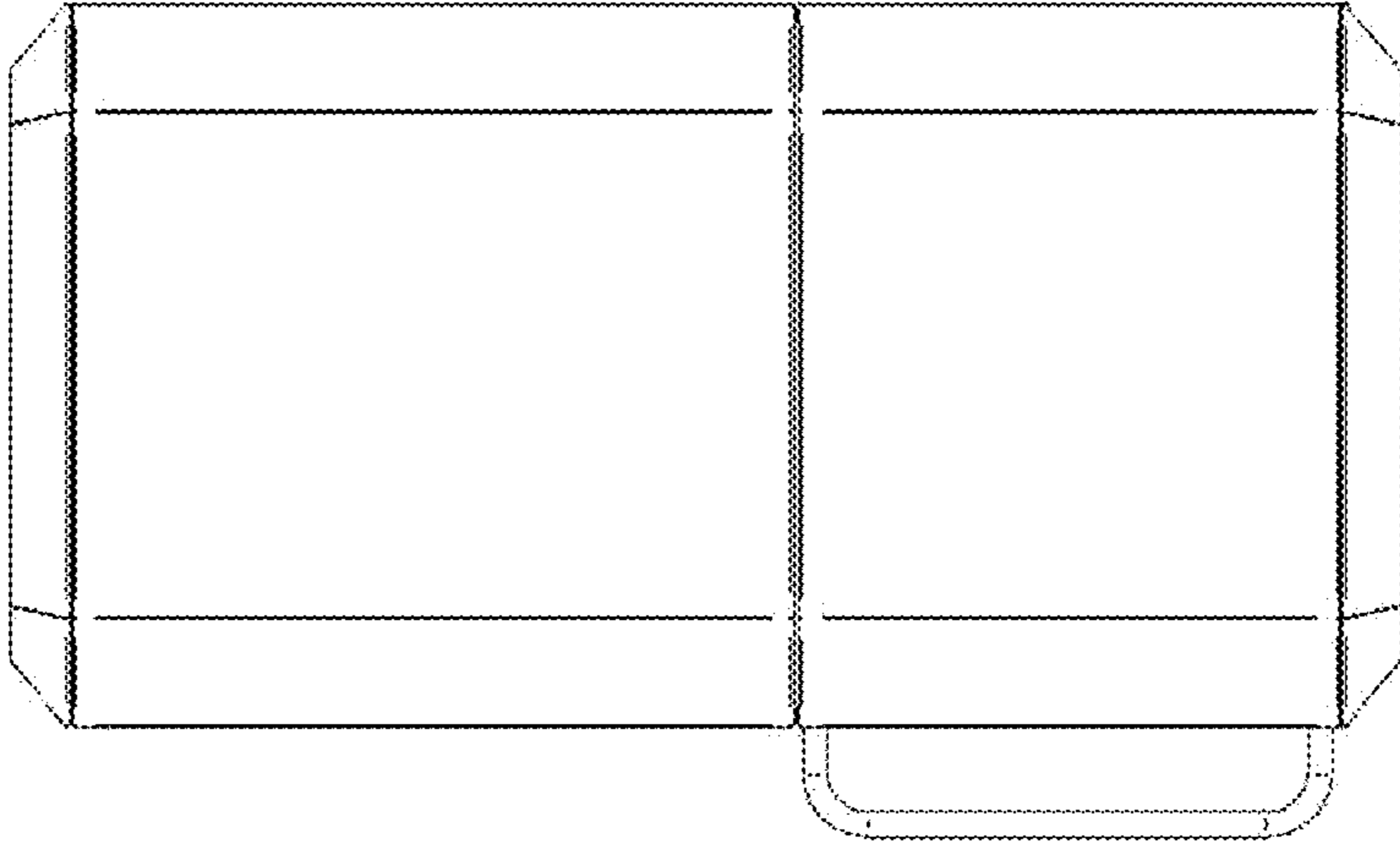


FIG. 4

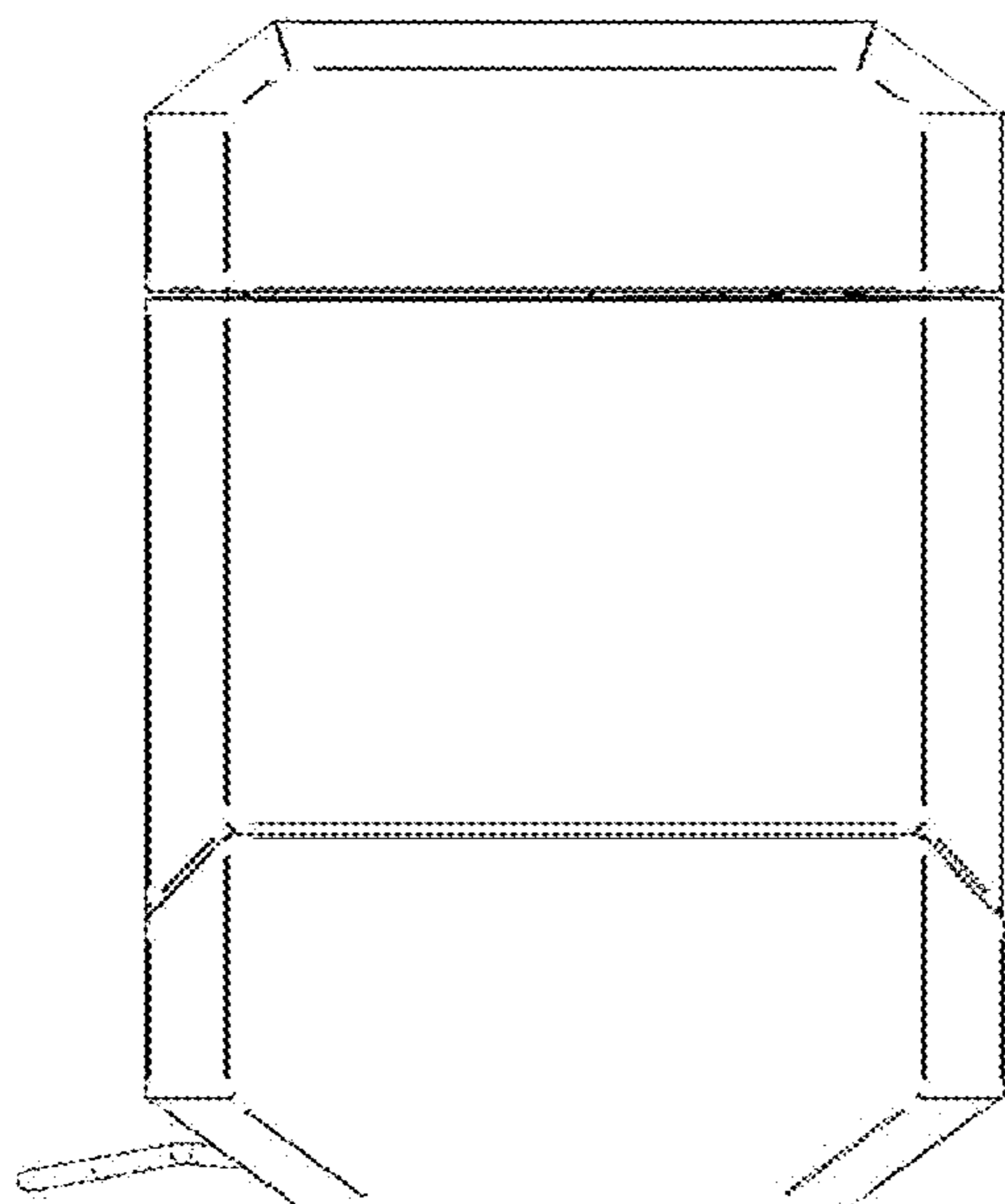
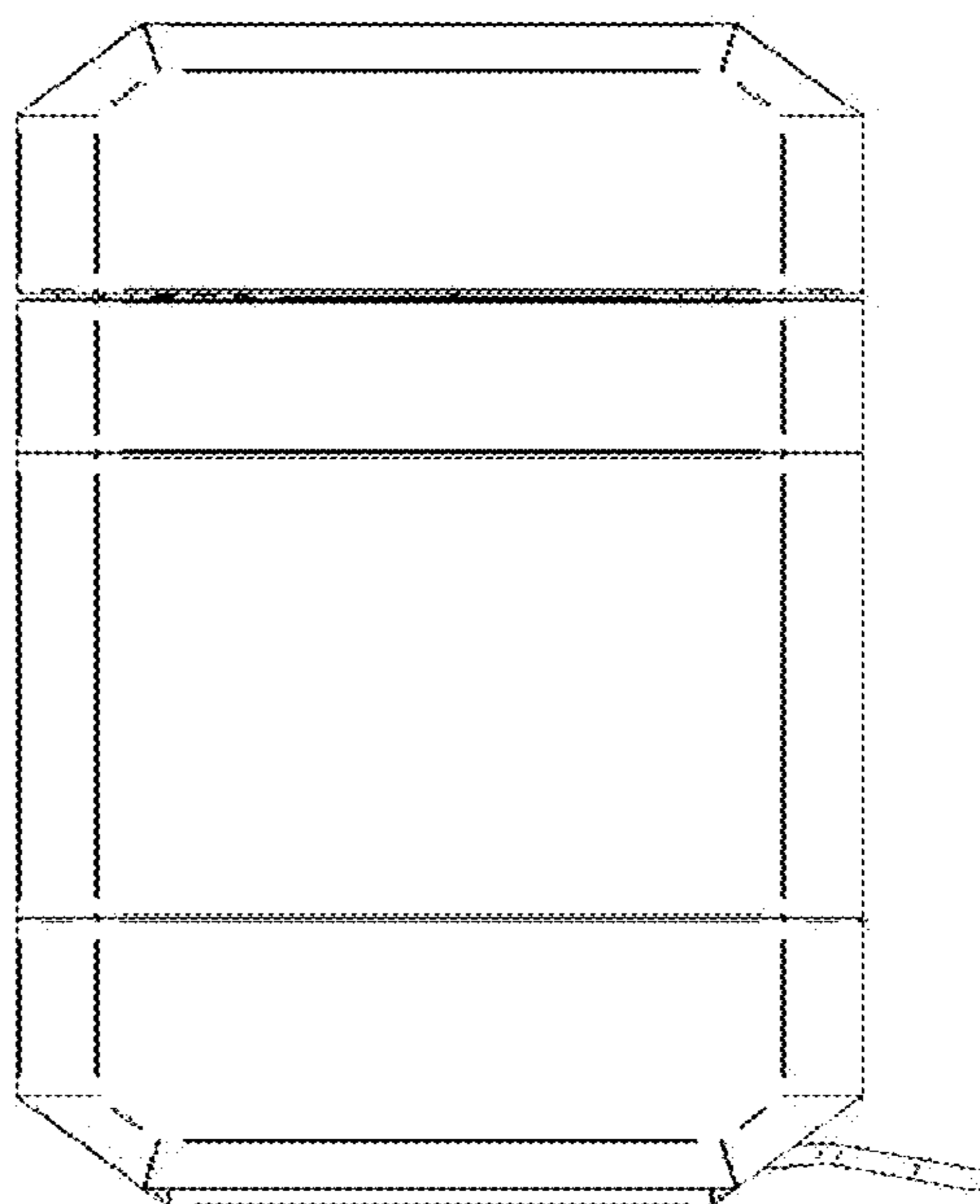


FIG. 5

FIG. 6



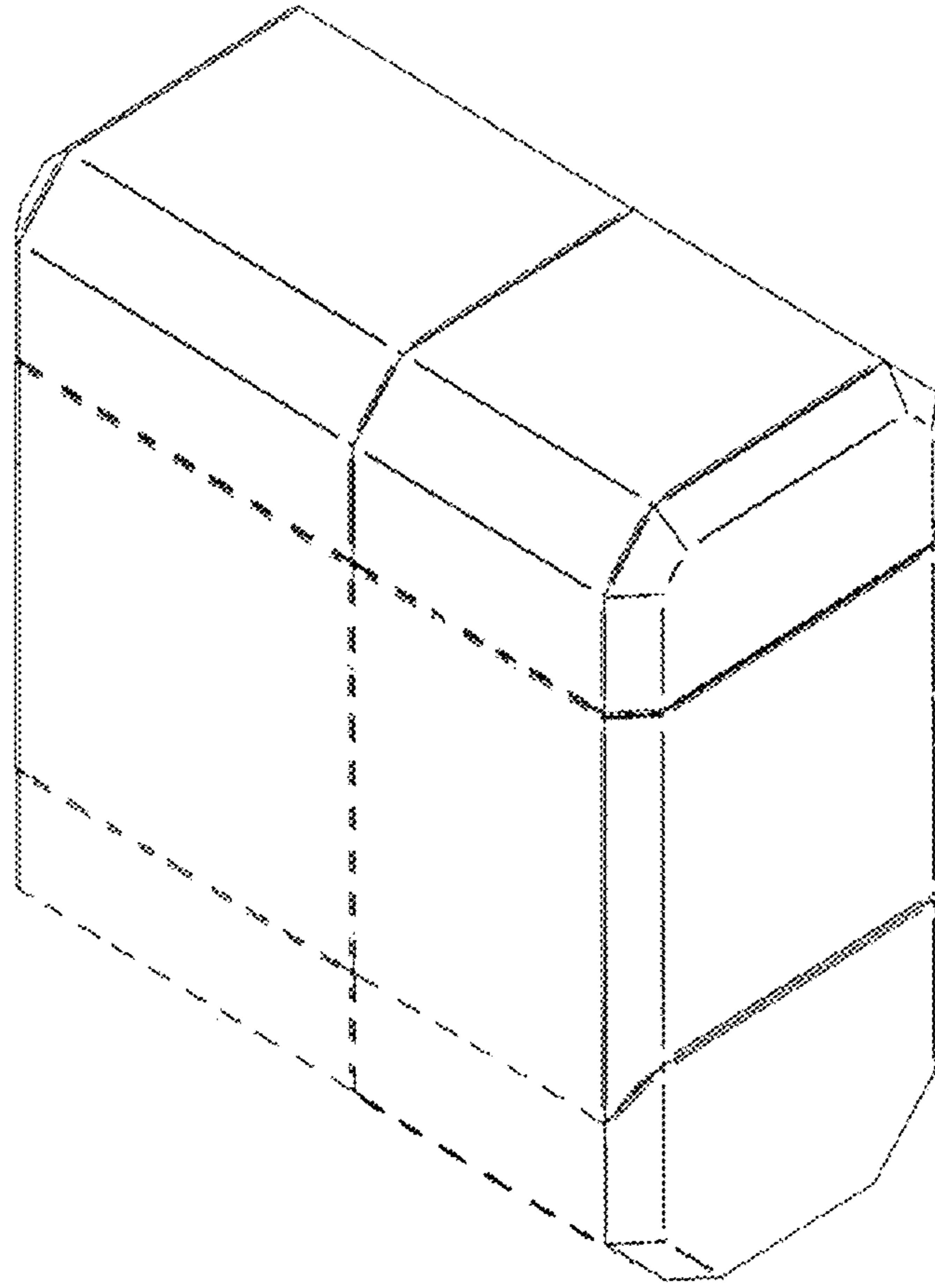


FIG. 7