



US00D755940S

(12) **United States Design Patent**
Schulze

(10) **Patent No.:** **US D755,940 S**
(45) **Date of Patent:** **** May 10, 2016**

(54) **PLUMBING PIPE**

(71) Applicant: **The Chicago Faucet Company**, Des
Plaines, IL (US)

(72) Inventor: **Michael Schulze**, Temecula, CA (US)

(73) Assignee: **The Chicago Faucet Company**, Des
Plaines, IL (US)

(**) Term: **14 Years**

(21) Appl. No.: **29/502,106**

(22) Filed: **Sep. 11, 2014**

(51) **LOC (10) Cl.** **23-01**

(52) **U.S. Cl.**
USPC **D23/266**

(58) **Field of Classification Search**
USPC D23/259–263, 266–269, 233; 251/215,
251/216; 285/369, 372, 373, 417, 133.11,
285/133.3, 133.21, 133.4, 133.5, 133.6
CPC F16L 11/00; F16L 37/252; F16L 41/007;
F16L 33/23; F16L 33/28; F16L 33/00; F16L
33/01; E03C 1/26; E03C 1/262; E03C 1/28;
E03F 5/04; A61B 5/00; A61M 25/09016
See application file for complete search history.

(56) **References Cited**

U.S. PATENT DOCUMENTS

2,082,611 A * 6/1937 Benge B29C 70/345
138/174
2,309,099 A * 1/1943 Crampton F16L 41/021
148/414
2,751,237 A * 6/1956 Conley B29C 53/76
138/109

D354,801 S * 1/1995 Grant D23/263
D389,562 S * 1/1998 Picton D23/263
D470,577 S * 2/2003 Knight D23/259
D480,786 S * 10/2003 Wilk, Jr. D23/263
D481,109 S * 10/2003 Dole D23/263
D656,225 S * 3/2012 Dole D23/263
D676,942 S * 2/2013 Kluss D23/262
2005/0104371 A1 * 5/2005 Atkinson F16L 41/021
285/133.11

* cited by examiner

Primary Examiner — Sandra Snapp

(74) *Attorney, Agent, or Firm* — Renhart Boerner Van
Deuren, s.c.

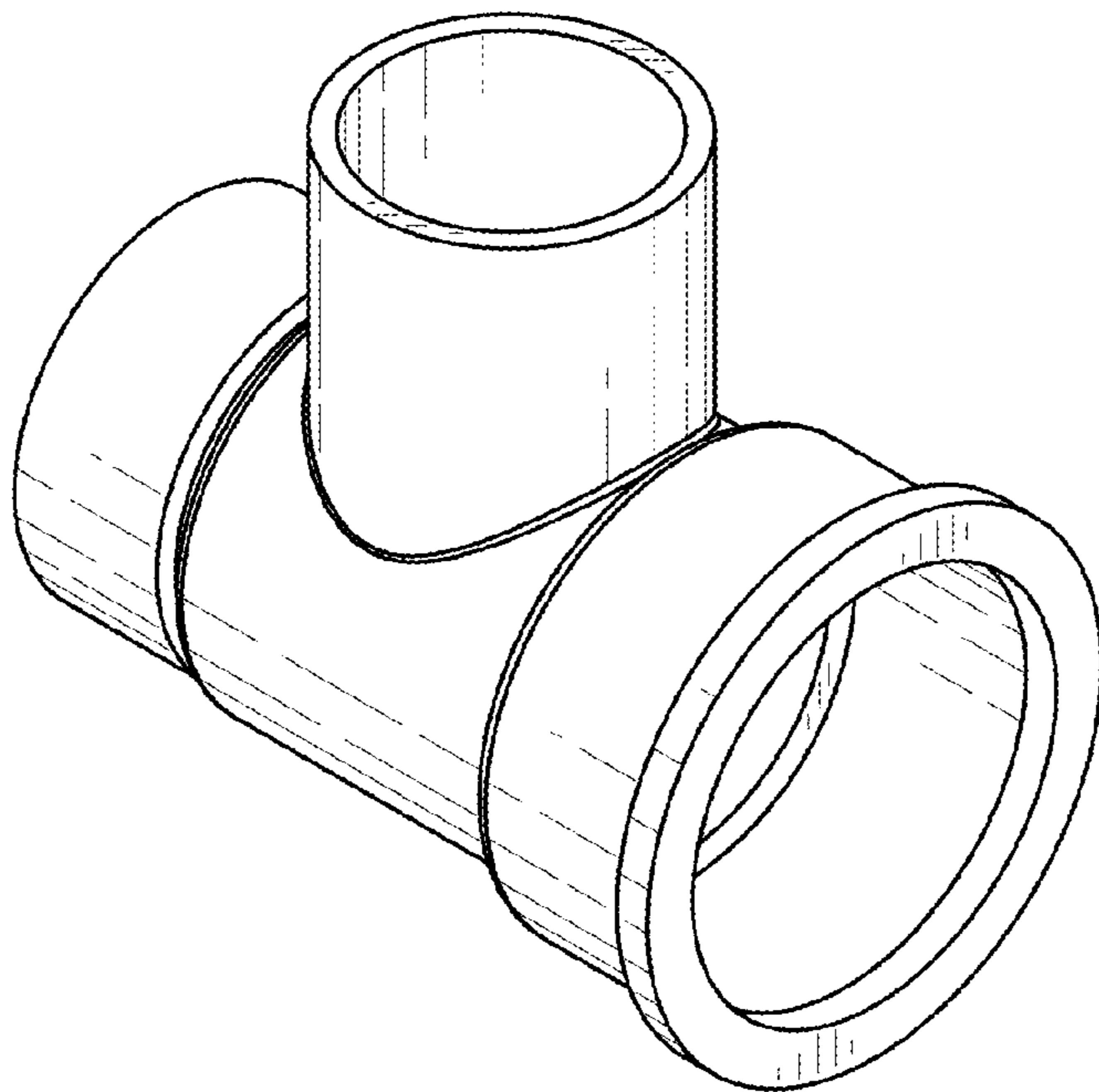
(57) **CLAIM**

The ornamental design for the plumbing pipe, as shown and
described.

DESCRIPTION

FIG. 1 is a perspective view looking at the rear of an embodi-
ment of the plumbing pipe.
FIG. 2 is a top plan view of the embodiment of the plumbing
pipe shown in FIG. 1.
FIG. 3 is a left side elevation view of the embodiment of the
plumbing pipe shown in FIG. 1.
FIG. 4 is a rear view of the embodiment of the plumbing pipe
shown in FIG. 1.
FIG. 5 is a front view of the embodiment of the plumbing pipe
shown in FIG. 1.
FIG. 6 is a bottom view of the embodiment of the plumbing
pipe shown in FIG. 1; and,
FIG. 7 is a right side elevation view of the embodiment of the
plumbing pipe shown in FIG. 1.

1 Claim, 2 Drawing Sheets



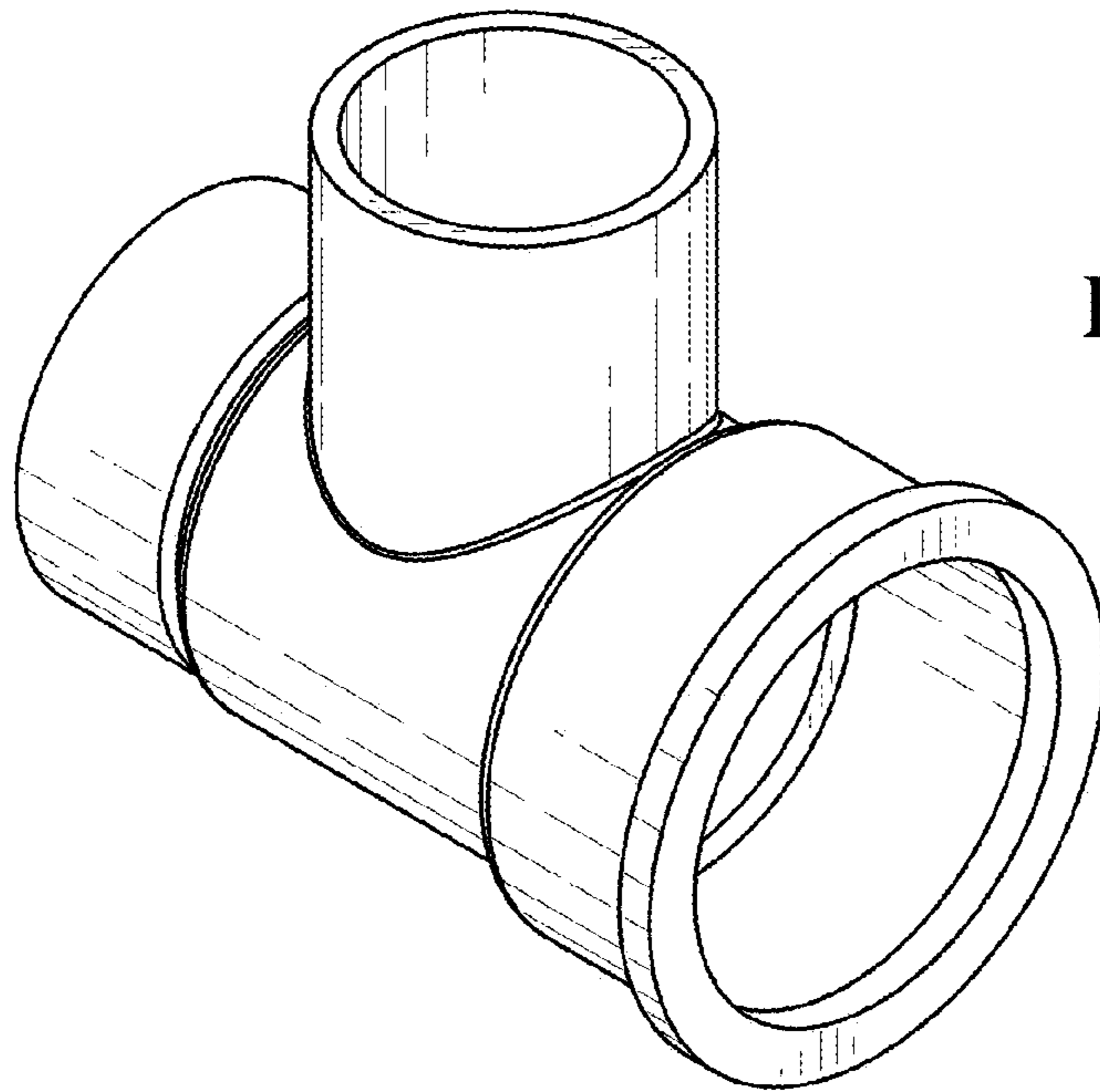


Fig. 1

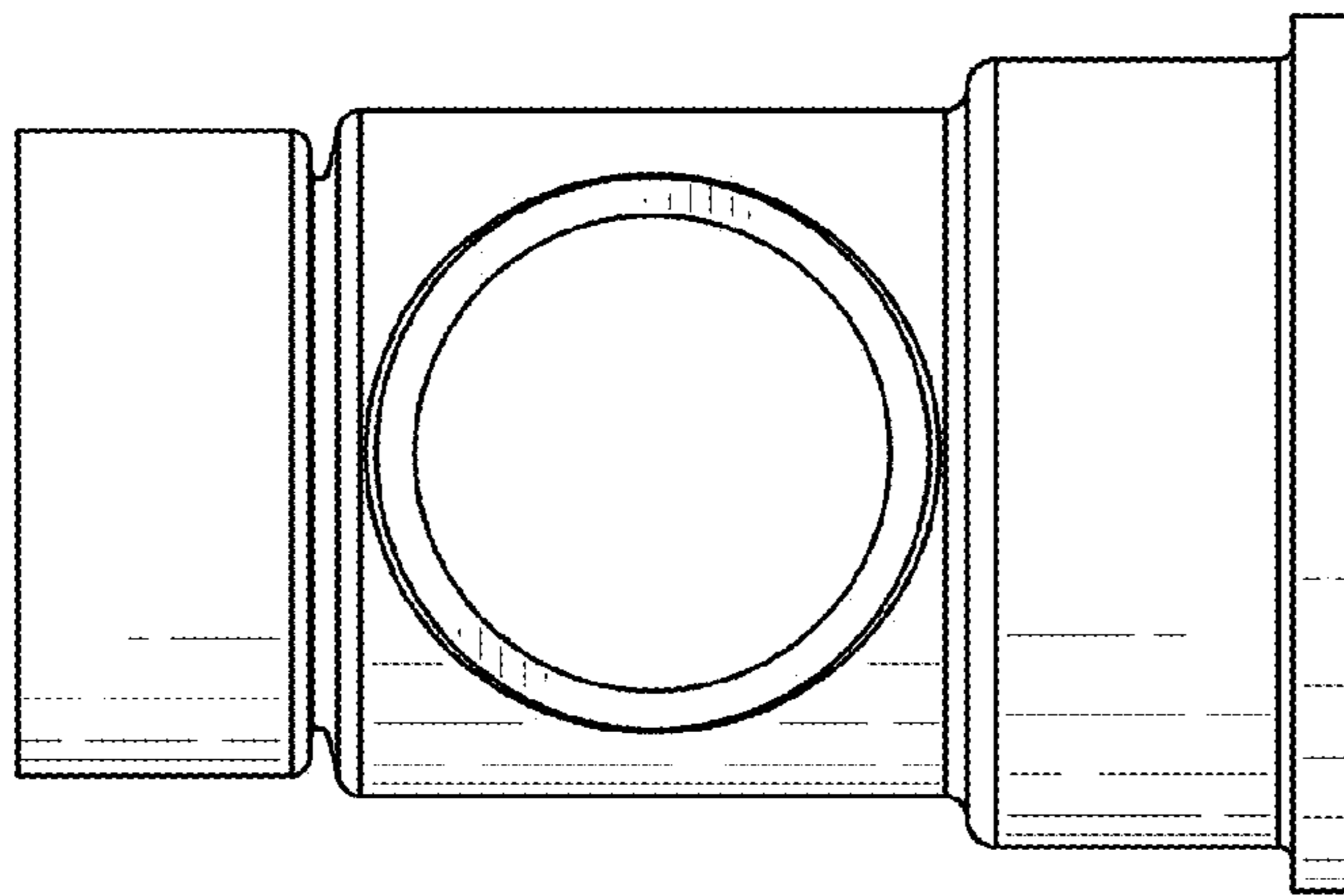


Fig. 2

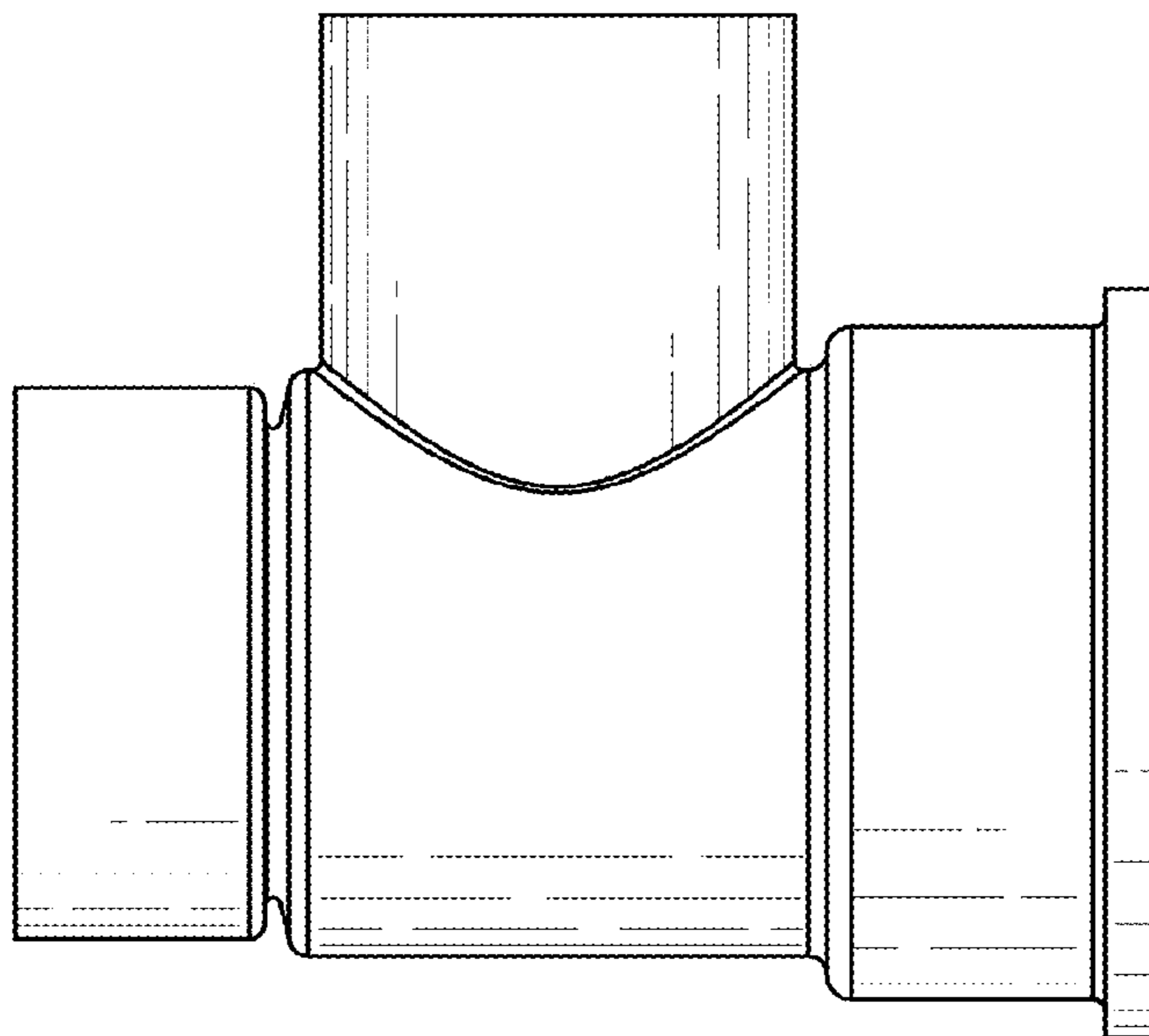


Fig. 3

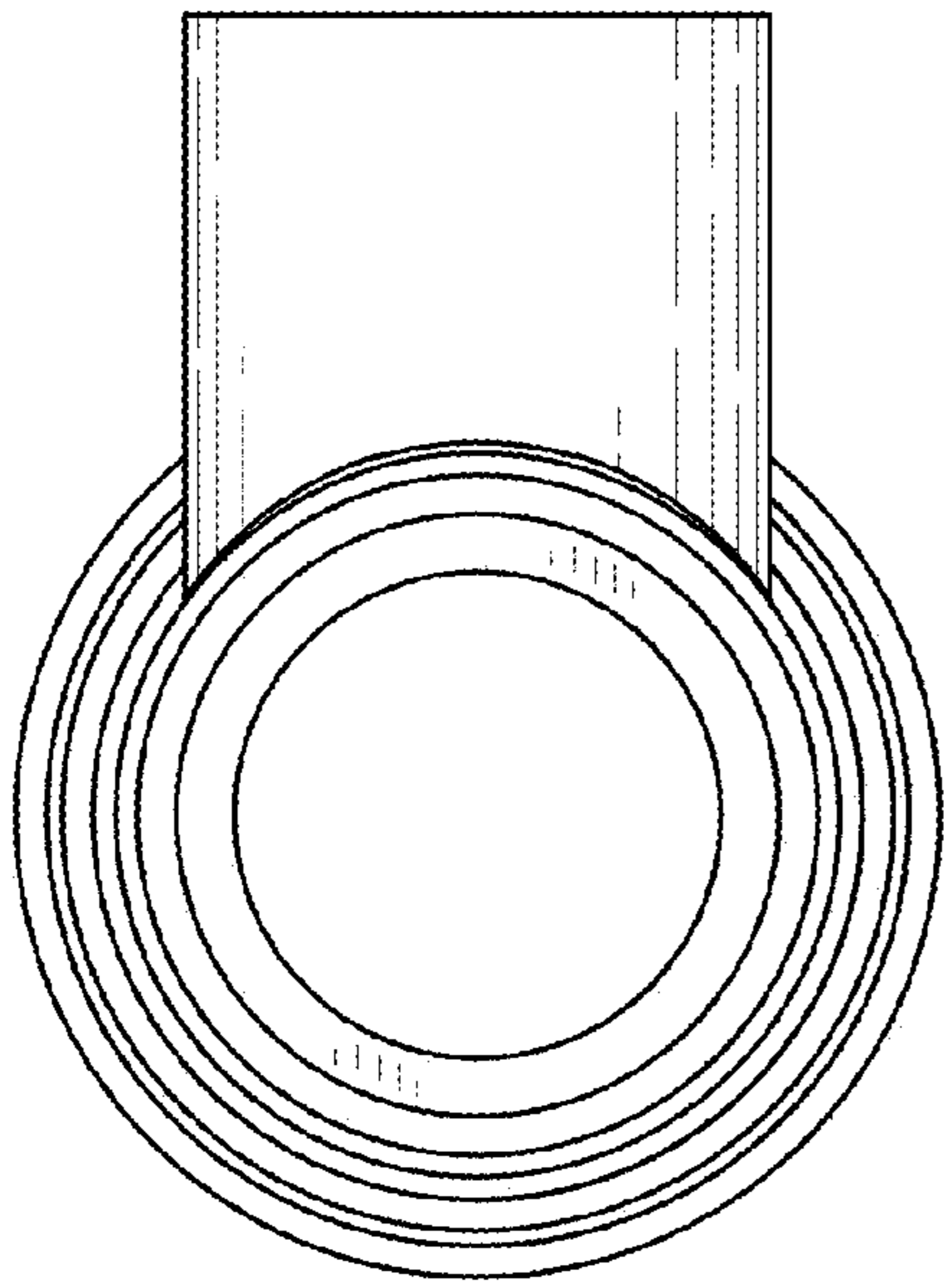


Fig. 4

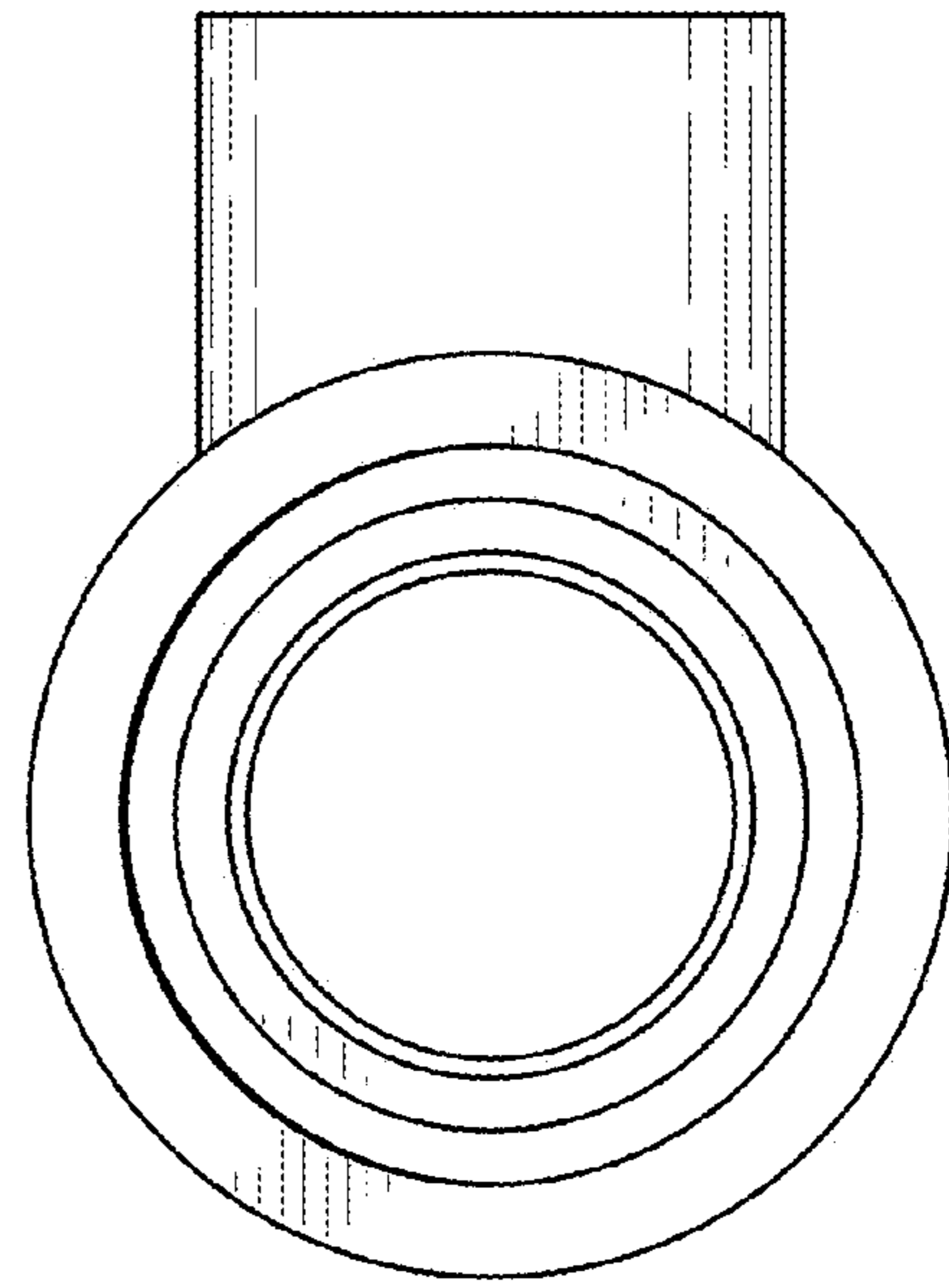


Fig. 5

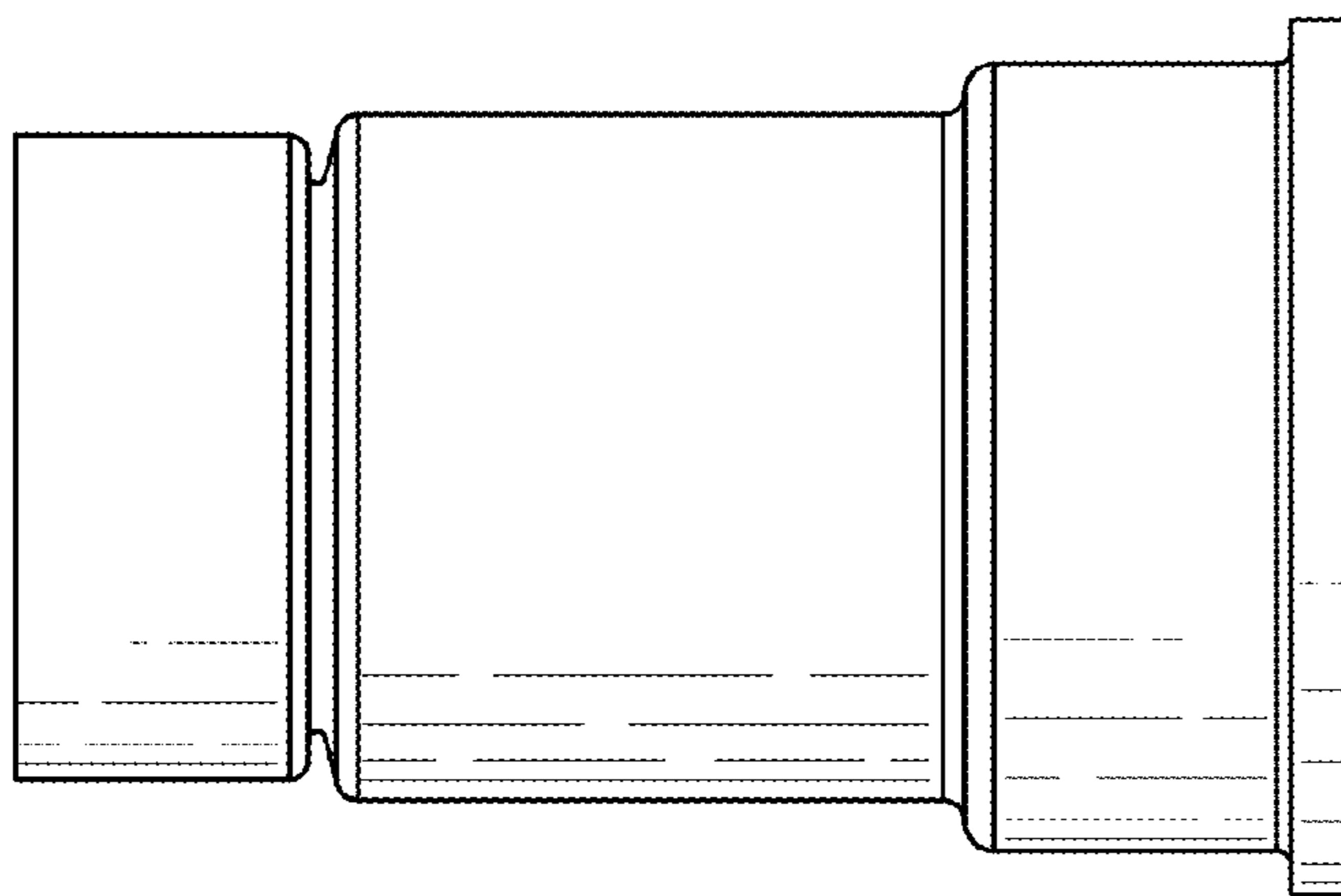


Fig. 6

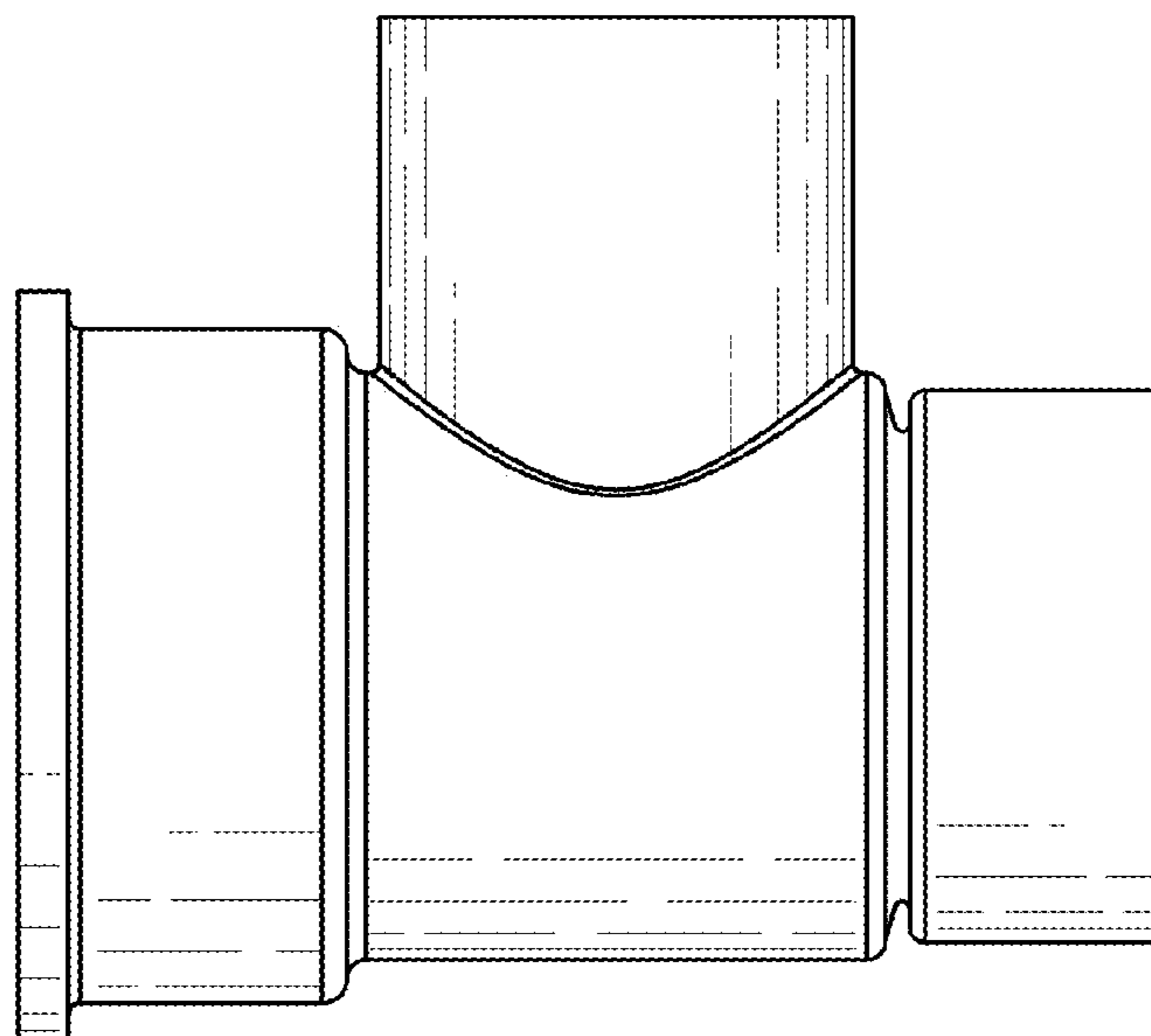


Fig. 7