

US00D755939S

(12) **United States Design Patent**
Salser, Jr.

(10) **Patent No.:** **US D755,939 S**
(45) **Date of Patent:** **** May 10, 2016**

(54) **METER ADAPTER**

(71) Applicant: **Floyd Stanley Salser, Jr.**, Ocala, FL
(US)

(72) Inventor: **Floyd Stanley Salser, Jr.**, Ocala, FL
(US)

(73) Assignee: **OW INVESTORS, LLC**, Tampa, FL
(US)

(**) Term: **14 Years**

(21) Appl. No.: **29/480,517**

(22) Filed: **Jan. 27, 2014**

(51) **LOC (10) Cl.** **23-01**

(52) **U.S. Cl.**
USPC **D23/262**

(58) **Field of Classification Search**
USPC D23/262, 265
CPC F16L 19/06; F16L 19/0212; F16L 55/134;
F16L 27/12; F16L 25/12; F16L 41/06; F16K
7/10; F16K 43/00; B05B 15/068; B05B
15/10; E03B 7/072; E03B 7/09; G01F 15/185;
Y10S 285/906

See application file for complete search history.

(56) **References Cited**

U.S. PATENT DOCUMENTS

2,058,735 A * 10/1936 Stallard 285/342
D710,485 S * 8/2014 Nudo D23/262

OTHER PUBLICATIONS

Ford Meter Box, "Meter Adapter", (Oct. 28, 2010).
Ford Meter Box, "Section H", (Jan. 2014).
Mueller Co., "Catalog Section 8E" (unknown).
Ford Meter Box, "Meter Adapter (A21-NL Compact Body Style",
(Jun. 3, 2014).

* cited by examiner

Primary Examiner — Antoine D Davis

(74) *Attorney, Agent, or Firm* — Monty Simmons; Simmons
Patents

(57) **CLAIM**

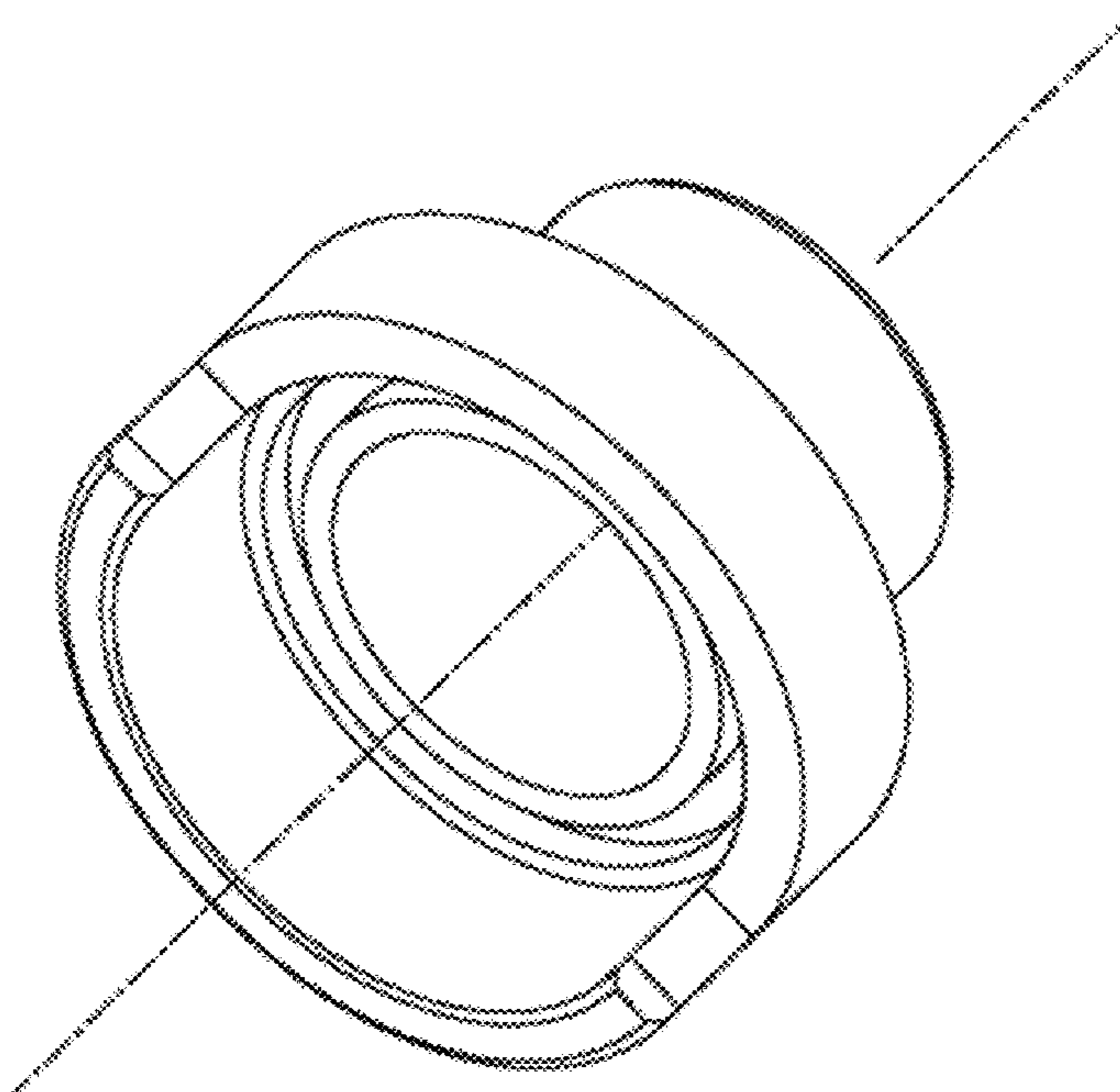
The ornamental design for a meter adapter, as shown and
described.

DESCRIPTION

FIG. 1 is an elevated front perspective thereof;
FIG. 2 is a front elevational view thereof;
FIG. 3 is a rear elevational view thereof;
FIG. 4 is a right side elevational view thereof;
FIG. 5 is a left side elevational view thereof;
FIG. 6 is a top plan view thereof; and,
FIG. 7 is a bottom plan view thereof.

The broken lines represent the bounds of the claimed design
and are for illustrative purposes only; the broken lines form no
part of the claimed design.

1 Claim, 7 Drawing Sheets



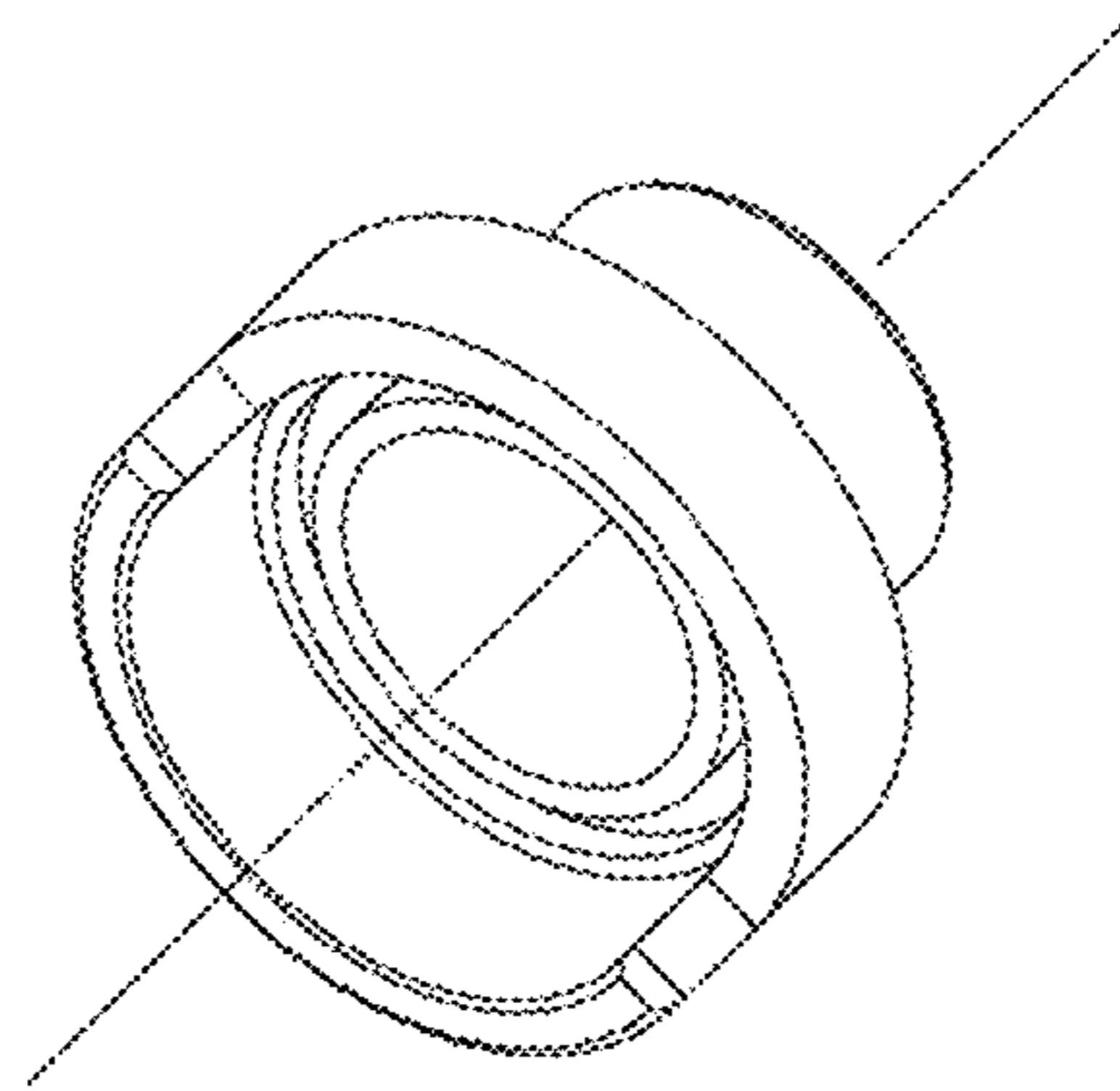


Fig. 1

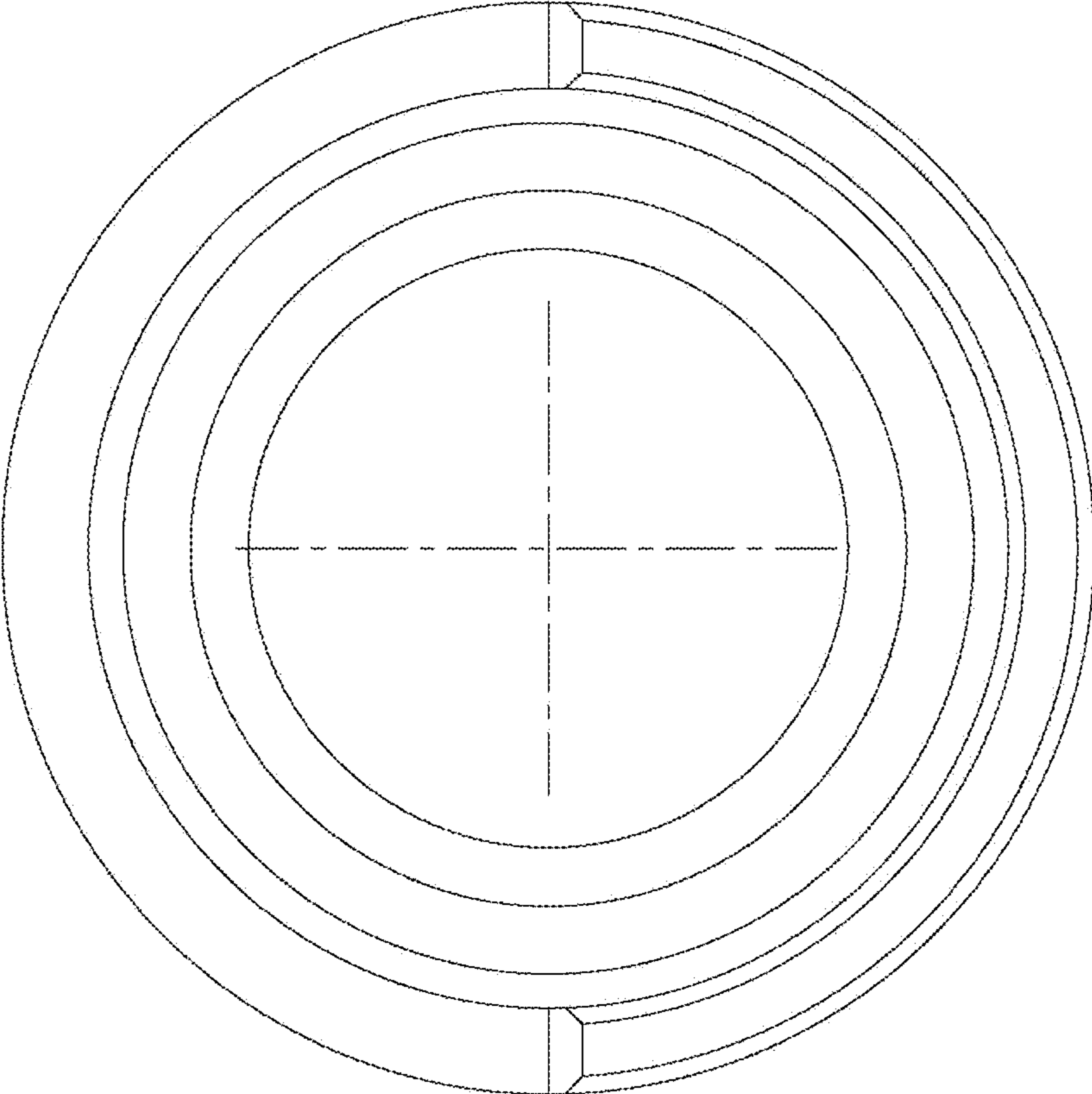


Fig. 2

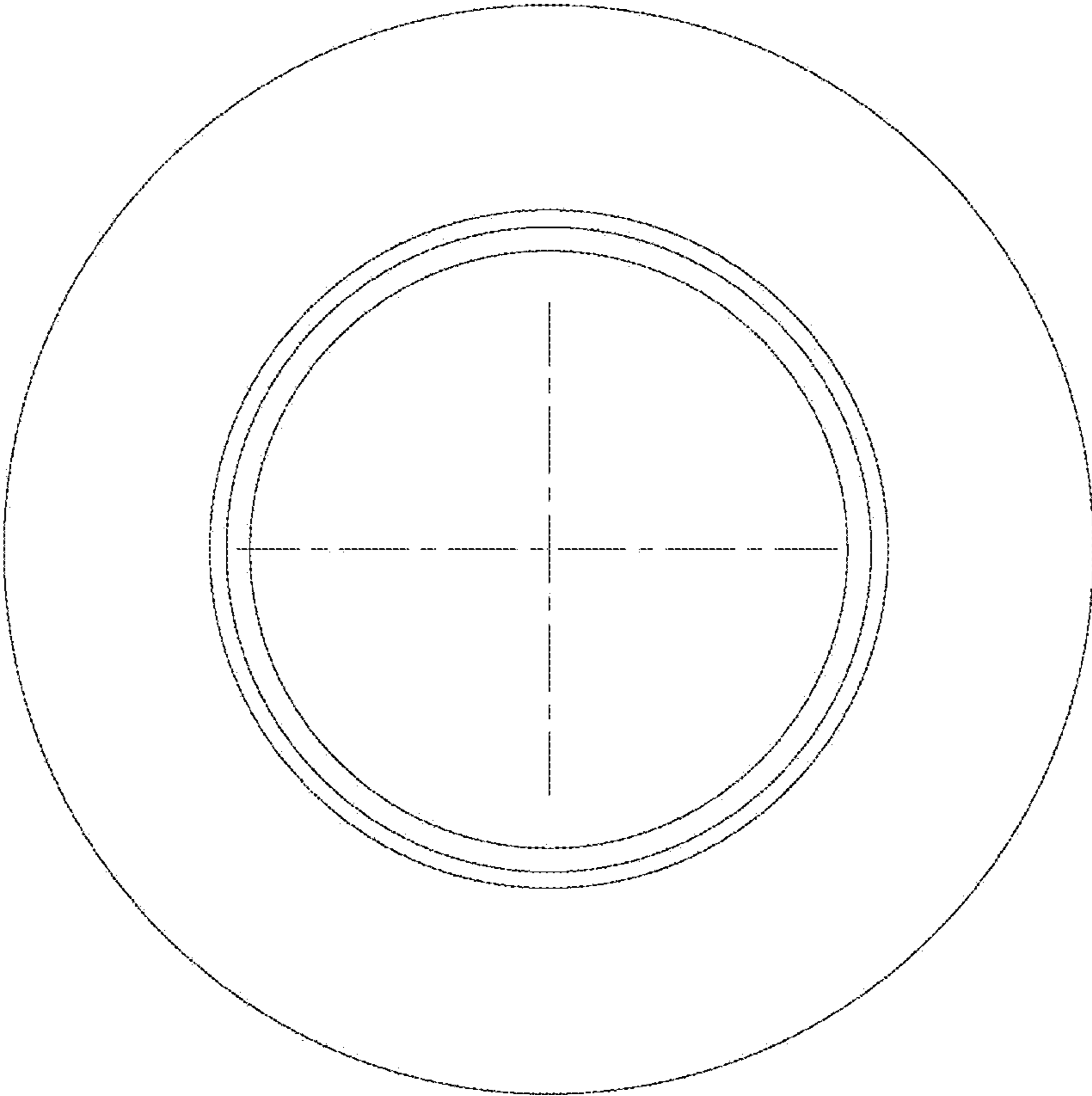


Fig. 3

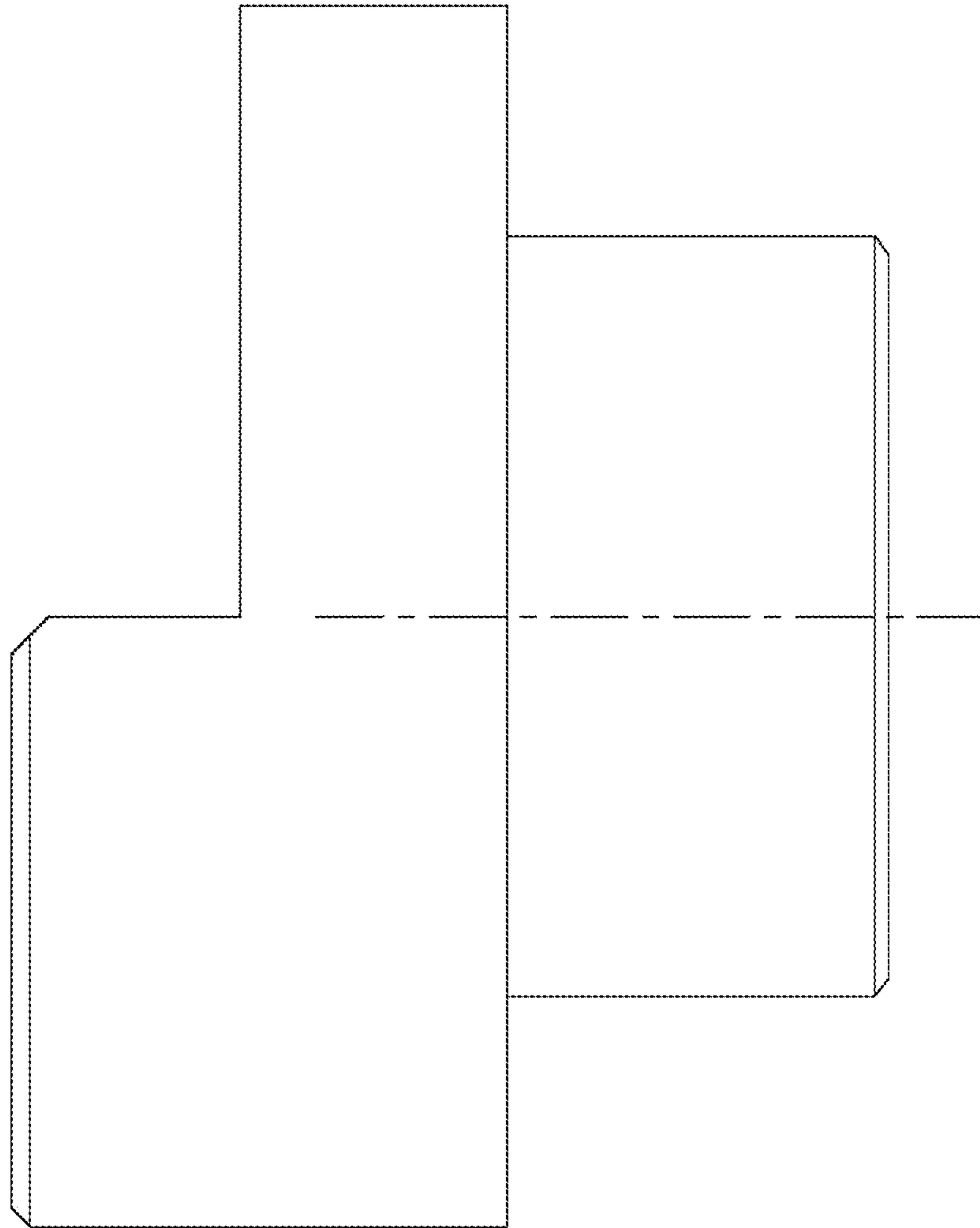


Fig. 4

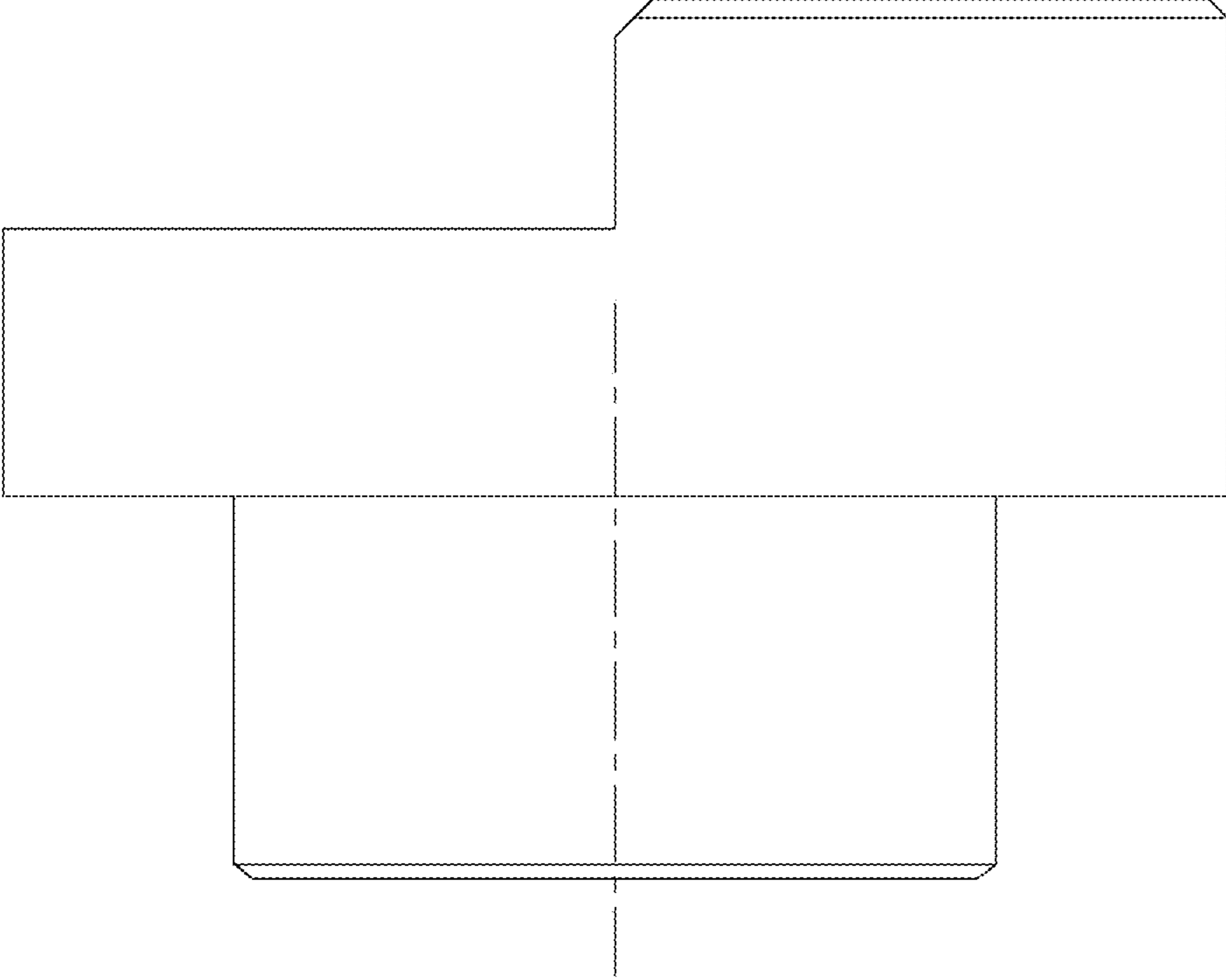


Fig. 5

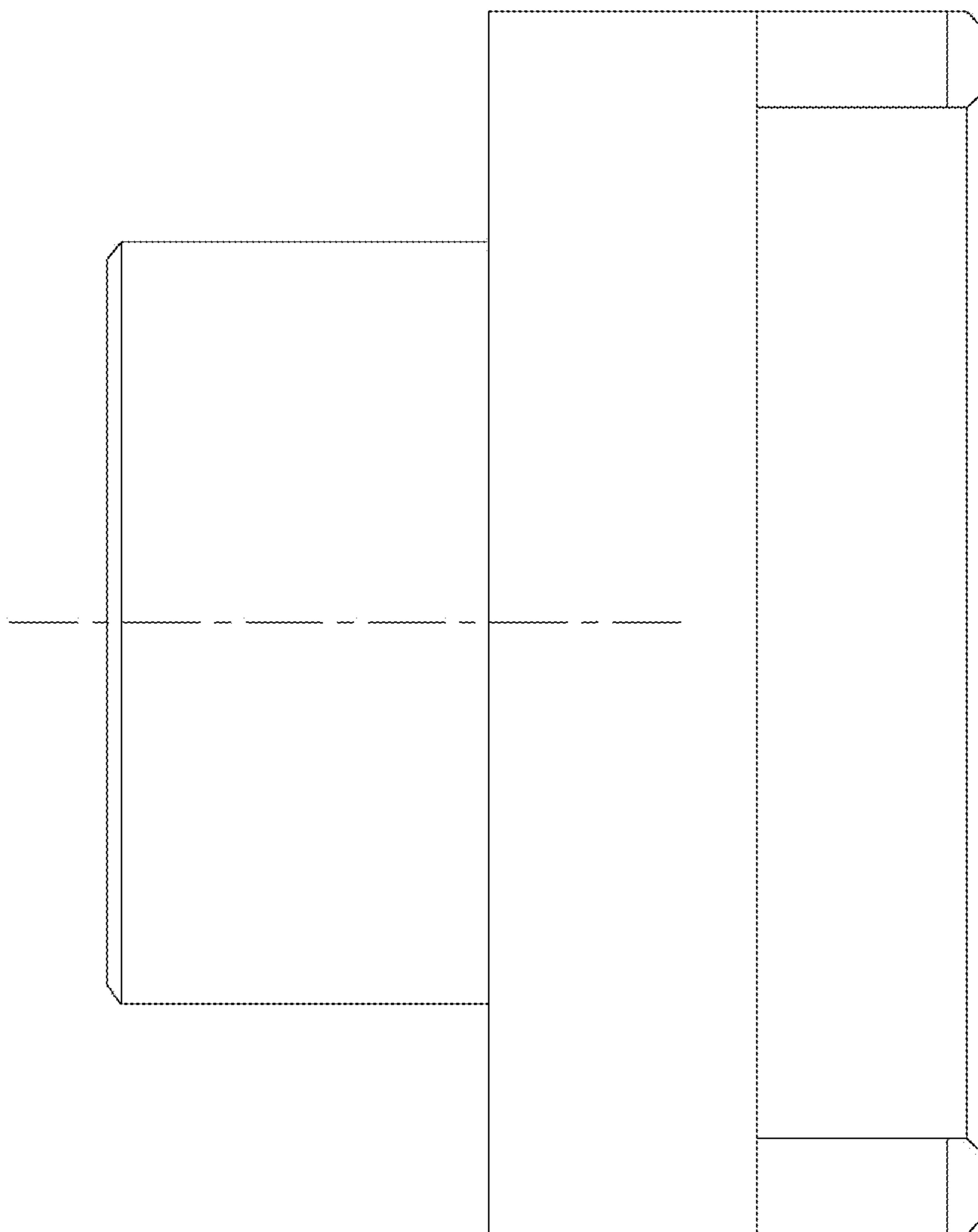


Fig. 6

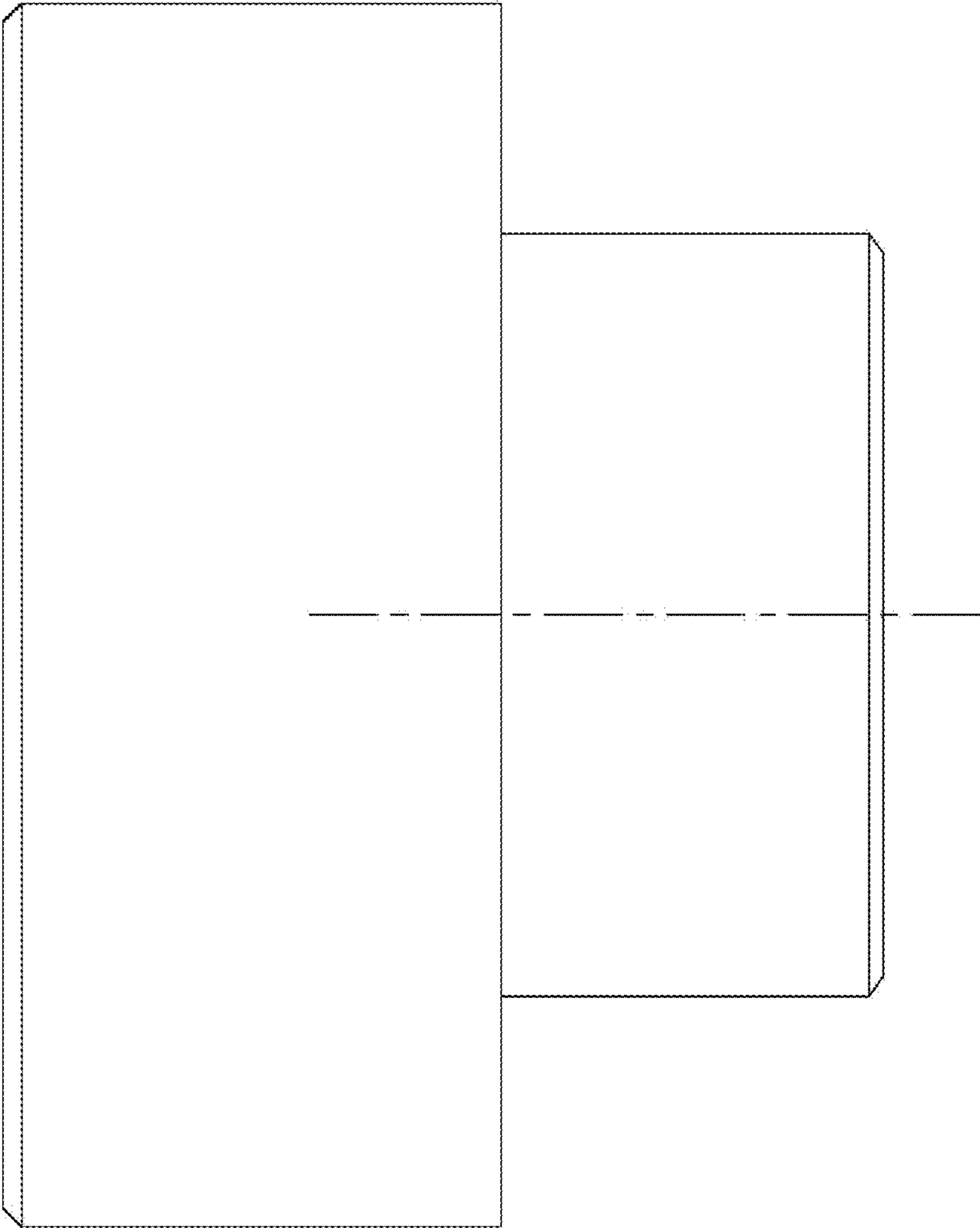


Fig. 7