



US00D755937S

(12) **United States Design Patent**
Crochet, Sr. et al.

(10) **Patent No.:** **US D755,937 S**

(45) **Date of Patent:** **** *May 10, 2016**

(54) **BLEED RING BODY**

(71) Applicant: **Aegis Flow Technologies, L.L.C.**,
Geismar, LA (US)

(72) Inventors: **Kevin W. Crochet, Sr.**, Baton Rouge,
LA (US); **Norman Eger**, Baton Rouge,
LA (US); **Sidney A. Rovira**, St. Amant,
LA (US)

(73) Assignee: **Aegis Flow Technologies, L.L.C.**,
Geismar, LA (US)

(*) Notice: This patent is subject to a terminal dis-
claimer.

(**) Term: **14 Years**

(21) Appl. No.: **29/453,273**

(22) Filed: **Apr. 26, 2013**

(51) **LOC (10) Cl.** **23-01**

(52) **U.S. Cl.**
USPC **D23/259**

(58) **Field of Classification Search**
USPC D23/233, 245, 259–269; 285/86–93
See application file for complete search history.

(56) **References Cited**

U.S. PATENT DOCUMENTS

D16,160	S	*	7/1885	Crane	D23/265
2,303,311	A	*	11/1942	Gredell	285/331
D198,885	S	*	8/1964	Gifford	D23/244
D198,886	S	*	8/1964	Gifford	D23/244
D251,255	S	*	3/1979	Hansen et al.	D23/244
D284,022	S	*	5/1986	Milot et al.	D23/265

D294,384	S	*	2/1988	Endo et al.	D23/265
5,749,607	A	*	5/1998	Carr	285/93
6,017,056	A	*	1/2000	Lee	280/739
D481,299	S	*	10/2003	Fujioka	D8/382
D504,809	S	*	5/2005	Sato et al.	D8/382
D572,578	S	*	7/2008	Sato et al.	D8/382
7,942,452	B2	*	5/2011	Carns et al.	285/93
D654,092	S	*	2/2012	Lugli et al.	D15/5
2003/0220146	A1	*	11/2003	Bonninger et al.	464/73

* cited by examiner

Primary Examiner — Kevin Rudzinski

Assistant Examiner — John Reickel

(74) *Attorney, Agent, or Firm* — Roy Kiesel Ford Doody &
Thurmon

(57) **CLAIM**

The ornamental design for a bleed ring body, as shown and
described.

DESCRIPTION

FIG. 1 is a three-quarter front perspective view of the bleed
ring body.

FIG. 2 is a front view of the bleed ring body.

FIG. 3 is a back view of the bleed ring body.

FIG. 4 is a side view of one side of the bleed ring body.

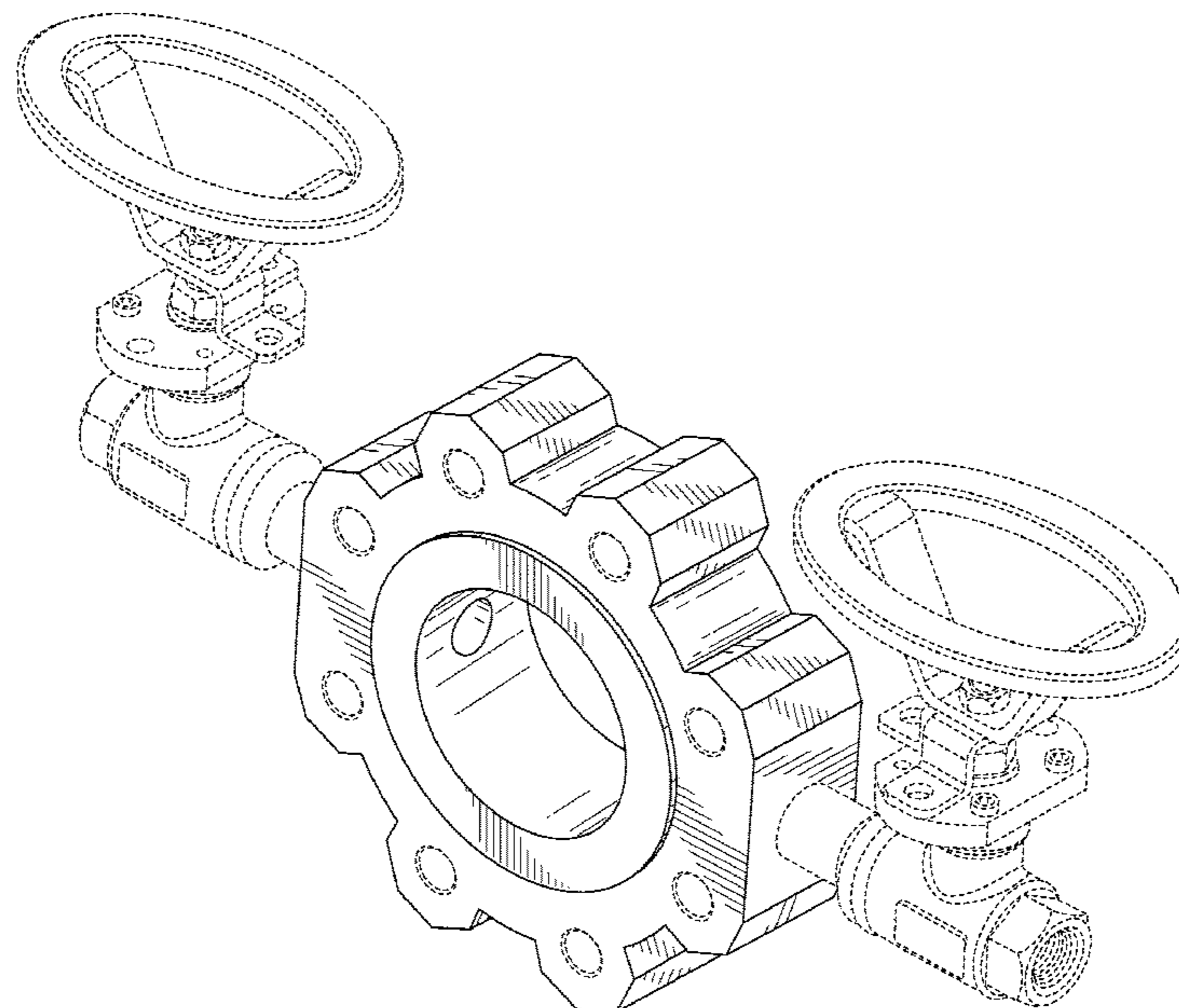
FIG. 5 is a side view of the opposite side of the bleed ring
body.

FIG. 6 is a top view of the bleed ring body; and,

FIG. 7 is a bottom view of the bleed ring body.

The broken line showing of the assembly is included for the
purpose of illustrating environmental structure and forms no
part of the claimed design.

1 Claim, 5 Drawing Sheets



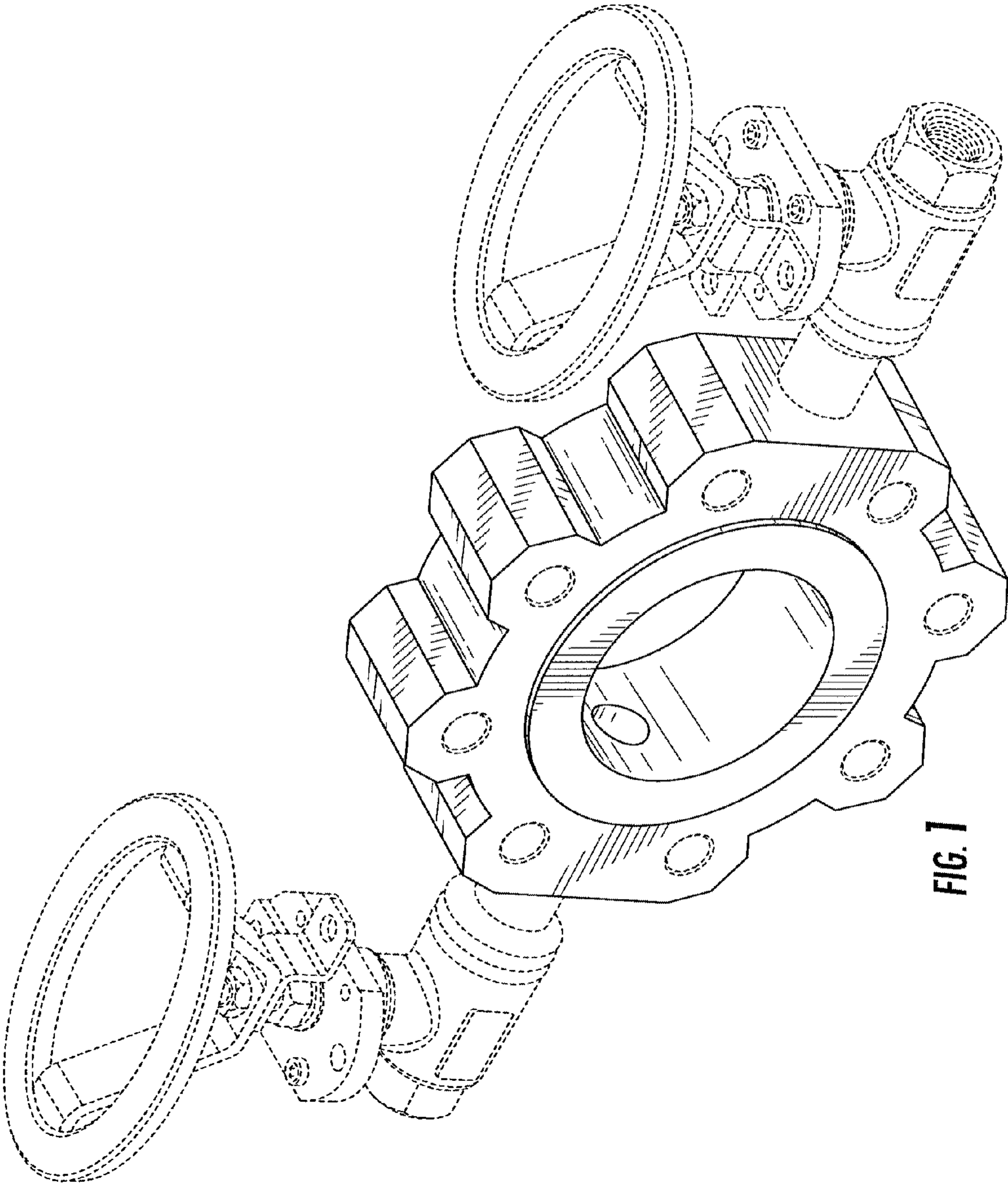


FIG. 1

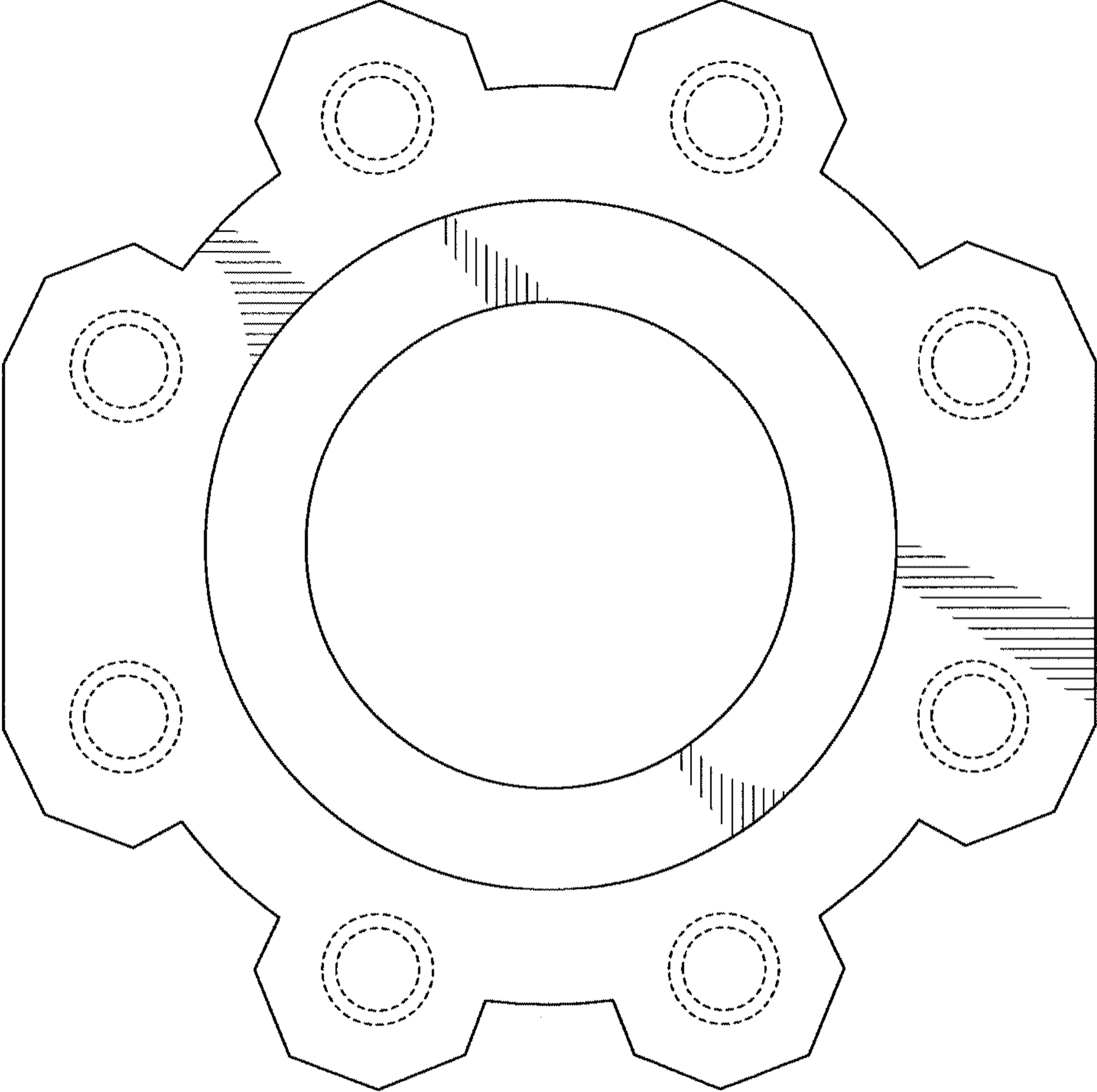


FIG. 2

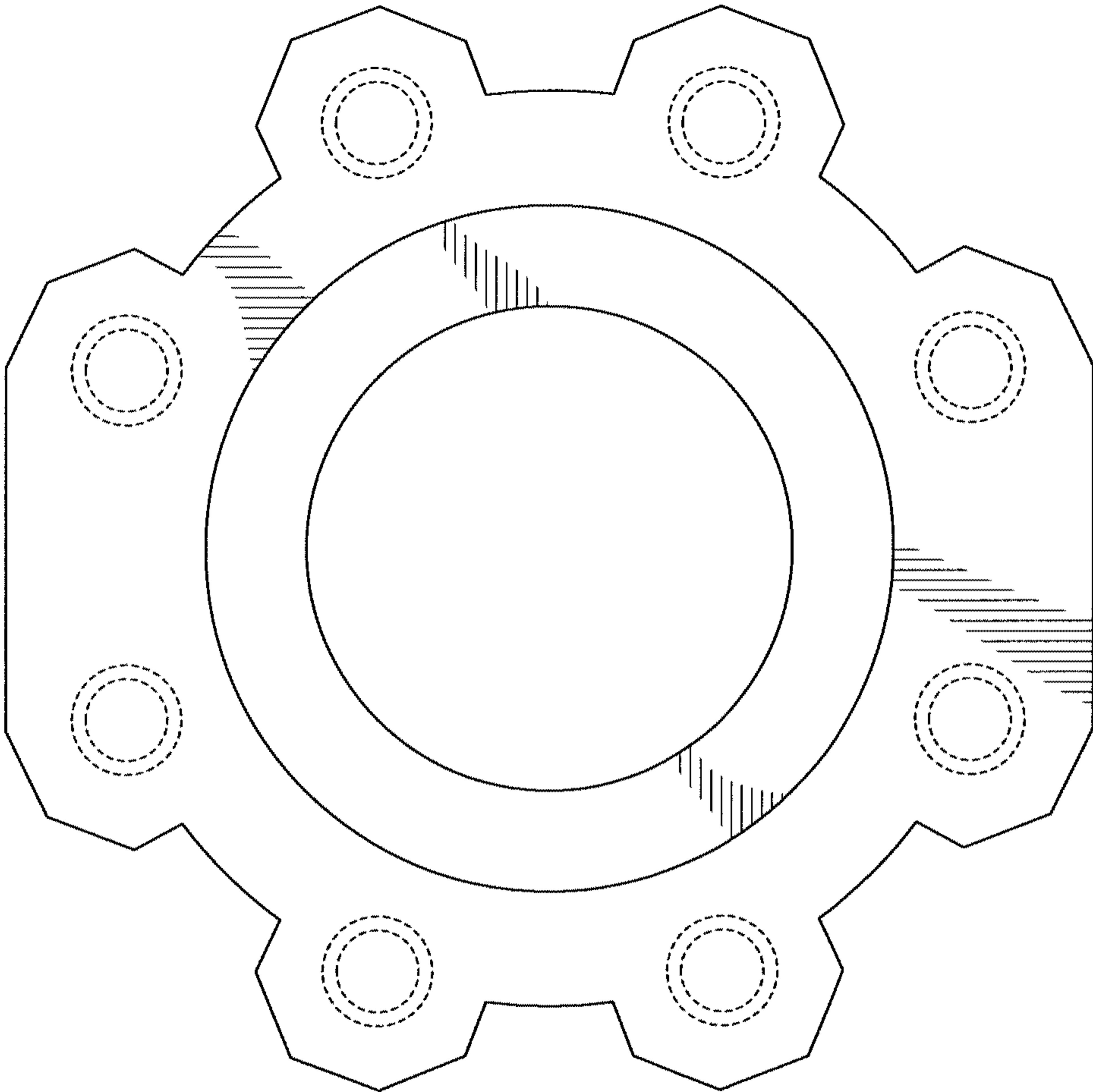


FIG. 3

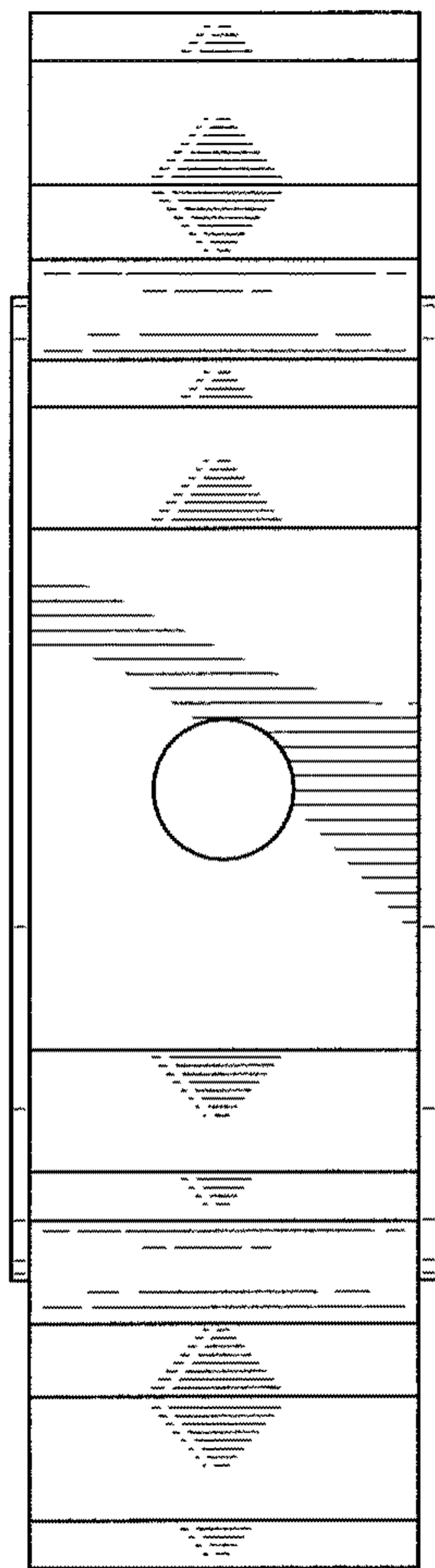


FIG. 4

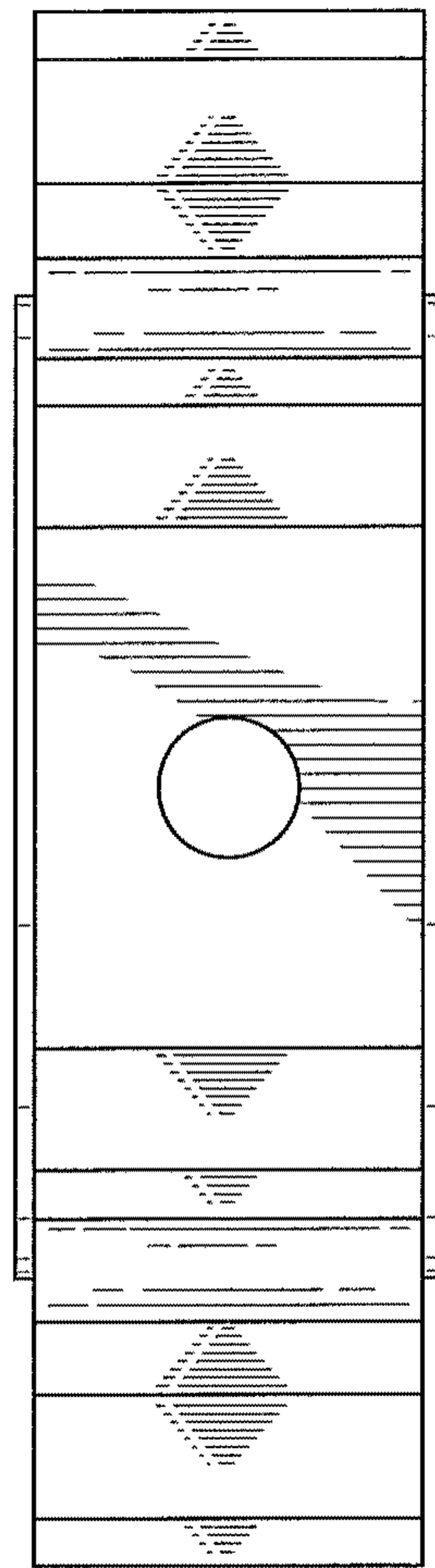


FIG. 5

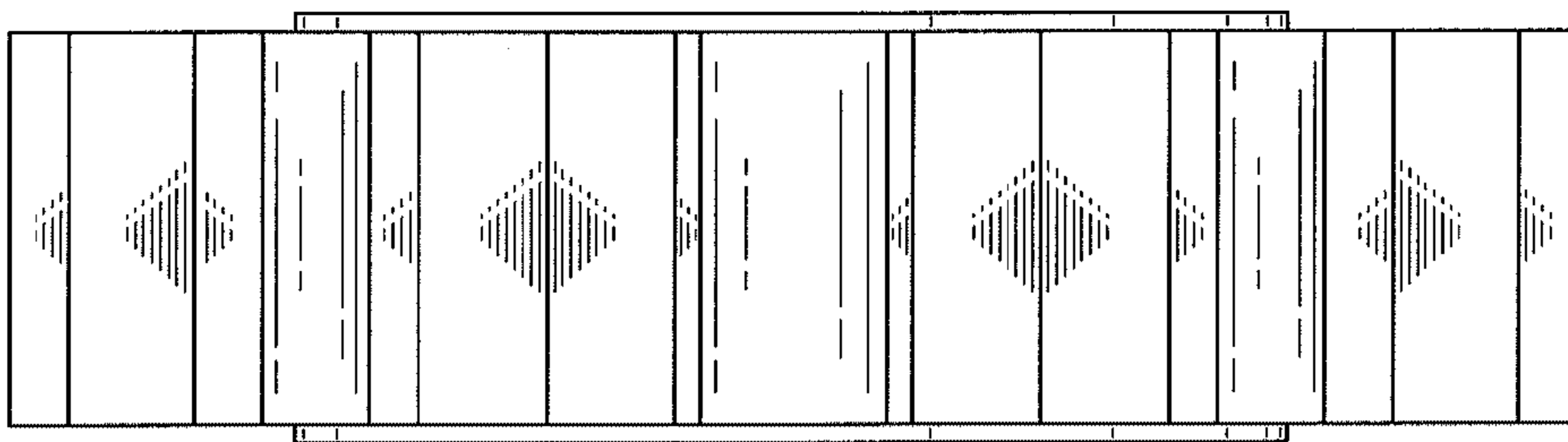


FIG. 6

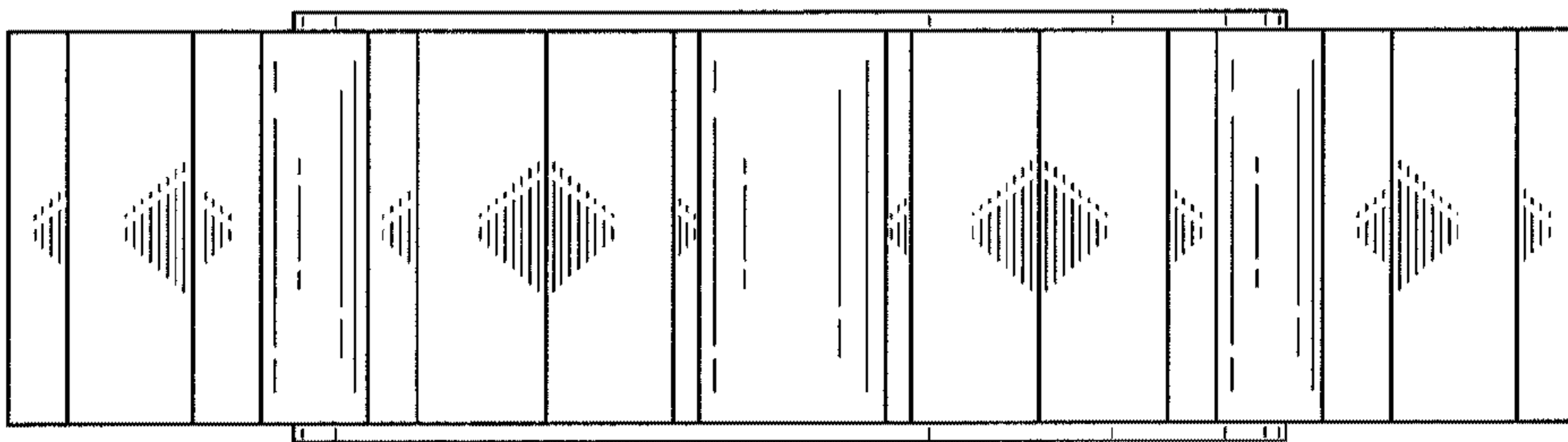


FIG. 7