



US00D755936S

(12) **United States Design Patent**
Blandio et al.

(10) **Patent No.:** **US D755,936 S**
(45) **Date of Patent:** **** May 10, 2016**

(54) **SPOUT COVER**

(71) Applicants: **Paul Blandio**, Commerce, CA (US);
Bombolini Monteagudo, Commerce,
CA (US)

(72) Inventors: **Paul Blandio**, Commerce, CA (US);
Bombolini Monteagudo, Commerce,
CA (US)

(**) Term: **14 Years**

(21) Appl. No.: **29/514,181**

(22) Filed: **Jan. 8, 2015**

(51) **LOC (10) Cl.** **23-01**

(52) **U.S. Cl.**
USPC **D23/257**

(58) **Field of Classification Search**
USPC D23/238, 255, 257, 249; D21/608
CPC A47K 3/005
See application file for complete search history.

(56) **References Cited**

U.S. PATENT DOCUMENTS

3,129,894	A	4/1964	Schermerhorn	
4,353,139	A	10/1982	Wainwright et al.	
D282,563	S	2/1986	Beene	
4,709,429	A *	12/1987	Lerner	A47K 3/005 4/661
D300,555	S *	4/1989	Patterson	D23/249

5,125,577	A	6/1992	Frankel	
D354,550	S	1/1995	Muinoz	
D373,407	S *	9/1996	Macek	D23/255
6,205,598	B1	3/2001	Black et al.	
D465,009	S	10/2002	Siefken	
7,588,197	B2 *	9/2009	Finell	A47K 3/005 222/110
7,818,830	B2	10/2010	Thorne et al.	
D639,383	S *	6/2011	Holbrook	D21/608
8,424,129	B2 *	4/2013	Henderson	A47K 3/005 4/661
D724,183	S *	3/2015	Tomasello	D23/255
2011/0100486	A1	5/2011	Brewton, III et al.	

* cited by examiner

Primary Examiner — Robert Delehanty

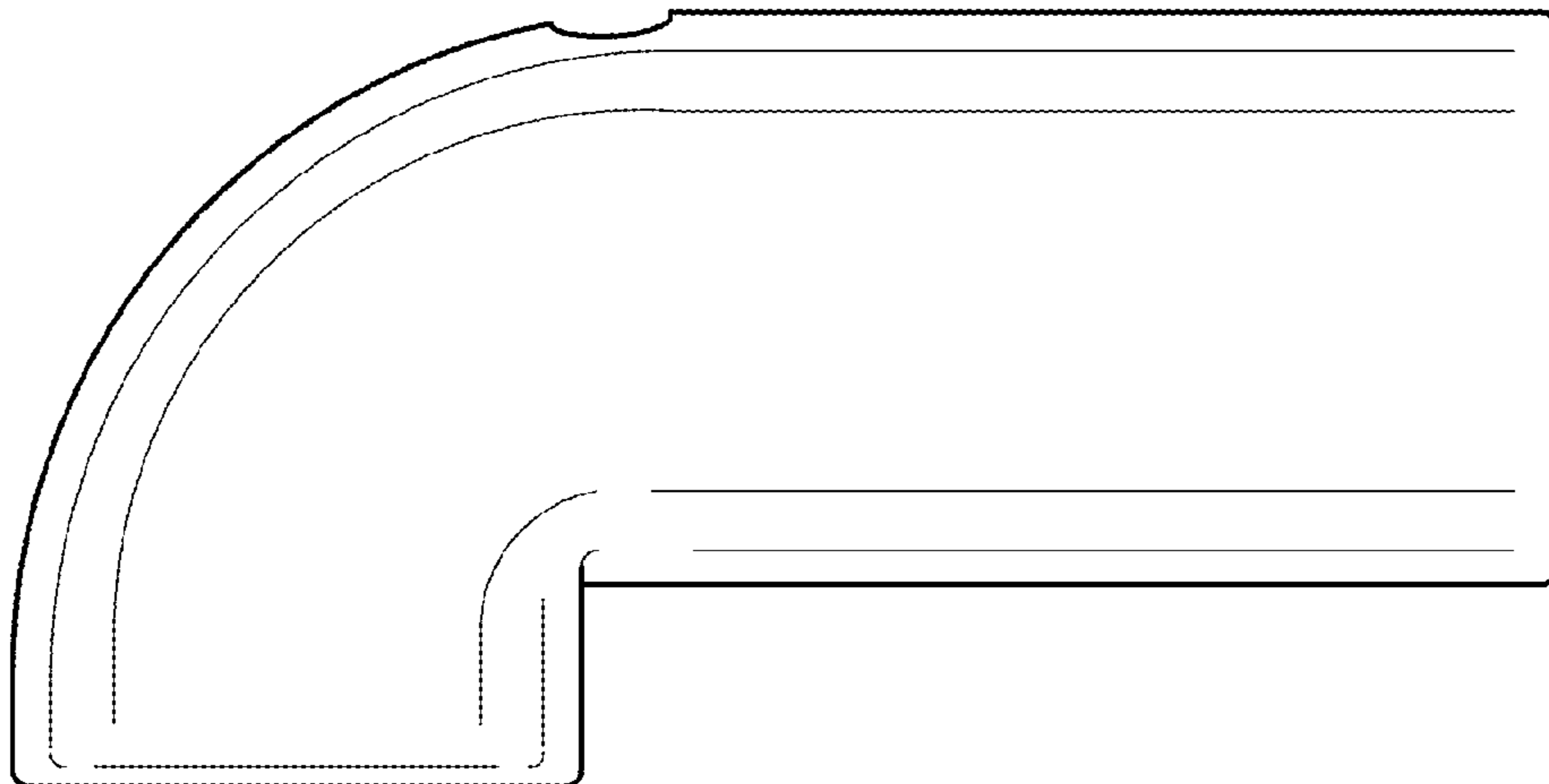
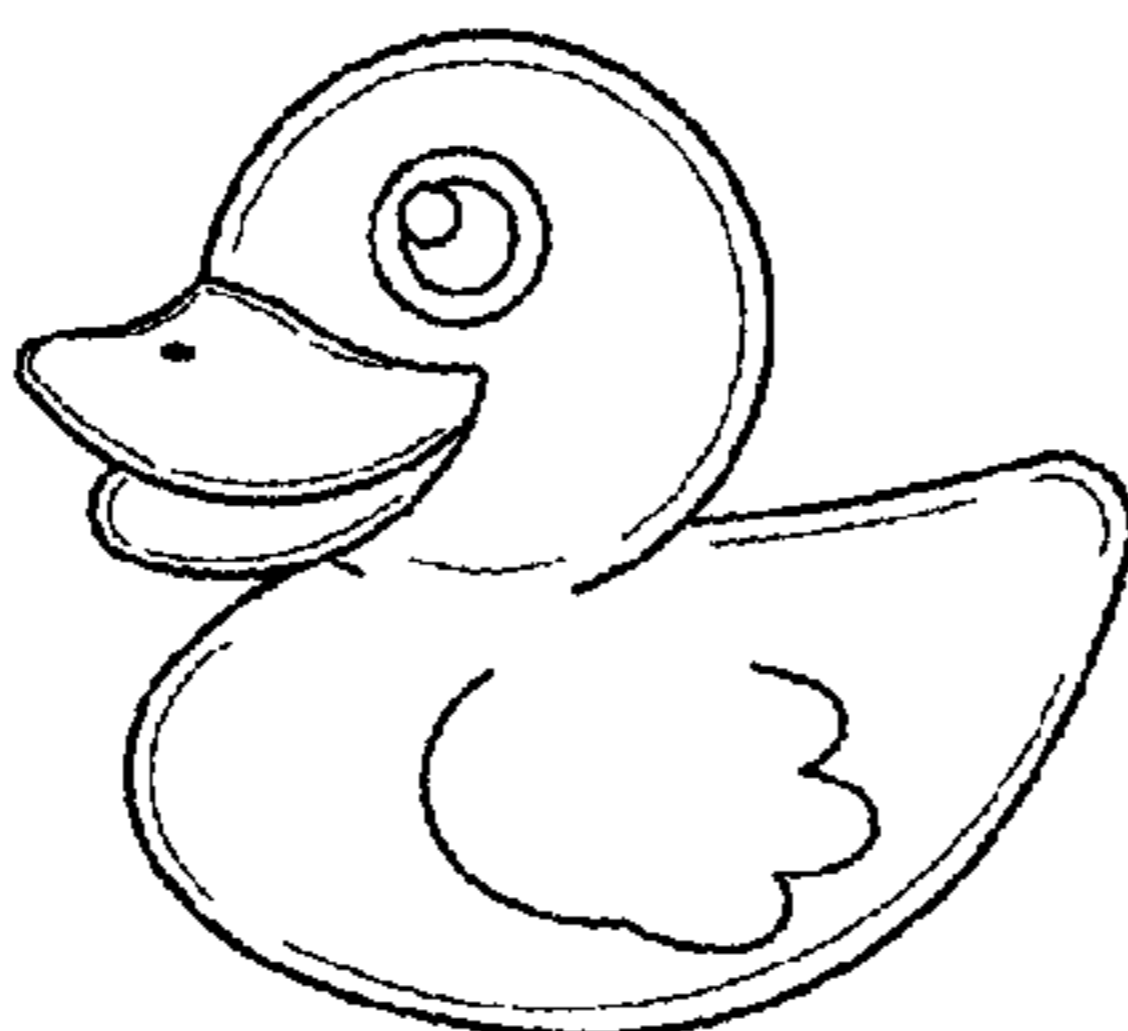
(57) **CLAIM**

The ornamental design for a spout cover, as shown and described.

DESCRIPTION

FIG. 1 is a left side view of a spout cover showing my new design, a right side view being a mirror image thereof; FIG. 2 is a rear view of the spout cover; FIG. 3 is a front view of the spout cover; FIG. 4 is a top view of the spout cover; FIG. 5 is a bottom view of the spout cover; and, FIG. 6 is a top front side perspective view of the spout cover. The broken line showing a spout is included for the purpose of illustrating environment that forms no part of the claimed design.

1 Claim, 5 Drawing Sheets



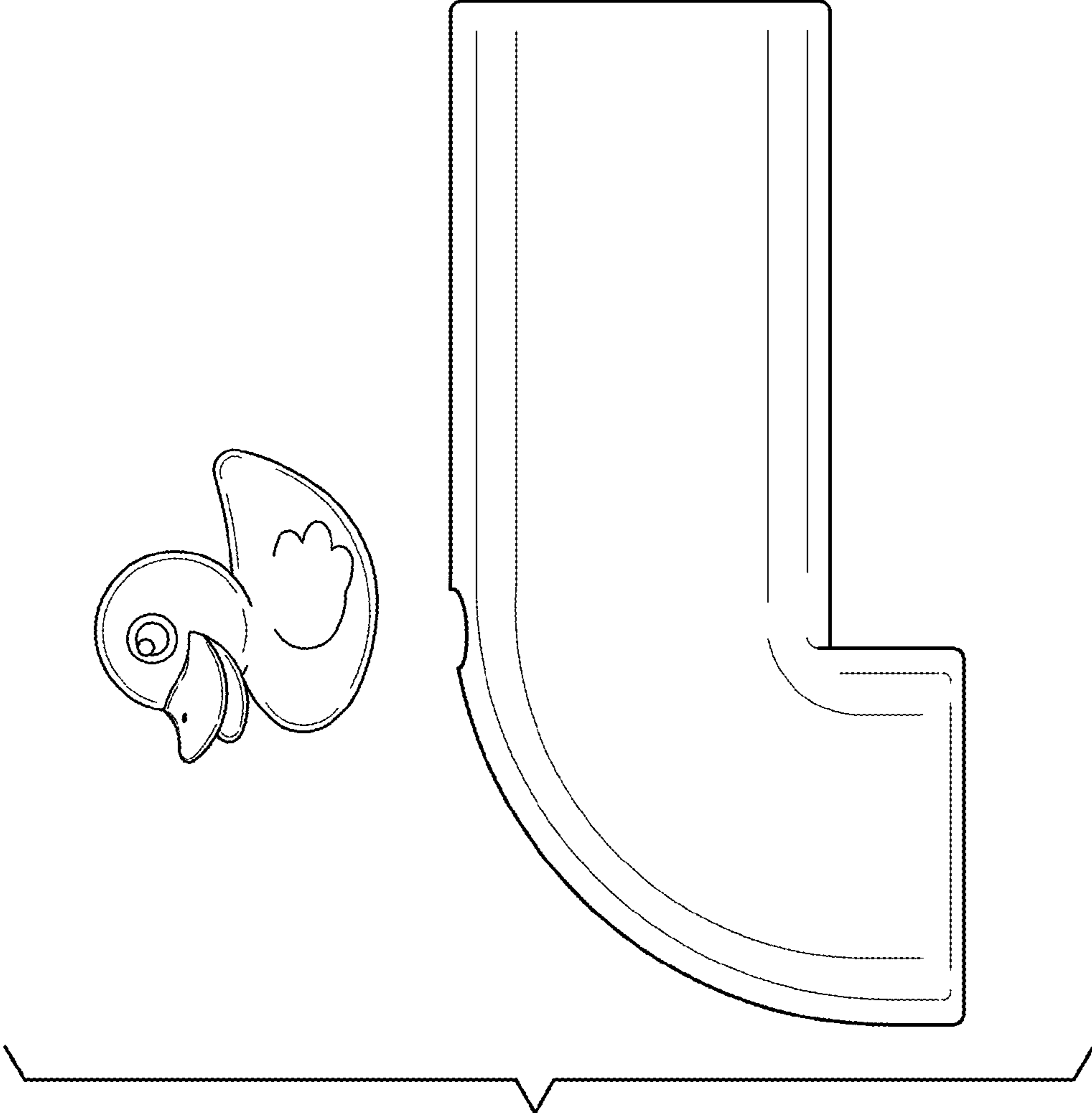


FIG. 1

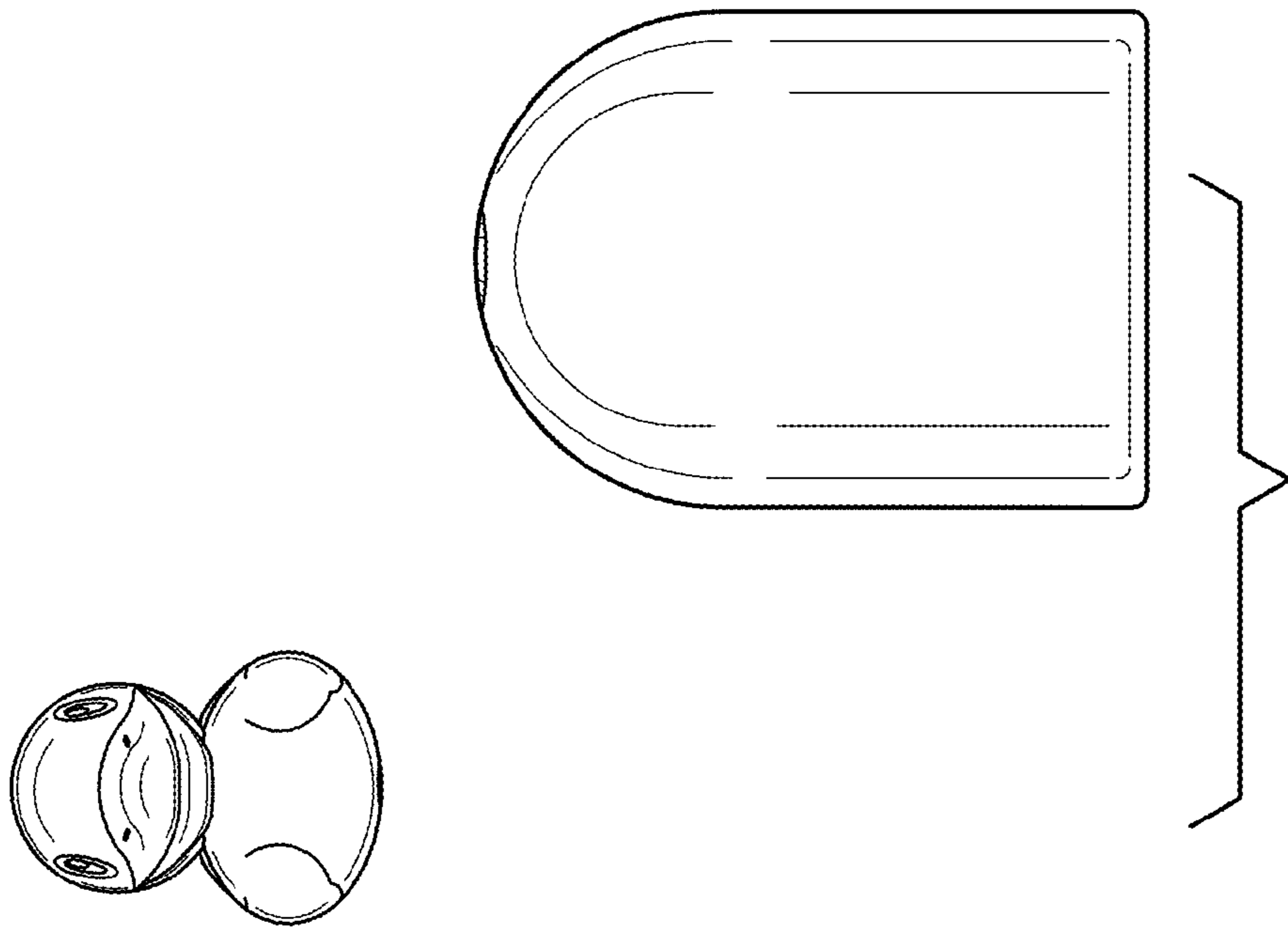


FIG. 2

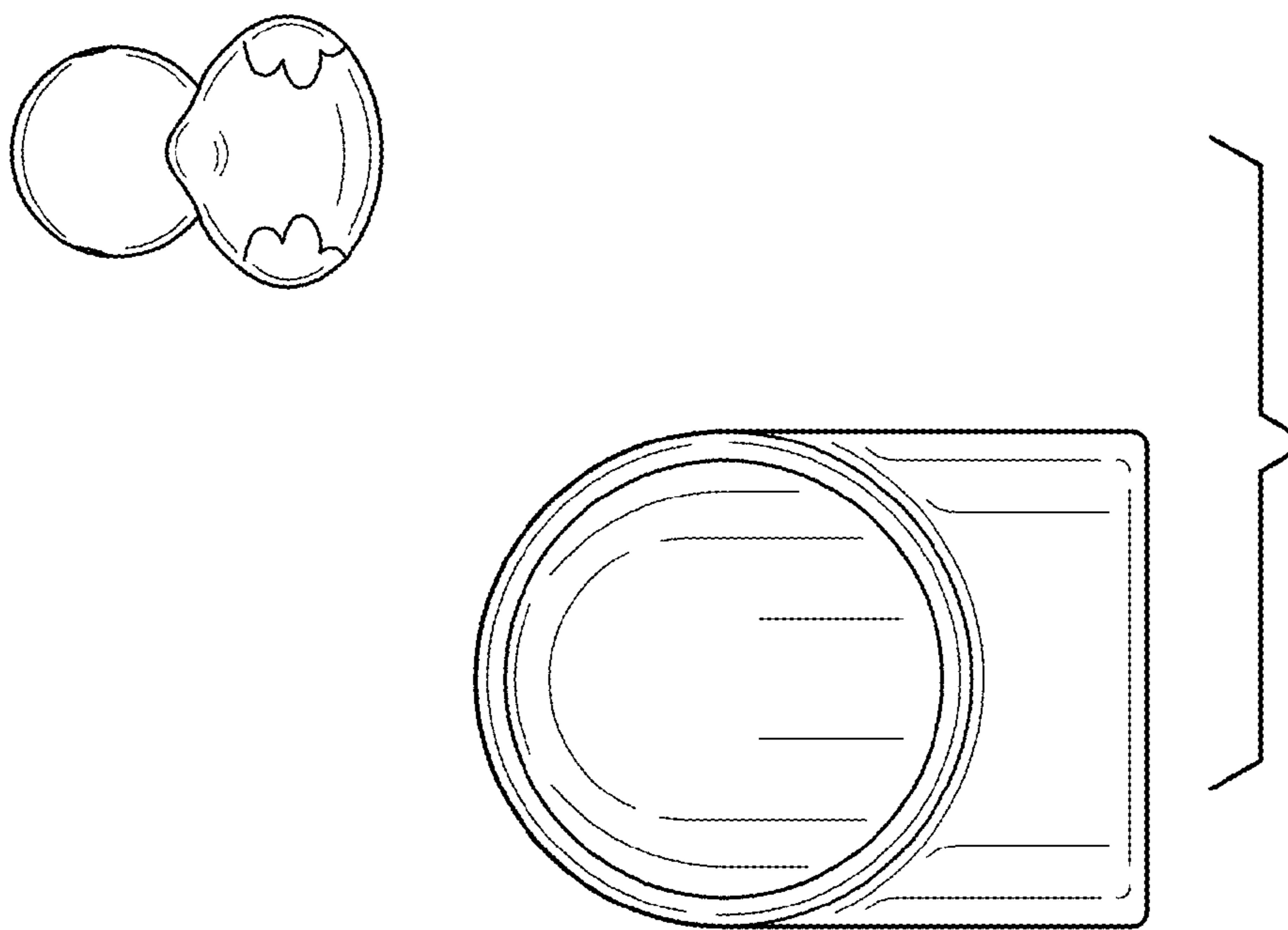


FIG. 3

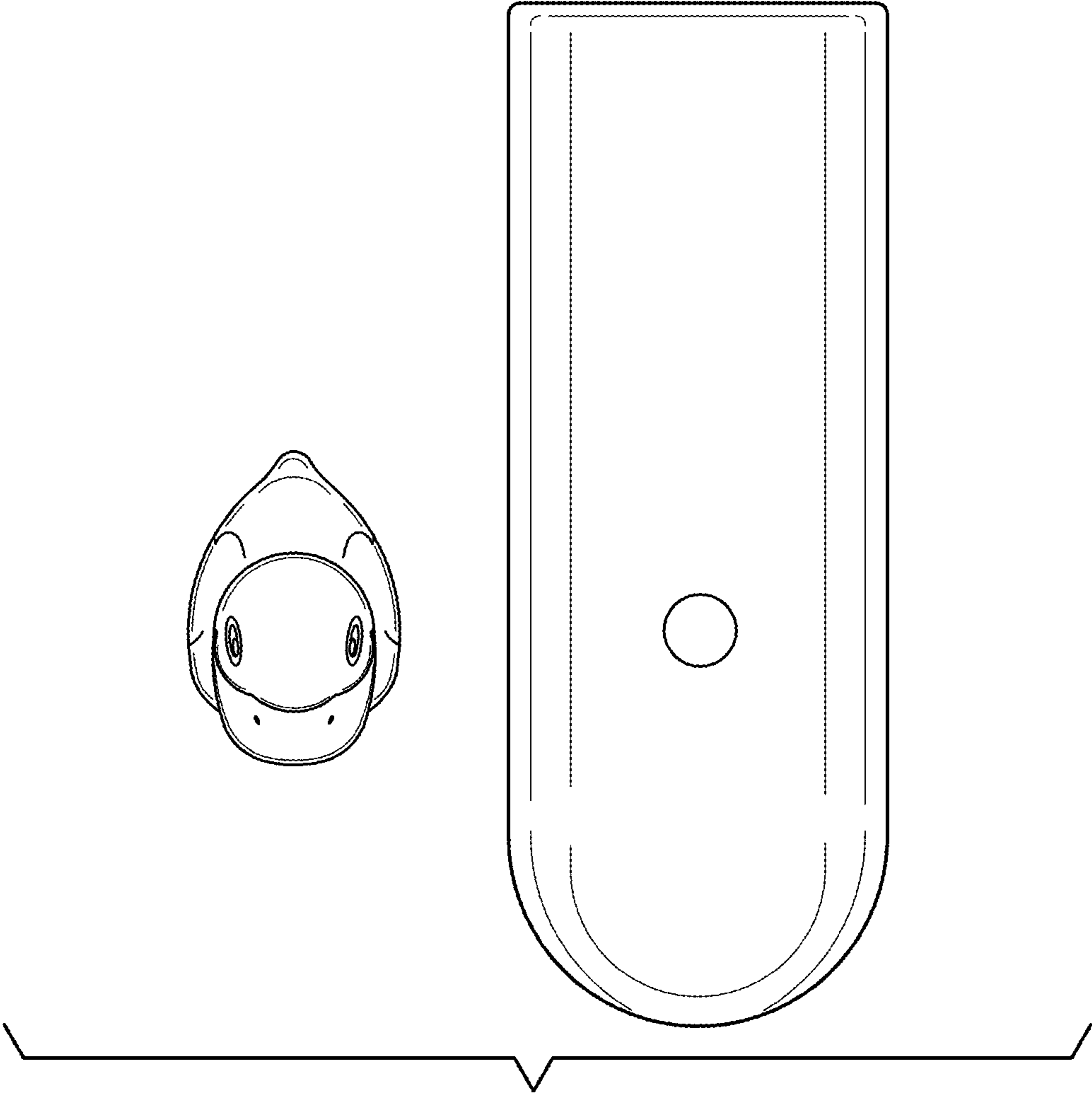


FIG. 4

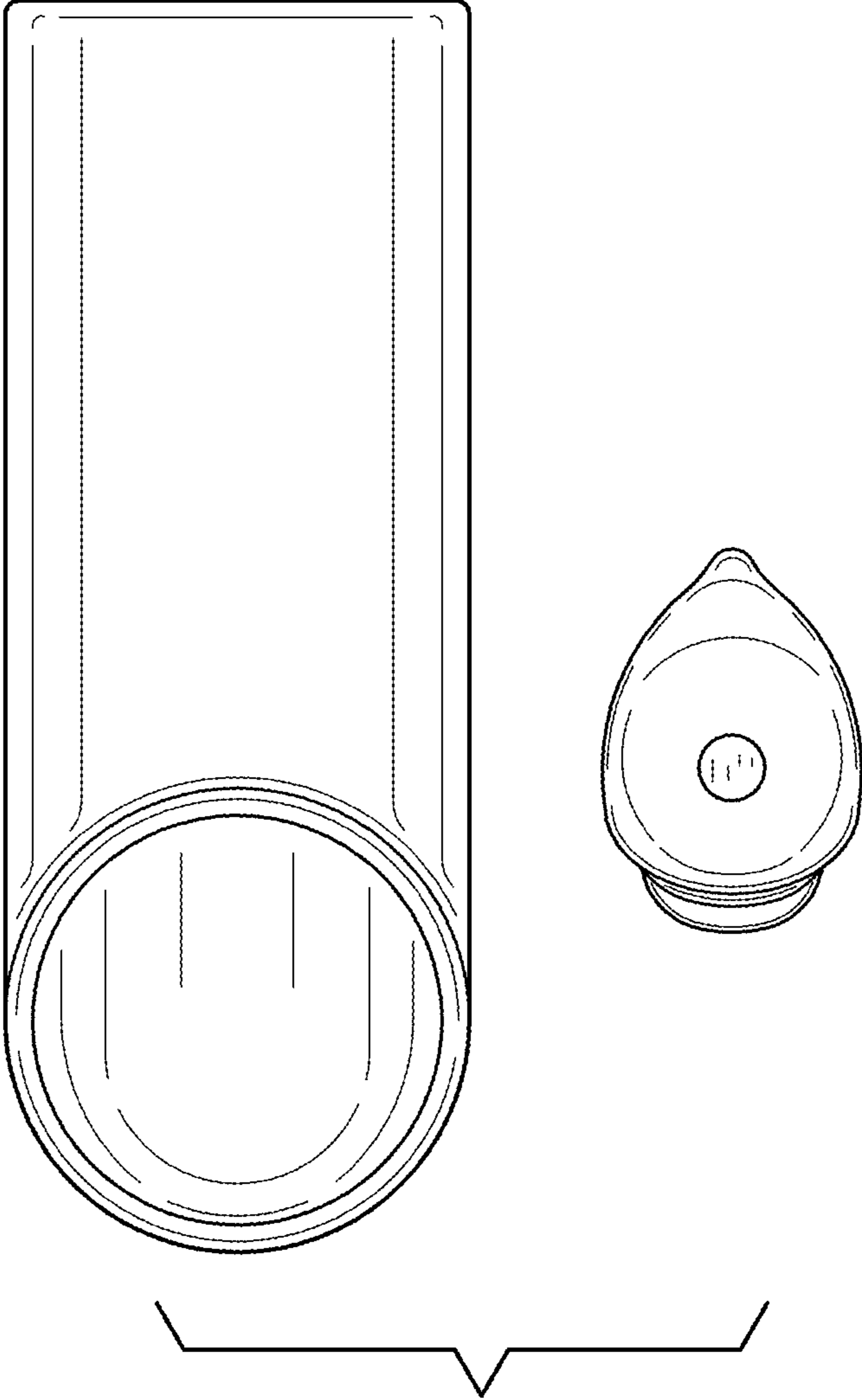


FIG. 5

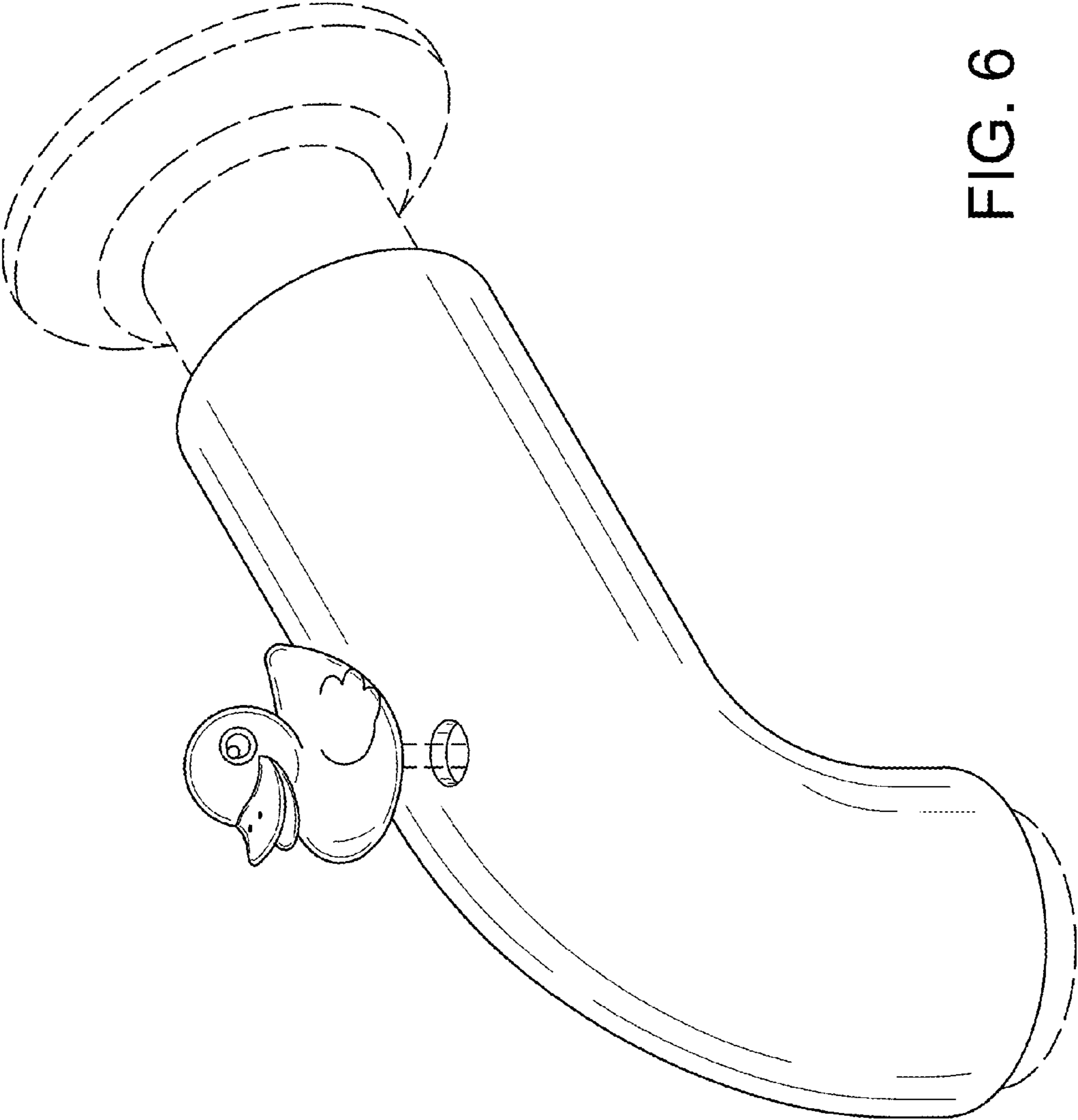


FIG. 6