



US00D755934S

(12) **United States Design Patent**
Flowers et al.

(10) **Patent No.:** **US D755,934 S**
(45) **Date of Patent:** **** May 10, 2016**

(54) **SPOUT**

(71) Applicant: **Grohe AG**, Hemer (DE)
(72) Inventors: **Paul Flowers**, Duesseldorf (DE); **Hans Lobermeier**, Menden (DE)
(73) Assignee: **Grohe AG**, Hemer (DE)
(**) Term: **14 Years**
(21) Appl. No.: **29/513,981**
(22) Filed: **Jan. 7, 2015**

(30) **Foreign Application Priority Data**

Jul. 8, 2014 (EM) 002498253-0024

(51) **LOC (10) Cl.** **23-01**

(52) **U.S. Cl.**
USPC **D23/255**

(58) **Field of Classification Search**
USPC D23/238, 241-243, 257
CPC E03C 1/04; E03C 1/0401; E03C 1/0402;
E03C 1/0404

See application file for complete search history.

(56) **References Cited**

U.S. PATENT DOCUMENTS

D541,907 S * 5/2007 Qing D23/238
D693,438 S * 11/2013 Flowers D23/238

* cited by examiner

Primary Examiner — Robert Delehanty

(74) *Attorney, Agent, or Firm* — Muncy, Geissler, Olds & Lowe, P.C.

(57) **CLAIM**

The ornamental design for a spout, as shown and described.

DESCRIPTION

FIG. 1 is a front perspective view of a spout according to the present invention.

FIG. 2 is a left side view of the spout of FIG. 1.

FIG. 3 is a right side view of the spout of FIG. 1.

FIG. 4 is a top view of the spout of FIG. 1.

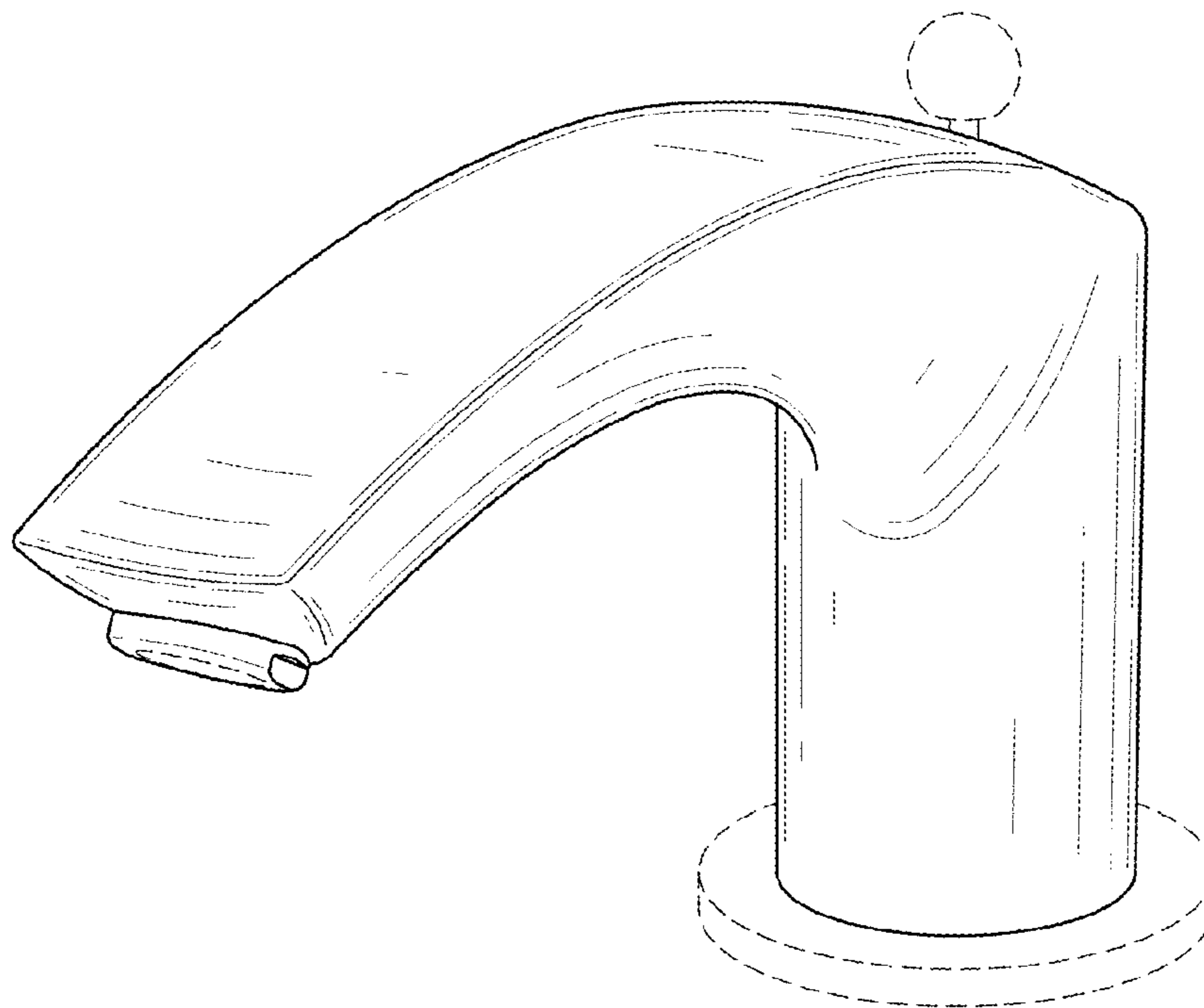
FIG. 5 is a bottom view of the spout of FIG. 1.

FIG. 6 is a front view of the spout of FIG. 1; and,

FIG. 7 is a rear view of the spout of FIG. 1.

The dashed lines illustrate environment that does not form a part of the present invention, and no claim is made to the material illustrated with dashed lines.

1 Claim, 7 Drawing Sheets



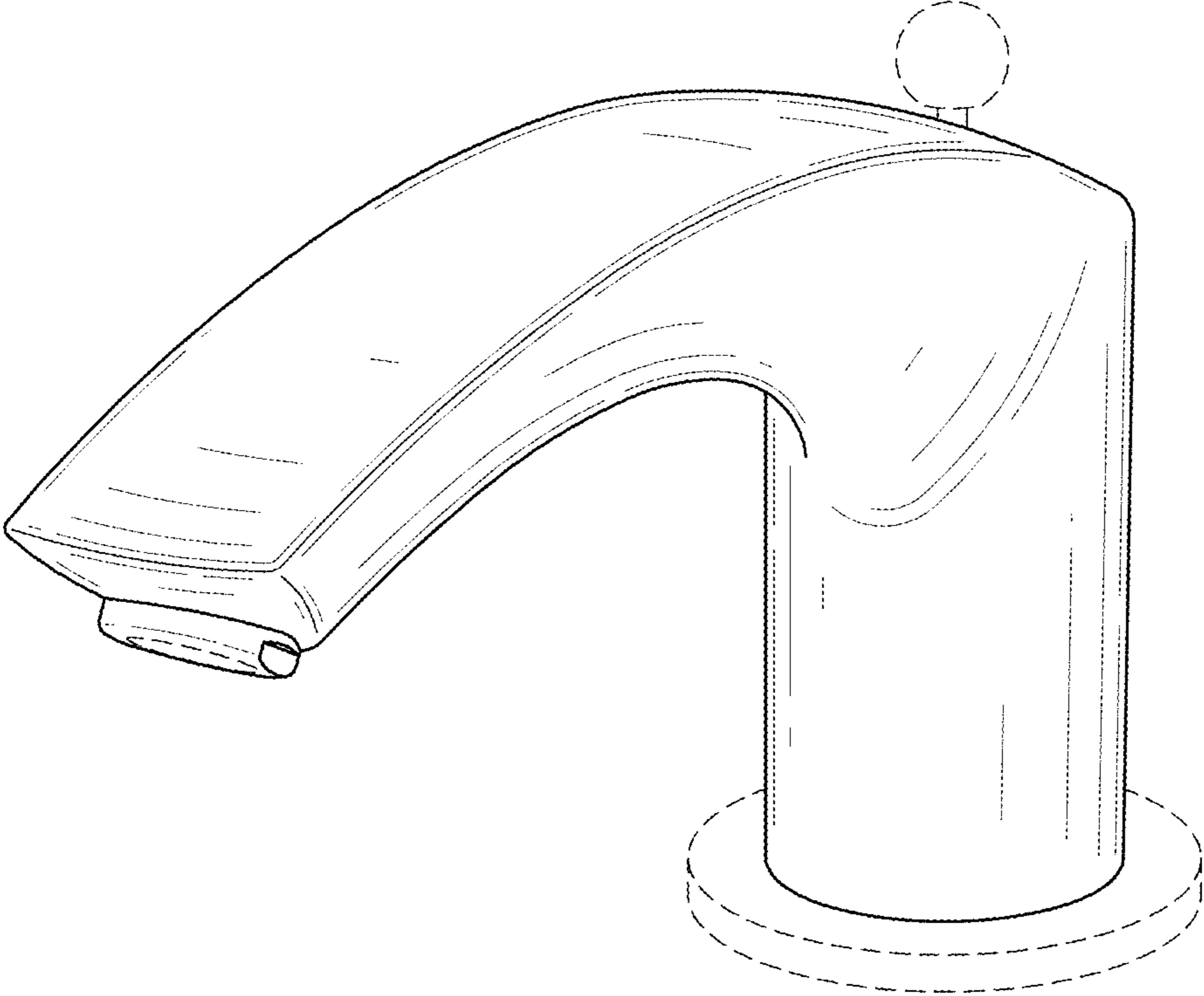


FIG.1

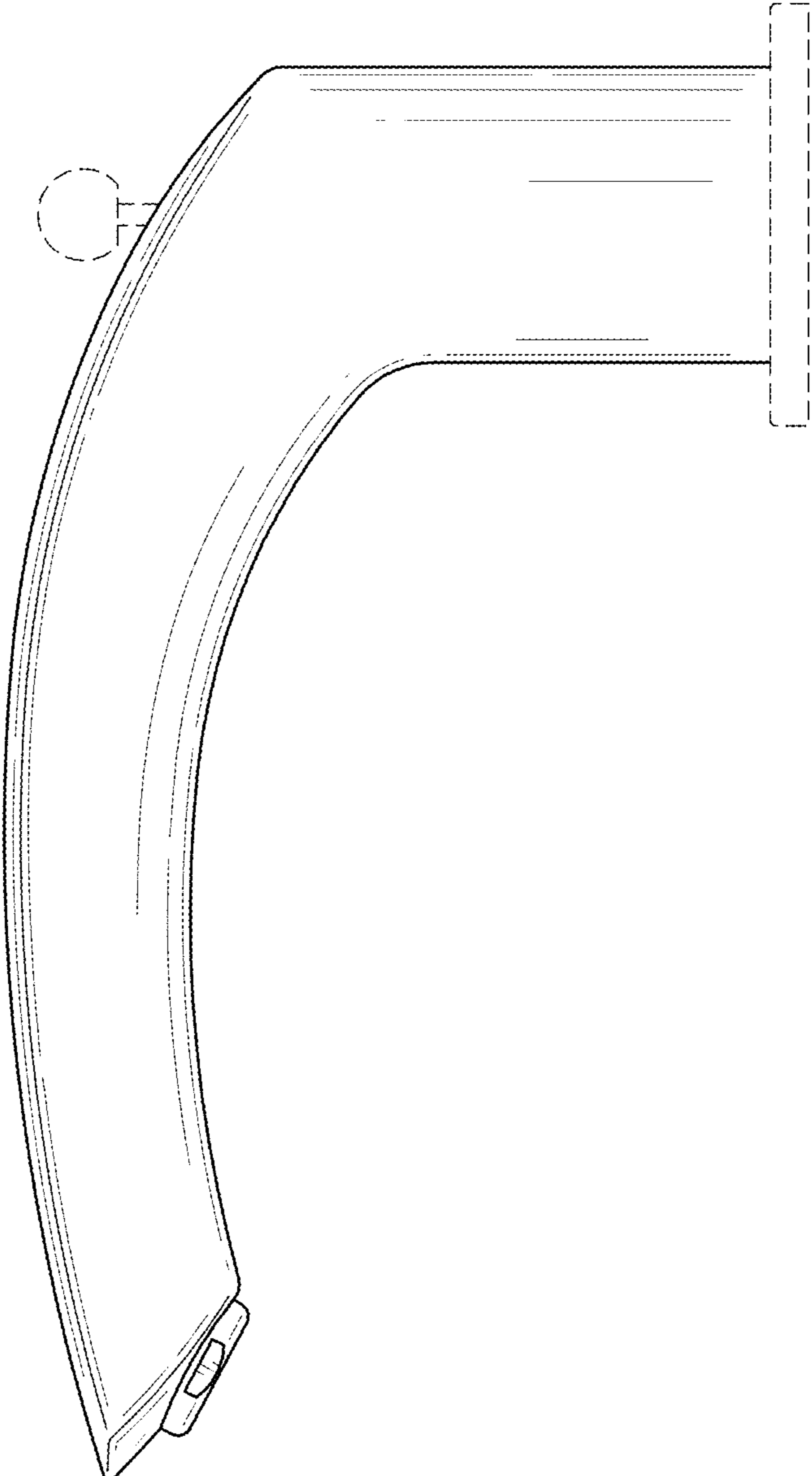


FIG.2

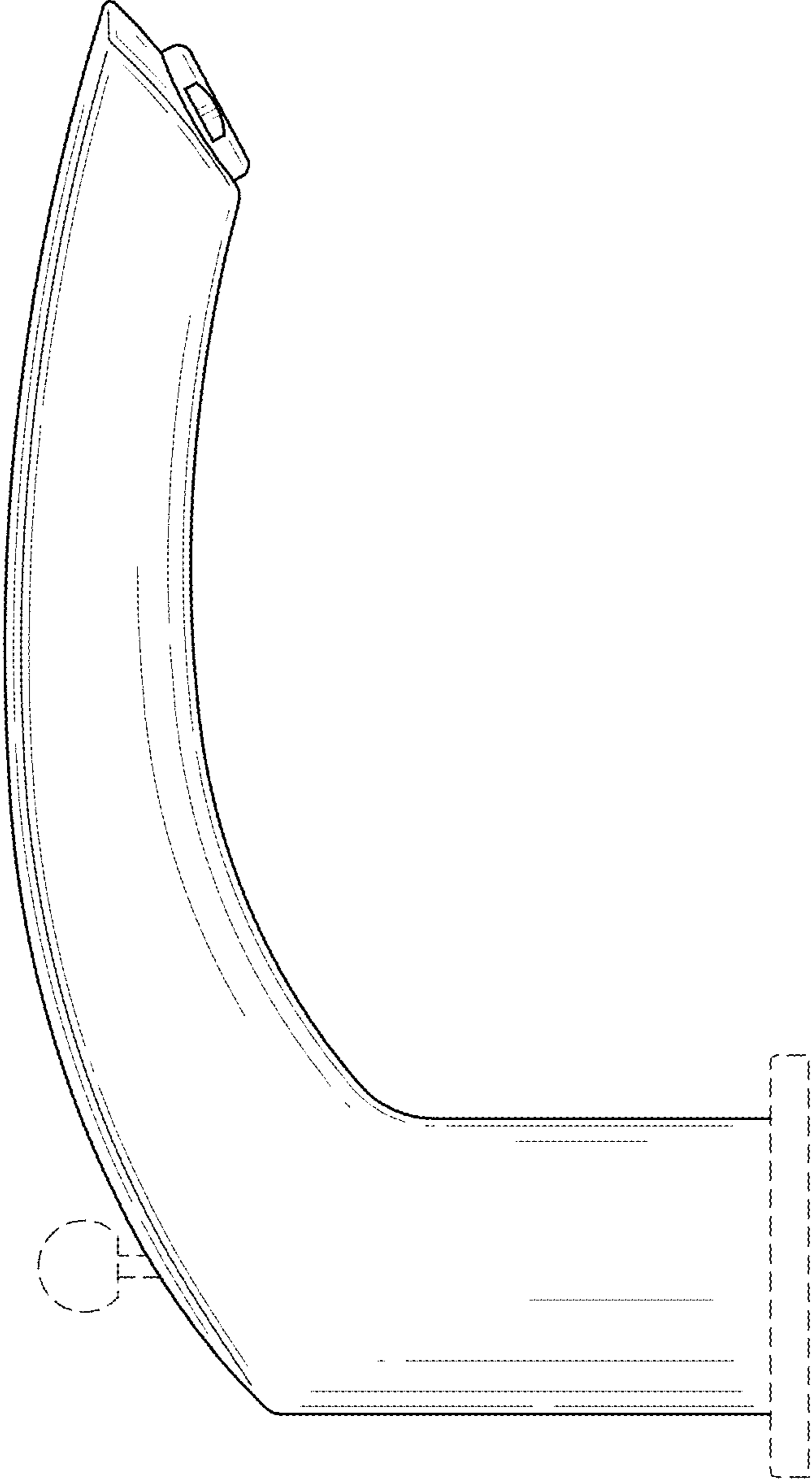


FIG.3

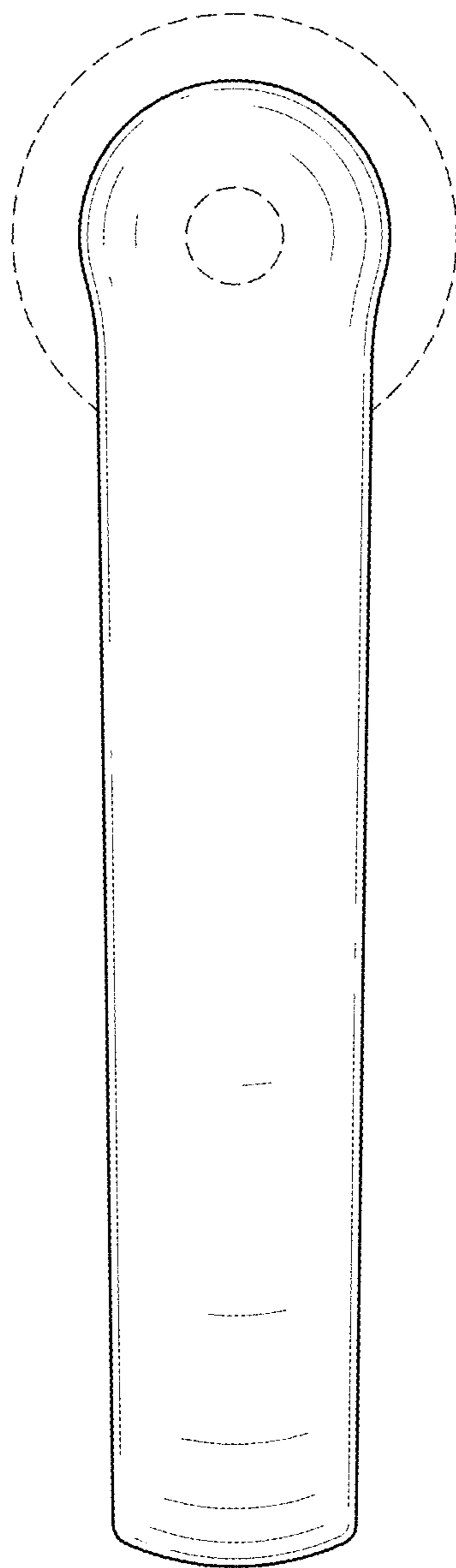


FIG.4

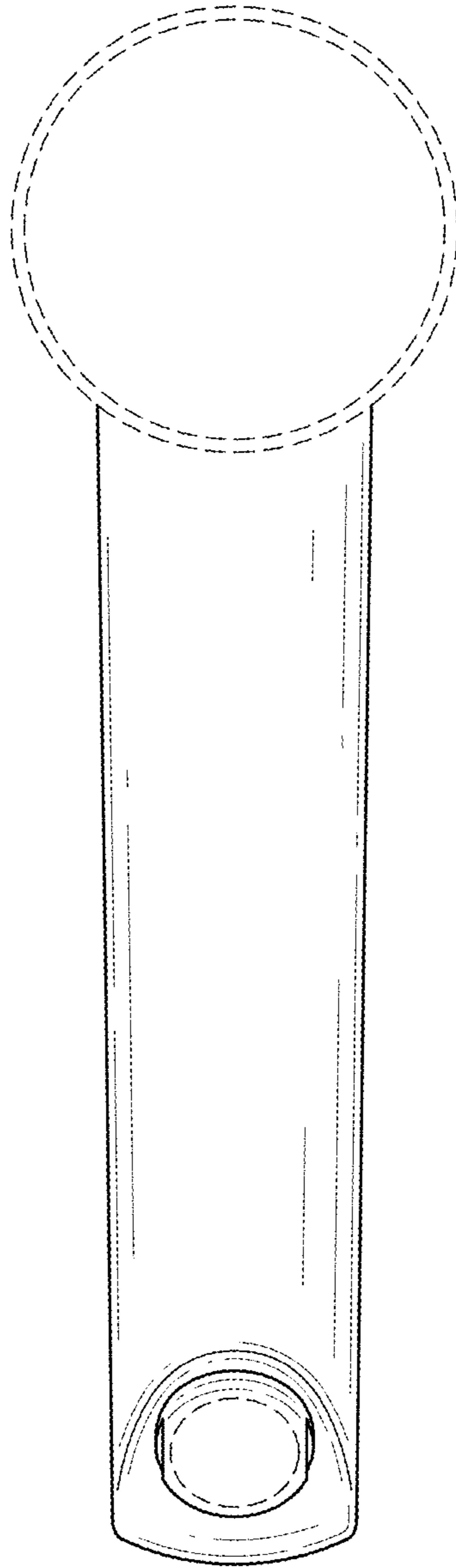


FIG.5

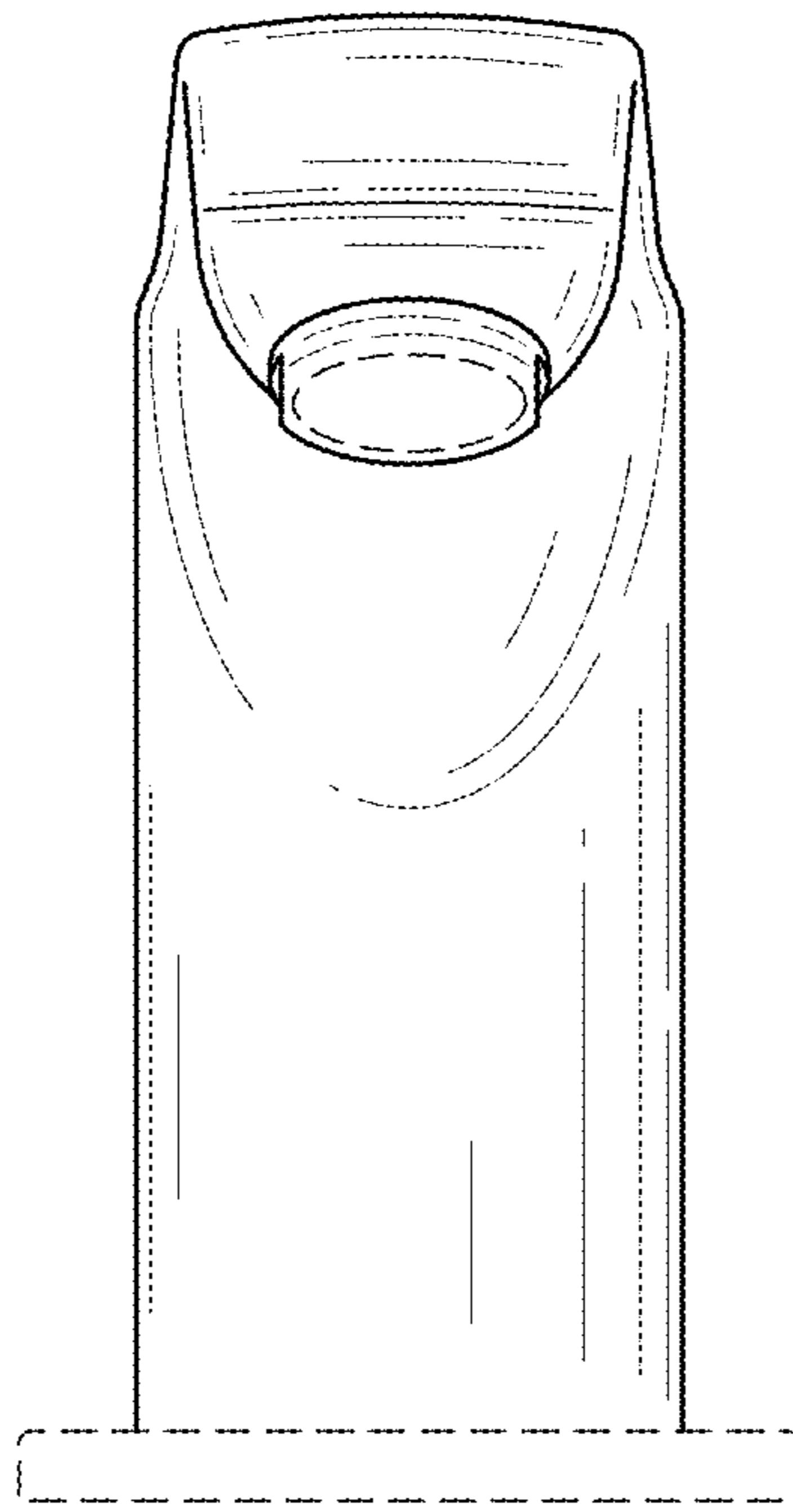


FIG.6

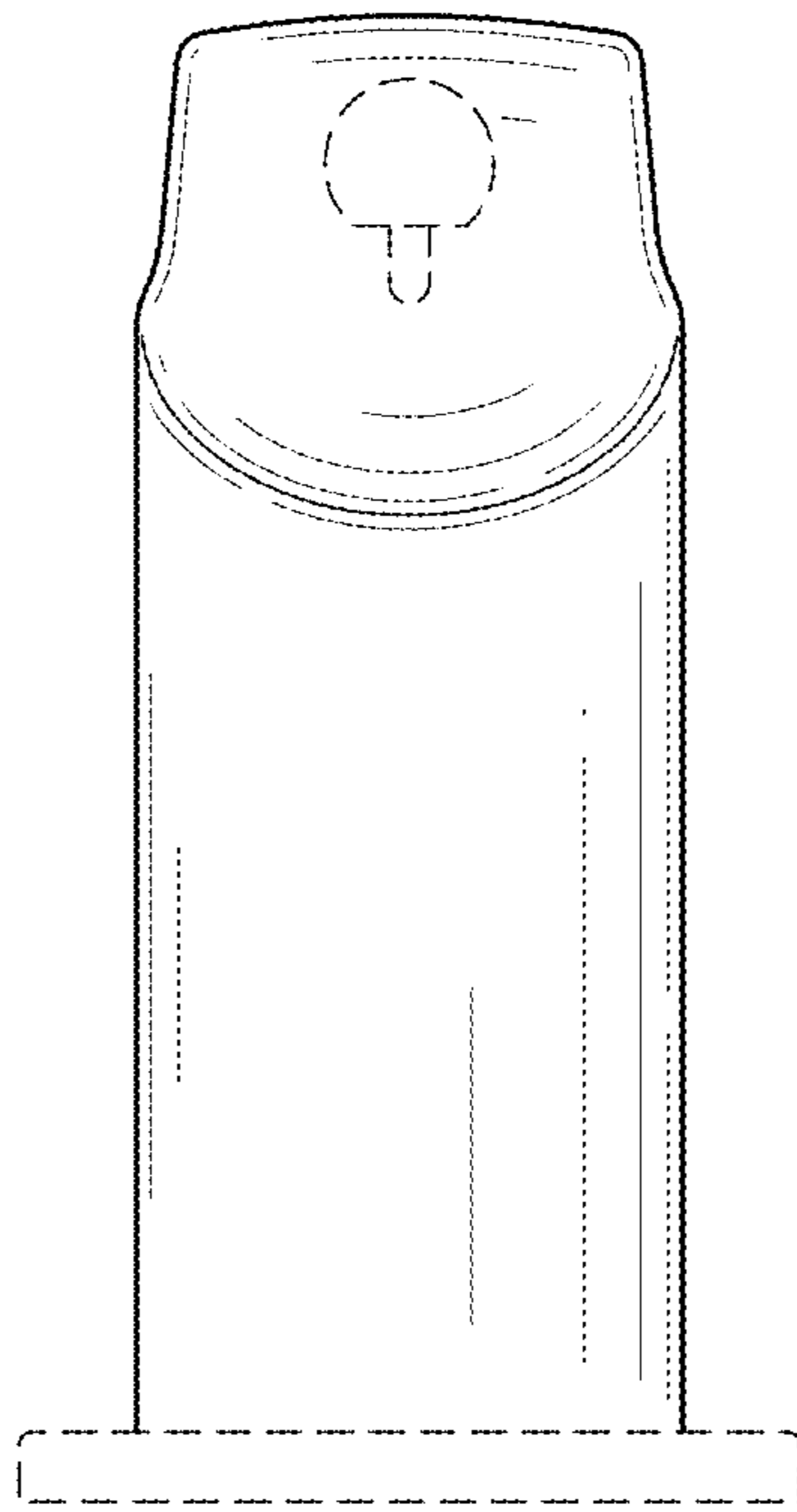


FIG. 7