



US00D755933S

(12) **United States Design Patent**
Lord

(10) **Patent No.:** **US D755,933 S**
(45) **Date of Patent:** **** May 10, 2016**

(54) **FAUCET SPOUT**

(71) Applicant: **Delta Faucet Company**, Indianapolis, IN (US)

(72) Inventor: **Judd Lord**, McCordsville, IN (US)

(73) Assignee: **DELTA FAUCET COMPANY**, Indianapolis, IN (US)

(**) Term: **14 Years**

(21) Appl. No.: **29/513,827**

(22) Filed: **Jan. 6, 2015**

(51) **LOC (10) Cl.** **23-01**

(52) **U.S. Cl.**
USPC **D23/255**

(58) **Field of Classification Search**
USPC D23/238, 241–243, 249–250, 252, 253, 254–255, 257
CPC E03C 1/04; E03C 1/0401; E03C 1/0402; E03C 1/0404

See application file for complete search history.

(56) **References Cited**

U.S. PATENT DOCUMENTS

D314,040 S *	1/1991	Heieck	D23/238
D517,652 S *	3/2006	Egli	D23/238
D534,245 S *	12/2006	Egli	D23/238
D574,063 S *	7/2008	Tsai	D23/255
D639,394 S *	6/2011	Citterio	D23/238
D734,433 S *	7/2015	Sieger	D23/238

* cited by examiner

Primary Examiner — Robert Delehanty

(74) *Attorney, Agent, or Firm* — Edgar A. Zarins; Nirav D. Parikh

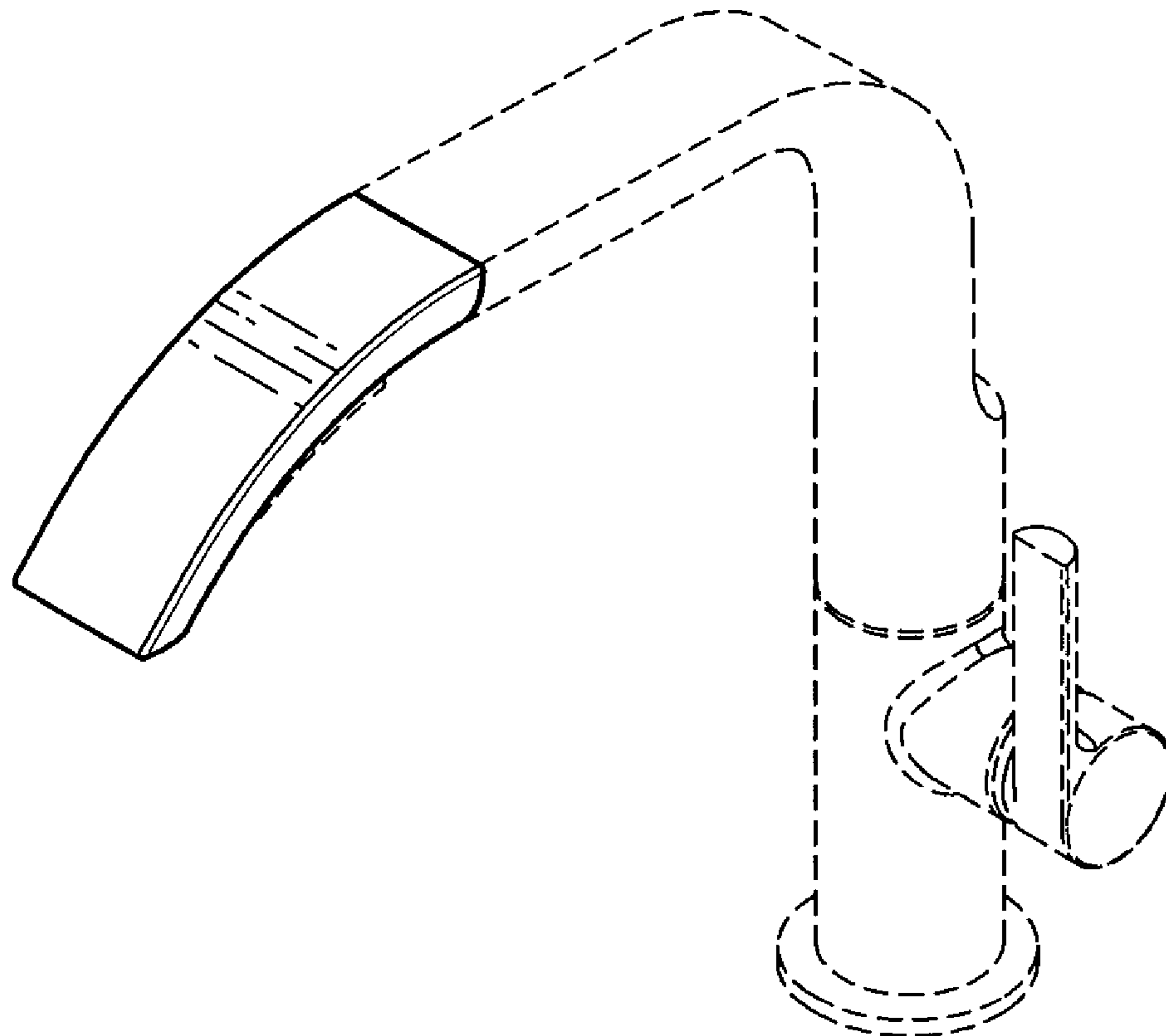
(57) **CLAIM**

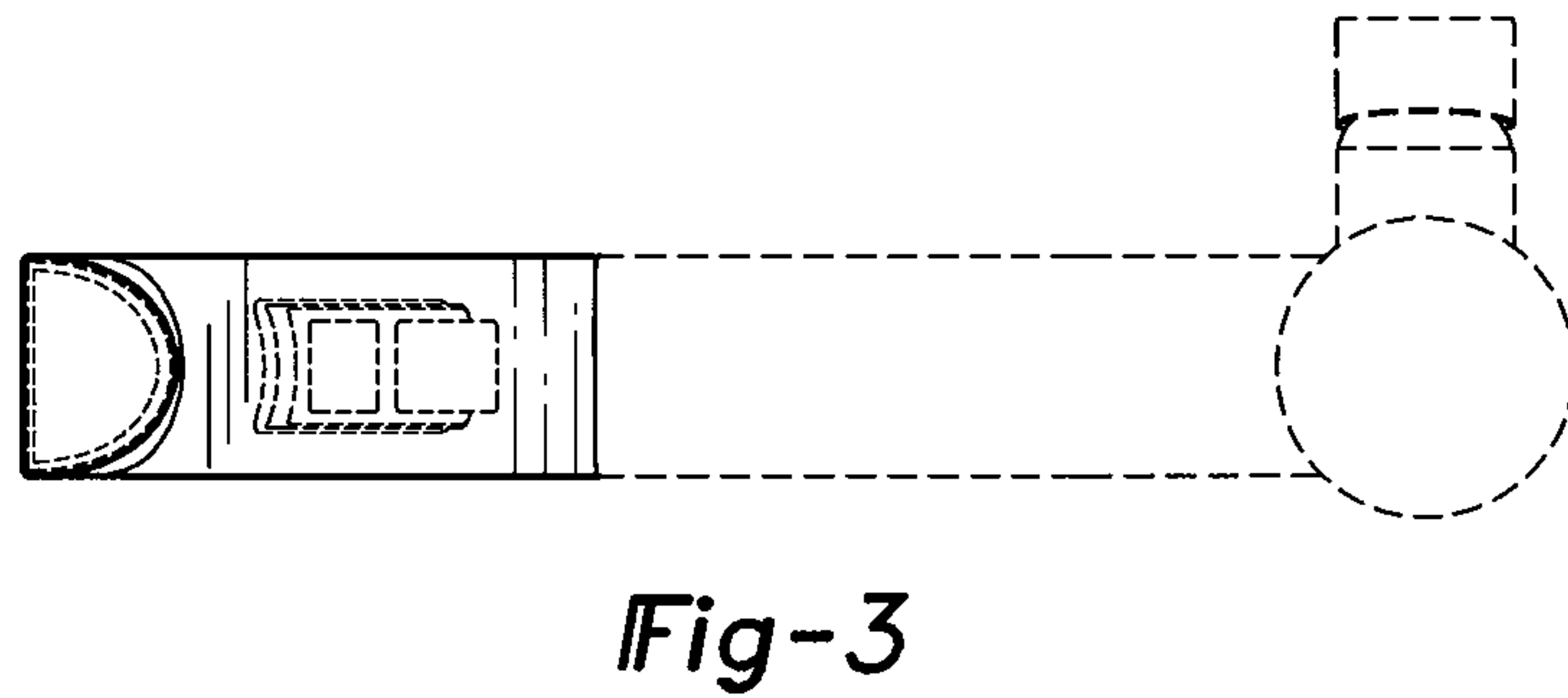
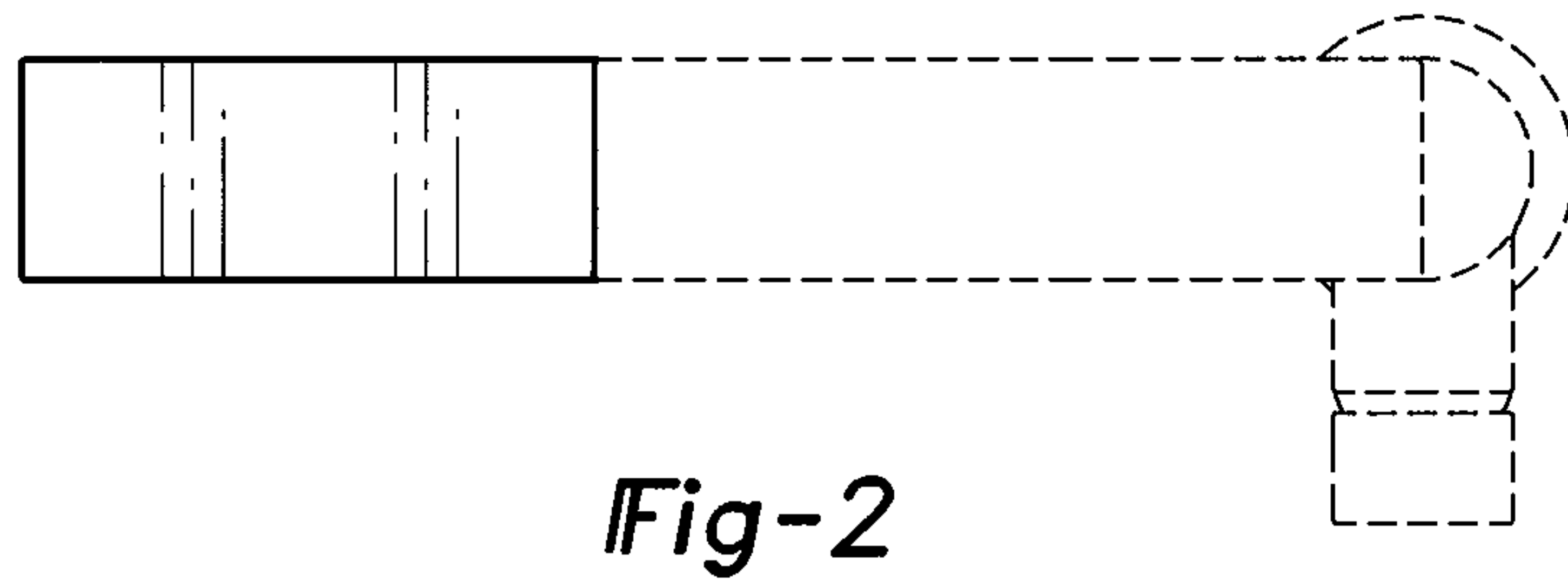
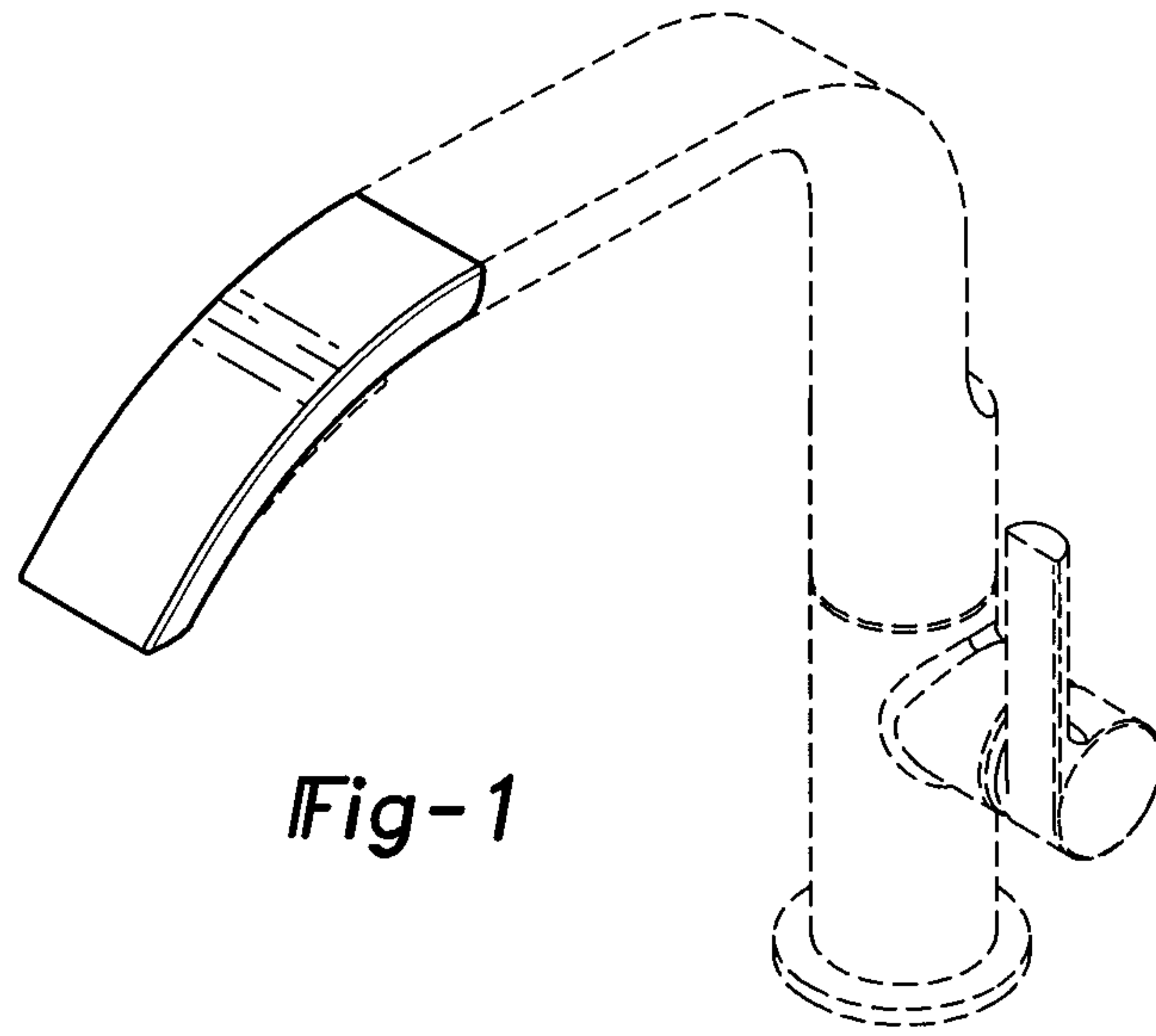
The ornamental design for a faucet spout, as shown and described.

DESCRIPTION

FIG. 1 is a perspective view of a faucet spout showing my new design;
FIG. 2 is a top plan view thereof;
FIG. 3 is a bottom view thereof;
FIG. 4 is a front elevational view thereof;
FIG. 5 is a left side view thereof; and,
FIG. 6 is a right side view thereof.

1 Claim, 2 Drawing Sheets





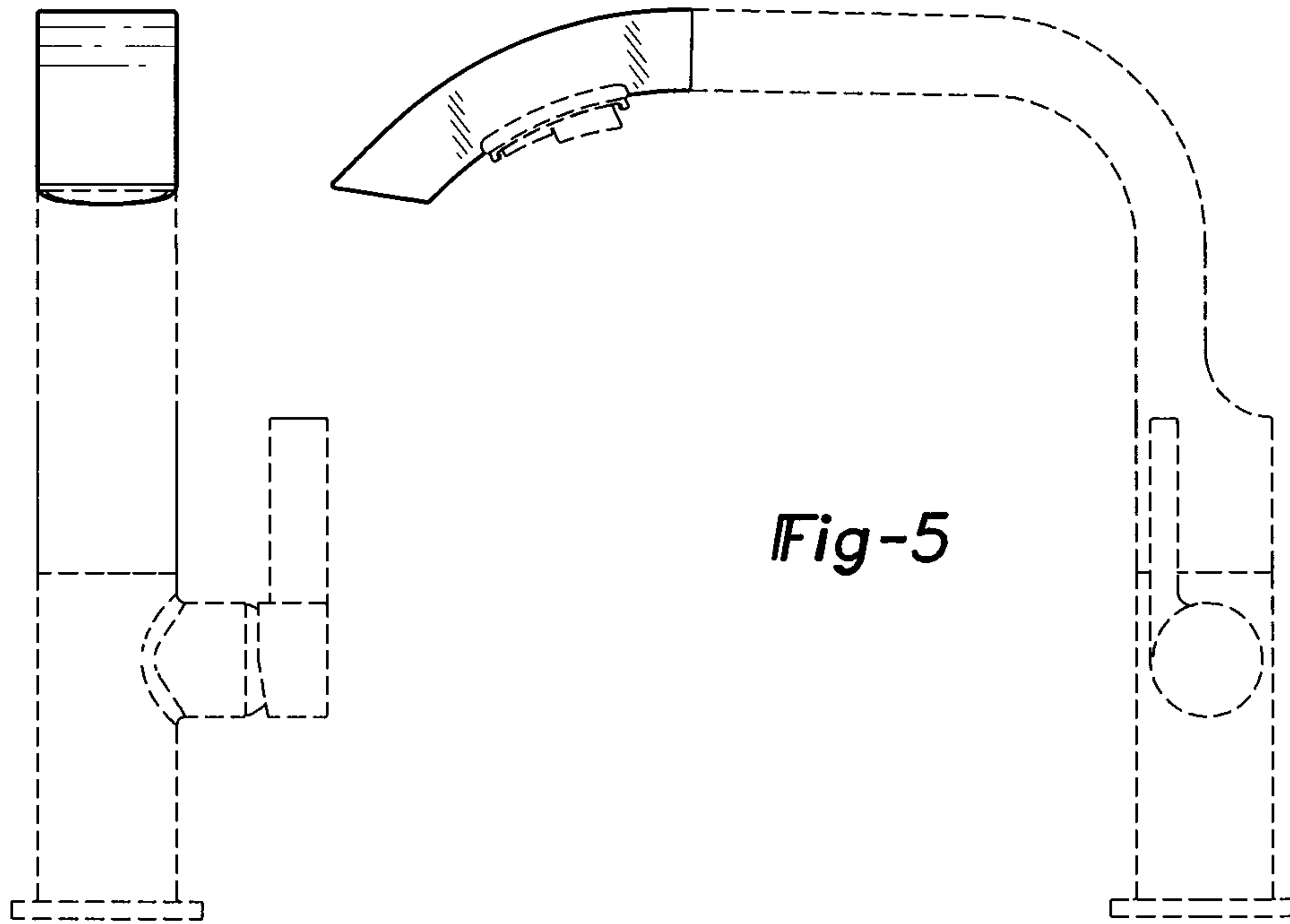


Fig-4

Fig-5

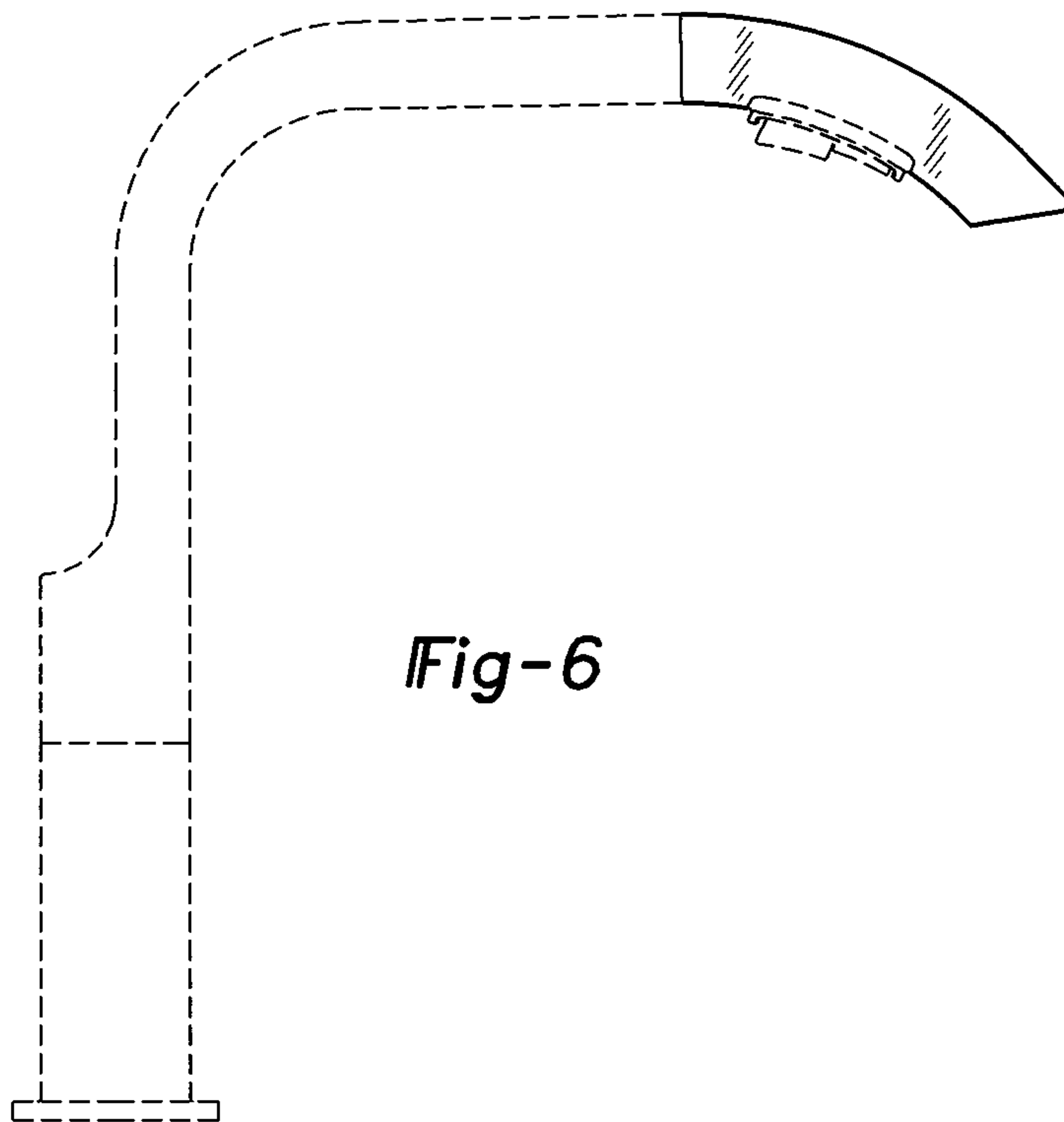


Fig-6